

V-Mic D3

Directional Condenser Shotgun Microphone

Product Manual

English

Foreward

Thank you for purchasing the DEITY V-Mic D3.

Instructions

- Please read this product manual carefully.
- Keep this product manual. Always include this product manual when passing the products on to third parties.
- Heed all warnings and follow all instructions in this product manual.

WARNING: Do not place the product in a place where there are corrosive chemicals to protect the product from corrosion, corrosion may cause the product to malfunction.

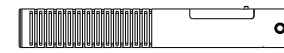
- Use only a microfiber and dry cloth for cleaning the product.
- Operate carefully to not cause any damage by dropping or physical shocking it.
- Keep all liquids away from the product. Liquids entering the product can short-circuit the electronics or damage the mechanics.
- Keep storing the product in a dry, clean, dust-free environment.
- Please have the product checked by the authorized service or agent if your product has some problems. Please note that this warranty does not apply to repair arising out of the malfunction of unauthorized disassembly, although you may request such repairs on a chargeable basis.
- The product is certified by RoHS and CE. Please operate the product in compliance with the operation standards. Please note that this warranty does not apply to repair arising out of the malfunction, although you may request such repairs on a chargeable basis.
- The instructions and information in this manual are based on thorough, controlled company testing procedures. Further notice will not be given if the design and specifications change.

Intended Use

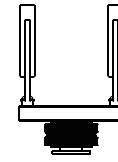
- Intended use of the DEITY V-Mic D3 includes:
- The user has read the instructions of this manual.
 - The user is using the products within the operating conditions and limitations described in this product manual.
 - "Improper use" means using the products other than as described in these instructions or under operating conditions which differ from those described herein.

Item Check List

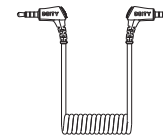
Package includes the following items:



Condenser microphone (1 pc)



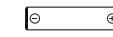
Rycote suspension shockmount (1 pc)



TRRS coiled audio cable (1 pc)



Windscreen (1 pc)



AAA battery (1 pc)

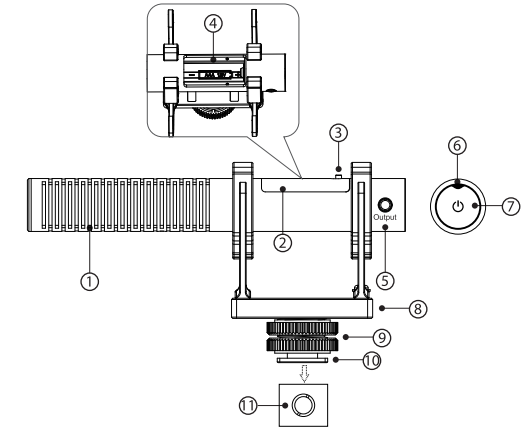


Warranty Card (1 pc)



Product Manual (1 pc)

Nomenclature

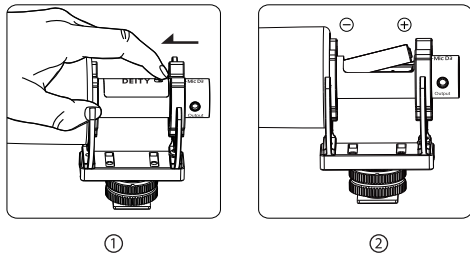


- ① Acoustic Slots
- ② Battery Cover
- ③ Cover Lock
- ④ Battery Compartment
- ⑤ 3.5mm TRRS Audio Output Socket
- ⑥ Power LED
- ⑦ Touch Switch
- ⑧ Shockmount Base
- ⑨ Locking Wheel
- ⑩ Cold Shoe
- ⑪ 3/8" to 1/4" Removable Threaded Sleeve

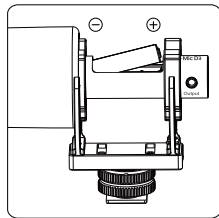
Operations

1. Battery Installation

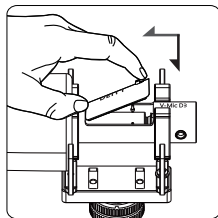
Release the cover lock to open the battery compartment, install the AAA battery, and then put the cover back on.



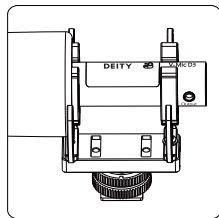
①



②



③

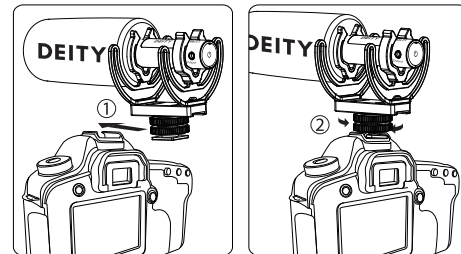


④

* Open the battery compartment and pull the battery ribbon to remove the battery.

2. Microphone Installation

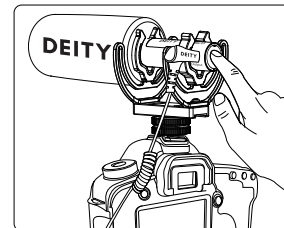
- *First, mount the microphone to the camera's cold-shoe.
- *Second, rotate the bottom wheel clockwise to secure it to the camera.



* V-Mic D3 works out of the box with Cameras, Recorders, Smart-phones, Laptops, and Tablets that feature "Plug-in-Power".

3. Power On/Off

Long press (>2s) the touch switch to turn on/off the mic. When the power is turned on, the power LED will be green, connect the mic and recording device with the included TRRS coiled audio cable, then you can start recording.

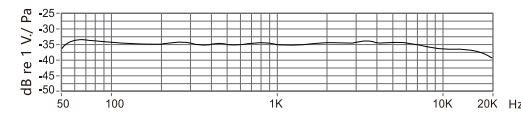


* The V-Mic D3 will automatically power on when plugged into a recording device's 3.5mm microphone input if plug-in power is supplied by the device.

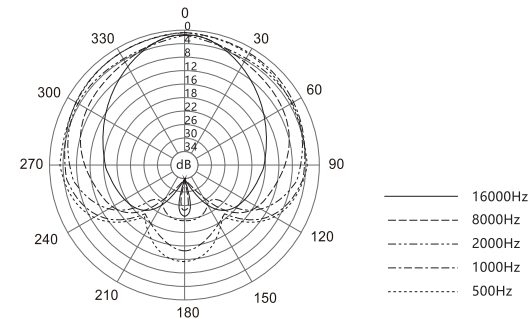
* When the power LED is red, it indicates low power. Please replace the battery in time.

Specifications

1. Frequency Response



2. Polar Pattern



Things You Might Want to Know:

1. According to our many tests, we have found some recording devices which are incompatible with V-Mic D3 because of the different interface standard. The list will be updated in the future if necessary. Please visit our website for the list. <https://www.deitymic.com/vmicd3/>

2. When installing, please avoid the acoustic slots being blocked by the shockmount.

3. Performance Parameter

Polar Pattern	Super Cardioid
Dynamic Range	114dB (per IEC651)
Maximum SPL	130 dB SPL (@1KHz, 1% THD into 1KΩ)
Frequency Range	50Hz~20kHz
THD	≤0.1%
Output Impedance	200Ω
Sensitivity	-35±2dB re 1V/Pa @1kHz
Signal/Noise	78dB SPL (@1KHz, rel 1Pa per IEC651)
Battery Type	Single AAA Battery
Working Current	6.0mA
Temperature range	-10 °C to +70 °C
Output Port	3.5mm TRRS
Dimensions	Φ21 x 150mm
Net Weight	125.8g(shot gun 48.4g)

Trademarks

Rycote is trademark or registered trademark of Rycote in China or other countries.

All other corporate and product names and trademarks mentioned in this manual are the property of their respective owners.