



STATUS®

ENG

ORBITAL POLISHER

Original instructions

DE

EXZENTERPOLIERER

Originalbetriebsanleitung

IT

LUCIDATRICE ECCENTRICA

Istruzioni originali

BG

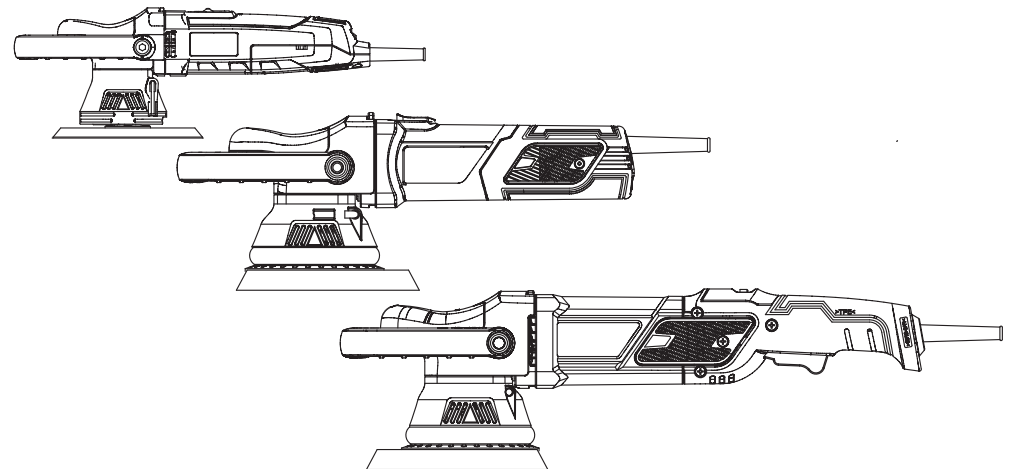
ЕКСЦЕНТРИЧНА ПОЛИР МАШИНА

Оригинална инструкция за използване

RU

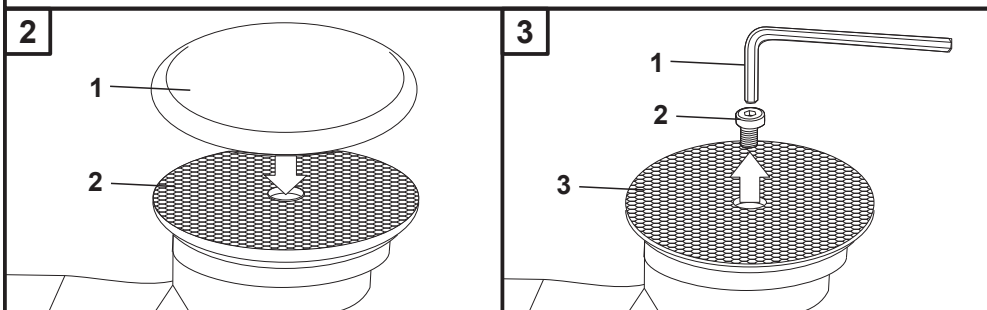
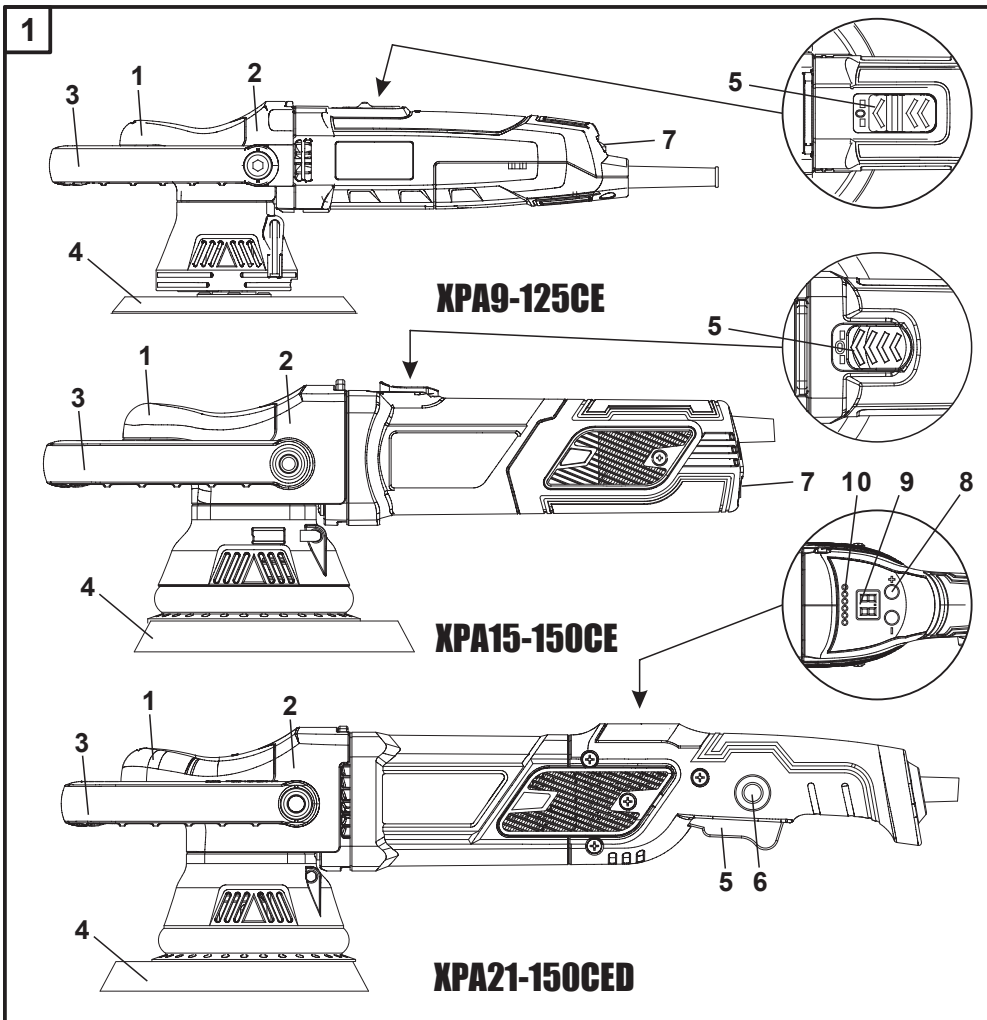
ПОЛИРОВАЛЬНАЯ МАШИНА

Оригинальная инструкция по эксплуатации



XPA9-125CE
XPA15-150CE
XPA21-150CED





GENERAL POWER TOOL SAFETY WARNINGS



WARNING!

Read all safety warnings and all instructions. Failure to follow the warnings and instructions may result in electric shock, fire and /or serious injury.

Save all warnings and instructions for future reference.

The term “power tool” in the warnings refers to your mains-operated (corded) power tool or battery-operated(cordless)power tool.

1) Work area safety

- **Keep work area clean and well lit.** Cluttered or dark areas invite accidents.
- **Do not operate power tools in explosive atmospheres, such as in the presence of flammable liquids, gases or dust.** Power tools create sparks which may ignite the dust or fumes.
- **Keep children and bystanders away while operating a power tool.** Distractions can cause you to lose control.

2) Electrical safety

- **Power tool plugs must match the outlet. Never modify the plug in any way. Do not use any adapter plugs with earthed (grounded) power tools.** Unmodified plugs and matching outlets will reduce risk of electric shock..
- **Avoid body contact with earthed or grounded surfaces such as pipes, radiators, ranges and refrigerators.** There is an increased risk of electric shock if your body is earthed or grounded.
- **Do not expose power tools to rain or wet conditions.** Water entering a power tool will increase the risk of electric shock.
- **Do not abuse the cord. Never use the cord for carrying, pulling or unplugging the power tool. Keep cord away from heat, oil, sharp edges or moving parts.** Damaged or entangled cords increase the risk of electric shock.
- **When operating a power tool outdoors, use an extension cord suitable for outdoor use.** Use of a cord suitable for outdoor use reduces the risk of electric shock.
- **If operating a power tool in a damp location is unavoidable, use a residual current device (RCD) protected supply.** Use of an RCD reduces the risk of electric shock.

3) Personal safety

- **Stay alert, watch what you are doing and use common sense when operating a power tool. Do not use a power tool while you are tired or under the influence of drugs, alcohol or medication.** A moment of inattention while operating power tools may result in serious personal injury.

1. GENERAL POWER TOOL SAFETY WARNINGS

- **Use personal protective equipment. Always wear eye protection.** Protective equipment such as dust mask, non-skid safety shoes, hard hat, or hearing protection used for appropriate conditions will reduce personal injuries.
- **Prevent unintentional starting. Ensure the switch is in the off-position before connecting to power source and /or battery pack, picking up or carrying the tool.** Carrying power tools with your finger on the switch or energising power tools that have the switch on invites accidents.
- **Remove any adjusting key or wrench before turning the power tool on.** A wrench or a key left attached to a rotating part of the power tool may result in personal injury.
- **Do not overreach. Keep proper footing and balance at all times.** This enables better control of the power tool in unexpected situations.
- **Dress properly. Do not wear loose clothing or jewellery. Keep your hair, clothing and gloves away from moving parts.** Loose clothes, jewellery or long hair can be caught in moving parts.
- **If devices are provided for the connection of dust extraction and collection facilities, ensure these are connected and properly used.**

4) Power tool use and care

- **Do not force the power tool. Use the correct power tool for your application.** The correct power tool will do the job better and safer at the rate for which it was designed.
- **Do not use the power tool if the switch does not turn it on and off.** Any power tool that cannot be controlled with the switch is dangerous and must be repaired.
- **Disconnect the plug from the power source and/or the battery pack from the power tool before making any adjustments, changing accessories, or storing power tools.** Such preventive safety measures reduce the risk of starting the power tool accidentally.
- **Store idle power tools out of the reach of children and do not allow persons unfamiliar with the power tool or these instructions to operate the power tool.** Power tools are dangerous in the hands of untrained users.
- **Maintain power tools. Check for misalignment or binding of moving parts, breakage of parts and any other condition that may affect the power tool's operation. If damaged, have the power tool repaired before use.** Many accidents are caused by poorly maintained power tools.
- **Keep cutting tools sharp and clean.** Properly maintained cutting tools with sharp cutting edges are less likely to bind and are easier to control.
- **Use the power tool, accessories and tool bits etc. in accordance with these instructions.** Use of the power tool for operations different from those intended could result in a hazardous situation.

2. SAFETY INSTRUCTIONS FOR ORBITAL POLISHER

SAFETY INSTRUCTIONS FOR ORBITAL POLISHER

- **This power tool is intended to function as a polisher.** Read all safety warnings, instructions, illustrations and specifications provided with this power tool. Failure to follow all instructions listed below may result in electric shock, fire and/or serious injury.
- **Operations such as grinding, sanding, wire brushing, or cutting-off are not recommended to be performed with this power tool.** Operations for which the power tool was not designed may create a hazard and cause personal injury.
- **Do not use accessories which are not specifically designed and recommended by the tool manufacturer.** Just because the accessory can be attached to your power tool, it does not assure safe operation.
- **The rated speed of the accessory must be at least equal to the maximum speed marked on the power tool.** Accessories running faster than their rated speed can break and fly apart.
- **The outside diameter and the thickness of your accessory must be within the capacity rating of your power tool.** Incorrectly sized accessories cannot be adequately guarded or controlled.
- **Threaded mounting of accessories must match the grinder spindle thread.** For accessories mounted by flanges, the arbour hole of the accessory must fit the locating diameter of the flange. Accessories that do not match the mounting hardware of the power tool will run out of balance, vibrate excessively and may cause loss of control.
- **Do not use a damaged accessory.** Before each use inspect the accessory such as abrasive wheels for chips and cracks, backing pad for cracks, tear or excess wear, wire brush for loose or cracked wires. If power tool or accessory is dropped, inspect for damage or install an undamaged accessory. After inspecting and installing an accessory, position yourself and bystanders away from the plane of the rotating accessory and run the power tool at maximum no-load speed for one minute. Damaged accessories will normally break apart during this test time.
- **Wear personal protective equipment.** Depending on application, use face shield, safety goggles or safety glasses. As appropriate, wear dust mask, hearing protectors, gloves and workshop apron capable of stopping small abrasive or workpiece fragments. The eye protection must be capable of stopping flying debris generated by various operations. The dust mask or respirator must be capable of filtering particles generated by your operation. Prolonged exposure to high intensity noise may cause hearing loss.
- **Keep bystanders a safe distance away from work area.** Anyone entering the work area must wear personal protective equipment. Fragments of workpiece or of a broken accessory may fly away and cause injury beyond immediate area of operation.

2. SAFETY INSTRUCTIONS FOR ORBITAL POLISHER

- **Hold the power tool by insulated gripping surfaces only, when performing an operation where the cutting accessory may contact hidden wiring or its own cord.** Cutting accessory contacting a “live” wire may make exposed metal parts of the power tool “live” and could give the operator an electric shock.
- **Position the cord clear of the spinning accessory.** If you lose control, the cord may be cut or snagged and your hand or arm may be pulled into the spinning accessory.
- **Never lay the power tool down until the accessory has come to a complete stop.** The spinning accessory may grab the surface and pull the power tool out of your control.
- **Do not run the power tool while carrying it at your side.** Accidental contact with the spinning accessory could snag your clothing, pulling the accessory into your body.
- **Regularly clean the power tool’s air vents.** The motor’s fan will draw the dust inside the housing and excessive accumulation of powdered metal may cause electrical hazards.
- **Do not operate the power tool near flammable materials.** Sparks could ignite these materials.
- **Do not use accessories that require liquid coolants.** Using water or other liquid coolants may result in electrocution or shock.

Kickback and Related Warnings

Kickback is a sudden reaction to a pinched or snagged rotating wheel, backing pad, brush or any other accessory. Pinching or snagging causes rapid stalling of the rotating accessory which in turn causes the uncontrolled power tool to be forced in the direction opposite of the accessory’s rotation at the point of the binding.

For example, if an abrasive wheel is snagged or pinched by the workpiece, the edge of the wheel that is entering into the pinch point can dig into the surface of the material causing the wheel to climb out or kick out. The wheel may either jump toward or away from the operator, depending on direction of the wheel’s movement at the point of pinching. Abrasive wheels may also break under these conditions. Kickback is the result of power tool misuse and/or incorrect operating procedures or conditions and can be avoided by taking proper precautions as given below.

- **Maintain a firm grip on the power tool and position your body and arm to allow you to resist kickback forces.** Always use auxiliary handle, if provided, for maximum control over kickback or torque reaction during start-up. The operator can control torque reactions or kickback forces, if proper precautions are taken.
- **Never place your hand near the rotating accessory.** Accessory may kickback over your hand.
- **Do not position your body in the area where power tool will move if**

2. SAFETY INSTRUCTIONS FOR ORBITAL POLISHER

- **kickback occurs.** Kickback will propel the tool in direction opposite to the wheel’s movement at the point of snagging.
 - **Use special care when working corners, sharp edges etc.** Avoid bouncing and snagging the accessory. Corners, sharp edges or bouncing have a tendency to snag the rotating accessory and cause loss of control or kickback. Do not attach a saw chain woodcarving blade or toothed saw blade. Such blades create frequent kickback and loss of control.
- ### **Safety Warnings Specific for Polishing Operations**
- **Do not allow any loose portion of the polishing bonnet or its attachment strings to spin freely.** Tuck away or trim any loose attachment strings. Loose and spinning attachment strings can entangle your fingers or snag on the workpiece.
- ### **Additional safety instructions**
- **The mains voltage and the voltage specifications on the rating plate must correspond.**
 - **Do not press the spindle lock until the tool stops.**

NOISE AND VIBRATION

NOTE

Values for the A-weighted sound pressure level and for the total vibration values can be found in the “Technical specifications” table.

The noise and vibration values have been determined in accordance with EN 62841.

CAUTION!

The indicated measurements refer to new power tools. Daily use causes the noise and vibration values to change.

NOTE

The vibration emission level given in this information sheet has been measured in accordance with a standardised test given in EN 62841 and may be used to compare one tool with another. It may be used for a preliminary assessment of exposure. The declared vibration emission level represents the main applications of the tool. However if the tool is used for different applications, with different accessories or poorly maintained, the vibration emission may differ. This may significantly increase the exposure level over the total working period. However if the tool is used for different applications, with different accessories or poorly maintained, the vibration emission may differ. This may significantly decrease the exposure level over the total working period.

Identify additional safety measures to protect the operator from the effects of vibration such as: maintain the tool and the accessories, keep the hands warm, organisation of work patterns.

CAUTION! Wear ear protection at a sound pressure above 85 dB(A).

3. OVERVIEW

4. INSTRUCTIONS FOR USE

INTRODUCTION

This hand-operated orbital polisher is designed – is designed for industrial applications,
– for all types of polishing work, e.g. paintwork on vehicles, furniture and metal surfaces, etc. with polishing sponge, lambswool and wool pads,
– for use with polishing tools which are permitted to run at a speed of at least 500r.p.m.

READ AND SAVE THIS INSTRUCTION MANUAL

OVERVIEW

Different electric power tools are described in these instructions. The illustrated electric power tool may differ in detail from the one which you purchased.

Fig.1

1. Grip hood with air outlet and direction-of-rotation arrow.
2. Gear head
3. Front grip
4. Velcro pad
5. Switch
6. Locking button locks the switch (XPA21-150CED)
7. Dial for preselecting the speed (XPA9-125CE/XPA15-150CE)
8. Buttons for speed selection (XPA21-150CED)
9. RPM digital display (XPA21-150CED)
10. Speed light display (XPA21-150CED)

Fig.2

1. Polishing tool
2. Velcro pad

Fig.3

1. Hexagonal wrench
2. Screw
3. Velcro pad

INSTRUCTION FOR USE



WARNING!

Before carrying out any work on the polisher, always pull out the mains plug.

Before switching on the polisher Unpack the polisher and check that there are no missing or damaged parts.

Attach or change tools (Fig.2)

- Pull out the mains plug.
- Firmly press polishing tool (1), centred on the eye, onto the Velcro pad (2).
Use undamaged polishing tools only.

4. INSTRUCTIONS FOR USE

- Insert the mains plug into the socket.
 - Switch on the polisher (without engaging it) and run the polisher for approx. 30 sec. Check for imbalances and vibrations.
 - Switch off the polisher.
- Switch action. (XPA9-125CE, XPA15-150CE)**
- When starting hold the tool firmly with both hands.
 - Start the tool by pressing the button of on/off switch (5) down slightly then pushing forward on the button of on/off switch (Fig.1).
 - Stop the tool by pressing the button of on/off switch (5).

Switch action. (XPA21-150CED)

- Press and hold down the switch (5).
 - To switch off, release the switch (5).
- Continuous operation with engaged switch rocker**
- Press and hold down the switch (5).
 - To lock into position, hold down the locking button (6) and release the switch.
 - To switch off, briefly press and release the switch (5).

Preselecting the speed (XPA9-125CE, XPA15-150CE)

- To set the operating speed, move the speed dial (7) to the required value.

Speed dial settings (XPA9-125CE/XPA15-150CE)

- 1 - 2000/2000 OPM
- 2 - 2800/2400 OPM
- 3 - 3200/2800 OPM
- 4 - 4200/3500 OPM
- 5 - 5200/3800 OPM
- 6 - 6400/4200 OPM

Preselecting the speed (XPA21-150CED)

- Press the switch key (5)
- On the digital display will light up the numbers $\square\square$
- To increase the speed, press the button +
- To decrease the speed, press the button -

Speed light display	Digital display	Speed (OPM)
●○○○○○	20 - 22	2000 - 2200
●●○○○○	24 - 26	2400 - 2600
●●●○○○	28 - 30	2800 - 3000
●●●●○○	33 - 36	3300 - 3600
●●●●●○	39 - 42	3900 - 4200
●●●●●●	45 - 48	4500 - 4800

WORK INSTRUCTION

CAUTION!

When the polisher is switched off, the polishing tool continues running briefly.

NOTE

Following a tool change (e.g. wool pad instead of polishing sponge), the difference in weight may increase the vibrations. Change the operating speed with the adjusting wheel (button) until the vibrations have been reduced.

- Switch on the machine before placing it on the surface which is to be polished and run the polisher up to the set speed.
- Applying light contact pressure, move the polisher in circular, overlapping movements on the surface which is to be polished in order to obtain a good polishing finish and to ensure that the tool has a long service life.
- On sensitive surfaces (e.g. car paintwork) do not work aggressively but work at slow speeds applying low contact pressure.
- If using a polishing paste, use the respective tool for each paste.

MAINTENANCE AND CARE

WARNING!

Before carrying out any work on the polisher, always pull out the mains plug.

Cleaning

- Regularly clean the power tool and ventilation slots. Frequency of cleaning is dependent on the material and duration of use.
- Regularly blow out the housing interior and motor with dry compressed air.

Carbon brushes

NOTE

Use only original parts supplied by the manufacturer for replacement purposes. If non-original parts are used, the guarantee obligations of the manufacturer will be deemed null and void. When the polisher is being used, the carbon brushes can be seen sparking through the rear air inlet apertures. If the carbon brushes spark excessively, switch off the polisher immediately. Take the polisher to a customer service workshop authorised by the manufacturer.

Gears

NOTE

Do not loosen the screws on the gear head(2) during the warranty period. Non-compliance will deem the guarantee obligations of the manufacturer null and void.

Replacement of wear parts

Change Velcro pad

- Pull out the mains plug.
- Remove the polishing tool.
- Place machine on its back.
- Release and remove screw (2) with wrench (1).

- Remove worn Velcro pad (3).
- Remove contaminants from interior.
- Fit new Velcro pad and align securing holes.
- Insert screw (2) and tighten with wrench (1).
- Carry out test run. Check for imbalances and vibrations.

SPECIFICATIONS / ACCESSORIES

MODEL	XPA9-125CE	XPA15-150CE	XPA21-150CED
Tool holder Velcro Ø (mm)	125	150	150
Orbit (mm)	9	15	21
Orbit rate (OPM)	2000-6400	2000-4200	2000-4800
Power input (W)	650	900	950
Weight (kg)	2	2,6	3
Safety class		II	

A-weighted sound pressure level according to EN 62841 (see "Noise and vibration"):

Sound pressure level L _{pA} dB(A)	89	84,3	87
Sound power level L _{WA} dB(A)	100	95,3	98
Uncertainty K db		3.0	

Total vibration value according to EN 62841 (see "Noise and vibration"):

Emission value a _h m/s ²	3,09	13,469	3,06
Uncertainty K m/s ²		1.5	

ACCESSORIES

Polishing pad, Auxiliary handle, front cover, Wrench, 1 pair carbon brush.

CE DECLARATION OF CONFORMITY

STATUS ITALIA S.r.l. as the responsible manufacturer declare that the following STATUS machines: Polishers XPA9-125CE, XPA15-150CE, XPA21-150CED are of series production and conforms to the following European Directives:

The Machinery Directive 2006/42/EC, 2014/30/EU

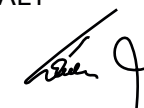
And are manufactured in accordance with the following standards or standardised documents: Specification(s) / Directive(s):

EN 60745-1:2009 + A11:2010, EN 60745-2-4:2009+A11:2011,

EN 55014-1:2006+A1:2009+A2:2011, EN 55014-2:1997+A1:2001+A2:2008,

EN 61000-3-2:2014, EN 61000-3-3:2013.

The technical documentation kept by the manufacturer: STATUS ITALIA S.R.L., via Aldo Moro, 14/A, 36060 - Pianezze (VI), ITALY



Caron Giacinto
Director
STATUS ITALIA S.R.L.

ALLGEMEINE SICHERHEITSHINWEISE FÜR ELEKTROWERKZEUGE



WARNUNG: Lesen Sie alle Sicherheitshinweise und Anweisungen. Versäumnisse bei der Einhaltung der Sicherheitshinweise und Anweisungen können elektrischen Schlag, Brand und/oder schwere Verletzungen verursachen.

Bewahren Sie alle Sicherheitshinweise und Anweisungen für die Zukunft auf. Der in den Sicherheitshinweisen verwendete Begriff „Elektrowerkzeug“ bezieht sich auf netzbetriebene Elektrowerkzeuge (mit Netzkabel) und auf akkubetriebene Elektrowerkzeuge (ohne Netzkabel).

1) Arbeitsplatzsicherheit

- **Halten Sie Ihren Arbeitsbereich sauber und gut beleuchtet.** Unordnung oder unbeleuchtete Arbeitsbereiche können zu Unfällen führen.
- **Arbeiten Sie mit dem Elektrowerkzeug nicht in explosionsgefährdeter Umgebung, in der sich brennbare Flüssigkeiten, Gase oder Stäube befinden.** Elektrowerkzeuge erzeugen Funken, die den Staub oder die Dämpfe entzünden können.
- **Halten Sie Kinder und andere Personen während der Benutzung des Elektrowerkzeugs fern.** Bei Ablenkung können Sie die Kontrolle über das Gerät verlieren.

2) Elektrische Sicherheit

- **Der Anschlussstecker des Elektrowerkzeuges muss in die Steckdose passen. Der Stecker darf in keiner Weise verändert werden. Verwenden Sie keine Adapterstecker gemeinsam mit schutzgeerdeten Elektrowerkzeugen.** Unveränderte Stecker und passende Steckdosen verringern das Risiko eines elektrischen Schlages.
- **Vermeiden Sie Körperkontakt mit geerdeten Oberflächen wie von Rohren, Heizungen, Herden und Kühlschränken.** Es besteht ein erhöhtes Risiko durch elektrischen Schlag, wenn Ihr Körper geerdet ist.
- **Halten Sie Elektrowerkzeuge von Regen oder Nässe fern.** Das Eindringen von Wasser in ein Elektrowerkzeug erhöht das Risiko eines elektrischen Schlages.
- **Zweckentfremden Sie das Kabel nicht, um das Elektrowerkzeug zu tragen, aufzuhängen oder um den Stecker aus der Steckdose zu ziehen.** Halten Sie das Kabel fern von Hitze, Öl, scharfen Kanten oder sich bewegenden Geräteteilen. Beschädigte oder verwickelte Kabel erhöhen das Risiko eines elektrischen Schlages.
- **Wenn Sie mit einem Elektrowerkzeug im Freien arbeiten, verwenden Sie nur Verlängerungskabel, die auch für den Außenbereich geeignet sind.** Die Anwendung eines für den Außenbereich geeigneten Verlängerungskabels verringert das Risiko eines elektrischen Schlages.
- **Wenn der Betrieb des Elektrowerkzeuges in feuchter Umgebung nicht vermeidbar ist, verwenden Sie einen Fehlerstromschutzschalter.** Der Einsatz

eines Fehlerstromschutzschalters vermindert das Risiko eines elektrischen Schläge.

3) Sicherheit von Personen

- **Seien Sie aufmerksam, achten Sie darauf, was Sie tun, und gehen Sie mit Vernunft an die Arbeit mit einem Elektrowerkzeug. Benutzen Sie kein Elektrowerkzeug, wenn Sie müde sind oder unter dem Einfluss von Drogen, Alkohol oder Medikamenten stehen.** Ein Moment der Unachtsamkeit beim Gebrauch des Elektrowerkzeuges kann zu ernsthaften Verletzungen führen.
- **Tragen Sie persönliche Schutzausrüstung und immer eine Schutzbrille.** Das Tragen persönlicher Schutzausrüstung, wie Staubmaske, rutschfeste Sicherheitsschuhe, Schutzhelm oder Gehörschutz, je nach Art und Einsatz des Elektrowerkzeuges, verringert das Risiko von Verletzungen.
- **Vermeiden Sie eine unbeabsichtigte Inbetriebnahme.** Vergewissern Sie sich, dass das Elektrowerkzeug ausgeschaltet ist, bevor Sie es an die Stromversorgung und/oder den Akku anschließen, es aufnehmen oder tragen. Wenn Sie beim Tragen des Elektrowerkzeuges den Finger am Schalter haben oder das Gerät eingeschaltet an die Stromversorgung anschließen, kann dies zu Unfällen führen.
- **Entfernen Sie Einstellwerkzeuge oder Schraubenschlüssel, bevor Sie das Elektrowerkzeug einschalten.** Ein Werkzeug oder Schlüssel, der sich in einem drehenden Geräteteil befindet, kann zu Verletzungen führen.
- **Vermeiden Sie eine abnormale Körperhaltung.** Sorgen Sie für einen sicheren Stand und halten Sie jederzeit das Gleichgewicht. Dadurch können Sie das Elektrowerkzeug in unerwarteten Situationen besser kontrollieren.
- **Tragen Sie geeignete Kleidung.** Tragen Sie keine weite Kleidung oder Schmuck. Halten Sie Haare, Kleidung und Handschuhe fern von sich bewegenden Teilen. Lockere Kleidung, Schmuck oder lange Haare können von sich bewegenden Teilen erfasst werden.
- **Wenn Staubabsaug- und -auffangeinrichtungen montiert werden können, vergewissern Sie sich, dass diese angeschlossen sind und richtig verwendet werden.** Verwendung einer Staubabsaugung kann Gefährdungen durch Staub verringern.

4) Verwendung und Behandlung des Elektrowerkzeuges

- **Überlasten Sie das Gerät nicht. Verwenden Sie für Ihre Arbeit das dafür bestimmte Elektrowerkzeug.** Mit dem passenden Elektrowerkzeug arbeiten Sie besser und sicherer im angegebenen Leistungsbereich.
- **Benutzen Sie kein Elektrowerkzeug, dessen Schalter defekt ist.** Ein Elektrowerkzeug, das sich nicht mehr ein- oder ausschalten lässt, ist gefährlich und muss repariert werden.
- **Ziehen Sie den Stecker aus der Steckdose und/oder entfernen Sie den Akku, bevor Sie Geräteeinstellungen vornehmen, Zubehörteile wechseln oder das Gerät weglegen.** Diese Vorsichtsmaßnahme verhindert den unbeabsichtigten Start des Elektrowerkzeuges.

2. SICHERHEITSHINWEISE ZUM POLIEREN

- **Bewahren Sie unbenutzte Elektrowerkzeuge außerhalb der Reichweite von Kindern auf. Lassen Sie Personen das Gerät nicht benutzen, die mit diesem nicht vertraut sind oder diese Anweisungen nicht gelesen haben.** Elektrowerkzeuge sind gefährlich, wenn Sie von unerfahrenen Personen benutzt werden.
- **Pflegen Sie Elektrowerkzeuge mit Sorgfalt. Kontrollieren Sie, ob bewegliche Teile einwandfrei funktionieren und nicht klemmen, ob Teile gebrochen oder so beschädigt sind, dass die Funktion des Elektrowerkzeuges beeinträchtigt ist. Lassen Sie beschädigte Teile vor dem Einsatz des Gerätes reparieren.** Viele Unfälle haben ihre Ursache in schlecht gewarteten Elektrowerkzeugen.
- **Halten Sie Schneidwerkzeuge scharf und sauber.** Sorgfältig gepflegte Schneidwerkzeuge mit scharfen Schneidkanten verklemmen sich weniger und sind leichter zu führen.
- **Verwenden Sie Elektrowerkzeug, Zubehör, Einsatzwerkzeuge usw. entsprechend diesen Anweisungen. Berücksichtigen Sie dabei die Arbeitsbedingungen und die auszuführende Tätigkeit.** Der Gebrauch von Elektrowerkzeugen für andere als die vorgesehenen Anwendungen kann zu gefährlichen Situationen führen.

5) Service

- **Lassen Sie Ihr Elektrowerkzeug nur von qualifiziertem Fachpersonal und nur mit Original Ersatzteilen reparieren.** Damit wird sichergestellt, dass die Sicherheit des Elektrowerkzeuges erhalten bleibt.

SICHERHEITSHINWEISE ZUM POLIEREN

- **Dieses Elektrowerkzeug ist zu verwenden als Polierer.** Beachten Sie alle Sicherheitshinweise, Anweisungen, Darstellungen und Daten, die Sie mit dem Gerät erhalten. Wenn Sie die folgenden Anweisungen nicht beachten, kann es zu elektrischem Schlag, Feuer und/oder schweren Verletzungen kommen.
- **Dieses Elektrowerkzeug ist nicht geeignet zum Schleifen, Sandpapierschleifen, Arbeiten mit Drahtbürsten und Trennschleifen.** Verwendungen, für die das Elektrowerkzeug nicht vorgesehen ist, können Gefährdungen und Verletzungen verursachen.
- **Verwenden Sie kein Zubehör, das vom Hersteller nicht speziell für dieses Elektrowerkzeug vorgesehen und empfohlen wurde.** Nur weil Sie das Zubehör an Ihrem Elektrowerkzeug befestigen können, garantiert das keine sichere Verwendung.
- **Die zulässige Drehzahl des Einsatzwerkzeugs muss mindestens so hoch sein wie die auf dem Elektrowerkzeug angegebene Höchstdrehzahl.** Zubehör, das sich schneller als zulässig dreht, kann zerbrechen und umherfliegen.
- **Außendurchmesser und Dicke des Einsatzwerkzeugs müssen den Maßangaben Ihres Elektrowerkzeugs entsprechen.** Falsch bemessene Einsatzwerkzeuge können nicht ausreichend abgeschirmt oder kontrolliert werden.
- **Einsatzwerkzeuge mit Gewindeeinsatz müssen genau auf das Gewinde der Schleifspindel passen.** Bei Einsatzwerkzeugen, die mittels Flansch montiert

2. SICHERHEITSHINWEISE ZUM POLIEREN

- werden, muss der Lochdurchmesser des Einsatzwerkzeuges zum Aufnahmedurchmesser des Flansches passen. Einsatzwerkzeuge, die nicht genau am Elektrowerkzeug befestigt werden, drehen sich ungleichmäßig, vibrieren sehr stark und können zum Verlust der Kontrolle führen.
- **Verwenden Sie keine beschädigten Einsatzwerkzeuge.** Kontrollieren Sie vor jeder Verwendung Einsatzwerkzeuge wie Schleifscheiben auf Absplitterungen und Risse, Schleifteller auf Risse, Verschleiß oder starke Abnutzung, Drahtbürsten auf lose oder gebrochene Drähte. Wenn das Elektrowerkzeug oder das Einsatzwerkzeug herunterfällt, überprüfen Sie, ob es beschädigt ist, oder verwenden Sie ein unbeschädigtes Einsatzwerkzeug. Wenn Sie das Einsatzwerkzeug kontrolliert und eingesetzt haben, halten Sie und in der Nähe befindliche Personen sich außerhalb der Ebene des rotierenden Einsatzwerkzeugs auf und lassen Sie das Gerät eine Minute lang mit Höchstdrehzahl laufen. Beschädigte Einsatzwerkzeuge brechen meist in dieser Testzeit.
- **Tragen Sie persönliche Schutzausrüstung.** Verwenden Sie je nach Anwendung Vollgesichtsschutz, Augenschutz oder Schutzbrille. Soweit angemessen, tragen Sie Staubmaske, Gehörschutz, Schutzhandschuhe oder Spezialschürze, die kleine Schleif- und Materialpartikel von Ihnen fernhält. Die Augen sollen vor herumfliegenden Fremdkörpern geschützt werden, die bei verschiedenen Anwendungen entstehen. Staub- oder Atemschutzmaske müssen den bei der Anwendung entstehenden Staub filtern. Wenn Sie lange lautem Lärm ausgesetzt sind, können Sie einen Hörverlust erleiden.
- **Achten Sie bei anderen Personen auf sicheren Abstand zu Ihrem Arbeitsbereich.** Jeder, der den Arbeitsbereich betritt, muss persönliche Schutzausrüstung tragen. Bruchstücke des Werkstücks oder gebrochener Einsatzwerkzeuge können wegfiegen und Verletzungen auch außerhalb des direkten Arbeitsbereichs verursachen.
- **Halten Sie das Gerät nur an den isolierten Griffflächen, wenn Sie Arbeiten ausführen, bei denen das Einsatzwerkzeug verborgene Stromleitungen oder das eigene Netzkabel treffen kann.** Der Kontakt mit einer spannungsführenden Leitung kann auch metallene Geräteteile unter Spannung setzen und zueinem elektrischen Schlag führen.
- **Halten Sie das Netzkabel von sich drehenden Einsatzwerkzeugen fern.** Wenn Sie die Kontrolle über das Gerät verlieren, kann das Netzkabel durchtrennt oder erfasst werden und Ihre Hand oder ihr Arm in das sich drehende Einsatzwerkzeug geraten.
- **Legen Sie das Elektrowerkzeug niemals ab, bevor das Einsatzwerkzeug völlig zum Stillstand gekommen ist.** Das sich drehende Einsatzwerkzeug kann in Kontakt mit der Ablagefläche geraten, wodurch Sie die Kontrolle über das Elektrowerkzeug verlieren können.
- **Lassen Sie das Elektrowerkzeug nicht laufen, während Sie es tragen.** Ihre Kleidung kann durch zufälligen Kontakt mit dem sich drehenden Einsatzwerkzeug erfasst werden und das Einsatzwerkzeug sich in Ihren Körper bohren.

2. SICHERHEITSHINWEISE ZUM POLIEREN

- **Reinigen Sie regelmäßig die Lüftungsschlitze Ihres Elektrowerkzeugs.** Das Motorgebläse zieht Staub in das Gehäuse, und eine starke Ansammlung von Metallstaub kann elektrische Gefahren verursachen.
- **Verwenden Sie das Elektrowerkzeug nicht in der Nähe brennbarer Materialien.** Funken können diese Materialien entzünden.
- **Verwenden Sie keine Einsatzwerkzeuge, die flüssige Kühlmittel erfordern.** Die Verwendung von Wasser oder anderen flüssigen Kühlmitteln kann zu einem elektrischen Schlag führen.

Rückschlag und entsprechende Sicherheitshinweise

Rückschlag ist die plötzliche Reaktion infolge eines hakenden oder blockierten drehenden Einsatzwerkzeugs, wie Schleifscheibe, Schleifteller, Drahtbürste usw. Verhaken oder Blockieren führt zu einem abrupten Stopp des rotierenden Einsatzwerkzeugs. Dadurch wird ein unkontrolliertes Elektrowerkzeug gegen die Drehrichtung des Einsatzwerkzeugs an der Blockierstelle beschleunigt. Wenn z. B. eine Schleifscheibe im Werkstück hakt oder blockiert, kann sich die Kante der Schleifscheibe, die in das Werkstück eintaucht, verfangen und dadurch die Schleifscheibe ausbrechen oder einen Rückschlag verursachen. Die Schleifscheibe bewegt sich dann auf die Bedienperson zu oder von ihr weg, je nach Drehrichtung der Scheibe an der Blockierstelle.

Hierbei können Schleifscheiben auch brechen. Ein Rückschlag ist die Folge eines falschen oder fehlerhaften Gebrauchs des Elektrowerkzeugs.

Er kann durch geeignete Vorsichtsmaßnahmen, wie nachfolgend beschrieben, verhindert werden.

- **Halten Sie das Elektrowerkzeug gut fest und bringen Sie Ihren Körper und Ihre Arme in eine Position, in der Sie die Rückschlagkräfte abfangen können.** Verwenden Sie immer den Zusatzgriff, falls vorhanden, um die größtmögliche Kontrolle über Rückschlagkräfte oder Reaktionsmomente beim Hochlauf zu haben. Die Bedienperson kann durch geeignete Vorsichtsmaßnahmen die Rückschlag- und Reaktionskräfte beherrschen.
- **Bringen Sie Ihre Hand nie in die Nähe sich drehender Einsatzwerkzeuge.** Das Einsatzwerkzeug kann sich beim Rückschlag über Ihre Hand bewegen.
- **Meiden Sie mit Ihrem Körper den Bereich, in den das Elektrowerkzeug bei einem Rückschlag bewegt wird.** Der Rückschlag treibt das Elektrowerkzeug in die Richtung entgegengesetzt zur Bewegung der Schleifscheibe an der Blockierstelle.
- **Arbeiten Sie besonders vorsichtig im Bereich von Ecken, scharfen Kanten usw. Verhindern Sie, dass Einsatzwerkzeuge vom Werkstück zurückprallen und verkleben.** Das rotierende Einsatzwerkzeug neigt bei Ecken, scharfen Kanten oder wenn es abprallt dazu, sich zu verkleben. Dies verursacht einen Kontrollverlust oder Rückschlag.
- **Verwenden Sie kein Ketten- oder gezähntes Sägeblatt.** Solche Einsatzwerkzeuge verursachen häufig einen Rückschlag oder den Verlust der Kontrolle über das Elektrowerkzeug.

2. SICHERHEITSHINWEISE ZUM POLIEREN

Besondere Sicherheitshinweise zum Polieren

- **Lassen Sie keine losen Teile der Polierhaube, insbesondere Befestigungsschnüre, zu.** Verstauen oder kürzen Sie die Befestigungsschnüre. Lose, sich mitdrehende Befestigungsschnüre können Ihre Finger erfassen oder sich im Werkstück verfangen.

Weitere Sicherheitshinweise

- **Netzspannung und Spannungsangabe auf dem Typschild muss übereinstimmen.**
- **Spindelarretierung nur bei stillstehendem Werkzeug drücken.**

GERÄUSCH UND VIBRATION

HINWEIS

Werte für den A bewertete Geräuschpegel sowie die Schwingungsgesamtwerte der Tabelle „Technische Daten“ entnehmen. Die Geräusch- und Schwingungswerte wurden entsprechend EN62841 ermittelt.

VORSICHT!

Die angegebenen Messwerte gelten für neue Geräte. Im täglichen Einsatz verändern sich Geräusch- und Schwingungswerte.

HINWEIS

Der in diesen Anweisungen angegebene Schwingungspegel ist entsprechend einem in EN 62841 genormten Messverfahren gemessen worden und kann für den Vergleich von Elektrowerkzeugen miteinander verwendet werden. Er eignet sich auch für eine vorläufige Einschätzung der Schwingungsbelastung. Der angegebene Schwingungspegel repräsentiert die hauptsächlichsten Anwendungen des Elektrowerkzeugs. Wenn allerdings das Elektrowerkzeug für andere Anwendungen, mit abweichenden Einsatzwerkzeugen oder ungenügender Wartung eingesetzt wird, kann der Schwingungspegel abweichen. Dies kann die Schwingungsbelastung über den gesamten Arbeitszeitraum deutlich erhöhen. Für eine genaue Abschätzung der Schwingungsbelastung sollten auch die Zeiten berücksichtigt werden, in denen das Gerät abgeschaltet ist oder zwar läuft, aber nicht tatsächlich im Einsatz ist. Dies kann die Schwingungsbelastung über den gesamten Arbeitszeitraum deutlich reduzieren. Legen Sie zusätzliche Sicherheitsmaßnahmen zum Schutz des Bedieners vor der Wirkung von Schwingungen fest wie zum Beispiel: Wartung von Elektrowerkzeug und Einsatzwerkzeugen, Warmhalten der Hände, Organisation der Arbeitsabläufe.

Bestimmungsgemäße Verwendung

Dieser handgeführte Exzenterpolierer ist bestimmt – für den gewerblichen Einsatz in Industrie und Handwerk,

- Für Polierarbeiten jeglicher Art, wie z.B. Lackoberflächen an Fahrzeugen, Möbel- und Metalloberflächen usw. mit Polierschwämmen, Lamm- und Wollfellen,
- Zum Einsatz mit Polierwerkzeugen, die für eine Drehzahl von mindestens 500U/min zugelassen sind.

3. AUF EINEN BLICK

4. GEBRAUCHSANWEISUNG

AUF EINEN BLICK

Elemente des Elektrowerkzeugs

In dieser Anleitung werden verschiedene Elektrowerkzeuge beschrieben. Die Darstellung kann im Detail vom erworbenen Elektrowerkzeug abweichen.

Abb.1

1. Griffhaube mit Luftaustritt und Drehrichtungspfeil.
2. Getriebekopf
3. Vorderer Griff
4. Klettsteller
5. Schalter
6. Arretierungsknopf (XPA21-150CED)
7. Stellrad für Drehzahlvorwahl (XPA9-125CE/XPA15-150CE)
8. Geschwindigkeitssteuertaste (XPA21-150CED)
9. Geschwindigkeitsanzeige (XPA21-150CED)
10. LED-Geschwindigkeitsanzeige (XPA21-150CED)

Abb.2

1. Poliermittel
2. Klettsteller

Abb.3

1. Allen Schlüssel
2. Schraube
3. Klettsteller

GEBRAUCHSANWEISUNG



WARNUNG!
Vor allen Arbeiten am Polierer den Netzstecker ziehen.

Vor der Inbetriebnahme Polierer auspacken und auf Vollständigkeit der Lieferung und Transportschäden kontrollieren.

Werkzeug befestigen oder wechseln (Abb.2)

- Netzstecker ziehen.
- Poliermittel (1), nach Auge zentriert, auf dem Klettsteller (2) festdrücken.

Nur Polierwerkzeug ohne Schäden verwenden.

- Netzstecker in Steckdose stecken.
- Polierer einschalten (ohne Einrasten) und Polierer für ca. 30 Sekunden laufen lassen. Auf Unwuchten und Vibrationen kontrollieren.
- Polierer ausschalten.

Ein- und Ausschalten (XPA9-125CE, XPA15-150CE)

Einschalten: Den Schieber des Schalters (5) im hinteren Teil drücken und nach vorn in die Pfeilrichtung schieben, bis sich sein Vorderteil versenkt und einrastet.

Ausschalten: Den hinteren angehobenen Teil des Schalters (5) drücken und von selbst in die Ursprungstellung gleiten lassen.

5. ARBEITSHINWEISE

Ein- und Ausschalten (XPA21-150CED)

Kurzzeitbetrieb ohne Einrasten

- Schalter (5) drücken und festhalten.
- Zum Ausschalten Schalter (5) loslassen.

Dauerbetrieb mit Einrasten

- Schalter (5) drücken und festhalten.
- Zum Einrasten Arretierungsknopf (6) gedrückt halten und Schalter loslassen.
- Zum Ausschalten Schalter (5) kurz drücken und loslassen.

Einstellen der Arbeitsdrehzahl (XPA9-125CE/XPA15-150CE)

Zum Einstellen der Arbeitsdrehzahl das Stellrad (7) auf den gewünschten Wert stellen.

Radpositionen einstellen (XPA9-125CE/XPA15-150CE)

- 1 - 2000/2000 U/min
- 2 - 2800/2400 U/min
- 3 - 3200/2800 U/min
- 4 - 4200/3500 U/min
- 5 - 5200/3800 U/min
- 6 - 6400/4200 U/min

Einstellen der Arbeitsdrehzahl (XPA21-150CED)

- Drücken Sie die Umschalttaste (5)
- Auf dem digitalen Display leuchten die Zahlen 00 auf
- Um die Geschwindigkeit zu erhöhen, drücken Sie die Taste +
- Um die Geschwindigkeit zu verringern, drücken Sie die Taste -

LED-Anzeige	Digitaler Bildschirm	Geschwindigkeit (U/min)
●○○○○○	20 - 22	2000 - 2200
●●○○○○	24 - 26	2400 - 2600
●●●○○○	28 - 30	2800 - 3000
●●●●○○	33 - 36	3300 - 3600
●●●●●○	39 - 42	3900 - 4200
●●●●●●	45 - 48	4500 - 4800

ARBEITSHINWEISE

VORSICHT!

Nach dem Ausschalten läuft das Polierwerkzeug noch kurze Zeit nach.

HINWEIS

Nach einem Werkzeugwechsel (z.B. Wollfell statt Polierschwamm) können durch den Gewichtsunterschied erhöhte Vibrationen auftreten.

6. WARTUNG UND PFLEGE

Arbeitsdrehzahl am Stellrad (7) soweit verändern, bis die Vibrationen reduziert sind.

- Maschine vor dem Aufsetzen auf die zu polierende Oberfläche einschalten und bis zur eingestellten Drehzahl anlaufen lassen.
- Polierer mit leichtem Anpressdruck mit kreisenden, sich überlappenden Bewegungen auf der zu polierenden Oberfläche bewegen, um gute Polierleistungen und hohe Standzeiten des Werkzeugs zu erreichen.
- Bei empfindlichen Oberflächen (z. B. Autolacke) nicht aggressiv, sondern mit niedrigen Touren und geringem Anpreßdruck arbeiten.
- Beim Einsatz von Polierpaste für jede Paste ein eigenes Werkzeug benutzen.

WARTUNG UND PFLEGE

WARNUNG! Vor allen Arbeiten am Polierer den Netzstecker ziehen.

Reinigung

- Gerät und Lüftungsschlitze regelmäßig reinigen. Häufigkeit ist vom bearbeiteten Material und von der Dauer des Gebrauchs abhängig.
- Gehäuseinnenraum mit Motor regelmäßig mit trockener Druckluft ausblasen.

Kohlenbürsten

HINWEIS

Zum Austausch nur Originalteile des Herstellers verwenden.

Bei Verwendung von Fremdfabrikaten erlöschen die Garantieverpflichtungen des Herstellers.

Durch die hinteren Lufteintrittsöffnungen kann das Kohlenfeuer während des Gebrauchs beobachtet werden. Bei starkem Kohlenfeuer den Polierer sofort ausschalten. Polierer an eine vom Hersteller autorisierte Kundendienstwerkstatt übergeben.

Austausch von Verschleißteilen

Kletteller wechseln (Abb.3)

- Netzstecker ziehen.
- Polierwerkzeug entfernen.
- Maschine auf der Rückseite ablegen.
- Schraube (2) mit Schraubenschlüssel (1) lösen und herausdrehen.
- Verschlissenen Kletteller (3) abnehmen.
- Verschmutzungen im Innenraum beseitigen.
- Neuen Kletteller aufsetzen und die Befestigungslöcher ausrichten.
- Schraube (2) eindrehen und mit Schraubenschlüssel (1) festziehen.
- Probelauf durchführen. Auf Unwuchten und Vibrationen kontrollieren.

Reparaturen

Reparaturen ausschließlich durch eine vom Hersteller autorisierte Kundendienstwerkstatt ausführen lassen.

Ersatzteile und Zubehör

HINWEIS

Es dürfen nur die von STATUS freigegebenen Werkzeuge verwendet werden.

7. TECHNISCHE DATEN / ZUBEHÖR 8. KONFORMITÄTSERKLÄRUNG

TECHNISCHE DATEN / ZUBEHÖR

MODEL	XPA9-125CE	XPA15-150CE	XPA21-150CED
Hub (mm)	9	15	21
Hubzahl (U/min)	2000-6400	2000-4200	2000-4800
Leistungsaufnahme (W)	650	900	950
Gewicht (kg)	2	2,6	3
Schutzklasse		II	

A-bewerteter Geräuschpegel entsprechend EN 62841

Schalldruckpegel L _{pA} dB(A)	89	84,3	87
Schallleistungspegel L _{WA} dB(A)	100	95,3	98
Unsicherheit K _{db}		3.0	
Schwingungsgesamtwert entsprechend EN 62841			
Emmissionswert a _h m/s ²	3,09	13,469	3,06
Unsicherheit K _{m/s²}		1.5	

ZUBEHÖR

Polierpad, Zusatzhandgriff, Frontabdeckung, Schraubenschlüssel, Kohlebürste.

KONFORMITÄTSERKLÄRUNG

Hiermit versichern wir unsere persönliche Haftung, dass dieses Erzeugnis allen einschlägigen Bestimmungen folgender Richtlinien und entsprechender harmonisierten Standards entspricht:

The Machinery Directive 2006/42/EC, 2014/30/EU

EN 60745-1:2009 + A11:2010, EN 60745-2-4:2009+A11:2011,

EN 55014-1:2006+A1:2009+A2:2011, EN 55014-2:1997+A1:2001+A2:2008,

EN 61000-3-2:2014, EN 61000-3-3:2013.

Die technischen Unterlagen werden bei STATUS ITALIA S.R.L., via Aldo Moro, 14/A, 36060 - Pianezze (VI), ITALIA, aufbewahrt.



Caron Giacinto
Direktor
STATUS ITALIA S.R.L.

AVVERTENZE DI SICUREZZA



ATTENZIONE! Leggere tutte le istruzioni d'uso e le avvertenze di sicurezza. L'inosservanza delle istruzioni seguenti può causare folgorazioni, incendi e/o gravi danni a persone.

Conservare con cura queste istruzioni.

Il termine "utensile" in tutte le avvertenze successive si riferisce sia agli utensili collegati alla rete elettrica (con cavo di alimentazione) che agli utensili a batteria (senza cavo).

1) AREA DI LAVORO

- **Mantenere l'area di lavoro pulita e ben illuminata.** Le zone buie ed ingombre di oggetti favoriscono incidenti.
- **Non utilizzare l'utensile in presenza di liquidi infiammabili, gas o polvere.** Le scintille generate potrebbero infiammare polvere e/o vapore.
- **Tenere a distanza bambini e terzi durante il funzionamento.** Per una distrazione potreste perdere il controllo dell'utensile.

2) SICUREZZA ELETTRICA

- **La spina dell'utensile deve essere adatta alla presa utilizzata.** **Non modificare la spina in alcun modo.** Non utilizzare adattatori con gli utensili collegati a terra. L'impiego di una spina integra ed una presa adatta riduce i rischi di folgorazione.
- **Evitare di toccare con il corpo le superfici collegate a terra quali tubi, radiatori, forni e frigoriferi.** Il rischio di folgorazione aumenta se il corpo è collegato a terra.
- **Non esporre l'utensile alla pioggia e all'umidità.** La penetrazione d'acqua nell'utensile aumenta il rischio di folgorazione.
- **Non utilizzare il cavo per scopi diversi da quello previsto. Non utilizzare il cavo per trasportare o tirare l'utensile, oppure per staccare la spina dalla presa. Tenere il cavo lontano da fonti di calore, olio, parti appuntite o in movimento.** Cavi danneggiati o attorcigliati aumentano il rischio di folgorazione.
- **Se l'utensile viene utilizzato all'aperto, usare una prolunga adatta all'uso esterno.** L'impiego di una prolunga da esterno reduce il rischio di folgorazione.
- **Se il lavoro in un ambiente umido è strettamente necessario, utilizzare una presa protetta da dispositivo a corrente residua.** Ciò reduce i rischi di scosse.

3) SICUREZZA PERSONALE

- **L'uso di elettrostrumenti richiede attenzione e buon senso. Non utilizzare gli utensili se si è stanchi o sotto l'effetto di droghe, alcol o medicinali.** Una breve disattenzione può provocare gravi danni alle persone.
- **Munirsi di indumenti e dispositivi di protezione.** Indossare sempre occhiali da lavoro. L'uso di dispositivi di protezione tra cui mascherina antipolvere, scarpe antiscivolo, casco e protezioni per l'udito reduce il rischio di danni a persone.
- **Evitare l'accensione accidentale. Accertarsi che l'interruttore sia in posizione "OFF" prima di inserire la spina.** Se si trasportano gli utensili con il

dito sull'interruttore o si inserisce la spina nella presa con l'interruttore in posizione "ON" aumenta il rischio di incidenti.

- **Togliere tutte le chiavi di regolazione prima di accendere l'utensile.** Una chiave lasciata inserita in una parte rotante di un utensile può provocare danni a persone.
- **Non utilizzare l'utensile in condizioni estreme. Mantenere sempre l'equilibrio ed i piedi ben appoggiati a terra.** Questo consente un maggior controllo dell'utensile in caso di imprevisti.
- **Indossare un abbigliamento adeguato. Non indossare abiti svolazzanti o gioielli. Tenere capelli, vestiti, e guanti lontani dalle parti in movimento.** Abiti svolazzanti, gioielli o capelli potrebbero impigliarsi nelle parti in movimento.
- **In presenza di apparecchiature per il collegamento a dispositivi di aspirazione e raccolta delle polveri, accertarsi che essi siano collegati ed utilizzarli correttamente.** L'uso di queste apparecchiature può ridurre i rischi causati dalla polvere.

4) USO E MANUTENZIONE DELL'UTENSILE

- **Utilizzare l'utensile più adatto per il lavoro da svolgere.** L'impiego dell'utensile giusto migliora la qualità del lavoro e la sicurezza.
- **Non utilizzare l'utensile se non è possibile accenderlo e spegnerlo con l'apposito interruttore.** Gli utensili che non possono essere controllati con l'interruttore sono pericolosi e devono essere riparati.
- **Staccare la spina dall'alimentazione di corrente prima di eseguire regolazioni, cambiare accessori o riporre l'utensile.** Osservando queste precauzioni si reduce il rischio di accensione accidentale dell'utensile.
- **Riporre gli utensili non utilizzati fuori dalla portata dei bambini e non consentirne l'utilizzo a persone che non conoscono l'utensile o queste istruzioni.** Nelle mani di persone inesperte gli utensili possono diventare pericolosi.
- **Sottoporre l'utensile a manutenzione. Verificare il corretto allineamento di tutte le parti mobili, controllare che non siano grippate e che non vi siano rotture o altri guasti che potrebbero influire sul funzionamento dell'utensile.** Far riparare gli utensili danneggiati prima di riutilizzarli. Molti incidenti sono causati da utensili in pessime condizioni.
- **Tenere le punte e gli strumenti da taglio puliti ed affilati.** Se sottoposti ad una regolare manutenzione e pulizia consentono di lavorare in modo più preciso e sono maggiormente controllabili.
- **Utilizzare l'utensile, gli accessori, gli attrezzi etc. secondo quanto indicato in queste istruzioni nonché tenendo in considerazione le condizioni di lavoro e il lavoro da eseguire.** L'impiego di utensili per scopi diversi da quelli per cui sono stati progettati può dare origine a situazioni pericolose.

5. MANUTENZIONE

- **Far riparare l'utensile da personale qualificato che utilizzi solo parti di ricambio originali.** In caso contrario la sicurezza dell'utensile potrebbe risultare compromessa.

AVVERTENZE DI SICUREZZA PER LA LUCIDATURA

- **Usare questo elettroutensile come lucidatrice.** Osservare tutte le istruzioni di sicurezza, indicazioni, illustrazioni e dati consegnati con l'apparecchio. In caso di mancata osservanza delle istruzioni seguenti, possibilità di scossa elettrica, incendio e/o lesioni gravi.
- **Questo elettroutensile non è idoneo per la levigatura, smerigliatura a carta abrasiva, per lavori con spazzole metalliche e per troncatura.** Gli impieghi, per i quali l'elettroutensile non è previsto, possono causare pericoli e lesioni.
- **Non usare accessori, che non siano stati espressamente previsti e raccomandati dal costruttore per questo elettroutensile.** Il solo fatto che l'accessorio può essere fissato a questo elettroutensile non garantisce un uso sicuro.
- **Il numero di giri consentito dell'utensile montato deve essere come minimo uguale al numero di giri massimo indicato sull'elettroutensile.** L'accessorio che gira ad una velocità superiore a quella consentita può frantumarsi ed essere proiettato tutt'intorno.
- **Il diametro esterno e lo spessore dell'utensile montato devono corrispondere alle dimensioni indicate dell'elettroutensile.** Gli utensili con caratteristiche sbagliate non possono essere schermati o controllati adeguatamente.
- **Accessori con filetto riportati devono essere adatti in modo preciso alla filettatura dell'alberino.** Negli accessori che vengono montati tramite flangia, il diametro del foro dell'accessorio deve corrispondere al diametro di alloggiamento della flangia. Accessori che non vengono fissati in modo preciso all'elettroutensile non ruotano in modo uniforme, vibrano molto forte e possono provocare la perdita del controllo.
- **Non impiegare utensili danneggiati.** Prima di ogni utilizzo controllare i portautensili e gli accessori ed accertarsi che sui dischi abrasivi non vi siano scheggiature o crepature, che il platorello non sia soggetto ad incrinature, crepature o forte usura e che le spazzole metalliche non abbiano fili metallici allentati oppure rotti. In caso di caduta dell'elettroutensile o dell'utensile, controllare se hanno subito danni, o montare un utensile di lavoro privo di danni. Dopo avere controllato e montato l'utensile di lavoro, allontanare le persone che sono nelle vicinanze dal piano di rotazione dell'utensile e fare girare l'apparecchio per un minuto al massimo numero di giri. In questo tempo di prova, gli utensili montati che presentano danni per lo più si rompono.
- **Indossare l'equipaggiamento protettivo personale.** A seconda dell'impiego, usare la protezione integrale per il viso, la protezione per gli occhi oppure occhiali protettivi. Se necessario, indossare la maschera antipolvere, la protezione per l'udito, guanti protettivi o il grembiule speciale, che impedisce il contatto con piccole particelle di abrasivo e di materiale.

Gli occhi devono essere protetti contro corpi estranei volanti, che hanno origine in diversi impieghi. La maschera antipolvere o maschera di respirazione deve filtrare la polvere che si sviluppa durante l'impiego. In caso di lunga esposizione a forte rumore, vi è la possibilità di danni all'udito.

- **In presenza di altre persone, prestare attenzione alla loro distanza di sicurezza dalla vostra zona di lavoro.** Chiunque entri nella zona di lavoro deve indossare l'equipaggiamento protettivo personale. Frammenti di materiale lavorato o di utensili montati che si rompono possono essere proiettati e causare anche lesioni all'esterno dell'area di lavoro diretta.
- **Quando si eseguono lavori, durante i quali l'utensile montato potrebbe toccare linee elettriche nascoste oppure il suo stesso cavo di alimentazione, afferrare l'elettroutensile solo sulle superfici diprese isolate.** Il contatto con una linea elettrica sotto tensione può mettere sotto tensione anche le parti metalliche dell'elettroutensile e provocare una scossa elettrica.
- **Tenere il cavo di alimentazione lontano da utensili montati in rotazione.** In caso di perdita del controllo dell'apparecchio, il cavo di alimentazione potrebbe essere troncato oppure potrebbe avvolgersi sull'utensile in rotazione avvicinandolo così alla vostra mano oppure al braccio.
- **Non deporre mai l'elettroutensile, prima che l'utensile montato sia completamente fermo.** L'utensile montato in rotazione può entrare in contatto con la superficie di appoggio, causando così la perdita del vostro controllo sull'elettroutensile.
- **Non tenere l'elettroutensile in funzione durante il trasporto.** A causa del contatto accidentale con l'utensile in rotazione il vostro abbigliamento s'impiglia nell'utensile e così lo avvicina e lo fa penetrare nel vostro corpo.
- **Pulire regolarmente le fessure di ventilazione dell'elettroutensile.** La ventola del motore attira la polvere nella carcassa, ed un forte accumulo di polvere metallica può causare pericoli elettrici.
- **Non usare l'elettroutensile in prossimità di materiali infiammabili.** Le scintille possono incendiare questi materiali.
- **Non usare utensili montati, che richiedono l'impiego di refrigeranti liquidi.** L'impiego di acqua o di altri liquidi di raffreddamento può causare una scossa elettrica.

Contraccolpo e corrispondenti istruzioni di sicurezza

Il contraccolpo è l'improvvisa reazione di un utensile montato in rotazione che s'incestra o si blocca, come disco abrasivo, mola atazza, spazzola metallica ecc. L'incestrarsi o bloccarsi provoca un arresto improvviso dell'utensile in rotazione. A causa di ciò un elettroutensile, che non è mantenuto saldamente, subisce nel punto di arresto un'accelerazione nel senso di rotazione contrario a quello dell'utensile montato. Se ad es. una mola s'incestra o incestra nel pezzo, il bordo della mola immersa nel pezzo può restare incastrato e provocare così la rottura della mola o oppure un contraccolpo. La mola si avvicina in tal caso all'operatore o si allontana da lui, a seconda del senso di rotazione della mola nel punto di arresto. In tal caso le

2. AVVERTENZE DI SICUREZZA PER LA LUCIDATURA

mole possono anche rompersi. Un contraccolpo è la conseguenza di un uso errato o imperfetto dell'elettro-utensile. Essopuò essere impedito per mezzo di idonee precauzioni, come in seguito descritto.

- **Afferrare saldamente l'elettro-utensile e assumere con il corpo e le braccia un'posizione, nella quale sia possibile intercettare le forze di contraccolpo.** Sedisponibile, usare sempre l'impugnatura supplementare, al fine di avere il massimo controllo possibile sulle forze di contraccolpo o sulle coppie di reazione durante l'accelerazione. Attraverso idonee precauzioni, l'operatore riesce a controllare le forze di contraccolpo e di reazione.
- **Non avvicinare mai la mano agli utensili in rotazione.** In caso di contraccolpo l'utensile impiegato può raggiungere la mano.
- **Evitare con il proprio corpo la zona, verso la quale l'elettro-utensile si muove in caso di un contraccolpo.** Il contraccolpo spinge l'elettro-utensile in direzione opposta al senso di rotazione della mola nel punto di arresto.
- **Lavorare con precauzione particolare negli angoli, sugli spigoli vivi, ecc.** Impedire il rimbalzo o il bloccarsi dell'utensile montato sulla superficie lavorata. L'utensile in rotazione tende ad incastrarsi in prossimità di angoli, spigoli acuti oppure in caso di rimbalzo. Questo provoca una perdita di controllo oppure un contraccolpo.

Avvertenze di sicurezza speciali per la lucidatura

- **Evitare la presenza di parti sciolte delle cuffie per lucidare, specialmente i lacci di fissaggio.** Sistemare nell'interno o tagliare i lacci di fissaggio. I lacci di fissaggio sciolti durante la rotazione del disco possono colpire le dita o impigliarsi nel pezzo.

Ulteriori avvertenze di sicurezza

- **La tensione di rete e l'indicazione di tensione sulla targhetta d'identificazione devono coincidere.**
- **Premere l'arresto dell'alberino solo quando l'utensile è fermo.**

RUMORE E VIBRAZIONE

AVVISO

I valori per il livello di rumore stimato A e i valori totali di vibrazione risultano dalla tabella «Dati tecnici». I valori di rumore e di vibrazione sono stati rilevati secondo EN 62841.

PRUDENZA! I valori di misura indicati sono validi solo per apparecchi nuovi.

Nell'impiego quotidiano i valori di rumore e vibrazione cambiano.

AVVISO

Il livello di vibrazioni indicato in queste istruzioni è stato misurato conformemente ad un procedimento di misura standardizzato in EN 62841 e può essere utilizzato per il confronto tra elettro-utensili. Esso è idoneo anche per una valutazione temporanea della sollecitazione da vibrazioni.

Il livello di vibrazioni indicato rappresenta gli impieghi principali dell'elettro-utensile.

Se tuttavia l'elettro-utensile viene impiegato per altri usi, con diverso utensile montato o manutenzione insufficiente, il livello di vibrazioni può differire.

3. USO REGOLARE / GUIDA RAPIDA

Questo può aumentare notevolmente la sollecitazione da vibrazioni per tutta la durata del lavoro. Per una stima precisa della vibrazione considerare anche i tempi, nei quali l'apparecchio è spento oppure è in funzione, tuttavia non effettivamente impiegato. Questo può ridurre notevolmente la sollecitazione da vibrazioni per tutta la durata del lavoro. Per proteggere l'operatore dall'effetto delle vibrazioni, stabilire misure di sicurezza aggiuntive, come ad esempio: manutenzione dell'elettro-utensile e degli utensili impiegati, riscaldamento delle mani, organizzazione delle procedure di lavoro.

PRUDENZA!

In caso di pressione acustica superiore a 85dB(A) indossare la protezione acustica

USO REGOLARE

Questa lucidatrice eccentrica manuale è destinata

- Per l'impiego professionale nell'industria e nell'artigianato,
- A lavori di lucidatura di qualsiasi tipo, come per es. su superfici laccate di autoveicoli, su superfici di mobili e metallo ecc., con spugne per lucidare, pelli di agnello e pelli con lana,
- Per l'impiego di utensili per lucidatura omologati per una velocità di rotazione di almeno 500 g/min.

GUIDA RAPIDA

In questo libretto di istruzioni sono descritti diversi elettro-utensili.

La rappresentazione grafica può differire nei dettagli dall'elettro-utensile acquistato.

Fig.1

1. Cuffia con maniglia.
2. Testa ingranaggi.
3. Impugnatura anteriore
4. Platorello con velcro
5. Interruttore
6. Pulsante d'arresto (XPA21-150CED)
7. Rotella di regolazione per preselezione velocità (XPA9-125CE/XPA15-150CE)
8. Pulsanti di selezione della velocità (XPA21-150CED)
9. Display digitale RPM (XPA21-150CED)
10. Indicatore della velocità (XPA21-150CED)

Fig.2

1. Disco di lucidatura
2. Platorello con velcro

Fig.3

1. Chiave esagonale
2. Vite
3. Platorello con velcro

ISTRUZIONE PER L'USO



PERICOLO!

Prima di eseguire lavori alla lucidatrice, estrarre la spina d'alimentazione.

Prima della messa in funzione Disimballare la lucidatrice e controllare se la fornitura è completa ed esente da danni di trasporto.

Fissare o sostituire l'utensile (Fig.2)

- Estrarre la spina d'alimentazione.
- Comprimerne di disco di lucidatura (1), centrato ad occhio, sul platorello con velcro (2).

Usare solo utensili per lucidare non danneggiati.

- Inserire la spina d'alimentazione nella presa.
- Accendere la lucidatrice (arresto disinserito) e lasciarla funzionare per ca. 30 secondi. Controllare eventuali squilibri e vibrazioni.
- Spegnerne la lucidatrice.

Accendere/spegnere (XPA9-125CE, XPA15-150CE)

- Per accendere l'elettrotensile, premere leggermente l'interruttore avvio/arresto (5) e poi spingerlo in avanti.
- Per bloccare l'interruttore avvio/arresto (5) premere l'interruttore avvio/arresto (5) verso il basso nella parte anteriore, fino allo scatto in posizione.
- Per spegnere l'elettrotensile rilasciare l'interruttore avvio/arresto (5) oppure, quando è bloccato, premere l'interruttore avvio/arresto (5) nella parte posteriore brevemente verso il basso e rilasciarlo.

Accendere/spegnere (XPA21-150CED)

Servizio discontinuo senza arresto del bilico

- Premere e mantenere premuto l'interruttore (5).
- Per spegnere rilasciare l'interruttore (5).

Servizio continuo con arresto del bilico

- Premere e mantenere premuto l'interruttore (5).
- Per l'arresto mantenere premuto il pulsante di arresto (6) e rilasciare l'interruttore.
- Per spegnere premere brevemente e rilasciare l'interruttore (5).

Preselezione del numero di giri (XPA9-125CE, XPA15-150CE)

- Per la regolazione del numero di giri di lavoro, disporre la rotella di regolazione (7) sul valore desiderato.

Rotella di regolazione per preselezione velocità (XPA9-125CE/XPA15-150CE)

- 1 - 2000/2000 g/min
- 2 - 2800/2400 g/min
- 3 - 3200/2800 g/min
- 4 - 4200/3500 g/min
- 5 - 5200/3800 g/min
- 6 - 6400/4200 g/min

Preselezione del numero di giri (XPA21-150CED)

- Premere il tasto interruttore (5)
- Sul display digitale si accendono i numeri □□
- Per aumentare la velocità, premere il tasto +
- Per diminuire la velocità, premere il tasto -

Indicatore della velocità	Display digitale	Velocità (OPM)
● ○ ○ ○ ○ ○	20 - 22	2000 - 2200
● ● ○ ○ ○ ○	24 - 26	2400 - 2600
● ● ● ○ ○ ○	28 - 30	2800 - 3000
● ● ● ● ○ ○	33 - 36	3300 - 3600
● ● ● ● ● ○	39 - 42	3900 - 4200
● ● ● ● ● ●	45 - 48	4500 - 4800

ISTRUZIONE PER IL LAVORO

PRUDENZA!

Dopo lo spegnimento l'utensile per lucidare continua a ruotare brevemente per inerzia.

AVVISO

Dopo un cambio di utensile (per es. pelle con lana invece di spugna per lucidare) a causa della differenza di peso possono comparire forti vibrazioni. Variare il numero di giri di lavoro con la rotella di regolazione (4) finché le vibrazioni non si riducono.

- Accendere la macchina prima di appoggiarla sulla superficie da lucidare e farla accelerare fino al numero di giri regolato.
- Muovere la lucidatrice con leggera pressione di appoggio, con movimenti circolari parzialmente sovrapposti, per raggiungere un buon risultato di lucidatura ed un'alta durata utile degli utensili.
- Sulle superfici sensibili (per es. vernici di automobili) lavorare non in modo aggressivo, bensì con una bassa velocità di rotazione e pressione di contatto.
- Se s'impiega pasta per lucidare, usare per ogni tipo di pasta un diverso utensile.

MANUTENZIONE E CURA

PERICOLO!

Prima di eseguire lavori alla lucidatrice, estrarre la spina d'alimentazione.

Pulizia

- Pulire regolarmente l'apparecchio e le fessure di ventilazione. La frequenza dipende dal materiale lavorato e dalla durata dell'uso.
- Soffiare regolarmente con aria compressa secca l'interno della carcassa con il motore.

Spazzole di carbone**AVVISO**

Per la sostituzione usare solo parti originali del produttore. In caso di uso di prodotti d'altra provenienza si estinguono i doveri di garanzia del produttore.

Attraverso le aperture di entrata aria posteriori si può osservare lo scintillio delle spazzole durante il funzionamento. In caso di forte scintillio delle spazzole, spegnere immediatamente la lucidatrice.

Portare la lucidatrice ad un'officina del servizio assistenza clienti autorizzata dal produttore.

Meccanismo**AVVISO**

Durante il periodo di garanzia, non svitare le viti sulla testa ingranaggi (2).

In caso d'inosservanza si estinguono i doveri di garanzia del produttore.

Sostituzione di componenti soggetti ad usura**Sostituzione del platorello a strappo (Fig.3)**

- Estrarre la spina d'alimentazione.
- Togliere la spugna per lucidare.
- Deporre la macchina sul lato posteriore.
- Svitare la vite (2) con una chiave (1) ed estrarle.
- Rimuovere il platorello a strappo usurato (3).
- Rimuovere l'imbrattamento all'interno.
- Applicare il platorello a strappo nuovo ed allineare i fori di fissaggio.
- Avvitare la vite (2) e serrarle con la chiave (1).
- Effettuare una prova di funzionamento. Controllare eventuali squilibri e vibrazioni.

Ricambi ed accessori**AVVISO**

È consentito solo l'impiego di utensili approvati da STATUS.

Per altri accessori, in particolare utensili e mezzi ausiliari di lucidatura, consultare i cataloghi del produttore.

CARATTERISTICHE TECNICHE / ACCESSORI

MODEL	XPA9-125CE	XPA15-150CE	XPA21-150CED
Attacco utensile			
Platorello con velcro Ø (mm)	125	150	150
Corsa (mm)	9	15	21
Numero corse (CPM)	2000-6400	2000-4200	2000-4800
Potenza assorbita (W)	650	900	950
Peso (kg)	2	2,6	3
Classe di protezione		II	
Livello rumore stimato A conforme alla norma EN 62841			
Livello di pressione acustica L _{pA} dB(A)	89	84,3	87
Livello di potenza acustica L _{WA} dB(A)	100	95,3	98
Insicurezza K db		3.0	

Valore totale di vibrazione conforme alla norma EN 62841

Valore di emissione a_h m/s² 3,09 13,469 3,06

Insicurezza K m/s² 1.5

ACCESSORI

Disco di lucidatura, impugnatura ausiliaria, coperchio anteriore, chiave, spazzole di carbone.

DICHIARAZIONE DI CONFORMITÀ CE

Con la presente dichiariamo che

Levigatrici eccentriche STATUS XPA9-125CE, XPA15-150CE, XPA21-150CED corrisponde alle seguenti direttive UE in materia nella rispettiva versione valida: 2006/42/EC, 2014/30/EU

Per garantire la conformità sono state applicate le seguenti norme armonizzate e anche le norme e disposizioni nazionali che seguono:

EN 60745-1:2009 + A11:2010, EN 60745-2-4:2009+A11:2011,

EN 55014-1:2006+A1:2009+A2:2011, EN 55014-2:1997+A1:2001+A2:2008,

EN 61000-3-2:2014, EN 61000-3-3:2013.

Il produttore è il solo responsabile della stesura della presente dichiarazione di conformità: STATUS ITALIA S.R.L., via Aldo Moro, 14/A, 36060 - Pianezze (VI), ITALIA



Caron Giacinto
L'Amministratore
STATUS ITALIA S.R.L.

ОБЩИ НОРМИ ЗА БЕЗОПАСНОСТ**ПРЕДУПРЕЖДЕНИЕ!**

Прочетете всички предупреждения за опасност и оперативни инструкции. В случай на неспазване на предупрежденията за опасност и оперативните инструкции може да се създаде опасност от токов удар, пожар и/или тежки инциденти.

Запазете всички предупреждения за опасност и оперативни инструкции за бъдещи изисквания

Терминът „електроуреди“ използван в предупрежденията за опасност се отнася за електрически уреди, захранвани от електрическата мрежа (с линия за скачване) и електрически уреди, захранвани с батерия (без линия за скачване).

1) Безопасност на работното място

- **Поддържайте работното място винаги чисто и добре осветено.** Безредието или пък неосветените зони на работното място могат да станат причина за злополуки.
- **Избягвайте да използвате електрическите уреди в помещения подложени на риск за експлозия, в които има наличие на възпламеняващи се течности, газ или прахове.** Електроуредите произвеждат искри, които могат да възпламенят праха или газа.
- **Дръжте далече деца или други лица по време на използването на електроуредите.** Евентуалните отвлечане на вниманието могат да предизвикат загуба на контрол върху електроуредите.

2) Електрическа безопасност

- **Щепселът за свързване с електрическата мрежа на електроуредите трябва да бъде подходящ за контакта.** Избягвайте абсолютно да правите промени в щепсела. Не използвайте щепсели адаптори заедно с електроуреди, които се заземяват. Непроменените щепсели и подходящите контакти за целта намаляват риска от токов удар.
- **Избягвайте контакт с повърхности, свързани със земята като тръби, отоплителни уреди, електрически печки и хладилници.** Съществува голям риск от токов удар, в момента когато тялото е поставено на маса.
- **Не съхранявайте електроуредите на място, където може да вали дъжд или на влажно място.** Проникването на вода в електроуредите увеличава риска от токов удар.
- **Не използвайте кабела за различни цели от тези предвидените и особено не го използвайте да пренасяте или да закачате електроуредите или пък да измъквате щепсела от контакта на електрическата мрежа.** Не доближавайте кабела до източници на топлина, машинно масло, режещи ръбове нито пък до части на машина, която е в движение. Наранените или остъргани кабели увеличават риска от предизвикване на токов удар.
- **Когато се налага да използвате електроуредите навън, използвайте само кабели удължители, които са подходящи за използване във външна**

среда. Използването на подходящ кабел удължител за външна среда намалява риска от предизвикване на токов удар.

- **Когато не може да се избегне използването на електроуредите във влажна среда, използвайте прекъсвач за безопасност.** Използването на прекъсвач за безопасност намалява риска от токов удар.
- 3) Безопасност за хора**
- **Важно е да се съсредоточите върху това, което правите и работете внимателно с електроуредите по време на работната операция.** Никога не използвайте електроуредите ако сте уморени или сте под ефекта на дрога, алкохолни напитки и лекарства. Един миг на разсейване по време на използването на електроуредите може да бъде причина за тежки злополуки.
 - **Обличайте винаги индивидуална предпазна екипировка, както и защитни ръкавици.** Използването на персонално защитно облекло като маска за прахове, безопасни обувки, които не се пързаят, предпазна каска или защитно средство от звукове според вида и приложението на електроуредите намалява риска от злополуки.
 - **Избягвайте неволното пускане на електроуредите.** Преди да бъде свързан със захранващата електрическа мрежа и/или презареждащата се батерия, преди да го вземете или пък преди да започнете да го пренасяте уверете се, че електроуредът не е включен. Държането на пръста върху прекъсвача, докато се пренася електроуредите или свързването с електрическата мрежа с включен прекъсвач създава опасни ситуации и може да предизвика сериозни злополуки.
 - **Преди да запалите електроуредите махнете уредите за регулиране или английския ключ.** Един аксесоар или един ключ, който се намира на въртящата се част на машината може да предизвика сериозни злополуки.
 - **Избягвайте неправилна позиция на тялото.** Постарайте се да застанете в сигурна позиция и да пазите равновесие при всяко положение. По този начин е възможно да контролирате по-добре електроуредите в случай на неочаквани ситуации.
 - **Обличайте подходящи дрехи.** Не се обличайте в широки дрехи, нито пък носете гривни и верижки. Дръжте косата си и дрехите си и ръкавиците си далеч от движещи се части. Широки дрехи, бижута или дълга коса могат да се вмъкнат в движещи се части.
 - **Ако случайно е предвидено монтирането на аспиратори на прах или събиране на прах, направете така, че те да бъдат свързани и се използват правилно.** Използването на аспиратор за прах може да доведе до достигане на опасни ситуации, дължащи се на праха.
- 4) Внимателно боравене и правилно използване на електроуредите**
- **Не подлагайте машината на свръхнатоварване.** За вашата работа използвайте изключително електроуред изключително предвиден за случая. С подходящ електроуред се работи по-добре и по-сигурно в областта на неговата способност за дадената услуга.

- **Никога не използвайте електроуреди с дефектни прекъсвачи.** Един електроуред със счупен прекъсвач е опасен и трябва да бъде поправен.
- **Преди да пристъпите до операции по регулиране на машината, преди да подмените някой от аксесоарите, или преди да оставите машината в края на работата винаги изваждайте щепсела от контакта с електрическата мрежа и/или извадете зареждащата се батерия.** Тази предпазна мярка избягва, щото електроуредът може да се задейства неволно.
- **Когато уредите не се използват съхранявайте ги извън обсега на деца.** Електроуредите не трябва да се използват от лица, които не са свикнали да ги използват, и които не са чели настоящите инструкции. Електроуредите са опасни машини, когато се използват от лица, които нямат достатъчно добър опит с тях.
- **Извършвайте поддръжката на електроуредата, действайки с необходимото старание.** Уверете се, че подвижните части на машината функционират перфектно, и че нищо не им пречи, че няма счупени или повредени части до такава степен, че да ограничат функционирането на електроуредата. Преди да започнете да работите, поправете повредените части. Многобройни злополуки се причиняват от електроуреди, чиято поддръжка е направена небрежно.
- **Поддържайте режещите инструменти винаги наточени и чисти.** Режещите инструменти поддържани с особено внимание и с наточени режещи части засичат по-рядко и са по лесни за управление.
- **Използвайте електроуредите, аксесоарите към тях, инструментите за специално приложение и др. винаги като се придържате към настоящите инструкции.** Постъпвайки така имайте предвид винаги работните условия и операциите, които трябва да извършвате. Използването на електроуреди за различна употреба от предназначението им, може да създаде опасни ситуации.

5) Техническа помощ

- **Електроуредът трябва да бъде даден за поправка изключително на специализиран персонал и само ако се използват оригинални резервни части.** По този начин може да бъде запазена безопасността на електроуредата.

УКАЗАНИЯ ЗА БЕЗОПАСНОСТ ПРИ ПОЛИРАНЕ

- **Този електрически инструмент е предназначен за използване като полираща машина.** Спазвайте всички указания за безопасност, препоръки, схеми и данни, които сте получили с уреда. Ако не спазвате следните препоръки, това може да доведе до токов удар, пожар и/или тежки наранявания.
- **Този електрически инструмент не е предназначен за шлифоване, шлифоване с шкурка, работа с телени четки и рязане.** Приложение, за което уредът не е предназначен, може да доведе до опасности и до наранявания.

- **Не използвайте принадлежности, които не са изрично предназначени и препоръчани от производителя за този уред.** Това че можете да поставите приставките на вашия електрически инструмент, не ви гарантира безопасно използване.
- **Допустимото число на оборотите на приставките трябва да е най-малко толкова високо, колкото посоченото върху електрическия инструмент максимално число на оборотите.** Принадлежностите, които се въртят по-бързо от допустимото, могат да се счупят и да излетят.
- **Външният диаметър и дебелината на приставките трябва да съответстват на изискванията за размерите на вашия електрически инструмент.** Приставките с неподходящи размери не могат да паснат добре или не могат да бъдат контролирани.
- **Приставките с резба трябва да пасват точно на резбата на шлифовъчното вретено.** При приставките, които се монтират с помощта на фланец, диаметърът на отвора на приставката трябва да съответства на диаметъра на поемане на фланеца. Работни инструменти, които не бъдат захванати правилно към електроинструмента, се въртят неравномерно, вибрират силно и могат да предизвикат загуба на контрол над електроинструмента.
- **Не използвайте повредени приставки.** Проверявайте приставките преди всяко използване за отцепени части и пукнатини. Когато електрическият инструмент или приставките паднат, проверете дали са повредени или използвайте неповредени приставки. Когато сте проверили и вече използвате приставките, дръжте намиращите се в близост лица далеч от нивото на въртящата се приставка и оставете уреда да работи една минута на най-високи обороти. Повредените приставки обикновено сечупят по време на този тест.
- **Носете лично предпазно оборудване.** В зависимост от работата носете пълна защита за лицето, защита за очите или предпазни очила. Доколкото е уместно, носете маска за прах, защита за слуха, предпазни ръкавици или специална престилка, които ще държат далеч от вас малките метални частици. Очите трябва да бъдат защитени от летящите наоколо чужди тела, които се получават по време на различните видове работа. Образованието по време на работа прах трябва да се филтрира от защитна маска за прах и за дишане. Когато се налага дълго време да сте подложени на висок шум, можете да изгубите слуха си.
- **Когато има други лица, внимавайте те да се намират на безопасно разстояние от зоната на вашата работа.** Всеки, който влиза в зоната на работа, трябва да носи лично защитно оборудване. Отчупени парчета от обработвания материал или счупени приставки могат да излетят и да причинят наранявания извън непосредствената работна зона.
- **Пазете електрическия кабел далеч от въртящите се приставки.** Ако изгубите контрол върху уреда, електрическият кабел може да бъде прерязан или захванат и китката или ръката ви могат да попаднат под въртящата се приставка.

- **Никога не оставяйте електрическия инструмент, преди приставката да еспряла напълно да се движи.** Въртящата се приставка може да влезе в контакт с мястото на поставяне и така да изгубите контрол върху електрическия инструмент.
- **Не включвайте електрическия инструмент, докато го носите.** Дрехитеви могат да бъдат захванати при случаен контакт с въртящата се приставка и приставката може да се забие в тялото ви.
- **Почиствайте редовно въздушните отвори на електрическия инструмент.** Вентилаторът на мотора изтегля вкорпуса прах, като прекомерното събиране на метален прах може да предизвика електрически опасности.
- **Не използвайте електрическия инструмент в близост до горящи материали.** Искрите могат да възпламенят тези материали.
- **Не използвайте приставки, които имат нужда от течни охлаждащи вещества.** Използването на вода или други течни охлаждащи вещества може да причини токов удар.

Откат и съответните указания за безопасност

Откат е внезапната реакция на машината вследствие на заклиняване или блокиране на въртящия се работен инструмент, напр. абразивен диск, гумен подложен диск, телена четка и др.п. Заклиняването или блокирането води до рязкото спиране на въртенето на работния инструмент. Вследствие на това електроинструментът получава силно ускорение в посока, обратна на посоката на движението на инструмента в точката на блокиране, остава неуправляем.

Ако напр. абразивен диск се заклони или блокира в обработваното изделие, ръбът на диска, който допира детайла, може да се огъне ив резултат дискът да се счупи или да възникне откат. В такъв случай дискът се ускорява към работещия с машината или вобратна посока, в зависимост от посоката на въртене на диска и мястото на заклиняване. Втакива случаи абразивните дискове могат и да се счупят.

Откат възниква врезултат на неправилно или погрешно използване на електроинструмента. Възникването му може да бъде предотвратено чрез спазването на подходящи предпазни мерки, както е описано по-долу.

- **Дръжте електрическия инструмент здраво и приведете тялото и ръцете в позиция, от която ще можете да поемете силите на отката.** Винаги използвайте допълнителната дръжка, ако има такава, за да имате възможно най-голям контрол над силите на отката и над моментите на реакция при ускоряване. Обслужващото лице може да овладее силите на отката и на реакция чрез подходящи предохранителни мерки.
- **Никога не доближавайте ръката си до въртящите се приставки.** При откат приставката може да мине над ръката ви.
- **Избягвайте с тялото си зоната, в която електрическият инструмент може да попадне при откат.** Откатът тегли електрическия инструмент в посока, противоположна на движението на полиращата машина на мястото на блокиране.

- **Работете изключително внимателно в близост до ъгли, остри ръбове и др.** Не допускате приставките да се отделят от обработвания предмет ида се заклещват. При ъгли, остри ръбове или когато се оттласне приставката често се заклещва. Това води до загуба на контрол или откат.
- **Не използвайте верижен или зъбчат лист за ножовка ножовка.** Такива приставки често предизвикват откат или загуба на контрол върху електрическия инструмент.

Специални указания за безопасна работа при полиране:

- **Не оставяйте свободни части на полиращия калъф и особено закрепващите връзки.** Подпъхнете или скъсете закрепващите връзки. Свободните, въртящи се закрепващи връзки могат да захванат пръстите ви или да се заклещят в обработвания предмет.

Други указания за безопасност

- **Напрежението на електрическата мрежа и данните за напрежението от типовата табелка трябва да съвпадат.**
- **Натискайте блокировката на вретеното само когато инструментът е в покой.**

ШУМ И ВИБРАЦИИ

УКАЗАНИЕ!

Стойностите за А-претегленото ниво шума, както и общите стойности за вибрациите можете да намерите в таблицата "Технически данни". Стойностите за шум и вибрации са определени в съответствие с EN 62841.

ВНИМАНИЕ!

Посочените стойности важат за нови уреди. При използване в ежедневието стойностите на шум и вибрации се променят.

УКАЗАНИЕ!

Даденото в това упътване ниво на вибрации е измерено в съответствие с определената в EN 62841 процедура поизмерване и може да се използва за сравняване на електрически инструменти. То е подходящо и за предварителна преценка на вибрациите. Посоченото ниво на вибрации представя основните приложения на електрическия инструмент. Когато обаче електрическият инструмент се използва за други цели, с неподходящи приставки или неправилно обслужване, нивото на вибрации може да е различно. Това може значително да повиши вибрациите за цялото време на работа.

За точна преценка на вибрациите трябва да се вземе предвид и времето, през което уредът е изключен или е включен, но с него в действителност не се работи. Това може значително да намали вибрациите за цялото време на работа. Вземете допълнителни мерки за безопасност за защита на ползвателя от въздействието на вибрациите, като например: обслужване на електрическия инструмент и на приставките, затопляне на ръцете, организация на процеса на работа.

ВНИМАНИЕ!

При ниво на шума над 85 dB(A) носете защита за слуха.

3. С ЕДИН ПОГЛЕД

4. УПЪТВАНЕ ЗА ЕКСПЛОАТАЦИЯ

ИЗПОЛЗВАНЕ ПО ПРЕДНАЗНАЧЕНИЕ

Тази ръчно направлявана ексцентрична полир машина е предназначена

- за занаятчийско използване виндустрията и занаятчийството,
- за дейности по полиране от всякакъв вид, като напр. лакирани повърхности по автомобили, мебели и метални повърхности и др., с използване напоиращи гъби и кечета от агнешка кожа и вълна,
- за употреба с инструменти за полиране, които са одобрени за минимум 500 об./мин..

С ЕДИН ПОГЛЕД

В това ръководство са описани различни електроинструменти. Изображението може да се различава в детайли от закупения електроинструмент.

Рис.1

1. Капак. С изпускане на въздух и стрелка запосоката на движение.
2. Глава на предавката
3. Предна ръкохватка
4. Залепващ диск
5. Прекъсвач
6. Копче за блокиране (ХРА21-150CED)
7. Регулатор за предварително избиране на числото на оборотите (ХРА9-125СЕ/ХРА15-150СЕ)
8. Бутон за избор на скорост (ХРА21-150CED)
9. RPM цифров дисплей (ХРА21-150CED)
10. Светодиоден индикатор (ХРА21-150CED)

Fig.2

1. Полиращото средство
2. Залепващ диск

Fig.3

1. 6-страничен гаечен ключ
2. Screw
3. Залепващ диск

УПЪТВАНЕ ЗА ЕКСПЛОАТАЦИЯ



ПРЕДУПРЕЖДЕНИЕ!

Преди всякакви раб оти по полиращата машина изключете щепсела от контакта

Преди пускане в експлоатация

Разопакувайте полиращата машина и проверете дали всичко е доставено и за транспортни дефекти.

Поставяне/смяна на инструмента (Рис.2)

- Извадете щепсела от контакта.
- Притиснете полиращото средство (1), центрирана на око, върху залепващия диск (2). Използвайте само полиращ инструмент без повреди.

4. УПЪТВАНЕ ЗА ЕКСПЛОАТАЦИЯ

- Включете щепсела в контакта.
- Включете полиращата машина (безблокиране) и я оставете да работи около 30 секунди. Проверете за неравномерно движение и вибрации.
- Изключете полиращата машина.

Пускане/спиране (ХРА9-125СЕ, ХРА15-150СЕ)

- За пускане на електроуредата натиснете прекъсвача за пускане/спиране (5) и го дръжте натиснат (Фиг.1).
- За да блокирате прекъсвача пускане / спиране (5) го натиснете надолу в предната част докато щракне.
- За да изключите електроуредата натиснете отново прекъсвача за пускане/спиране (5), когато е блокиран натиснете прекъсвача за пускане/спиране (5) за кратко надолу.

Пускане/спиране (ХРА21-150CED)

Кратковременно включване без блокиране

- Натиснете прекъсвача (5) и задръжте.
- За изключване пуснете прекъсвача (5).

Непрекъсната работа с фиксиране

- Натиснете прекъсвача (5) и задръжте.
- За блокиране задръжте копчето за блокиране (6) натиснато и пуснете прекъсвача.
- За изключване натиснете прекъсвача (5) за малко и го пуснете.

Предварително избиране на числото на оборотите (ХРА9-125СЕ/15-150СЕ)

- За регулиране на работните обороти поставете регулатора (7) на желаната стойност.

Позиции на регулатора на скоростта (ХРА9-125СЕ/15-150СЕ)

- 1 - 2000/2000 RPM 2 - 2800/2400 RPM 3 - 3200/2800 RPM
4 - 4200/3500 RPM 5 - 5200/3800 RPM 6 - 6400/4200 RPM

Предварително избиране на числото на оборотите (ХРА21-150CED)

- Натиснете клавиша за превключване (5)
- На цифровия дисплей се появяват цифрите $\square\square$
- За да увеличите скоростта, натиснете бутона +
- За да намалите скоростта, натиснете бутона -

Светодиоден индикатор	Цифров дисплей	Брой ходове (ход/мин)
● ○ ○ ○ ○ ○	20 - 22	2000 - 2200
● ● ○ ○ ○ ○	24 - 26	2400 - 2600
● ● ● ○ ○ ○	28 - 30	2800 - 3000
● ● ● ● ○ ○	33 - 36	3300 - 3600
● ● ● ● ● ○	39 - 42	3900 - 4200
● ● ● ● ● ●	45 - 48	4500 - 4800

УКАЗАНИЯ ЗА РАБОТА

ВНИМАНИЕ! След изключване приставката за шлайфане продължава за кратко да се движи.

УКАЗАНИЕ! След смяна на инструмент (напр. вълнено кече вместо полираща гъба) могат да възникнат засилени вибрации поради разликата в теглото. Променете работните обороти върху регулатора докато вибрациите не се редуцират.

- Включете машината преди поставянето върху повърхността, която ще се полира и я оставете да достигне настроените обороти.
- Движете полир машината с леко притискане с кръгообразни, припокриващи се движения върху повърхността, която се полира, за да постигнете добри резултати при полиране и дълги периоди на експлоатация на инструмента.
- При чувствителни повърхности (например автомобилни лакове) не работете агресивно, а на ниски обороти и лек натиск.
- При използването на полираща паста използвайте за всяка паста нов инструмент.

ОБСЛУЖВАНЕ И ПОДДРЪЖКА

ПРЕДУПРЕЖДЕНИЕ! Преди всякакви работи по полиращата машина изключете щепсела от контакта.

Почистване

- Почиствайте уреда и въздушните отвори редовно. Честотата зависи от обработваните материали и от продължителността на използване.
- Издухвайте вътрешността на корпуса с мотора със сух въздух.

Четки

УКАЗАНИЕ! За смяна използвайте само оригинални части на производителя. При използване на чужди изделия ангажиментът за гаранция на производителя отпада.

По време на работа огънят може да сенаблюдава през задните отвори за въздух. При силен огън веднага изключете полиращата машина.

Занесете полиращата машина в оторизиран от производителя специализиран сервис.

Скоростна кутия

УКАЗАНИЕ! По време на действие на гаранционния срок не развивайте винтовете на предавателната глава (2).

При неспазване отпадат задълженията за гаранция на производителя.

Смяна на износващите се части

Смяна на залепващия диск (Рис.3)

- Изтеглете щепсела.
- Отстранете полиращия инструмент.
- Поставете машината върху гърбай.
- Разхлабете винта (2) с гаечен ключ (1) и ги свалете.

- Свалете износения залепващ диск (3).
- Отстранете замърсяванията във вътрешността.
- Поставете нов залепващ диск и изравнете отворите за закрепване.
- Затегнете винта (2).
- Извършете пробен пуск. Проверете задисбаланс и вибрации.

ТЕХНИЧЕСКИ ДАННИ

	XPA9-125CE	XPA15-150CE	XPA21-150CED
Поставка за инструмент Ø (мм)	125	150	150
Ход (мм)	9	15	21
Брой ходове (ход/мин)	2000-6400	2000-4200	2000-4800
Консумирана мощност (Вт)	650	900	950
Тегло (кг)	2	2,6	3
Защитен клас		II	

A-претеглено ниво на шума съгласно EN 62841

Праг на налягане на шума LpA dB(A) 89 84,3 87

Праг на нивото на шума LWA dB(A) 100 95,5 98

Колебание K db 3,0

Обща стойност за вибрации съгласно EN 62841

Стойност на емисия ah m/s² 3,09 13,469 3,06

Колебание K m/s² 1.5

АКСЕСОАРИ

Полировъчна подложка, допълнителна дръжка, предно капаче, гаечен ключ, въглеродни четки.

ДЕКЛАРАЦИЯ ЗА СЪОТВЕТСТВИЕ

STATUS ITALIA S.R.L. заявява, че долуизброените продукти с марка STATUS:

Машини за полиране: XPA9-125CE, XPA15-150CE, XPA21-150CED

Са произведени в съответствие със следните директиви на ЕС:

2006/42/ЕС, 2014/30/EU

Също така съответстват на изброените стандарти:

EN 60745-1:2009 + A11:2010, EN 60745-2-4:2009+A11:2011,

EN 55014-1:2006+A1:2009+A2:2011, EN 55014-2:1997+A1:2001+A2:2008,

EN 61000-3-2:2014, EN 61000-3-3:2013.

Техническата документация се пази при производителя:

STATUS ITALIA S.R.L., via Aldo Moro, 14/A, 36060 - Pianezze (VI), ITALY

Карон Джиасинто
Директор
STATUS ITALIA S.R.L.

ОСНОВНЫЕ ПРАВИЛА БЕЗОПАСНОСТИ



ВНИМАНИЕ! Прочтите всю инструкцию до конца. Незнание правил пользования может привести к травмам, или выходу изделия из строя.

СОХРАНИТЕ ЭТУ ИНСТРУКЦИЮ

1) РАБОЧЕЕ МЕСТО

- Рабочее место должно быть чистым и хорошо освещённым.
- На рабочем месте не должны находиться легковоспламеняющиеся жидкости, в воздухе должны отсутствовать пыль и газы. В процессе работы возможно искрение инструмента, что может привести к взрыву или возгоранию.
- В зоне работы должны отсутствовать дети и посторонние лица.

2) ЭЛЕКТРОБЕЗОПАСНОСТЬ

- Вилка подключения прибора должна отвечать штепсельной розетке. Не производите на вилке никаких изменений.
- Избегайте контакта с заземленными поверхностями, трубами, системами отопления, электроплитами и холодильниками.
- Защищайте изделие от воздействия дождя и сырости. Проникновение воды в корпус изделия может привести к поражению током.
- Не используйте кабель не по назначению, не используйте его для подвешивания или переноски изделия. Оберегайте кабель от воздействия высоких температур, масла, острых кромок или движущихся частей инструмента. Поврежденный или запутанный кабель может стать причиной поражения электротоком.
- При работе с изделием под открытым небом используйте только такой удлинительный кабель, который разрешен для наружного применения.

3) ЛИЧНАЯ БЕЗОПАСНОСТЬ

- Будьте внимательны, следите за тем что Вы делаете и выполняйте работу обдуманно. Запрещается работать изделием, если вы больны или находитесь в состоянии алкогольного или наркотического опьянения. Это может привести к травме.
- Одевайтесь правильно. Одежда не должна быть излишне свободной. Снимите ювелирные украшения и спрячьте волосы под головной убор.
- Избегайте случайного включения изделия. Перед тем как вставить вилку в розетку убедитесь, что выключатель изделия стоит в положении «Выкл».
- Перед включением изделия убедитесь в том, что из него удалены инструменты для регулировки и установки оснастки (ключи и т.п.).
- Обеспечьте себе удобное и устойчивое положение во время работы. Потеря равновесия может привести к травме
- Применяйте средства индивидуальной защиты. Обязательно одевайте защитные очки. При необходимости применяйте пылезащитную маску, нескользящую обувь и защитный шлем.

4) ЭКСПЛУАТАЦИЯ ИЗДЕЛИЯ

- Используйте тиски или иные зажимы для надежной фиксации заготовки.
- Не перегружайте изделие. Используйте для определенных видов работ только предназначенный для них инструмент. Использование специализированного инструмента сделает Вашу работу легкой и безопасной.
- Не используйте изделие с неисправным выключателем. Изделие, не поддающееся включению или выключению должно быть немедленно отремонтировано.
- Обязательно отключайте изделие от сети во время проведения операций по его регулировке и смене оснастки. Это поможет предотвратить случайное включение изделия.
- Храните изделие в местах, недоступных детям, и лицам, не имеющим навыков работы.
- Тщательно ухаживайте за изделием, применяемая с ним оснастка должна быть чистой и в рабочем состоянии. Хорошо заточенная оснастка сделает Вашу работу быстрой и качественной.
- Проверяйте легкость хода, целостности и отсутствие повреждений на подвижных и корпусных деталях изделия. В случае обнаружения неисправности, прекратите эксплуатацию изделия и немедленно сдайте его в ремонт.
- Используйте принадлежности и оснастку рекомендованную для данного вида изделия.

5) СЕРВИС

- Сервисное обслуживание изделия должно проводиться в авторизованных сервисных центрах. Обслуживание неквалифицированными лицами может привести к травмам и выходу изделия из строя.
- При ремонте и сервисном обслуживании должны применяться запчасти и расходные материалы поставляемые в сервисный центр производителем изделия. Использование неоригинальных запасных частей может нарушить нормы электробезопасности изделия.

ПРАВИЛА БЕЗОПАСНОЙ РАБОТЫ ПОЛИРОВАЛЬНОЙ МАШИНОЙ

- Этот электроинструмент следует использовать только в качестве полировальной машины. Обратите внимание на все полученные вместе с изделием указания по технике безопасности, инструкции, изображения и информацию. Несоблюдение Вами приведенных ниже указаний может привести к поражению током, пожару и/или к тяжелым травмам.
- Данное изделие не предназначено для шлифования абразивными шлифовальными кругами и наждачной бумагой, для работы с проводочными щетками и абразивными отрезанными кругами. Использование данного изделия не по назначению может привести к выходу его из строя и травмированию пользователя.

2. ПРАВИЛА БЕЗОПАСНОЙ РАБОТЫ ПОЛИРОВАЛЬНОЙ МАШИНОЙ

- **Не используйте принадлежности, которые не предназначены или не рекомендованы изготовителем специально для данного изделия.** Даже если Вы смогли закрепить принадлежность на своей машине, это еще не гарантирует надежность ее использования.
- **Допустимое число оборотов рабочего инструмента должно быть не меньше указанного на маркировочной табличке изделия максимального числа оборотов.** Оснастка, которая вращается быстрее, чем допустимо для нее, может разрушиться в процессе работы и нанести травмы оператору.
- **Наружный диаметр и толщина рабочего инструмента должны соответствовать указанным на маркировочной табличке Вашего изделия размерам.** Оснастка с несоответствующими размерами не позволяет обеспечить достаточную защиту оператора и контроль над изделием во время работы.
- **Резьба на сменной оснастке должна точно подходить к резьбе шпинделя изделия. В сменных рабочих инструментах, монтируемых с помощью фланца, диаметр отверстий рабочего инструмента должен подходить к диаметру отверстий во фланце.** Рабочие инструменты, которые не соответствуют по посадочным размерам Вашей полировальной машине, вращаются неравномерно, подвержены сильной вибрации и могут привести к потере контроля при работе и травмам.
- **Не используйте дефектные рабочие инструменты.** Проверяйте каждый раз перед использованием рабочие инструменты, как то, шлифовальные круги, на сколы и трещины, шлифовальные тарелки на трещины, глубокие царапины или сильный износ, проволочные щетки на незакрепленные или поломанные проволоки. После падения изделия или оснастки проверьте их на наличие повреждений. После проверки и установки оснастки займите рабочее положение за пределами плоскости вращения диска, и включите изделие на одну минуту на максимальное число оборотов. Поврежденные рабочие инструменты в большинстве случаев разрушаются сразу во время проверки.
- **Используйте индивидуальные средства защиты.** В зависимости от вида применения пользуйтесь защитным щитком для лица или защитными очками. Если есть необходимость, воспользуйтесь противопылевым респиратором, средствами для защиты органов слуха, защитными перчатками или специальным фартуком, который будет защищать Вас от мелких абразивных частиц и частиц материала. Противопылевой респиратор или фильтрующая защитная маска должны фильтровать пыль, образующуюся во время сухой полировки.
- **Следите за тем, чтобы посторонние лица находились на безопасном расстоянии от Вашего рабочего места.** Каждый, приближающийся к рабочему месту должен использовать индивидуальные средства защиты. Осколки обрабатываемой заготовки или разрушившейся оснастки могут отлететь в сторону и привести к телесным повреждениям даже за пределами рабочего места.

2. ПРАВИЛА БЕЗОПАСНОЙ РАБОТЫ ПОЛИРОВАЛЬНОЙ МАШИНОЙ

- Регулярно очищайте вентиляционные отверстия электроинструмента. Вентилятор электродвигателя засасывает пыль в корпус, а чрезмерное скопление металлической пыли может привести к опасности от поражения электрическим током.
 - Не пользуйтесь электроинструментом вблизи горючих материалов. Искры могут воспламенить эти материалы.
 - Не применяйте принадлежности, работа с которыми требует использование охлаждающих жидкостей. Применение воды или других охлаждающих жидкостей может привести к поражению или удару электрическим током.
 - При работе в пыльной среде вентиляционные отверстия машины следует поддерживать в чистоте. Электроинструмент будет перегреваться при нарушении охлаждения вследствие забитых пылью вентиляционных отверстий.
- Указания по безопасности работы**
- Обратный удар (отскок) и связанные с ним указания по безопасности**
- Обратный удар - это внезапная реакция, являющаяся следствием заклинивания или блокировки принадлежности, например шлифовального диска, эластичного диска, проволочной щетки и т.п.
- Заклинивание или блокировка ведет к внезапной остановке вращения диска, что, со своей стороны, толкает неконтролируемый электроинструмент в сторону, противоположную направлению вращения рабочего инструмента в точке заклинивания. Например, если шлифовальный диск заклинит или блокирует в деталь (заготовку), то погруженная в заготовку кромка шлифовального диска застревает, вследствие чего диск может сломаться или спровоцировать отскок. Шлифовальный диск отскакивает в сторону оператора или от него, в зависимости от направления вращения диска в месте блокировки.
- В этом случае шлифовальный диск может сломаться. Обратный удар является следствием неправильного использования и/или неправильной эксплуатации или условий работы с электроинструментом, и может быть предотвращен благодаря нижеописанным мерам предосторожности.
- Держите крепко электроинструмент, примите подходящую позу и поставьте руки таким образом, чтоб Вы смогли противодействовать силе обратного удара. Всегда используйте дополнительную рукоятку при ее наличии, чтобы как можно лучше противодействовать и осуществлять контроль над силой отскока или реактивным моментом при запуске.
 - При обработке углов, острых кромок и проч., работайте с повышенным вниманием. Не позволяйте диску отскакивать или блокироваться в заготовке. При обработке углов и острых кромок имеется вероятность заклинивания вращающегося диска, что может привести к потере контроля или отскоку.
 - Не используйте циркулярные диски для обработки древесины. Данные принадлежности часто являются причиной отскока или потери контроля над электроинструментом.
 - Фиксируйте положение обрабатываемой детали в тисках или иным способом.

ОПИСАНИЕ**Назначение изделия**

Эта ручная эксцентриковая полировальная машинка предназначена

- для промышленного использования на производстве и в мастерских,
- для выполнения полировальных работ любого вида, например, для полирования лакированной поверхности автомобилей, полирования мебели, поверхности металла и т.д. спомощью полировальных губок, овчины и шерсти
- для использования в комплекте сполировальными инструментами, которые рассчитаны на работу при скорости вращения как минимум 500 об./мин.

Рис.1

1. Кожух с ручкой обрзезиненный
2. Корпус редуктора
3. Дополнительная передняя рукоятка
4. Диск с липучкой
5. Клавиша выключателя
6. Кнопка фиксации выключателя (ХРА21-150CED)
7. Регулятор скорости (ХРА9-125CE/15-150CE)
8. Кнопки регулировки скорости (ХРА21-150CED)
9. Цифровой дисплей (ХРА21-150CED)
10. Светодиодный индикатор (ХРА21-150CED)

Рис.2

1. Полировальная накладка
2. Диск с липучкой

Рис.3

1. Шестигранный ключ
2. Винт крепления диска
3. Диск с липучкой

ИНСТРУКЦИЯ ПО ЭКСПЛУАТАЦИИ

ПРЕДУПРЕЖДЕНИЕ! Перед началом любых работ по техобслуживанию полировальной машинки обязательно извлекайте вилку из розетки.

Перед вводом в эксплуатацию

Распакуйте полировальную машинку, проверьте комплектность поставки и проконтролируйте машинку на отсутствие транспортных повреждений.

Крепление или замена инструмента (Рис.2)

- Извлеките вилку из розетки.
- Отцентрировав полировальный инструмент (1) на глаз, плотно прижмите его к диску с липучкой (2).

Пользуйтесь только абсолютно целым полировальным инструментом.

- Вставьте вилку в розетку.
- Включите полировальную машину и дайте ей поработать в течение примерно 30 секунд. Проследите, чтобы диск вращался без биений и вибрации.
- Выключите полировальную машину.

Включение/выключение изделия (ХРА9-125CE, ХРА15-150CE)

- Для включения изделия сдвиньте клавишу выключателя (5) вперед.
- При продолжительной работе клавишу можно зафиксировать во включенном положении нажав на её переднюю часть до щелчка.
- Для выключения изделия нажмите на заднюю часть клавиши чтобы снять её с фиксатора и сдвиньте клавишу на себя. Изделие выключится.

Включение/выключение изделия (ХРА21-150CED)**Кратковременный режим работы без фиксации выключателя**

- Нажмите выключатель (5) и удерживайте его в нажатом положении.
- Для выключения машинки отпустите выключатель.

Продолжительный режим работы с фиксацией выключателя

- Нажмите выключатель (5) и удерживайте его в нажатом положении.
- Для фиксации положения выключателя нажмите кнопку (6), а клавишу (5) отпустите.
- Для выключения изделия кратковременно нажмите клавишу (5).

Выбор числа оборотов (ХРА9-125CE, ХРА15-150CE)

- Число оборотов выбирается установкой колеса регулятора (7) в одну из 6 позиций. Ниже приведены примерные значения числа оборотов по позициям.

Число оборотов по позициям регулятора (ХРА9-125CE/ХРА15-150CE)

- 1 - 2000/2000 об/мин.
- 2 - 2800/2400 об/мин.
- 3 - 3200/2800 об/мин.
- 4 - 4200/3500 об/мин.
- 5 - 5200/3800 об/мин.
- 6 - 6400/4200 об/мин.

Выбор числа оборотов (ХРА21-150CED)

- Слегка нажмите клавишу (5). На дисплее (9) появятся цифры □□
- Увеличивайте значение скорости вращения нажатием кнопки + (8).
- Для уменьшения значения скорости нажимайте кнопку -.

Значения скорости вращения и отображение её на дисплее и светодиодном индикаторе

Светодиодный индикатор	Цифровой дисплей	Скорость (об/мин)
●○○○○○	20 - 22	2000 - 2200
●●○○○○	24 - 26	2400 - 2600
●●●○○○	28 - 30	2800 - 3000
●●●●○○	33 - 36	3300 - 3600
●●●●●○	39 - 42	3900 - 4200
●●●●●●	45 - 48	4500 - 4800

УКАЗАНИЯ ПО РАБОТЕ

ВНИМАНИЕ!

После выключения машинки полировальный инструмент еще некоторое время продолжает вращаться.

УКАЗАНИЕ

После замены инструмента (например, когда вместо полировальной губки устанавливается шерстяной круг) из-за разницы в весе не исключено возникновение повышенной вибрации. В этом случае изменяйте рабочую скорость вращения с помощью регулятора до тех пор, пока вибрация не снизится до допустимого уровня.

- Прежде чем поднести изделие к полируемой поверхности, его следует включить и дать набрать установленные обороты.
- Для достижения хороших результатов полирования и продолжительного срока службы инструмента, выполняйте изделием круговые движения по полируемой поверхности с легким нажимом и таким образом, чтобы образующиеся круги перекрывались.
- При обработке «чувствительных» поверхностей (например, лакового покрытия автомобилей) не следует прилагать слишком большое усилие, работать нужно на низких оборотах и лишь слегка прижимать изделие к поверхности.
- При применении полировальной пасты необходимо для каждого вида пасты использовать отдельную полировочную насадку.

ТЕХОБСЛУЖИВАНИЕ И УХОД

ПРЕДУПРЕЖДЕНИЕ!

Перед началом любых работ по техобслуживанию полировальной машинки обязательно извлекайте ее вилок из розетки.

Чистка

- Регулярно проводите чистку машинки и ее вентиляционных отверстий. Как часто это следует выполнять, зависит от обрабатываемого материала и продолжительности использования изделия.
- Двигатель изделия и ее корпус изнутри следует продувать сухим сжатым воздухом.

Угольные щетки

УКАЗАНИЕ Дефектные детали следует заменять только на запчасти, производимые фирмой-изготовителем изделия. При использовании запчастей производства других фирм аннулируется право пользователя на гарантийное обслуживание.

При сильном искрении щеток во время работы полировальную машину следует немедленно выключить. После чего ее следует отдать на ремонт в авторизованную мастерскую.

Редуктор.

Самостоятельная разборка редуктора в гарантийный период запрещена.

Замена тарелки с липучкой (Рис.3)

- Извлеките вилок из розетки.
- Снимите полировальную губку.
- Выверните крепежный винт (2) ключом (1), снимите тарелку с липучкой (3).
- Удалите загрязнения из внутренней полости корпуса редуктора.
- Наденьте новую тарелку с липучкой и совместите крепежные отверстия.
- Установите винт в резьбовое отверстие шпинделя и туго затяните его.
- Выполните пробный пуск. Проверьте диск на дисбаланс и вибрацию.

ТЕХНИЧЕСКИЕ ДАННЫЕ

МОДЕЛЬ	XPA9-125CE	XPA15-150CE	XPA21-150CED
Диаметр диска Velcro (мм)	125	150	150
Ход (мм)	9	15	21
Число оборотов (об/мин)	2000-6400	2000-4200	2000-4800
Потребляемая мощность (Вт)	650	900	950
Вес (кг)	2	2,6	3
Класс защиты		II	
Измеренный уровень шума по шкале А в соответствии с EN 62841			
Уровень звукового давления LpA	89 dB(A)	84,3 dB(A)	87 dB(A)
Уровень звуковой мощности LWA	100 dB(A)	95,3 dB(A)	98 dB(A)
Погрешность К		3,0	
Значение общего уровня вибрации в соответствии с EN 62841			
Уровень эмиссии ah	3,09 m/s ²	13,469 m/s ²	3,06 m/s ²
Погрешность К		1.5 m/s ²	

КОМПЛЕКТАЦИЯ

Полировальная машина, полировальная губка, дополнительная рукоятка, защита передняя, ключ, комплект угольных щеток, инструкция, упаковка.*

*- производитель оставляет за собой право на изменение технических параметров изделия и его комплектации без предварительного уведомления.

ДЕКЛАРАЦИИ СООТВЕТСТВИЯ


STATUS ITALIA S.R.L. заявляет, что изделия торговой марки STATUS: Машины полировальные XPA9-125CE, XPA15-150CE, XPA21-150CED изготовлены в соответствии со следующими директивами ЕС: 2006/42/ЕС, 2014/30/EU.

А так же соответствует нижеперечисленным стандартам:

EN 60745-1:2009 + A11:2010, EN 60745-2-4:2009+A11:2011, EN 55014-1:2006+A1:2009+A2:2011, EN 55014-2:1997+A1:2001+A2:2008, EN 61000-3-2:2014, EN 61000-3-3:2013.

Техническая документация хранится у производителя:

STATUS ITALIA S.R.L., Виа Альдо Моро, 14/А, 36060 - Пьянецце (VI), Италия


Карон Джасинто
Директор
STATUS ITALIA S.R.L.

Изделия соответствуют требованиям следующих технических регламентов Таможенного Союза: ТР ТС 004/2011, ТР ТС 010/2011, ТР ТС 020/2011.
Информация о сертификате находится на сайте www.status-tools.com.
Изготовитель: СТАТУС ИТАЛИЯ С.р.л. Виа Альдо Моро, 14/А, 36060 Пьянецце, Италия, Сделано в КНР.
Представитель в России:
ООО «ИНСТАТУС» 105005, г. Москва, ул.Бауманская, д.7.