

HITACHI

Router

Oberfräse

Ρούτερ

Frezarka

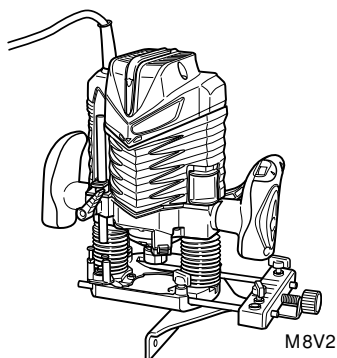
Felsőmaró

Fréza

Freze

Фрезеровальная машина

M 8V2 · M 8SA2



Read through carefully and understand these instructions before use.

Diese Anleitung vor Benutzung des Werkzeugs sorgfältig durchlesen und verstehen.

Διαβάστε προσεκτικά και κατανοήστε αυτές τις οδηγίες πριν τη χρήση.

Przed użytkowaniem należy dokładnie przeczytać niniejszą instrukcję i zrozumieć jej treść.

Használat előtt olvassa el figyelmesen a használati utasítást.

Před použitím si pečlivě přečtěte tento návod a ujistěte se, že mu dobře rozumíte.

Aleti kullanmadan önce bu kılavuzu iyice okuyun ve talimatları anlayın.

Внимательно прочтите данную инструкцию по эксплуатации прежде чем пользоваться инструментом.



Handling instructions

Bedienungsanleitung

Οδηγίες χειρισμού

Instrukcja obsługi

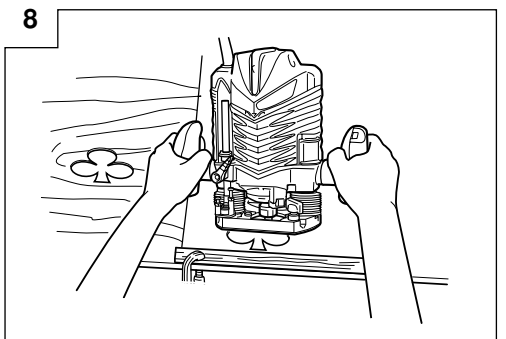
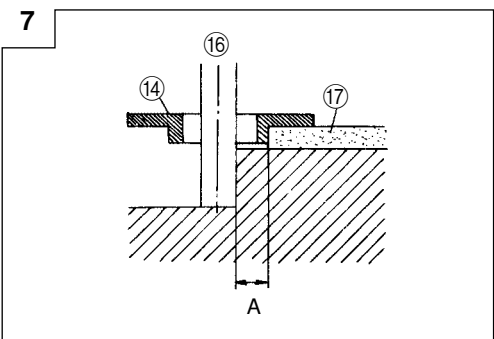
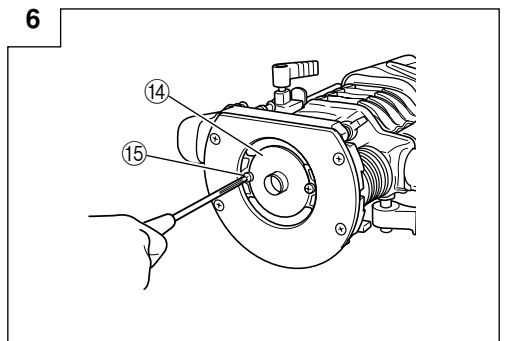
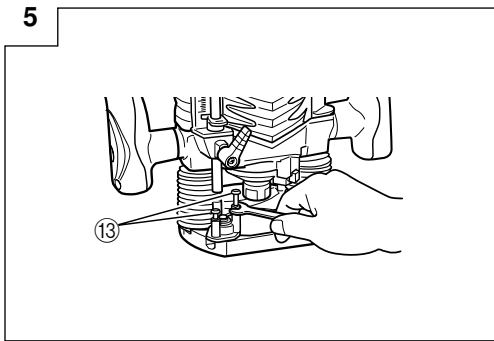
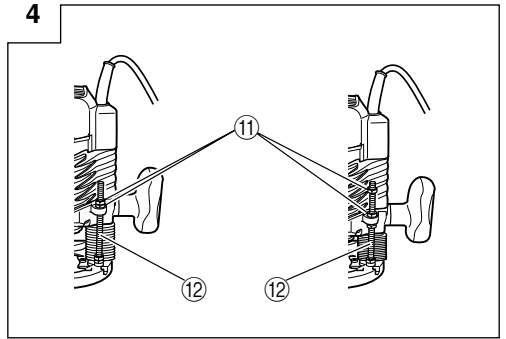
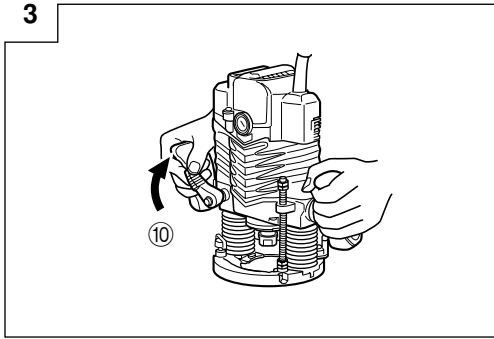
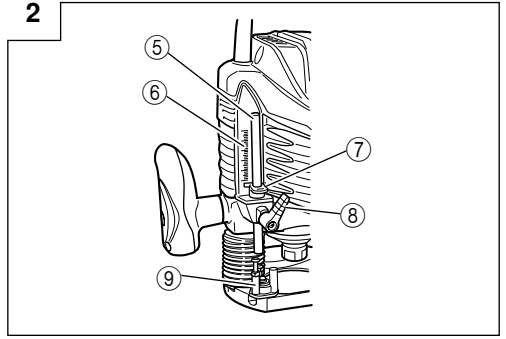
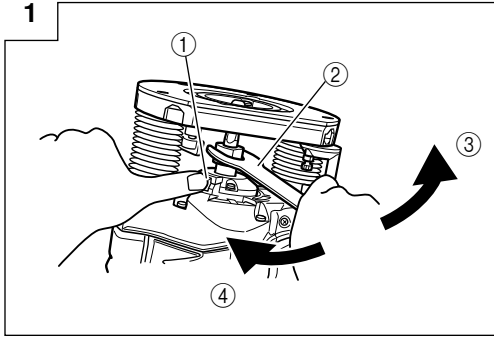
Kezelési utasítás

Návod k obsluze

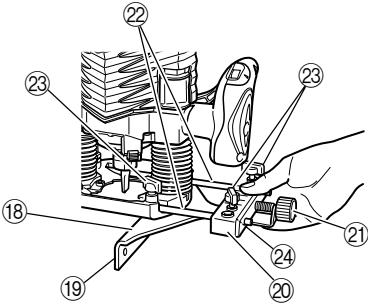
Kullanım talimatları

Инструкция по эксплуатации

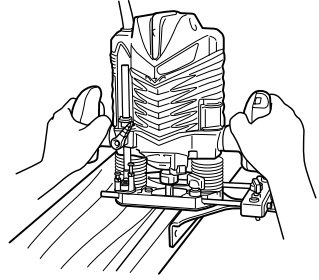
Hitachi Koki



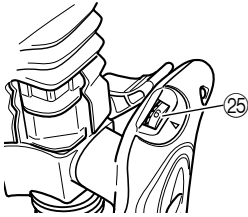
9



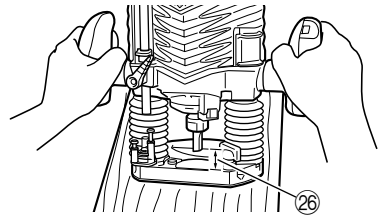
10



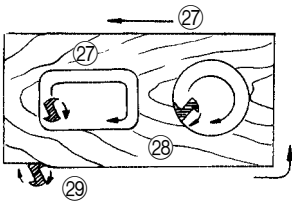
11



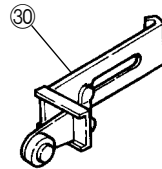
12



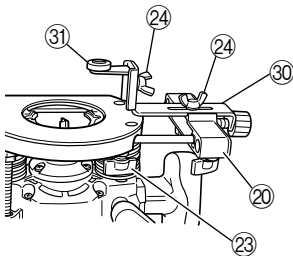
13



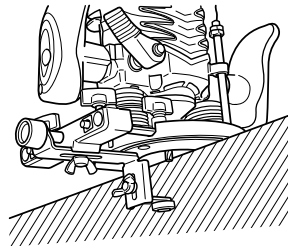
14



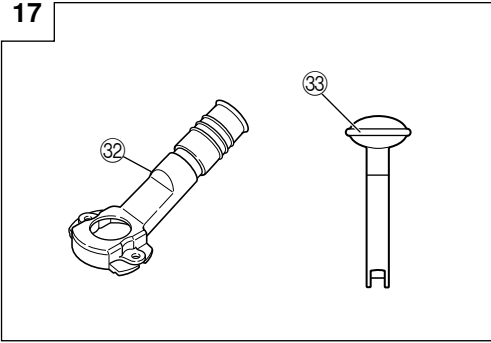
15



16



17



	English	Deutsch	Ελληνικά	Polski
①	Lock pin	Arretierstift	Πείρος ασφάλισης	Kołek blokujący
②	Wrench	Schraubenschlüssel	Κλειδί	Klucz
③	Loosen	Lockern	Χαλαρώστε	Poluzować
④	Tighten	Anziehen	Σφίξτε	Dokręcić
⑤	Stopper pole	Anschlagstift	Πείρος αναστολής	Prowadnica dystansowa
⑥	Scale	Skala	Κλίμακα	Podziałka
⑦	Depth indicator	Tiefe-Indikator	Δείκτης βάθους	Wskaźnik głębokości
⑧	Pole lock knob	Schftarretierungsknopf	Διακόπτης πείρου ασφάλισης	Pokrętko zaciskowe prowadnicy
⑨	Stopper block	Anschlagblock	Τάκος αναστολής	Element dystansowy
⑩	Loosen the lock lever	Lösen des Sicherungshebels	Χαλαρώστε τον μοχλό του πείρου	Zwolnienie dźwigni blokady
⑪	Nut	Mutter	Παξιμάδι	Śruba
⑫	Threaded column	Gewindestab	Σπειροειδής στήλη	Gwintowana kolumna
⑬	Cut depth setting screw	Einstellschraube der Frästiefe	Παξιμάδι ρύθμισης βάθους κοπής	Śruba nastawcza głębokości cięcia
⑭	Template guide	Schablonenführung	Οδηγός μοντέλου	Prowadnica wzornika
⑮	Screw	Schraube	Παξιμάδι	Śruba
⑯	Bit	Fräse	Φρέζα	Frez
⑰	Template	Schablone	Μοντέλο	Wzornik
⑱	Straight guide	Gerade Führung/Parallelanschlag	Ευθύς οδηγός	Prowadnica wzdłużna
⑲	Guide plane	Führungsebene	Οδηγός επιφάνειας	Płaszczyzna prowadzenia
⑳	Bar holder	Stangenhalter	Συγκρατητήρας διευθύντριας ράβδου	Uchwyt mocujący
㉑	Feed screw	Vortriebschraube	Παξιμάδι τροφοδότησης	Śruba regulacyjna
㉒	Guide bar	Führungsstangen	Διευθύντρια ράβδος	Prowadnica
㉓	Wing bolt (A)	Flügelschraube (A)	Πεταλούδα (A)	Śruba skrzydełkowa (A)
㉔	Wing bolt (B)	Flügelschraube (B)	Πεταλούδα (B)	Śruba skrzydełkowa (B)
㉕	Dial	Einstellscheibe	Επιλογέας	Tarcza regulacyjna
㉖	Separate	Abstand	Διαχωρίστε	Odstęp
㉗	Router feed	Vorschub der Oberfräse	Τροφοδότηση ρούτερ	Posuw frezarki pionowej
㉘	Workpiece	Werkstück	Κομμάτι για κατεργασία	Obrabiany element
㉙	Rotation of bit	Drehrichtung der Fräse	Περιστροφή φρέζας	Kierunek obrotu frezu
㉚	Trimmer guide	Führung für das Zurichten	Οδηγός κοπής	Prowadnica okrojnika
㉛	Roller	Walze	Κύλινδρος	Rolka
㉜	Dust collector set	Staubfängersatz	Διάταξη απαγωγής σκόνης	System odprowadzania pyłu
㉝	Fine adjustment knob	Feineinstellknopf	Κουμπί ρύθμισης ακριβείας	Pokrętko precyzyjnej regulacji

	Magyar	Čeština	Türkçe	Русский
①	Rögzítő csap	Pojistný kolík	Kilit pimi	Стопорный штифт
②	Csavar kulcs	Klíč	Anahtar	Гаечный ключ
③	Meglazít	Uvolnit	Gevşet	Ослабить
④	Meghúz	Dotáhnout	Sıkıştır	Затянуть
⑤	Fékrúd	Tyčka zárážky	Stoper direk	Ограничитель
⑥	Beosztás	Stupnice	Ölçek	Шкала
⑦	Mélységjelző	Ukazatel hloubky	Derinlik göstergesi	Индикатор глубины
⑧	Rúd rögzítő gomb	Pojistný otočný knoflík tyčky	Direk kilitleme topuzu	Стопорная рукоятка
⑨	Fékblokk	Téleso zárážky	Stoper bloğu	Стопорный блок
⑩	Lazítsa meg a rögzítő kart	Uvolněte pojistnou páčku.	Kilit kolu gevşetin	Ослабить стопорную рукоятку
⑪	Anyacsavar	Matic	Somun	Гайка
⑫	Menetes oszlop	Závitová tyč	Çıvata sütun	Стержень с резьбой
⑬	Vágásmélység beállító csavar	Seřizovací šroub hloubky frézování	Kesme derinliği ayar vidası	Винт установки глубины резания
⑭	Sablon vezető	Vedení šablony	Şablon kılavuzu	Регулятор шаблона
⑮	Csavar	Šroub	Vida	Винт
⑯	Fűrőhegy	Nástavec	Uç	Резец
⑰	Sablon	Šablona	Şablon	Шаблон
⑱	Egyenes vezető	Přímé vedení	Doğrusal kılavuzu	Прямое направляющее устройство
⑲	Vezető sík	Vodící plocha	Kılavuz düzlemi	Направляющая пластина
⑳	Rúdtartó	Držák tyčky	Çubuk tutucu	Фиксатор бруса
㉑	Adagolócsiga	Posuvový šroub	Besleme vidası	Ходовой винт
㉒	Vezető rúd	Vodící tyčka	Kılavuz çubuk	Опорный брус
㉓	Szárnyas csavar (A)	Šroub s křídlovou hlavou (A)	Kelebek civatası (A)	Стопорный болт с загнутым стержнем (A)
㉔	Szárnyas csavar (B)	Šroub s křídlovou hlavou (B)	Kelebek civatası (B)	Стопорный болт с загнутым стержнем (B)
㉕	Tárcsa	Stupnice	Kadran	Градуированный диск
㉖	Különválasztó	Vzdálenost	Ayırma	Разъединить
㉗	Felsőmaró toló	Posuv horní frézky	Freze besleme	Система питания фрезерного станка
㉘	Munkadarab	Obrobek	İş parçası	Заготовка
㉙	Fűrőhegy forgása	Otáčení nástavce	Ucun dönüş yönü	Вращение резца
㉚	Szélező vezető	Vedení lemovače	Kırpm kılavuzu	Направляющая обрезающего станка
㉛	Henger	Kladka	Teker	Валик
㉜	Porgyűjtő készlet	Montážní sada lapače prachu	Toz toplama takımı	Устройство для сбора пыли
㉝	Finombeállító gomb	Otočný regulátor jemného seřizení	İnce ayar topuzu	Рукоятка точной регулировки

GENERAL SAFETY RULES

WARNING!

Read all instructions

Failure to follow all instructions listed below may result in electric shock, fire and/or serious injury.

The term "power tool" in all of the warnings listed below refers to your mains operated (corded) power tool or battery operated (cordless) power tool.

SAVE THESE INSTRUCTIONS

1) Work area

- a) **Keep work area clean and well lit.**
Cluttered and dark areas invite accidents.
- b) **Do not operate power tools in explosive atmospheres, such as in the presence of flammable liquids, gases or dust.**
Power tools create sparks which may ignite the dust of fumes.
- c) **Keep children and bystanders away while operating a power tool.**
Distractions can cause you to lose control.

2) Electrical safety

- a) **Power tool plugs must match the outlet. Never modify the plug in any way. Do not use any adapter plugs with earthed (grounded) power tools.**
Unmodified plugs and matching outlets will reduce risk of electric shock.
- b) **Avoid body contact with earthed or grounded surfaces such as pipes, radiators, ranges and refrigerators.**
There is an increased risk of electric shock if your body is earthed or grounded.
- c) **Do not expose power tools to rain or wet conditions.**
Water entering a power tool will increase the risk of electric shock.
- d) **Do not abuse the cord. Never use the cord for carrying, pulling or unplugging the power tool. Keep cord away from heat, oil, sharp edges or moving parts.**
Damaged or entangled cords increase the risk of electric shock.
- e) **When operating a power tool outdoors, use an extension cord suitable for outdoor use.**
Use of a cord suitable for outdoor use reduces the risk of electric shock.

3) Personal safety

- a) **Stay alert, watch what you are doing and use common sense when operating a power tool. Do not use a power tool while you are tired or under the influence of drugs, alcohol or medication.**
A moment of inattention while operating power tools may result in serious personal injury.
- b) **Use safety equipment. Always wear eye protection.**
Safety equipment such as dust mask, non-skid safety shoes, hard hat, or hearing protection used for appropriate conditions will reduce personal injuries.
- c) **Avoid accidental starting. Ensure the switch is in the off position before plugging in.**
Carrying power tools with your finger on the switch or plugging in power tools that have the switch on invites accidents.
- d) **Remove any adjusting key or wrench before turning the power tool on.**

A wrench or a key left attached to a rotating part of the power tool may result in personal injury.

- e) **Do not overreach. Keep proper footing and balance at all times.**
This enables better control of the power tool in unexpected situations.
 - f) **Dress properly. Do not wear loose clothing or jewellery. Keep your hair, clothing and gloves away from moving parts.**
Loose clothes, jewellery or long hair can be caught in moving parts.
 - g) **If devices are provided for the connection of dust extraction and collection facilities, ensure these are connected and properly used.**
Use of these devices can reduce dust related hazards.
- #### 4) Power tool use and care
- a) **Do not force the power tool. Use the correct power tool for your application.**
The correct power tool will do the job better and safer at the rate for which it was designed.
 - b) **Do not use the power tool if the switch does not turn it on and off.**
Any power tool that cannot be controlled with the switch is dangerous and must be repaired.
 - c) **Disconnect the plug from the power source before making any adjustments, changing accessories, or storing power tools.**
Such preventive safety measures reduce the risk of starting the power tool accidentally.
 - d) **Store idle power tools out of the reach of children and do not allow persons unfamiliar with the power tool or these instructions to operate the power tool.**
Power tools are dangerous in the hands of untrained users.
 - e) **Maintain power tools. Check for misalignment or binding of moving parts, breakage of parts and any other condition that may affect the power tools operation.**
If damaged, have the power tool repaired before use.
Many accidents are caused by poorly maintained power tools.
 - f) **Keep cutting tools sharp and clean.**
Properly maintained cutting tools with sharp cutting edges are less likely to bind and are easier to control.
 - g) **Use the power tool, accessories and tool bits etc., in accordance with these instructions and in the manner intended for the particular type of power tool, taking into account the working conditions and the work to be performed.**
Use of the power tool for operations different from intended could result in a hazardous situation.
- #### 5) Service
- a) **Have your power tool serviced by a qualified repair person using only identical replacement parts.**
This will ensure that the safety of the power tool is maintained.

PRECAUTION

Keep children and infirm persons away. When not in use, tools should be stored out of reach of children and infirm persons.

PRECAUTIONS ON USING ROUTER

1. Single-hand operation is unstable and dangerous. Ensure that both handles are gripped firmly during operation.
2. The bit is very hot immediately after operation. Avoid bare hand contact with the bit for any reason.

SPECIFICATIONS

Model	M8V2	M8SA2
Voltage (by areas)*	(110V, 120V, 220V, 230V, 240V) √	
Power Input*	1150 W	900 W
Collet Chuck Capacity	8 mm or 1/4"	
No-load speed	11000 – 25000 min ⁻¹	25000 min ⁻¹
Main Body Stroke	60 mm	
Weight (without cord and standard accessories)	3.6 kg	3.5 kg

* Be sure to check the nameplate on product as it is subject to change by areas.

STANDARD ACCESSORIES

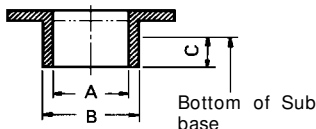
- (1) Straight Guide 1
- (2) Bar Holder 1
- Guide Bar 2
- Feed Screw 1
- Wing Bolt 1
- (3) Template Guide 1
- (4) Wrench 1
- (5) Wing Bolt (A) 4
- (6) Lock Spring 2
- (7) Dust collector set (Fig. 17) 1

Be sure to check standard accessories on product as it is subject to change by areas.

Standard accessories are subject to change without notice.

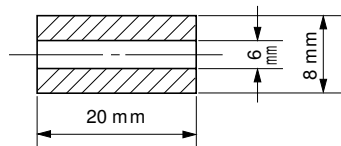
OPTIONAL ACESORIES - sold separately

- (1) Template Guide



A	B	C
16.5 mm	18 mm	4.5 mm
18.5 mm	20 mm	
25.5 mm	27 mm	
28.5 mm	30 mm	

- (2) Chuck Sleeve (8 6)



- (3) Trimmer Guide (Fig. 14)
- (4) Collet Chuck (8 mm)
- (5) Collet Chuck (1/4")
- (6) Fine adjustment knob (Fig. 17)

Optional accessories are subject to change without notice.

APPLICATIONS

- Woodworking jobs centered on grooving and chamfering.

PRIOR TO OPERATION

1. Power source

Ensure that the power source to be utilized conforms to the power requirements specified on the product nameplate.

2. Power switch

Ensure that the power switch is in the OFF position. If the plug is connected to a receptacle while the power switch is in the ON position, the power tool will start operating immediately, which could cause a serious accident.

3. Extension cord

When the work area is removed from the power source, use an extension cord of sufficient thickness and rated capacity. The extension cord should be kept as short as practicable.

INSTALLING AND REMOVING BITS

WARNING

Be sure to switch power OFF and disconnect the plug from the receptacle to avoid serious trouble.

1. Installing bits

- (1) Clean and insert shank of bit into the collet chuck until shank bottoms, then back it out approximately 2 mm.
- (2) With the bit inserted and pressing the lock pin holding the armature shaft, use the 23 mm wrench to firmly tighten the collet chunk in a clockwise direction (viewed from under the router). (Fig. 1)

CAUTION

- Ensure that the collet chuck is firmly tightened after inserting a bit. Failure to do so will result in damage to the collet chuck.
 - Ensure that the lock pin is not inserted into the armature shaft after tightening the collet chuck. Failure to do so will result in damage to the collet chuck, lock pin and armature shaft.
- (3) Be sure to use a chuck sleeve when using a 6 mm bit with a collet chuck capacity of 8 mm. First insert the chuck sleeve deeply in the collet chuck, then insert the bit in the chuck sleeve. Tighten the collet chuck firmly as in step (1) and (2).

2. Removing Bits

When removing the bits, do so by following the steps for installing bits in reverse order.

CAUTION

Ensure that the lock pin is not inserted into the armature shaft after tightening the collet chuck. Failure to do so will result in damage to the collet chuck, lock pin and armature shaft.

HOW TO USE THE ROUTER

1. Adjusting depth of cut (Fig. 2)

- (1) Use stopper pole to adjust depth of cut.
 - ① Place the tool on a flat wood surface.
 - ② Turn the stopper block so that section to which the cutting depth setting screw on a stopper block is not attached comes to the bottom of the stopper pole. Loosen pole lock knob allowing the stopper pole to contact with stopper block.
 - ③ Loosen the lock lever and press the tool body until the bit just touches the flat surface. Tighten the lock lever at this point. (Fig. 3)
 - ④ Tighten pole lock knob. Align the depth indicator with the "0" graduation of scale.
 - ⑤ Loosen pole lock knob, and raise until indicator aligns with the graduation representing the desired cutting depth. Tighten pole lock knob.
 - ⑥ Loosen the lock lever and press the tool body down until the stopper block to obtain the desired cutting depth.
- (2) As shown in Fig. 4 (a), loosening the two nuts on the threaded column and moving them down will allow you to move down to the end position of the bit when the lock lever is loosened. This is helpful when moving the router to align the bit with the cutting position.
As shown in Fig. 4 (b), tighten the upper and lower nuts to secure the cutting depth.

- (3) When you are not using the scale to set the cutting depth, push up the stopper pole so that it is not in the way.

2. Stopper block (Fig. 5)

The 2 cut-depth setting screws attached to the stopper block can be adjusted to simultaneously set 3 different cutting depths. Use a wrench to tighten the nuts so that the cut-depth setting screws do not come loose at this time.

3. Guiding the router

WARNING

Be sure to switch power OFF and disconnect the plug from the receptacle to avoid serious trouble.

(1) Template Guide

Use the template guide when employing a template for producing a large quantity of identically shaped products.

As shown in Fig. 6, secure the template guide to the base of the router with two accessory screws. At this time, ensure that the projection side of the template guide is facing the bottom surface of the base of the router.

A template is a profiling mold made of plywood or thin lumber.

When making a template, pay particular attention to the matters described below and illustrated in Fig. 7.

When using the router along the interior plane of the template, the dimensions of the finished product will be less than the dimensions of the template by an amount equal to dimension "A", the difference between the radius of the template guide and the radius of the bit. The reverse is true when using the router along the exterior of the template.

Secure the template to the workpiece. Feed the router in the manner that the template guide moves along the template as shown in Fig. 8.

(2) Straight guide (Fig. 9)

Use straight guide for chamfering and groove cutting along the materials side.

- ① Insert the guide bar into the hole in the bar holder, then lightly tighten the 2 wing bolts (A) on top of the bar holder.
 - ② Insert the guide bar into the hole in the base, then firmly tighten the wing bolt (A).
 - ③ Make minute adjustments of the dimensions between the bit and the guide surface with the feed screw, then firmly tighten the 2 wing bolts (A) on top of the bar holder and the wing bolt (B) that secures the straight guide.
 - ④ As shown in Fig. 10, securely attach the bottom of the base to processed surface of the materials. Feed the router while keeping the guide plane on the surface of the materials.
- #### 4. Adjusting the rotation speed (Model M8V2 only)
- The M8V2 has an electronic control system that allows stepless rpm changes.
As shown in Fig. 11, dial position "1" is for minimum speed, and position "6" for maximum speed.

5. Cutting

CAUTION

- Wear eye protection when operating this tool.
- Keep your hands, face and other body parts away from the bits and any other rotating parts, while operating the tool.

- (1) As shown in **Fig. 12**, remove the bit from the work pieces and press the switch lever up to the ON position. Do not start cutting operation until the bit has reached full rotating speed.
- (2) The bit rotates clockwise (arrow direction indicated on the base). To obtain maximum cutting effectiveness, feed the router in conformance with the feed directions shown in **Fig. 13**.

NOTE

If a worn bit is used to make deep grooves, a high pitched cutting noise may be produced.
Replacing the worn bit with a new one will eliminate the high pitched noise.

USING THE OPTIONAL ACCESSORIES

- (1) Trimmer Guide (**Fig. 14**)
Use the trimmer guide for trimming or chamfering. Attach the trimmer guide to the bar holder as shown in **Fig. 15**.
After aligning the roller to the appropriate position, tighten the two wing bolts (A) and the other two wing bolts (B). Use as shown in **Fig. 16**.
- (2) Fine adjustment knob (**Fig. 17**)
Connect the fine adjustment knob to adjust the depth of cut finely.
For installation methods, please refer to the handling instructions that came with the set.

MAINTENANCE AND INSPECTION

- 1. Oiling**
To ensure smooth vertical movement of the router, occasionally apply a few drops of machine oil to the sliding portions of the columns and end bracket.
- 2. Inspecting the mounting screws**
Regularly inspect all mounting screws and ensure that they are properly tightened. Should any of the screws be loose, retighten them immediately. Failure to do so could result in serious hazard.
- 3. Maintenance of the motor**
The motor unit winding is the very "heart" of the power tool.
Exercise due care to ensure the winding does not become damaged and/or wet with oil or water.
- 4. Inspecting the carbon brushes**
For your continued safety and electrical shock protection, carbon brush inspection and replacement on this tool should ONLY be performed by a HITACHI AUTHORIZED SERVICE CENTER.
- 5. Replacing supply cord**
If the supply cord of Tool is damaged, the Tool must be returned to Hitachi Authorized Service Center for the cord to be replaced.
- 6. Service parts list**

CAUTION

Repair, modification and inspection of Hitachi Power Tools must be carried out by a Hitachi Authorized Service Center.

This Parts List will be helpful if presented with the tool to the Hitachi Authorized Service Center when requesting repair or other maintenance.

In the operation and maintenance of power tools, the safety regulations and standards prescribed in each country must be observed.

MODIFICATION

Hitachi Power Tools are constantly being improved and modified to incorporate the latest technological advancements.

Accordingly, some parts may be changed without prior notice.

GUARANTEE

We guarantee Hitachi Power Tools in accordance with statutory/country specific regulation. This guarantee does not cover defects or damage due to misuse, abuse, or normal wear and tear. In case of complaint, please send the Power Tool, undismantled, with the GUARANTEE CERTIFICATE found at the end of this Handling instruction, to a Hitachi Authorized Service Center.

NOTE

Due to HITACHI's continuing program of research and development, the specifications herein are subject to change without prior notice.

Information concerning airborne noise and vibration

The measured values were determined according to EN 60745 and declared in accordance with ISO 4871.

M8V2

Measured A-weighted sound power level: 90 dB(A)
Measured A-weighted sound pressure level: 79 dB(A)
Uncertainty KpA: 3 dB(A)

The typical weighted root mean square acceleration value: 0.7 m/s².

M8SA2

Measured A-weighted sound power level: 90 dB(A)
Measured A-weighted sound pressure level: 79 dB(A)
Uncertainty KpA: 3 dB(A)

The typical weighted root mean square acceleration value: 0.9 m/s².

Wear ear protection.

ALLGEMEINE SICHERHEITSMASSNAHMEN

WARNUNG!

Lesen Sie sämtliche Hinweise durch

Wenn nicht sämtliche nachstehenden Anweisungen befolgt werden, kann es zu Stromschlag, Brand und/oder ernsthaften Verletzungen kommen.

Der Begriff „Elektrowerkzeug“ bezieht sich in den folgenden Warnhinweisen auf Elektrowerkzeuge mit Netz- (schnurgebunden) oder Akkubetrieb (schnurlos).

BEWAHREN SIE DIESE ANWEISUNGEN AUF

1) Arbeitsbereich

- Sorgen Sie für einen sauberen und gut ausgeleuchteten Arbeitsbereich.**
Zugestellte und dunkle Bereiche ziehen Unfälle förmlich an.
- Verwenden Sie Elektrowerkzeuge niemals an Orten, an denen Explosionsgefahr besteht – zum Beispiel in der Nähe von leicht entflammaren Flüssigkeiten, Gasen oder Stäuben.**
Bei der Arbeit mit Elektrowerkzeugen kann es zu Funkenbildung kommen, wodurch sich Stäube oder Dämpfe entzünden können.
- Sorgen Sie bei der Arbeit mit Elektrowerkzeugen dafür, dass sich keine Zuschauer (insbesondere Kinder) in der Nähe befinden.**
Wenn Sie abgelenkt werden, können Sie die Kontrolle über das Werkzeug verlieren.

2) Elektrische Sicherheit

- Elektrowerkzeuge müssen mit passender Stromversorgung betrieben werden.**
Nehmen Sie niemals irgendwelche Änderungen am Anschlussstecker vor.
Verwenden Sie bei Elektrowerkzeugen mit Schutzkontakt (geerdet) niemals Adapterstecker. Stecker im Originalzustand und passende Steckdosen reduzieren das Stromschlagrisiko.
- Vermeiden Sie Körperkontakt mit geerdeten Gegenständen wie Rohrleitungen, Heizungen, Herden oder Kühlschränken.**
Bei Körperkontakt mit geerdeten Gegenständen besteht ein erhöhtes Stromschlagrisiko.
- Setzen Sie Elektrowerkzeuge niemals Regen oder sonstiger Feuchtigkeit aus.**
Wenn Flüssigkeiten in ein Elektrowerkzeug eindringen, erhöht sich das Stromschlagrisiko.
- Verwenden Sie die Anschlusschnur nicht missbräuchlich.** Tragen Sie das Elektrowerkzeug niemals an der Anschlusschnur, ziehen Sie es nicht damit heran und ziehen Sie den Stecker nicht an der Anschlusschnur aus der Steckdose. Halten Sie die Anschlusschnur von Hitzequellen, Öl, scharfen Kanten und beweglichen Teilen fern. Beschädigte oder verdrehte Anschlusschnüre erhöhen das Stromschlagrisiko.
- Wenn Sie ein Elektrowerkzeug im Freien benutzen, verwenden Sie ein für den Außeneinsatz geeignetes Verlängerungskabel.**
Ein für den Außeneinsatz geeignetes Kabel vermindert das Stromschlagrisiko.

3) Persönliche Sicherheit

- Blieben Sie wachsam, achten Sie auf das, was Sie tun, und setzen Sie Ihren Verstand ein, wenn Sie mit Elektrowerkzeugen arbeiten.**

Benutzen Sie keine Elektrowerkzeuge, wenn Sie müde sind oder unter Einfluss von Drogen, Alkohol oder Medikamenten stehen.

Bei der Arbeit mit Elektrowerkzeugen können bereits kurze Phasen der Unaufmerksamkeit zu schweren Verletzungen führen.

- Benutzen Sie Schutzausrüstung.** Tragen Sie immer einen Augenschutz.
Schutzausrüstung wie Staubmaske, rutschsichere Sicherheitsschuhe, Schutzhelm und Gehörschutz senken das Verletzungsrisiko bei angemessenem Einsatz.
 - Vermeiden Sie unbeabsichtigten Anlauf.** Achten Sie darauf, dass sich der Schalter in der Aus-(Off-) Position befindet, ehe Sie den Stecker einstecken.
Das Herumtragen von Elektrowerkzeugen mit dem Finger am Schalter und das Einstecken des Steckers bei betätigtem Schalter zieht Unfälle regelrecht an.
 - Entfernen Sie sämtliche Einstellwerkzeuge (Einstellschlüssel), ehe Sie das Elektrowerkzeug einschalten.**
Ein an einem beweglichen Teil des Elektrowerkzeugs angebrachter Schlüssel kann zu Verletzungen führen.
 - Sorgen Sie für einen festen Stand.** Achten Sie jederzeit darauf, sicher zu stehen und das Gleichgewicht zu bewahren.
Dadurch haben Sie das Elektrowerkzeug in unerwarteten Situationen besser im Griff.
 - Kleiden Sie sich richtig.** Tragen Sie keine lose Kleidung oder Schmuck. Halten Sie Haar, Kleidung und Handschuhe von beweglichen Teilen fern. Lose Kleidung, Schmuck oder langes Haar kann von beweglichen Teilen erfasst werden.
 - Wenn Anschlüsse für Staubabsaug- und -sammelvorrichtungen vorhanden sind, sorgen Sie dafür, dass diese richtig angeschlossen und eingesetzt werden.**
Die Verwendung solcher Vorrichtungen kann Staub-bezogene Gefahren mindern.
- #### 4) Einsatz und Pflege von Elektrowerkzeugen
- Überansprechen Sie Elektrowerkzeuge nicht.** Benutzen Sie das richtige Elektrowerkzeug für Ihren Einsatzzweck.
Das richtige Elektrowerkzeug erledigt seine Arbeit bei bestimmungsgemäßem Einsatz besser und sicherer.
 - Benutzen Sie das Elektrowerkzeug nicht, wenn es sich nicht am Schalter ein- und ausschalten lässt.** Jedes Elektrowerkzeug, das nicht mit dem Schalter betätigt werden kann, stellt eine Gefahr dar und muss repariert werden.
 - Ziehen Sie den Netzstecker, ehe Sie Einstellarbeiten vornehmen, Zubehörteile tauschen oder das Elektrowerkzeug verstauen.** Solche präventiven Sicherheitsmaßnahmen verhindern den unbeabsichtigten Anlauf des Elektrowerkzeugs und die damit verbundenen Gefahren.
 - Lagern Sie nicht benutzte Elektrowerkzeuge außerhalb der Reichweite von Kindern, lassen Sie nicht zu, dass Personen das Elektrowerkzeug bedienen, die nicht mit dem Werkzeug selbst und/oder diesen Anweisungen vertraut sind.**

Elektrowerkzeuge in ungeschulten Händen sind gefährlich.

- e) Halten Sie Elektrowerkzeuge in Stand. Prüfen Sie auf Fehlausrichtungen, sicheren Halt und Leichtgängigkeit beweglicher Teile, Beschädigungen von Teilen und auf jegliche andere Zustände, die sich auf den Betrieb des Elektrowerkzeugs auswirken können.

Bei Beschädigungen lassen Sie das Elektrowerkzeug reparieren, ehe Sie es benutzen.

Viele Unfälle mit Elektrowerkzeugen sind auf schlechte Wartung zurückzuführen.

- f) Halten Sie Schneidwerkzeuge scharf und sauber. Richtig gewartete Schneidwerkzeuge mit scharfen Schneidkanten bleiben weniger häufig hängen und sind einfacher zu beherrschen.

- g) Benutzen Sie Elektrowerkzeuge, Zubehör, Werkzeugspitzen und Ähnliches in Übereinstimmung mit diesen Anweisungen und auf die für das jeweilige Elektrowerkzeug bestimmungsgemäße Weise – beachten Sie dabei die jeweiligen Arbeitsbedingungen und die Art und Weise der auszuführenden Arbeiten.

Der bestimmungswidrige Einsatz von Elektrowerkzeugen kann zu gefährlichen Situationen führen.

5) Service

- a) Lassen Sie Elektrowerkzeuge durch qualifizierte Fachkräfte und unter Einsatz passender, zugelassener Originalteile warten.

Dies sorgt dafür, dass die Sicherheit des Elektrowerkzeugs nicht beeinträchtigt wird.

VORSICHT

Von Kindern und gebrechlichen Personen fernhalten. Werkzeuge sollten bei Nichtgebrauch außerhalb der Reichweite von Kindern und gebrechlichen Personen aufbewahrt werden.

VORSICHTSMASSNAHMEN BEI VERWENDUNG DER OBERFRÄSE

1. Einhändiges Arbeiten ist instabil und gefährlich. Man muß darauf achten, daß das Werkzeug mit beiden Händen während des Betriebs gut festgehalten wird.
2. Die Fräse ist unmittelbar nach dem Arbeiten sehr heiß. Ein Berühren der Fräse ist aus diesem Grunde zu vermeiden.

TECHNISCHE DATEN

Modelle	M8V2	M8SA2
Spannung (je nach Gebiet)*	(110V, 120V, 220V, 230V, 240V) ~	
Leistungsaufnahme*	1150 W	900 W
Spannfutter spannt bis	8 mm oder 1/4"	
Leerlaufdrehzahl	11000 – 25000 min ⁻¹	22000 min ⁻¹
Hubhöhe	60 mm	
Gewicht (ohne Kabel und Standardzubehör)	3,6 kg	3,5 kg

* Vergessen Sie nicht, die Produktangaben auf dem Typenschild zu überprüfen, da sich diese je nach Verkaufsgebiet ändern.

STANDARDZUBEHÖR

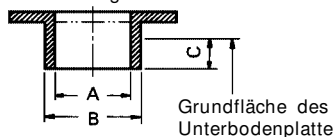
- | | |
|-------------------------------------|---|
| (1) Parallelanschlag | 1 |
| (2) Stangenhalter | 1 |
| Führungsstangen | 2 |
| Vorschubspindel | 1 |
| Flügelschraube | 1 |
| (3) Schablonenführung | 1 |
| (4) Schraubenschlüssel | 1 |
| (5) Flügelschraube (A) | 4 |
| (6) Gegenfeder | 2 |
| (7) Staubfängersatz (Abb. 17) | 1 |

Überprüfen Sie unbedingt die Standardzubehöre zum Produkt, da diese je nach Gebiet variieren können.

Das Standardzubehör kann ohne vorherige Bekanntmachung jederzeit geändert werden.

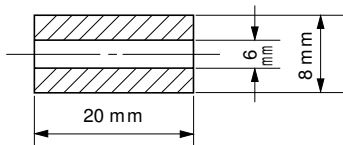
SONDERZUBEHÖR – separat zu beziehen

- (1) Schablonenführung



A	B	C
16,5 mm	18 mm	4,5 mm
18,5 mm	20 mm	
25,5 mm	27 mm	
28,5 mm	30 mm	

(2) Futterhülse (8 mm)



(3) Führung beim Zurichten (Abb. 14)

(4) Zoll-Spannfutter (8mm)

(5) Zoll-Spannfutter (1/4")

(6) Feineinstellknopf (Abb. 17)

Das Sonderzubehör kann ohne vorherige Bekanntmachung jederzeit geändert werden.

ANWENDUNGSBEREICHE

- Holzarbeit bei der Nutherstellung und Kantenbearbeitung.

VOR INBETRIEBNAHME

1. Netzspannung

Prüfen, daß die zu verwendende Netzspannung der Angabe auf dem Typenschild entspricht.

2. Netzschalter

Prüfen, daß der Netzschalter auf "AUS" steht. Wenn der Stecker an das Netz angeschlossen wird, während der Schalter auf "EIN" steht, beginnt das Werkzeug sofort zu laufen, was gefährlich ist.

3. Verlängerungskabel

Wenn der Arbeitsbereich nicht in der Nähe des Netzanschlusses liegt, ist ein Verlängerungskabel ausreichenden Querschnitts und ausreichender Nennleistung zu verwenden. Das Verlängerungskabel sollte so kurz wie möglich gehalten werden.

FRÄSEN INSTALLIEREN UND ENTFERNEN

WARNUNG

Schalten Sie unbedingt den Strom ab (OFF) und ziehen Sie den Netzstecker, damit es nicht zu Unfällen oder schwerwiegenden Funktionsstörungen kommt.

1. Fräsen installieren

- (1) Reinigen Sie das Fräse, schieben Sie den Schaft fräse zum Anschlag in das Spannfutter und ziehen Sie es wieder um etwa 2 mm heraus.
- (2) Bei eingeschobenem Bit und eingedrücktem Arretierstift ziehen Sie das Spannfutter mit dem 23 mm-Schraubenschlüssel fest im Uhrzeigersinn an. (Von der Unterseite der Fräse aus gesehen.) (Abb. 1)

VORSICHT

- Achten Sie darauf, dass das Spannfutter nach dem Einsetzen des Fräsen fest angezogen wird. Tun Sie dies nicht, wird das Spannfutter beschädigt.
- Achten Sie darauf, dass der Arretierstift nach dem Anziehen des Spannfutters nicht in den Geräteschaft greift. Falls doch, kommt es zu Beschädigungen des Spannfutters, des Arretierstifts und des Geräteschaftes.
- (3) Benutzen Sie unbedingt eine Spannfutterhülse, wenn Sie ein 6 mm Bit bei einer Spannfutterweite von 8 mm verwenden. Schieben Sie zuerst die

Spannfutterhülse tief in das Spannfutter ein und stecken Sie dann das Bit in die Spannfutterhülse. Ziehen Sie das Spannfutter nun fest an wie in Schritt (1) und (2).

2. Entfernen der Fräsen

Beim Abnehmen von Fräsen die folgenden Schritte in umgekehrter Reihenfolge durchführen.

VORSICHT

Achten Sie darauf, dass der Arretierstift nach dem Anziehen des Spannfutters nicht in den Geräteschaft greift. Falls doch, kommt es zu Beschädigungen des Spannfutters, des Arretierstifts und des Geräteschaftes.

VERWENDUNG DER OBERFRÄSE

1. Einstellen der Schnitttiefe (Abb. 2)

- (1) Benutzen Sie den Anschlagstift zum Einstellen der Schnitttiefe.
 - ① Setzen Sie das Werkzeug auf eine flache Holzoberfläche.
 - ② Drehen Sie den Anschlagblock so, dass der Bereich fern der Tiefeneinstellschraube den Unterteil des Anschlagstiftes berührt. Lösen Sie den Schaftarretierungsknopf, damit der Anschlagstift den Anschlagblock berühren kann.
 - ③ Lösen Sie den Sicherungshebel und drücken Sie auf das Werkzeug herunter, bis das Bit die flache Oberfläche gerade eben berührt. Ziehen Sie den Sicherungshebel an dieser Stelle an. (Abb. 3)
 - ④ Schaftarretierungsknopf anziehen. Richten Sie den Tiefe-Indikator mit der „0“-Markierung an der Skala aus.
 - ⑤ Lösen Sie den Schaftarretierungsknopf und heben Sie das Werkzeug an, bis der Indikator auf die gewünschte Schnitttiefe an der Skala zeigt. Schaftarretierungsknopf anziehen.
 - ⑥ Lösen Sie den Sicherungshebel und drücken Sie das Werkzeug nach unten, bis der Anschlagblock die gewünschte Schnitttiefe erreicht hat.
- (2) Wie in **Abb. 4 (a)** gezeigt wird es durch Lösen der beiden Muttern an der Gewindesäule und durch Abwärtsbewegungen möglich, zur Grundposition der Fräse zu gelangen, wenn der Sperr-hebel gelöst wird. Das ist nützlich wenn die Maschine bewegt wird, um die Fräse zur momentanen Position zu bringen. Wie in **Abb. 4 (b)** gezeigt, die oberen und unteren Muttern zum Sichern der Frästiefe festziehen.
- (3) Wenn die Skala nicht zur Einstellung der Frästiefe verwendet wird, Anschlagstift so eindrücken, daß er nicht im Weg ist.

2. Anschlagblock (Abb. 5)

Die beiden Schnitttiefe-Einstellschrauben am Anschlagblock können auf drei unterschiedliche Schnitttiefen gleichzeitig eingestellt werden. Ziehen Sie die Muttern mit einem Schraubenschlüssel an, damit sie sich zu diesem Zeitpunkt nicht lösen können.

3. Führung der Fräse

WARNUNG

Schalten Sie unbedingt den Strom ab (OFF) und ziehen Sie den Netzstecker, damit es nicht zu Unfällen oder schwerwiegenden Funktionsstörungen kommt.

(1) Schablonenführung

Die Schablonenführung wird verwendet, wenn für die Herstellung einer groß en Zahl gleichgeformter Teile eine Schablone verwendet wird.

Gemäß **Abb. 6** wird die Schablonenführung an der Grundplatte der Oberfräse mit zwei Schrauben befestigt. Hierbei ist darauf zu achten, daß die vorspringende Seite der Schablonenführung zur Unterseite der Grundplatte der Oberfräse gerichtet ist.

Eine Schablone ist eine Profilform aus Sperrholz oder dünnem Holz. Bei der Herstellung einer Schablone ist besonders auf die nachstehenden Hinweise und **Abb. 7** zu achten.

Wenn die Oberfräse an der Innenseite der Schablone entlanggeführt wird, sind die Abmessungen des bearbeitenden Stückes geringer als die Abmessungen der Schablone, und zwar um das mit "A" gekennzeichnete Stück, das dem Unterschied zwischen dem Radius der Schablonenführung und dem Radius der Fräse entspricht. Wenn die Oberfräse an der Außenseite der Schablone entlanggeführt wird, ist das Umgekehrte der Fall.

Die Schablone ist am Werkstück zu befestigen. Die Oberfräse ist so vorzuschieben, daß sich die Schablonenführung an der Schablone entlang bewegt, wie in **Abb. 8** gezeigt.

(2) Parallelanschlag (**Abb. 9**)

Den Parallelanschlag verwenden Sie zum Abkanten sowie zum Schneiden von Vertiefungen in die Seiten des Materials.

① Setzen Sie die Führungsstange in die Aussparung im Stangenhalter ein, ziehen Sie dann die beiden Flügelschrauben (A) am oberen Teil des Stangenhalters leicht an.

② Setzen Sie die Führungsstange in die Aussparung an der Basis ein, ziehen Sie dann die Flügelschraube (A) fest an.

③ Nehmen Sie kleinere Anpassungen hinsichtlich der Maße zwischen Bit und Führungsoberfläche mit Hilfe der Vortriebschraube vor, ziehen Sie dann die beiden Flügelschrauben (A) am oberen Teil des Stangenhalters sowie die Flügelschraube (B) fest an, die den Parallelanschlag hält.

④ Bringen Sie das Unterteil der Basis wie in **Abbildung 10** gezeigt in festen Kontakt mit dem zu bearbeitenden Material. Schieben Sie die Fräse vorwärts, halten Sie die Führung dabei an der Oberfläche des Werkstücks.

4. Einstellen der Drehzahl (nur Modell M8V2)

Modell M8V2 sind mit einem elektrischen Steuersystem zur stufenlosen Regelung der Drehgeschwindigkeit ausgerüstet.

Wie in **Abb. 11**, gezeigt, dient die Einstellscheibenposition "1" für Minimaldrehzahl und die Position "6" für Maximaldrehzahl.

5. Fräsen

VORSICHT

- Tragen Sie bei der Arbeit mit diesem Werkzeug einen Augenschutz.
- Halten Sie Hände, Gesicht und andere Körperteile vom Fräs Werkzeug und sämtlichen anderen beweglichen Teilen fern, wenn Sie mit dem Werkzeug arbeiten.

(1) Wie in **Abb. 12**, gezeigt, die Fräse aus dem Werkstück nehmen und den Umschalthebel in "EIN"-Stellung stellen. Nicht den Fräsvorgang beginnen, bevor die Fräse volle Drehzahl erreicht hat.

(2) Die Fräse dreht sich im Uhrzeigersinn in Pfeilrichtung an der Basis. Um maximale Fräswirkung zu erzielen, die Maschine entsprechend den Zuführanweisungen einstellen wie in **Abb. 13** gezeigt.

ANMERKUNG

Wenn Sie tiefe Aussparungen mit einem verschlissenen Bit schneiden, kann ein hohes Betriebsgeräusch auftreten.

Das Geräusch verschwindet, sobald Sie das verschlissene Bit gegen ein Neues getauscht haben.

VERWENDUNG DER SONDER-ZUBEHÖRTEILE

(1) Führung für das Zurichten (**Abb. 14**)

Verwenden Sie zum Abschrägen ode Zurichten die Zurichtführung. Befestigen Sie die Zurichtführung, wie in **Abb. 15** gezeigt, an der Stangenhalterung. Ziehen Sie, nach korrekter Positionsausrichtung der Walze, die beiden Flügelschrauben (A) und die beiden anderen Flügelschrauben (B) fest. Verwenden Sie die Führung wie in **Abb. 16** dargestellt.

(2) Knopf für Feineinstellung (**Abb. 17**).

Schließen Sie den Knopf für Feineinstellung an, um die Schnitttiefe fein einstellen zu können. Die Methoden für die Installation finden Sie in der mit dem Set mitgelieferten Bedienungsanleitung.

WARTUNG UND INSPEKTION

1. Ölen

Um eine reibungslose vertikale Bewegung der Oberfräse zu gewährleisten, werden gelegentlich einige Tropfen Maschinenöl auf die Gleitteile des Ständers und das offene Lagerschila gegeben.

2. Inspektion der Befestigungsschrauben

Alle Befestigungsschrauben werden regelmäßig inspiziert und geprüft, ob sie gut angezogen sind. Wenn sich eine der Schrauben lockert, muß sie sofort wieder angezogen werden. Geschieht das nicht, kann das zu erheblichen Gefahren führen.

3. Wartung des Motors

Die Motorwicklung ist das "Herz" des Elektrowerkzeugs. Daher ist besonders sorgfältig darauf zu achten, daß die Wicklung nicht beschädigt wird und/oder mit Öl oder Wasser in Berührung kommt.

4. Inspektion der Kohlebürsten

Zur Erhaltung Ihrer Sicherheit und des Schutzes gegen elektrischen Schlag sollten Inspektion und Auswechseln der Kohlebürsten NUR DURCH EIN AUTORISIERTES HITACHI-WARTUNGSZENTRUM durchgeführt werden.

5. Auswechseln des Netzkabels

Wenn das Netzkabel des Werkzeugs beschädigt wird, muss das Werkzeug zum Auswechseln des Netzkabels an ein von Hitachi autorisiertes Wartungszentrum zurückgegeben werden.

6. Liste der Wartungsteile

ACHTUNG

Reparatur, Modifikation und Inspektion von Hitachi-Elektrowerkzeugen müssen durch ein Autorisiertes Hitachi-Wartungszentrum durchgeführt werden.

Diese Teileliste ist hilfreich, wenn sie dem Autorisierten Hitachi-Wartungszentrum zusammen mit dem Werkzeug für Reparatur oder Wartung ausgehändigt wird.

Bei Betrieb und Wartung von Elektrowerkzeugen müssen die Sicherheitsvorschriften und Normen beachtet werden.

MODIFIKATIONEN

Hitachi-Elektrowerkzeuge werden fortwährend verbessert und modifiziert, um die neuesten technischen Fortschritte einzubauen.

Dementsprechend ist es möglich, daß einige Teile ohne vorherige Benachrichtigung geändert werden.

GARANTIE

Auf Hitachi-Elektrowerkzeuge gewähren wir eine Garantie unter Zugrundelegung der jeweils geltenden gesetzlichen und landesspezifischen Bedingungen. Dieses Garantie erstreckt sich nicht auf Gehäusedefekte und nicht auf Schäden, die auf Missbrauch, bestimmungswidrigen Einsatz oder normalen Verschleiß zurückzuführen sind. Im Schadensfall senden Sie das nicht zerlegte Elektrowerkzeug zusammen mit dem GARANTIESCHEIN, den Sie am Ende der Bedienungsanleitung finden, an ein von Hitachi autorisiertes Servicecenter.

ANMERKUNG

Aufgrund des ständigen Forschungs- und Entwicklungsprogramms von HITACHI sind Änderungen der hierin gemachten technischen Angaben nicht ausgeschlossen.

Information über Betriebslärm und Vibration

Die gemessenen Werte wurden entsprechend EN60745 bestimmt und in Übereinstimmung mit ISO 4871 ausgewiesen.

M8V2

Gemessener A-gewichteter Schallpegel: 90 dB(A)

Gemessener A-gewichteter Schalldruck: 79 dB(A)

Messunsicherheit KpA: 3 dB(A)

Der typische gewogene quadratische Mittelwert für die Beschleunigung ist 0,7 m/s².

M8SA2

Gemessener A-gewichteter Schallpegel: 90 dB(A)

Gemessener A-gewichteter Schalldruck: 79 dB(A)

Messunsicherheit KpA: 3 dB(A)

Der typische gewogene quadratische Mittelwert für die Beschleunigung ist 0,9 m/s².

Bei der Arbeit immer einen Ohrenschutz tragen.

ΓΕΝΙΚΑ ΜΕΤΡΑ ΑΣΦΑΛΕΙΑΣ

ΠΡΟΣΟΧΗ!

Διαβάστε όλες τις οδηγίες

Αν δεν τηρηθούν όλες οι οδηγίες που αναφέρονται παρακάτω, ενδέχεται να προκληθεί ηλεκτροπληξία, πυρκαγιά ή/και σοβαρός τραυματισμός.

Ο όρος "ηλεκτρικό εργαλείο" σε όλες τις προειδοποιήσεις που αναφέρονται παρακάτω αναφέρεται στο ηλεκτρικό εργαλείο που λειτουργεί με το ρεύμα του ηλεκτρικού δικτύου (με καλώδιο) ή στο ηλεκτρικό εργαλείο που λειτουργεί με μπαταρία (χωρίς καλώδιο).

ΦΥΛΑΞΤΕ ΑΥΤΕΣ ΤΙΣ ΟΔΗΓΙΕΣ

1) Χώρος εργασίας

a) **Διατηρείτε το χώρο εργασίας καθαρό και καλά φωτισμένο.**

Οι ακατάστατοι και οι σκοτεινοί χώροι έχουν την τάση να προκαλούν ατυχήματα.

b) **Μη χρησιμοποιείτε τα ηλεκτρικά εργαλεία σε εκρηκτικές ατμόσφαιρες, όπως όταν είναι παρόντα εύφλεκτα υγρά, αέρια ή σκόνη.**

Τα ηλεκτρικά εργαλεία δημιουργούν σπινθήρες οι οποίοι ενδέχεται να προκαλέσουν την ανάφλεξη αυτών των υλικών.

c) **Κρατήστε τα παιδιά και τους παρευρισκόμενους μακριά όταν χρησιμοποιείτε ένα ηλεκτρικό εργαλείο.** Αν αποσπαστεί η προσοχή σας, υπάρχει κίνδυνος να χάσετε τον έλεγχο.

2) Ηλεκτρική ασφάλεια

a) **Τα φιά των ηλεκτρικών εργαλείων πρέπει να είναι κατάλληλα για τις πρίζες.**

Μην τροποποιήσετε ποτέ το φιά με οποιονδήποτε τρόπο.

Μη χρησιμοποιείτε φιά προσταμωγής με γειωμένα ηλεκτρικά εργαλεία.

Τα μη τροποποιημένα φιά και οι κατάλληλες πρίζες μειώνουν τον κίνδυνο ηλεκτροπληξίας.

b) **Αποφύγετε τη σωματική επαφή με γειωμένες επιφάνειες όπως σωλήνες, θερμάστρες, μαγειρικές συσκευές και ψυγεία.**

Υπάρχει αυξημένος κίνδυνος ηλεκτροπληξίας όταν το σώμα σας είναι γειωμένο.

c) **Μην εκθέτετε τα ηλεκτρικά εργαλεία στη βροχή ή σε συνθήκες υγρασίας.**

Το νερό που εισέρχεται σε ένα ηλεκτρικό εργαλείο αυξάνει τον κίνδυνο ηλεκτροπληξίας.

d) **Μην ασκείτε δύναμη στο καλώδιο. Μη χρησιμοποιείτε ποτέ το καλώδιο για να μεταφέρετε, να τραβήξετε ή να θγάλετε από την πρίζα το ηλεκτρικό εργαλείο.**

Κρατήστε το καλώδιο μακριά από θερμότητα, λάδι, κοφτερές γωνίες και κινούμενα μέρη.

Τα κατεστραμμένα ή μπερδεμένα καλώδια αυξάνουν τον κίνδυνο ηλεκτροπληξίας.

e) **Όταν χρησιμοποιείτε το εργαλείο σε εξωτερικό χώρο, χρησιμοποιήστε καλώδιο προέκτασης που προορίζεται για χρήση σε εξωτερικό χώρο.**

Η χρήση ενός καλώδιου κατάλληλου για εξωτερικό χώρο μειώνει τον κίνδυνο ηλεκτροπληξίας.

3) Προσωπική ασφάλεια

a) **Να είστε σε ετοιμότητα, να βλέπετε αυτό που κάνετε και να χρησιμοποιείτε την κοινή λογική όταν χρησιμοποιείτε ένα ηλεκτρικό εργαλείο.**

Μη χρησιμοποιείτε ηλεκτρικά εργαλεία όταν είστε κουρασμένοι ή υπό την επήρεια ναρκωτικών ουσιών, οινοπνεύματος ή φαρμάκων.

Μια στιγμή απροσεξίας κατά τη χρήση ενός ηλεκτρικού εργαλείου μπορεί να προκαλέσει σοβαρό προσωπικό τραυματισμό.

b) **Χρησιμοποιείτε εξοπλισμό ασφαλείας. Να φοράτε πάντοτε προστατευτικά γυαλιά για τα μάτια.**

Εξοπλισμός ασφαλείας όπως μάσκα για τη σκόνη, αντιολισθητικά υποδήματα, σκληρό κάλυμμα κεφαλής ή προστατευτικά ακοής που χρησιμοποιούνται στις αντίστοιχες συνθήκες μειώνουν τις πιθανότητες τραυματισμού.

c) **Να αποφεύγετε την κατά λάθος έναρξη λειτουργίας. Να βεβαιώνετε ότι ο διακόπτης είναι στην κλειστή θέση (off) πριν τοποθετήσετε το φιά στην πρίζα.**

Η μεταφορά ηλεκτρικών εργαλείων με το δάχτυλο στο διακόπτη λειτουργίας ή η σύνδεση ηλεκτρικών εργαλείων στο ρεύμα με το διακόπτη ανοιχτό αυξάνει τις πιθανότητες ατυχήματος.

d) **Να αφαιρείτε τυχόν κλειδιά ρυθμιζόμενου ανοιγματος ή τα απλά κλειδιά πριν θέσετε σε λειτουργία το ηλεκτρικό εργαλείο.**

Ενα απλό κλειδί ή ένα κλειδί ρυθμιζόμενου ανοιγματος που είναι προσαρτημένο σε περιστρεφόμενο εξάρτημα του ηλεκτρικού εργαλείου μπορεί να προκαλέσει προσωπικό τραυματισμό.

e) **Μην τεντώνετε. Να διατηρείτε πάντοτε το κατάλληλο πάτημα και την ισορροπία σας.**

Με αυτόν τον τρόπο μπορείτε να ελέγχετε καλύτερα το ηλεκτρικό εργαλείο σε μη αναμενόμενες καταστάσεις.

f) **Να είστε ντυμένοι κατάλληλα. Μη φοράτε φαρδιά ρούχα ή κοσμήματα. Να κρατάτε τα μαλλιά σας, τα ρούχα σας και τα γάντια σας μακριά από κινούμενα μέρη.**

Τα φαρδιά ρούχα, τα κοσμήματα και τα μακριά μαλλιά μπορεί να πιαστούν σε κινούμενα μέρη.

g) **Αν παρέχονται εξαρτήματα για τη σύνδεση συσκευών εξαγωγής και συλλογής σκόνης, να βεβαιώνετε ότι είναι συνδεδεμένα και χρησιμοποιούνται με το σωστό τρόπο.**

Η χρήση αυτών των συσκευών μπορεί να μειώσει τους κινδύνους που σχετίζονται με τη σκόνη.

4) Χρήση και φροντίδα ηλεκτρικών εργαλείων

a) **Μην ασκείτε δύναμη στο ηλεκτρικό εργαλείο. Να χρησιμοποιείτε το ηλεκτρικό εργαλείο που είναι κατάλληλο για το είδος της εργασίας που εκτελείτε.**

Το κατάλληλο ηλεκτρικό εργαλείο θα εκτελέσει την εργασία καλύτερα και με μεγαλύτερη ασφάλεια με τον τρόπο που σχεδιάστηκε.

b) **Μη χρησιμοποιήσετε το ηλεκτρικό εργαλείο αν ο διακόπτης λειτουργίας δεν ανοίγει και δεν κλείνει.**

Ενα ηλεκτρικό εργαλείο που δεν ελέγχεται από το διακόπτη λειτουργίας είναι επικίνδυνο και πρέπει να επισκευαστεί.

c) **Βγάλετε το φιά από την πρίζα πριν κάνετε οποιαδήποτε ρυθμίσεις, αλλάξετε εξαρτήματα ή αποθηκεύσετε το ηλεκτρικό εργαλείο.**

Αυτά τα προληπτικά μέτρα ασφαλείας μειώνουν τον κίνδυνο να ξεκινήσει το ηλεκτρικό εργαλείο κατά λάθος.

- d) Αποθηκεύετε τα εργαλεία που δεν χρησιμοποιείτε μακριά από παιδιά και μην αφήνετε τα άτομα που δεν είναι εξοικειωμένα με το ηλεκτρικό εργαλείο ή με αυτές τις οδηγίες να χρησιμοποιούν το ηλεκτρικό εργαλείο.

Τα ηλεκτρικά εργαλεία είναι επικίνδυνα στα χέρια μη εκπαιδευμένων ατόμων.

- e) Συντηρείτε τα ηλεκτρικά εργαλεία. Να ελέγχετε την ευθυγράμμιση τους ή το μπλοκάρισμα των κινούμενων μερών, τη θραύση των εξαρτημάτων και οποιαδήποτε άλλη κατάσταση που ενδέχεται να επηρεάσει τη λειτουργία του ηλεκτρικού εργαλείου.

Σε περίπτωση θλάθης, το ηλεκτρικό εργαλείο πρέπει να επισκευαστεί πριν χρησιμοποιηθεί.

Πολλά ατυχήματα προκαλούνται από ηλεκτρικά εργαλεία που δεν έχουν συντηρηθεί σωστά.

- f) Διατηρείτε τα εργαλεία κοπής κοφτερά και καθαρά. Τα κατάλληλα συντηρημένα εργαλεία κοπής με κοφτερές γωνίες μπλοκάρουν πιο δύσκολα και ελέγχονται πιο εύκολα.

- g) Χρησιμοποιείτε το ηλεκτρικό εργαλείο, τα εξαρτήματα, τις μύτες των εργαλείων κλπ., σύμφωνα με αυτές τις οδηγίες και με τρόπο που είναι κατάλληλος για τον συγκεκριμένο τύπο ηλεκτρικού εργαλείου, λαμβάνοντας υπόψη τις συνθήκες εργασίας και την εργασία που πρόκειται να εκτελεστεί.

Η χρήση του ηλεκτρικού εργαλείου σε λειτουργίες διαφορετικές από εκείνες για τις οποίες προορίζεται μπορεί να δημιουργήσει επικίνδυνες καταστάσεις.

5) Σέρβις

- a) Να δίνετε το ηλεκτρικό εργαλείο για σέρβις σε κατάλληλα εκπαιδευμένα άτομα και να χρησιμοποιείτε μόνο γνήσια ανταλλακτικά.

Με αυτόν τον τρόπο είστε σίγουροι για την ασφάλεια του ηλεκτρικού εργαλείου.

ΠΡΟΦΥΛΑΞΗ

Μακριά από τα παιδιά και τους αναπήρους.

Όταν δεν χρησιμοποιούνται, τα εργαλεία πρέπει να φυλάσσονται μακριά από τα παιδιά και τους αναπήρους.

ΜΕΤΡΑ ΑΣΦΑΛΕΙΑΣ ΓΙΑ ΤΗ ΧΡΗΣΗ ΤΟΥ ΡΟΥΤΕΡ

- Ο χειρισμός με ένα χέρι είναι ασταθής και επικίνδυνος. Βεβαιωθείτε ότι και οι δύο χειρολαβές είναι κρατημένες γερά κατά τη λειτουργία.
- Η φρέζα είναι πολύ ζεστή αμέσως μετά τη χρήση. Αποφύγετε την επαφή γυμνών χεριών με τη φρέζα για οποιοδήποτε λόγο.

ΠΡΟΔΙΑΓΡΑΦΕΣ

Μοντέλο	M8V2	M8SA2
Τάση (ανά περιοχή)	(110V, 120V, 220V, 230V, 240V) ~	
Είσοδος*	1150 W	900 W
Χωρητικότητα μηχανισμού σύσφιξης	8 mm ή 1/4"	
Ταχύτητα χωρίς φορτίο	11000 – 25000 min ⁻¹	25000 min ⁻¹
Διαδρομή κυρίως μέρους	60 mm	
Βάρος (άνευ καλωδίου και τυπικών εξαρτημάτων)	3,6 kg	3,5 kg

* Ελέγξτε την ετικέτα στο προβόν καθώς υπάγεται σε αλλαγές από περιοχή σε περιοχή.

ΤΥΠΙΚΑ ΕΞΑΡΤΗΜΑΤΑ

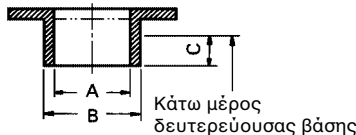
- (1) Ευθύς οδηγός 1
 (2) Συγκρατητήρας διευθύντριας ράβδου 1
 Διευθύντρια ράβδος 2
 Παξιμάδι τροφοδότησης 1
 Πεταλούδα 1
 (3) Οδηγός μοντέλου 1
 (4) Κλειδί 1
 (5) Πεταλούδα (A) 4
 (6) Ελατήριο ασφάλισης 2
 (7) Διάταξη απαγωγής σκόνης (Σχήμα 17) 1

Ελέγξτε τα τυπικά εξαρτήματα του προϊόντος καθώς υπόκειται σε αλλαγές ανά περιοχή.

Τα τυπικά εξαρτήματα υπάγονται σε αλλαγές δίχως προηγούμενη ειδοποίηση.

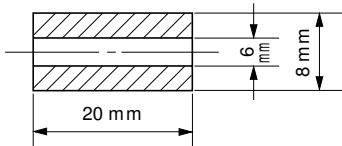
ΠΡΟΑΙΡΕΤΙΚΑ ΕΞΑΡΤΗΜΑΤΑ – πωλούνται ξεχωριστά

- (1) Οδηγός μοντέλου



A	B	C
16,5 mm	18 mm	4,5 mm
18,5 mm	20 mm	
25,5 mm	27 mm	
28,5 mm	30 mm	

- (2) Περιβλήμα δίσκου σύσφιξης (8 6)



- (3) Οδηγός κόπτη (Σχήμα 14)

(4) Μηχανισμός εισόδου (8 mm)

(5) Μηχανισμός εισόδου (1/4")

(6) Κουμπί ρύθμισης ακριβείας (Σχήμα 17)

Τα προαιρετικά εξαρτήματα υπάρχει περίπτωση να αλλάξουν χωρίς προειδοποίηση.

ΕΦΑΡΜΟΓΕΣ

- Εργασίες ξυλουργικής που επικεντρώνονται στη χάραξη και τη γωνιοτόμηση (μπιζουτάρισμα)

ΠΡΙΝ ΤΗ ΛΕΙΤΟΥΡΓΙΑ

1. Πηγή ρεύματος

Βεβαιωθείτε ότι πηγή ρεύματος που πρόκειται να χρησιμοποιηθεί είναι εναρμονισμένη με τις απαιτήσεις σε ρεύμα που αναφέρεται στην πινακίδα του εργαλείου.

2. Διακόπτης ρεύματος

Βεβαιωθείτε ότι ο διακόπτης ρεύματος βρίσκεται στη θέση OFF. Αν το βίσμα είναι στη μπίτσα καθώς ο διακόπτης ρεύματος βρίσκεται στο ON, το εργαλείο θα αρχίσει να λειτουργεί αμέσως, με πιθανότητα πρόκλησης σοβαρού ατυχήματος.

3. Καλώδιο προέκτασης

Όταν ο χώρος εργασίας βρίσκεται μακριά από την παροχή ρεύματος. Χρησιμοποιήστε ένα καλώδιο προέκτασης με κατάλληλο πάχος και ικανότητα μεταφοράς ρεύματος. Το καλώδιο προέκτασης πρέπει να είναι τόσο κοντό όσο είναι πρακτικά δυνατό.

ΕΓΚΑΤΑΣΤΑΣΗ ΚΑΙ ΑΦΑΙΡΕΣΗ ΦΡΕΖΩΝ

ΠΡΟΣΟΧΗ

Βεβαιωθείτε ότι ο διακόπτης λειτουργίας είναι στη θέση OFF και αποσυνδέστε την πρίζα από την παροχή ρεύματος για να αποφύγετε μεγάλα προβλήματα.

1. Εγκατάσταση φρεζών

(1) Καθαρίστε και εισάγετε το άκρο της φρέζας στο μηχανισμό σύσφιξης έως να φτάσει στο τέρμα και ύστερα τραβήξτε την πάλι προς τα έξω περίπου 2 mm.

(2) Αφού εισάγετε τη φρέζα και πιέσετε τον πείρο ασφάλισης ώστε να κρατήσετε τον άξονα του επαγωγίσιμου, χρησιμοποιήστε το κλειδί 23 mm με τη φορά των δεικτών του ρολογιού, για να σφίξετε καλά το μηχανισμό σύσφιξης. (όπως φαίνεται κάτω από το ρούτερ). (Σχήμα 1)

ΠΡΟΣΟΧΗ

○ Βεβαιωθείτε ότι ο μηχανισμός σύσφιξης έχει σφίξει καλά αφού εισάγετε μια φρέζα. Εάν δεν το κάνετε αυτό θα πάθει ζημιά ο μηχανισμός σύσφιξης.

○ Βεβαιωθείτε ότι ο πείρος ασφάλισης δεν έχει εισέλθει στον άξονα του επαγωγίσιμου αφού σφίξετε το μηχανισμό σύσφιξης. Εάν δεν το κάνετε αυτό θα πάθει ζημιά ο μηχανισμός σύσφιξης, ο πείρος ασφάλισης και ο άξονας του επαγωγίσιμου.

(3) Για φρέζα 6 mm, χρησιμοποιήστε περιβλήμα δίσκου με χωρητικότητα μηχανισμού σύσφιξης 8 mm. Αρχικά τοποθετήστε το περιβλήμα δίσκου βαθιά μέσα στο μηχανισμό σύσφιξης και στη συνέχεια εισάγετε τη φρέζα στο μηχανισμό. Σφίξτε καλά το μηχανισμό, όπως στα βήματα (1) και (2).

2. Αφαίρεση φρεζών

Για να αφαιρέσετε τις φρέζες ακολουθήστε τα βήματα για την εγκατάσταση φρεζών στην αντίθετη σειρά.

ΠΡΟΣΟΧΗ

Βεβαιωθείτε ότι ο πείρος ασφάλισης δεν έχει εισέλθει στον άξονα του επαγωγίσιμου αφού σφίξετε το μηχανισμό σύσφιξης. Εάν δεν το κάνετε αυτό θα πάθει ζημιά ο μηχανισμός σύσφιξης, ο πείρος ασφάλισης και ο άξονας του επαγωγίσιμου.

ΠΩΣ ΧΡΗΣΙΜΟΠΟΙΕΙΤΑΙ ΤΟ ΡΟΥΤΕΡ

1. Ρύθμιση βάθους κοπής (Σχήμα 2)

(1) Χρησιμοποιήστε τον πείρο αναστολής για να προσαρμόσετε το βάθος κοπής.

① Τοποθετήστε το εργαλείο σε επίπεδη ξύλινη επιφάνεια.

② Γυρίστε τον τάκο αναστολής έτσι ώστε αυτό το μέρος στο οποίο δεν είναι στερεωμένο το παξιμάδι ρύθμισης βάθους κοπής είναι στο κάτω μέρος του πείρου αναστολής. Χαλαρώστε το κουμπί του πείρου αναστολής έτσι ώστε ο πείρος αναστολής να έρθει σε επαφή με τον τάκο αναστολής.

③ Χαλαρώστε το μοχλό του πείρου και πιέστε το κυρίως μέρος του εργαλείου έως η φρέζα μόλις να αγγίξει την επίπεδη επιφάνεια. Σφίξτε το μοχλό του πείρου σε αυτό το σημείο. (Σχήμα 3)

④ Σφίξτε το διακόπτη του πείρου ασφάλισης. Ευθυγραμμίστε τον δείκτη βάθους κοπής με το "0" στην κλίμακα.

⑤ Χαλαρώστε το διακόπτη του πείρου ασφάλισης και σηκώστε το έως η λυχνία ένδειξης να ευθυγραμμιστεί με τη γραμμή που δείχνει το επιθυμητό βάθος κοπής. Σφίξτε το διακόπτη του πείρου ασφάλισης.

⑥ Χαλαρώστε το μοχλό του πείρου και πιέστε το κυρίως μέρος του εργαλείου προς τα κάτω έως ότου να υπάρχει το επιθυμητό βάθος κοπής στον τάκο αναστολής.

(2) Όπως φαίνεται στο Σχήμα 4 (a), χαλαρώνοντας τα δύο παξιμάδια της σπειροειδούς στήλης και μετακινώντας τα προς τα κάτω, θα μπορέσετε να φτάσετε στην τελική θέση της φρέζας, αφού έχετε χαλαρώσει το μοχλό ασφάλισης. Είναι χρήσιμο όταν κινείτε το ρούτερ για να ευθυγραμμίσετε τη φρέζα με τη θέση κοπής.

Όπως φαίνεται στο Σχήμα 4(b), σφίξτε τα πάνω και κάτω παξιμάδια για να ασφαλίσετε το βάθος κοπής.

(3) Όταν δεν χρησιμοποιείτε την κλίμακα για να ρυθμίσετε το βάθος κοπής, σηκώστε προς τα πάνω τον πείρο αναστολής για να μην εμποδίζει.

2. Τάκος αναστολής (Σχήμα 5)

Οι δύο βίδες ρύθμισης βάθους κοπής που είναι συνδεδεμένες με τον τάκο αναστολής μπορούν να ρυθμιστούν ώστε να ορίζουν ταυτόχρονα 3 διαφορετικά βάθη κοπής. Χρησιμοποιήστε κλειδί για να σφίξετε τα παξιμάδια έτσι ώστε οι βίδες ρύθμισης βάθους κοπής να μη χαλαρώσουν σε αυτή τη φάση.

3. Καθοδήγηση του ρούτερ

ΠΡΟΣΟΧΗ

Βεβαιωθείτε ότι ο διακόπτης λειτουργίας είναι στη θέση OFF και αποσυνδέστε την πρίζα από την παροχή ρεύματος για να αποφύγετε μεγάλα προβλήματα.

(1) Οδηγός μοντέλου

Χρησιμοποιήστε τον οδηγό μοντέλου όταν θέλετε να χρησιμοποιήσετε μοντέλο για τη δημιουργία μεγάλης ποσότητας προϊόντων με το ίδιο σχήμα. Όπως φαίνεται στο **Σχήμα 6** ασφαλίστε τον οδηγό μοντέλου στη βάση του ρούτερ με δύο βίδες, που περιλαμβάνονται στα εξαρτήματα. Σε αυτήν τη φάση βεβαιωθείτε ότι η προβολή του οδηγού κοιτάζει προς την κάτω επιφάνεια της βάσης του ρούτερ. Μοντέλο είναι ένα καλούπι μορφοποίησης από κόντρα πλακέ ή λεπτό ξύλο.

Όταν δημιουργείτε ένα μοντέλο, δώστε ιδιαίτερη προσοχή στα σημεία που περιγράφονται παρακάτω και απεικονίζονται στο **Σχήμα 7**.

Όταν χρησιμοποιείτε το ρούτερ κατά μήκος της εσωτερικής επιφάνειας του μοντέλου, οι διαστάσεις του τελικού προϊόντος θα είναι μικρότερες από τη διάσταση "Α", τη διαφορά μεταξύ της ακτίνας του οδηγού μοντέλου και της ακτίνας της φρέζας. Το αντίθετο ισχύει όταν χρησιμοποιείτε το ρούτερ κατά μήκος του εξωτερικού του μοντέλου.

Ασφαλίστε το μοντέλο στο κομμάτι για κατεργασία. Τροφοδοτήστε το ρούτερ έτσι ώστε ο οδηγός του μοντέλου να κινείται κατά μήκος του μοντέλου, όπως φαίνεται στο **Σχήμα 8**.

(2) Ευθύς οδηγός (Σχήμα 9)

Χρησιμοποιήστε τον ευθύ οδηγό για γωνιοτόμηση κατά μήκος του πλαβνού μέρους του υλικού.

① Εισάγετε τη ράβδο διευθύνσης στην τρύπα του συγκρατητήρα και ύστερα σφίξτε ελαφρά τις 2 πεταλούδες (Α) επάνω στον συγκρατητήρα της ράβδου.

② Εισάγετε τη διευθύντρια ράβδο στην τρύπα που βρίσκεται στη βάση και ύστερα σφίξτε δυνατά την πεταλούδα (Α).

③ Κάνετε μικρές ρυθμίσεις των διαστάσεων ανάμεσα στην επιφάνεια της φρέζας και του οδηγού με το παξιμάδι τροφοδότησης και ύστερα σφίξτε καλά τις 2 πεταλούδες (Α) στην κορυφή της διευθύντριας ράβδου και την πεταλούδα (Β) που στερεώνει τον ευθύ οδηγό.

④ Όπως εμφανίζεται στο **Σχήμα 10**, στερεώστε με ασφάλεια τον πάτο της βάσης στην επεξεργασμένη επιφάνεια των υλικών. Τροφοδοτήστε το ρούτερ ενώ θα κρατάτε τον οδηγό επιφάνειας στην επιφάνεια των υλικών.

4. Ρύθμιση της ταχύτητας περιστροφής (Μοντέλο Μ8V2 μόνο)

Το Μ8V2 έχει ηλεκτρονικό σύστημα ελέγχου που επιτρέπει τις αλλαγές rpm με συνεχή αναρρύθμιση. Όπως εμφανίζεται στο **Σχήμα 11**, η θέση "1" του

ρυθμιστή είναι για την ελάχιστη ταχύτητα και θέση "6" για τη μέγιστη ταχύτητα.

5. Κοπή

ΠΡΟΣΟΧΗ

○ Φοράτε προστατευτικό για τα μάτια όταν χειρίζεστε αυτό το εργαλείο.

○ Κρατήστε τα χέρια σας, το πρόσωπο και άλλα μέλη του σώματος μακριά από τις φρέζες και άλλα περιστρεφόμενα μέρη όταν χειρίζεστε το εργαλείο.

(1) Όπως εμφανίζεται στο **Σχήμα 12**, αφαιρέστε τη φρέζα από τα κατεργαζόμενα κομμάτια και πιέστε το μοχλό του διακόπτη στη θέση ΟΝ. Μην αρχίσετε την κοπή πριν να φτάσει η φρέζα τη μέγιστη ταχύτητα κοπής.

(2) Η φρέζα περιστρέφεται με τη φορά των δεικτών του ρολογιού (βέλος κατεύθυνσης στη βάση). Για να έχετε τη μέγιστη αποτελεσματικότητα στην κοπή, τροφοδοτήστε το ρούτερ σύμφωνα με τις οδηγίες τροφοδότησης που εμφανίζονται στο **Σχήμα 13**.

ΣΗΜΕΙΩΣΗ

Σε περίπτωση που χρησιμοποιηθεί φθαρμένη φρέζα για να γίνουν βαθιές εγκοπές υπάρχει περίπτωση να προκύψει ένας οξείος θορυβος κοπής.

Η αντικατάσταση της φθαρμένης φρέζας με νέα θα εξαλείψει τον οξύ θορυβό.

ΧΡΗΣΗ ΤΩΝ ΠΡΟΑΙΡΕΤΙΚΩΝ ΕΞΑΡΤΗΜΑΤΩΝ

(1) Οδηγός κόπτη (Σχήμα 14)

Χρησιμοποιήστε τον οδηγό κόπτη για κοπή ή γωνιοτόμηση. Συνδέστε τον οδηγό κοπής στον συγκρατητήρα της διευθύντριας ράβδου όπως εμφανίζεται στο **Σχήμα 15**.

Αφού ευθυγραμμίσετε τον κύλινδρο στην κατάλληλη θέση, σφίξτε τις δύο πεταλούδες (Α) και τις άλλες δύο πεταλούδες (Β). Χρησιμοποιήστε το όπως εμφανίζεται στο **Σχήμα 16**.

(2) Κουμπί ρύθμισης ακριβείας (Σχήμα 17)

Συνδέστε το κουμπί ρύθμισης ακριβείας για να προσαρμόσετε με ακρίβεια το βάθος κοπής.

Για λεπτομέρειες σχετικά με τη μέθοδο εγκατάστασης, παρακαλώ ανατρέξτε στις οδηγίες χρήσης που συνοδεύουν τη διάταξη.

ΣΥΝΤΗΡΗΣΗ ΚΑΙ ΕΛΕΓΧΟΣ

1. Λάδωμα

Για να εξασφαλίσετε ομαλή κάθετη κίνηση του ρούτερ κατά καιρούς εφαρμόστε μερικές σταγόνες λάδι μηχανής στα μέρη των στηλών που ολισθαίνουν και στο στήριγμα εδράνου.

2. Έλεγχος των θιδών στερέωσης

Ελέγχετε περιοδικά όλες τις βίδες στερέωσης και βεβαιωθείτε ότι είναι κατάλληλα σφιγμένες. Στην περίπτωση που χαλαρώσει οποιαδήποτε βίδα σφίξτε την ξανά αμέσως. Αν δεν το κάνετε αυτό μπορεί να έχει ως αποτέλεσμα το σοβαρό τραυματισμό.

3. Συντήρηση του μοτέρ

Η περιέλιξη της μονάδα του μοτέρ είναι η καρδιά του ηλεκτρικού εργαλείου. Δώστε μεγάλη προσοχή για να σιγουρευτείτε ότι η περιέλιξη δεν θα πάθει ζημιά και / ή θα βρεχθεί με λάδι ή νερό.

4. Έλεγχος στα καρβουνάκια

Για την συνεχιζόμενη ασφάλεια σας και την προστασία σας από την ηλεκτροπληξία, ο έλεγχος στα καρβουνάκια και η αντικατάσταση αυτού του εργαλείου πρέπει ΜΟΝΟ να γίνεται από ένα ΕΞΟΥΣΙΟΔΟΤΗΜΕΝΟ ΚΕΝΤΡΟ ΣΕΡΒΙΣ ΤΗΣ HITACHI.

5. Αντικατάσταση του καλωδίου παροχής ρεύματος

Αν το καλώδιο παροχής ρεύματος του εργαλείου πάθει ζημιά, το εργαλείο πρέπει να επιστραφεί στο Εξουσιοδοτημένο Κέντρο Εξυπηρέτησης Hitachi για να αντικατασταθεί.

6. Λίστα συντήρησης των μερών

ΠΡΟΣΟΧΗ

Η επισκευή, η τροποποίηση και ο έλεγχος των Ηλεκτρικών Εργαλείων Hitachi πρέπει να γίνεται από ένα Εξουσιοδοτημένο Κέντρο Σέρβις της Hitachi.

Αυτή η λίστα των μερών θα είναι χρήσιμη αν παρουσιαστεί μαζί με το εργαλείο στο Εξουσιοδοτημένο Κέντρο Σέρβις της Hitachi όταν ζητάτε επισκευή ή κάποια άλλη συντήρηση.

Κατά τον έλεγχο και τη συντήρηση των ηλεκτρικών εργαλείων, οι κανόνες ασφαλείας και οι κανονισμοί που υπάρχουν σε κάθε χώρα πρέπει να ακολουθούνται.

ΤΡΟΠΟΠΟΙΗΣΗ

Τα Ηλεκτρικά Εργαλεία Hitachi βελτιώνονται συνεχώς και τροποποιούνται για να συμπεριλάβουν τις τελευταίες τεχνολογικές προόδους.

Κατά συνέπεια, ορισμένα μέρηματα μπορούν να αλλάξουν χωρίς προηγούμενη ειδοποίηση.

ΕΓΓΥΗΣΗ

Εγγυώμαστε τα εργαλεία Hitachi Power Tools σύμφωνα με τη νομοθεσία και τους κανονισμούς ανά χώρα. Η παρούσα εγγύηση δεν καλύπτει ελαττώματα ή ζημιές λόγω κακής χρήσης, κακοποίησης ή φυσιολογικής φθοράς. Σε περίπτωση παραπόνων παρακαλούμε αποστείλετε το Power Tool χωρίς να το αποσυναρμολογήσετε μαζί με το ΠΙΣΤΟΠΟΙΗΤΙΚΟ ΕΓΓΥΗΣΗΣ το οποίο βρίσκεται στο τέλος των οδηγιών αυτών, σε Εξουσιοδοτημένο Κέντρο Επισκευής της Hitachi.

ΣΗΜΕΙΩΣΗ

Εξαιτίας του συνεχιζόμενου προγράμματος έρευνας και ανάπτυξης της Hitachi τα τεχνικά χαρακτηριστικά που εδώ αναφέρονται μπορούν να αλλάξουν χωρίς προηγούμενη ειδοποίηση.

Πληροφορίες που αφορούν τον εκπεμπόμενο θόρυβο και τη δόνηση

Οι τιμές μετρήθηκαν σύμφωνα με το EN60745 και βρέθηκαν σύμφωνες με το ISO 4871.

M8V2

Μέτρηση στάθμης ισχύος ήχου εξισορροπημένου A: 90 dB(A)
Μέτρηση στάθμης πίεσης ήχου εξισορροπημένου A: 79 dB(A)

Αβεβαιότητα ΚρA: 3 dB(A)

Μια τυπική τιμή ρίζας μέσης τετραγωνικής επιτάχυνσης: 0,7 m/s².

M8SA2

Μέτρηση στάθμης ισχύος ήχου εξισορροπημένου A: 90 dB(A)
Μέτρηση στάθμης πίεσης ήχου εξισορροπημένου A: 79 dB(A)

Αβεβαιότητα ΚρA: 3 dB(A)

Μια τυπική τιμή ρίζας μέσης τετραγωνικής επιτάχυνσης: 0,9 m/s².

Φοράτε προστατευτικά αυτιών.

OGÓLNE WSKAZÓWKI BEZPIECZEŃSTWA

OSTRZEŻENIE!

Należy przeczytać wszystkie instrukcje

Nieprzestrzeganie któregokolwiek z zamieszczonych poniżej zaleceń może być przyczyną porażenia prądem elektrycznym, pożaru i/lub poważnych obrażeń ciała. Występujące w poniższych ostrzeżeniach wyrażenie "urządzenie elektryczne" oznacza urządzenia zasilane z sieci elektrycznej (za pomocą przewodu) lub baterii (bezprowadowe).

INSTRUKCJE POWINNY BYĆ ZACHOWANE NA PRZYSZŁOŚĆ

1) Miejsce pracy

- Miejsce pracy powinno być uprzątnięte i czyste.**
W miejscach nieuporządkowanych i źle oświetlonych ryzyko wypadku jest większe.
- Nie należy używać urządzeń elektrycznych w przypadku zagrożenia wybuchem, na przykład w obecności łatwopalnych płynów, gazów lub pyłów.**
Urządzenia elektryczne wytworzą iskry, które mogą spowodować zapłon pyłu.
- Dzieci i osoby postronne nie powinny znajdować się w pobliżu pracującego urządzenia elektrycznego.**
Odwrócenie uwagi użytkownika może spowodować utratę kontroli nad urządzeniem.

2) Bezpieczeństwo elektryczne

- Wtyczka urządzenia elektrycznego musi być odpowiednia do gniazdka.**
Nigdy nie należy w jakikolwiek sposób przerabiać wtyczki.
Nie używać jakichkolwiek elementów łączących z urządzeniami wymagającymi uziemienia.
Używanie tylko oryginalnych wtyczek pasujących do gniazdka ogranicza ryzyko porażenia prądem elektrycznym.
- Unikać kontaktu z przedmiotami uziemionymi, takimi jak rury, kaloryfery, kuchenki i urządzenia chłodnicze.**
W przypadku dotykania uziemienia ryzyko porażenia prądem elektrycznym jest większe.
- Nie narażać urządzeń elektrycznych na działanie deszczu lub wilgoci.**
Przedostanie się wody do urządzenia zwiększa ryzyko porażenia prądem elektrycznym.
- Odpowiednio używać przewodów zasilających. Nigdy nie wykorzystywać przewodu do przenoszenia lub ciągnięcia urządzenia lub też wyciągania wtyczki z gniazdka.**
Utrzymywać przewód z dala od źródeł ciepła, oleju, ostrych krawędzi lub części ruchomych.
Uszkodzenie lub nacięcie przewodu zwiększa ryzyko porażenia prądem elektrycznym.
- Podczas pracy z urządzeniem elektrycznym na wolnym powietrzu należy używać odpowiedniego przedłużacza.**
Używanie przedłużacza przeznaczonego do pracy na wolnym powietrzu zmniejsza ryzyko porażenia prądem elektrycznym.

3) Bezpieczeństwo osobiste

- Podczas pracy z urządzeniem elektrycznym należy zachowywać koncentrację i planować wykonywane zadania, kierując się zdrowym rozsądkiem.**
Urządzenia elektryczne nie powinny obsługiwać osoby zmęczone lub znajdujące się pod wpływem substancji odurzających, alkoholu lub lekarstw.
Chwila nieuwagi podczas pracy z urządzeniem może stać się przyczyną poważnych obrażeń.
- Używać wyposażenia ochronnego. Zawsze nosić okulary ochronne.**
Używanie wyposażenia ochronnego, takiego jak maski przeciwpyłowe, buty przeciwpoślizgowe, odpowiednie nakrycie głowy i słuchawki ogranicza ryzyko obrażeń ciała.
- Unikać nieprzewidzianego uruchomienia urządzenia. Przed włożeniem wtyczki do gniazdka upewnić się, że urządzenie jest wyłączone.**
Przenoszenie urządzenia z palcem na wyłączniku lub podłączenie do sieci włączonego urządzenia może spowodować wypadek.
- Przed włączeniem urządzenia usunąć wszelkiego rodzaju klucze regulacyjne.**
Pozostawienie klucza w ruchomej części urządzenia może spowodować obrażenia.
- Nie trzymać urządzenia zbyt daleko od siebie. Zachować stabilną pozycję przez cały czas.**
Umożliwia to pełne panowanie nad urządzeniem, nawet w nieoczekiwanych sytuacjach.
- Nosić odpowiednią odzież. Nie należy nosić luźnych ubrań oraz biżuterii. Utrzymywać włosy, odzież i rękawice z dala od ruchomych części urządzenia.**
Luźne ubrania, biżuteria lub długie włosy mogą zostać wciągnięte przez poruszające się części.
- Jeżeli urządzenie wyposażone jest w system odprowadzania pyłu, powinien on być założony i właściwie używany.**
Użycie tego rodzaju urządzeń ograniczy zagrożenia związane z gromadzeniem się pyłu.

4) Obsługa i konserwacja urządzenia

- Nie dociskać urządzenia zbyt mocno. Należy używać tylko właściwego urządzenia, odpowiedniego dla wykonywanej pracy.**
Użycie odpowiedniego urządzenia spowoduje, że praca zostanie wykonana lepiej i bezpieczniej.
- Nie używać urządzenia elektrycznego, którego wyłącznik jest niesprawny.**
Urządzenie, które nie może zostać wyłączone za pomocą wyłącznika, jest niebezpieczne i musi zostać przeznaczone do naprawy.
- Przed przystąpieniem do jakichkolwiek prac, jak na przykład wymiana akcesoriów, urządzenie musi zostać wyłączone z sieci. To samo dotyczy przechowywania urządzenia nieużywanego.**
Umożliwi to zmniejszenie ryzyka nieprzewidzianego uruchomienia urządzenia.
- Urządzenia elektryczne powinny być przechowywane poza zasięgiem dzieci oraz wszelkich osób nie znających zasad funkcjonowania i obsługi tego typu urządzeń.**
Obsługa urządzeń elektrycznych przez osoby nie znające zasad ich funkcjonowania jest niebezpieczna.

- e) Wykonywać odpowiednie prace konserwacyjne. Kontrolować prawidłowość ustawienia części ruchomych, ich uszkodzenia i wszelkie inne kwestie, mogące spowodować nieprawidłową pracę urządzenia.

Uszkodzone urządzenie powinno zostać natychmiast przekazane do naprawy.

Wiele wypadków spowodowane jest niewłaściwą konserwacją urządzeń elektrycznych.

- f) Narzędzia tnące powinny być naostrzone i czyste. Odpowiednio naostrzone narzędzia nie będą się wyginać i są łatwiejsze w używaniu.

- g) Urządzenie elektryczne, akcesoria, wiertła itd. powinny być używane zgodnie z niniejszymi zaleceniami oraz w sposób odpowiadający wykonywanej pracy, przy uwzględnieniu warunków panujących w otoczeniu.

Wykorzystanie urządzenia elektrycznego do pracy, do której nie jest ono przeznaczone, grozi wypadkiem.

5) Serwis

- a) Urządzenie powinno być serwisowane tylko przez osoby posiadające odpowiednie kwalifikacje, przy

użyciu wyłącznie identycznych, oryginalnych części zamiennych.

Zapewni to utrzymanie pełnego bezpieczeństwa pracy z urządzeniem.

ŚRODKI OSTROŻNOŚCI

Dzieci i osoby niepełnosprawne nie powinny znajdować się w pobliżu urządzenia.

Nie używane urządzenie powinno być przechowywane w miejscu poza zasięgiem dzieci i osób niepełnosprawnych.

WSKAZÓWKI BEZPIECZEŃSTWA DOTYCZĄCE UŻYTKOWANIA FREZARKI

- Obsługa urządzenia jedną ręką powoduje utratę stabilności i stwarza niebezpieczeństwo. Podczas eksploatacji urządzenie powinno być trzymane mocno za oba uchwyty.
- Zaraz po zakończeniu pracy frez jest bardzo gorący. Nie dotykać frezu gołymi dłońmi.

DANE TECHNICZNE

Model	M8V2	M8SA2
Napięcie (w zależności od miejsca)*	(110V, 120V, 220V, 230V, 240V) ~	
Moc pobierana*	1150 W	900 W
Głębokość uchwytu zaciskowego	8 mm lub 1/4"	
Prędkość obrotowa bez obciążenia	11000 – 25000 min ⁻¹	25000 min ⁻¹
Skok korpusu	60 mm	
Waga (bez przewodu zasilającego i standardowych akcesoriów)	3,6 kg	3,5 kg

*Sprawdź nazwę produktu, jako że ulega ona zmianie w zależności od miejsca zakupu.

WYPOSAŻENIE STANDARDOWE

- (1) Prowadnica wzdluzna 1
- (2) Uchwyt mocujacy 1
- Prowadnica 2
- Śruba regulacyjna 1
- Śruba skrzydełkowa 1
- (3) Prowadnica wzornika 1
- (4) Klucz 1
- (5) Śruba skrzydełkowa (A) 4
- (6) Sprężyna blokady 2
- (7) System odprowadzania pyłu (**Rys. 17**) 1

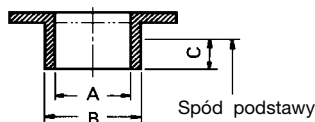
Należy zapoznać się z zestawem standardowych akcesoriów urządzenia, ponieważ podlegają one zmianom w zależności od kraju.

Wypożyczenie standardowe może ulec zmianie bez uprzedzenia.

MOŻLIWE WYPOSAŻENIE DODATKOWE

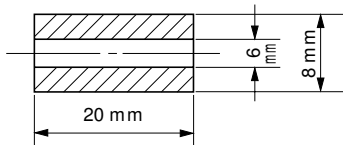
– sprzedawane oddzielnie

- (1) Prowadnica wzornika



A	B	C
16,5 mm	18 mm	4,5 mm
18,5 mm	20 mm	
25,5 mm	27 mm	
28,5 mm	30 mm	

- (2) Uchwyt zaciskowy (8 6)



- (3) Prowadnica okrojnika (Rys. 14)
 (4) Uchwyt zaciskowy (8 mm)
 (5) Uchwyt zaciskowy (1/4")
 (6) Pokrętko precyzyjnej regulacji (Rys. 17)

Wyposażenie standardowe może ulec zmianie bez uprzedzenia.

ZASTOSOWANIE

- Prace stolarskie związane ze żłobkowaniem i ukosowaniem.

PRZED UŻYCIEM

1. Źródło mocy

Upewnij się, że źródło mocy jest zgodne z wymogami mocy zaznaczonymi przy nazwie produktu.

2. Przełącznik

Upewnij się, że przełącznik jest wyłączony (pozycja OFF). Jeśli wtyczka jest włączona do prądu podczas gdy przełącznik jest włączony (pozycja ON), narzędzie zacznie działać natychmiast, co może spowodować poważny wypadek.

3. Przedłużacz

Kiedy miejsce pracy znajduje się daleko od źródła prądu, użyj przedłużacza o wystarczającym przekroju. Przedłużacz powinien być tak krótki jak tylko jest to możliwe.

MONTAŻ I DEMONTAŻ FREZU

OSTRZEŻENIE

Aby uniknąć zagrożenia, należy upewnić się, że wyłącznik jest w pozycji OFF, oraz wyjąć wtyczkę z gniazdka zasilania.

1. Montaż frezów

- (1) Wyczyścić i wsunąć do oporu chwyt frezu w uchwyt zaciskowy, a następnie wysunąć około 2 mm.
- (2) Po wsunięciu frezu, przyciskając jednocześnie kołek blokujący wału, należy za pomocą klucza 23 mm dokręcić mocno uchwyt zaciskowy w kierunku zgodnym z ruchem wskazówek zegara. (patrząc od dołu urządzenia). (Rys. 1)

UWAGA

- Należy upewnić się, że po zamontowaniu frezu uchwyt zaciskowy jest mocno dokręcony. W przeciwnym razie może dojść do uszkodzenia uchwytu zaciskowego.
- Należy upewnić się, że po dokręceniu uchwytu zaciskowego kołek blokujący nie znajduje się w wale. W przeciwnym razie może dojść do uszkodzenia uchwytu zaciskowego, kołka blokującego lub wału.
- (3) Montując frez o długości 6 mm w uchwycie zaciskowym o głębokości 8 mm, należy pamiętać, aby użyć tulei uchwytu zaciskowego. Przed umieszczeniem frezu w tulei uchwytu zaciskowego należy wsunąć tuleję w

uchwyt zaciskowy. Dokręcić mocno uchwyt zaciskowy, tak jak opisano w kroku (1) i (2).

2. Demontaż frezów

Aby zdemontować frez, należy wykonać w odwrotnej kolejności wszystkie czynności wymagane przy jego montażu.

UWAGA

Należy upewnić się, że po dokręceniu uchwytu zaciskowego kołek blokujący nie znajduje się w wale. W przeciwnym razie może dojść do uszkodzenia uchwytu zaciskowego, kołka blokującego lub wału.

OBŚLUGA FREZARKI PIONOWEJ

1. Regulacja głębokości cięcia (Rys. 2)

- (1) Aby wyregulować głębokość frezowania, należy użyć prowadnicy dystansowej.

- ① Ustawić urządzenie na płaskiej drewnianej powierzchni.
- ② Przekręcić element dystansowy, tak aby jego część bez zamocowanej śruby regulacji głębokości cięcia zbiegła się z dolną częścią prowadnicy dystansowej. Poluzować pokrętko zaciskowe prowadnicy, tak aby ta zetknęła się z elementem dystansowym.

- ③ Poluzować dźwignię blokady i docisnąć urządzenie, tak aby frez tylko dotykał powierzchni. Następnie zacisnąć dźwignię blokady. (Rys. 3)

- ④ Dokręcić pokrętko zaciskowe prowadnicy. Ustawić wskaźnik głębokości w punkcie „0” podziałki.

- ⑤ Poluzować pokrętko śruby regulacji głębokości cięcia i ustawić wskaźnik głębokości cięcia odpowiednio względem podziałki. Dokręcić pokrętko zaciskowe prowadnicy.

- ⑥ Aby osiągnąć wybraną głębokość cięcia, należy poluzować dźwignię blokady i docisnąć urządzenie do elementu dystansowego.

- (2) Tak jak pokazano to na Rys. 4 (a), poluzowanie dwóch śrub gwintowanej kolumny po poluzowaniu dźwigni blokady umożliwia przesunięcie narzędzia w dół i ustawienie frezu w pozycji końcowej. Jest to pomocne przy przesuwaniu frezarki w celu odpowiedniego ustawienia frezu.

Aby zabezpieczyć głębokość frezowania, należy dokręcić górną i dolną śrubę, jak pokazano na Rys. 4 (b).

- (3) Jeśli do ustawienia głębokości frezowania nie jest wykorzystywana podziałka, aby umożliwić pracę, należy odciągnąć prowadnicę dystansową.

2. Element dystansowy (Rys. 5)

Dwie przytwierdzone do elementu dystansowego śruby regulacji głębokości cięcia mogą być jednocześnie wyregulowane do trzech różnych głębokości cięcia. Za pomocą klucza należy dokręcić nakrętki, tak aby śruby regulacji głębokości cięcia nie poluzowały się.

3. Prowadzenie frezarki

OSTRZEŻENIE

Aby uniknąć zagrożenia, należy upewnić się, że wyłącznik jest w pozycji OFF, oraz wyjąć wtyczkę z gniazdka zasilania.

- (1) Prowadnica wzornika
Wykonując na podstawie wzornika dużą ilość identycznych elementów, należy używać prowadnicy wzornika.

Prowadnicę wzornika należy przymocować do podstawy frezarki za pomocą dwóch dodatkowych śrub, jak pokazano na Rys. 6. Jednocześnie należy się upewnić, że krawędź prowadząca prowadnicy wzornika jest

wrócona w kierunku dolnej płaszczyzny podstawy frezarki.

Wzornik to matryca wykonana ze sklejki lub drewna. Wykonując wzornik, należy zwrócić szczególną uwagę na kwestie wyszczególnione poniżej i zilustrowane na **Rys. 7**.

Prowadząc frezarkę wzdłuż wewnętrznej krawędzi wzornika, wymiary obrobionego elementu będą mniejsze niż samego wzornika, a odchylenie to będzie równe wartości "A", czyli różnicy pomiędzy promieniem prowadnicy wzornika a promieniem frezu. Sytuacja będzie odwrotna, jeśli frezarka prowadzona będzie wzdłuż zewnętrznej krawędzi wzornika.

Przytwierdzić wzornik do obrabianego materiału. Prowadzić frezarkę tak, aby prowadnica wzornika przesuwała się wzdłuż wzornika, jak pokazano na **Rys. 8**.

(2) Prowadnica wzdłużna (Rys. 9)

Do ukosowania i żłobkowania wzdłuż boku obrabianego elementu należy używać prowadnicy wzdłużnej.

① Wsunąć prowadnicę w otwór w uchwycie mocującym i lekko dokręcić 2 śruby skrzydełkowe (A) znajdujące się na górze uchwytu mocującego.

② Wsunąć prowadnicę w otwór w podstawie, po czym mocno dokręcić śrubę skrzydełkową (A).

③ Za pomocą śruby regulacyjnej dokonać niewielkiej regulacji odległości między frezem a powierzchnią prowadnicy, po czym mocno dokręcić 2 śruby skrzydełkowe (A) znajdujące się na górze uchwytu mocującego oraz śrubę skrzydełkową (B), która zabezpiecza prowadnicę wzdłużną.

④ Przytwierdzić spód podstawy do obrabianej powierzchni, jak pokazano na **Rys. 10**. Przesuwać frezarkę, dbając jednocześnie o to, by płaszczyzna prowadzenia przylegała do obrabianej powierzchni.

4. Regulacja obrotów (tylko w modelu M8V2)

Model M8V2 wyposażony jest w elektroniczny układ sterowania, który pozwala na bezstopniową zmianę wartości obr./min.

Wartość „1” na tarczy regulacyjnej odpowiada prędkości minimalnej, natomiast „6” maksymalnej; patrz **Rys. 11**.

5. Frezowanie

UWAGA

○ Podczas użytkowania urządzenia należy nosić okulary ochronne.

○ W czasie obsługi urządzenia należy chronić twarz, ręce i inne części ciała przed kontaktem z frezem i ruchomymi częściami.

(1) Odsunąć frez od obrabianego przedmiotu i przesunąć włącznik do pozycji ON; patrz **Rys. 12**. Przed przystąpieniem do frezowania frez musi osiągnąć maksymalną prędkość obrotową.

(2) Frez obraca się w kierunku zgodnym z ruchem wskazówek zegara (strzałka zamieszczona na budowie). W celu uzyskania maksymalnej wydajności frezarka musi być prowadzona zgodnie z kierunkiem pokazanym na **Rys. 13**.

WSKAZÓWKA

Przy wykonywaniu głębokiego żłobkowania za pomocą zużytego frezu może pojawić się dźwięk o wysokiej częstotliwości.

Wymiana zużytego frezu na nowy pozwala na wyeliminowanie dźwięku.

KORZYSTANIE Z AKCESORIÓW OPCJONALNYCH

(1) Prowadnica okrojnika (Rys. 14)

Prowadnica okrojnika służy do przycinania lub ukosowania. Przy mocowaniu prowadnicę okrojnika do uchwytów mocujących, jak pokazano na **Rys. 15**.

Po ustawieniu rolki we właściwej pozycji należy dokręcić po dwie śruby skrzydełkowe (A) i (B). Używać w sposób pokazany na **Rys. 16**.

(2) Pokrętko precyzyjnej regulacji (Rys. 17)

Podłączyć pokrętko precyzyjnej regulacji, aby umożliwić precyzyjną regulację głębokości frezowania.

Instrukcja montażu znajduje się w instrukcji obsługi dołączonej do zestawu.

KONSERWACJA I INSPEKCJA

1. Oliwienie

Aby praca frezarki przebiegała bez zakłóceń, co jakiś czas należy wprowadzić niewielką ilość oleju do elementów ślizgowych kolumn i wspornika końcowego.

2. Sprawdzanie śrub mocujących

Regularnie sprawdzaj wszystkie mocujące śruby i upewnij się, że są mocno przykręcone. Jeśli któraś z nich się obluzuje, natychmiast ją przykręć. Zaniedbanie tego może spowodować poważne zagrożenie.

3. Konserwacja silnika

Wirnik silnika jest sercem narzędzia.

Zadbaj, by wirnik nie został uszkodzony i nie zawilgotniał lub pokrył się olejem.

4. Kontrola stanu szczotek węglowych

W celu zapewnienia pełnego bezpieczeństwa użytkownika i ochrony przed porażeniem prądem elektrycznym, kontrola i wymiana szczotek węglowych w tym urządzeniu mogą być przeprowadzane **WYŁĄCZNIE** przez Autoryzowany Punkt Serwisowy Hitachi.

5. Wymiana przewodu zasilającego

Jeżeli przewód zasilający urządzenia został uszkodzony, musi ono zostać przekazane do Autoryzowanego Punktu Serwisowego Hitachi w celu wymiany przewodu.

6. Lista części zamiennych

UWAGA:

Naprawy, modyfikacji i kontroli Narzędzi Elektrycznych Hitachi może dokonywać tylko Autoryzowane Centrum Obsługi Hitachi.

Ta lista części będzie przydatna, jeśli zostanie wręczona Autoryzowanemu Centrum Obsługi Hitachi, gdy zaniesiony narzędzie do naprawy lub przeglądu.

Podczas używania i konserwacji narzędzi elektrycznych należy przestrzegać przepisów i norm bezpieczeństwa danego kraju.

MODYFIKACJE:

Narzędzia elektryczne Hitachi są ciągle ulepszone i modyfikowane w celu wprowadzania najnowszych osiągnięć nauki i techniki.

W związku z tym pewne części mogą ulec zmianom bez uprzedzenia.

GWARANCJA

Gwarancja na elektronarzędzia Hitachi jest udzielana z uwzględnieniem praw statutowych i przepisów krajowych. Gwarancja nie obejmuje wad i uszkodzeń powstałych w wyniku niewłaściwego użytkowania lub wynikających z normalnego zużycia. W wypadku reklamacji należy dostarczyć kompletne elektronarzędzie do autoryzowanego centrum serwisowego Hitachi wraz z KARTĄ GWARANCYJNĄ znajdującą się na końcu instrukcji obsługi.

WSKAZÓWKA

W związku z prowadzonym przez Hitachi programem badań i rozwoju, specyfikacje te mogą się zmienić w każdej chwili bez uprzedzenia.

Informacja dotycząca poziomu hałasu i wibracji

Mierzone wartości były określone według EN60745 i zadeklarowane zgodnie z ISO 4871.

M8V2

Zmierzony poziom dźwięku A: 90 dB(A)
Zmierzone ciśnienie akustyczne A: 79 dB(A)
Niepewność KpA: 3 dB(A)

Typowa wartość skuteczna przyspieszenia wynosi: 0,7 m/s²

M8SA2

Zmierzony poziom dźwięku A: 90 dB(A)
Zmierzone ciśnienie akustyczne A: 79 dB(A)
Niepewność KpA: 3 dB(A)

Typowa wartość skuteczna przyspieszenia wynosi: 0,9 m/s²

Używaj ochroniacza uszu.

ÁLTALÁNOS BIZTONSÁGTECHNIKAI ELŐÍRÁSOK

FIGYELEM!

Olvassa végig az utasításokat

Az alábbi utasítások be nem tartása áramütést, tüzet és súlyos sérülést okozhat.

Az alábbi figyelmeztetéseken szereplő "elektromos szerszámgép" kifejezés az ön - hálózatról üzemeltetett (vezetékes) vagy akkumulátoros (vezeték nélküli) - elektromos szerszámgépére vonatkozik.

ŐRIZZE MEG AZ UTASÍTÁSOKAT

1) A munkahely

- A munkahelyet tartsa tisztán, és megfelelően világítsa meg.**
A túlzásfűtő és sötét munkahelyek vonzzák a baleseteket.
- Az elektromos szerszámgépeket ne használja robbanásveszélyes légterben, például gyúlékony folyadékok, gázok vagy por mellett.**
Az elektromos szerszámgépek szikrákat bocsáthatnak ki, melyek berobbanthatják a jelenlévő port.
- A szerszámgép működtetése közben tartsa távol a gyermekeket és a körülállókat.**
A figyelemelvonás a szerszámgép feletti kontroll elvesztését okozhatja.

2) Érintésvédelem

- Az elektromos szerszámgép dugaszának illeszkednie kell a hálózati csatlakozójelzatra.**
Semmilyen körülmények között ne módosítsa a dugaszt.
Ne használjon semmilyen átalakító dugaszt a földelt elektromos szerszámgéppel.
A módosítás nélküli dugaszok és a megfelelő aljzatok csökkentik az elektromos áramütés veszélyét.
- Ügyeljen arra, hogy munka közben ne érintsen meg földelt felületeket, pl. csővezetékeket, fűtőtesteket, tűzhelyeket vagy hűtőberendezéseket.**
Ha a kezelő teste földelve van, az áramütés veszélye megnő.
- Az elektromos szerszámgépeket ne tegye ki eső vagy nedvesség hatásának.**
Az elektromos szerszámgépbe kerülő víz növeli az áramütés veszélyét.
- Ne rongálja meg az elektromos csatlakozókábelet.**
A szerszámgépet ne hordozza a kábelnél fogva, és a villásdugót soha ne a kábelnél fogva húzza ki a dugaszolóaljzatból.
Védje a kábelt a magas hőmérsékletől, olajtól és az éles sarkoktól.
A sérült vagy összegabalyodott vezetékek növelik az elektromos áramütés veszélyét.
- Ha a szabadban kell munkát végeznie, mindig csak az erre a célra alkalmas hosszabbító kábelt használjon.**
A kültéri használatra alkalmas hosszabbító használata csökkenti az elektromos áramütés veszélyét.

3) A testi épség védelme

- Mindig figyeljen oda a végzett munkára. Az elektromos szerszámgéppel végzett munka teljes figyelmet igényel.**

Ne használja a készüléket, ha nem érzi kipihentnek magát, ha kábítószer, alkohol vagy gyógyszer hatása alatt áll.

Egy pillanatnyi figyelmetlenség is súlyos sérülést okozhat.

- Használjon védőfelszerelést. Mindig használjon védőszemüveget.**
A védőfelszerelések, pl. a pormaszk, a csúszásbiztos biztonsági cipő, a védősisak és a füldugó használata csökkenti a sérülésveszélyt.
 - Kerülje a gép véletlenszerű beindítását. Mielőtt a csatlakozó dugót a dugaszolóaljzatba bedugja, mindig győződjék meg róla, hogy a készülék ki van kapcsolva.**
Ne tartsa ujját az indító kapcsolón, ha hordozza a készüléket, és ne csatlakoztasson bekapcsolt készüléket az áramforrásra.
 - Mielőtt a gépet bekapcsolja, mindig ellenőrizze, hogy kivette-e a készülékből a szerszámbeállító- illetve befogókulcsot.**
A forgó alkatrészben maradt szerszámbeállító- vagy befogókulcs személyi sérülést okozhat.
 - Ne nyújtassa ki a kezét túl nagy távolságra. Munka közben mindig álljon stabilan, és őrizze meg az egyensúlyát.**
Így a váratlan helyzetekben sem veszti el a szerszám feletti uralmát.
 - Viseljen megfelelő munkaruhát. Munka közben ne viseljen bő öltözéket vagy ékszert. Haját, ruházatát és kesztyűjét tartsa távol a mozgó alkatrészekről.**
A bő öltözéket, ékszereket vagy a hosszú haját a mozgó alkatrészek elkapathatják.
 - Ha a készülék rendelkezik porszivási, illetve -gyűjtési lehetőséggel, ügyeljen rá, hogy azok megfelelően legyenek csatlakoztatva és használva.**
A fenti eszközök használata csökkenti a por okozta veszélyt.
- 4) Az elektromos szerszámgép használata és karbantartása**
- Ne erőltesse a szerszámot. Mindig az alkalmazásnak megfelelő szerszámot használjon.**
A megfelelő szerszámgép nominális teljesítményszinten jobban és biztonságosabban működik.
 - Ne használja a szerszámot, ha a kapcsoló azt nem kapcsolja megfelelően be, illetve ki.**
A kapcsolóval nem szabályozható szerszámgép veszélyes, és azt meg kell javítani.
 - Mindig húzza ki a dugaszoló aljzatról a csatlakozó dugót, mielőtt a készüléken beállításokat végezne, kicserélné a tartozékokat, vagy mielőtt eltárolná a készüléket.**
A fenti biztonsági óvintézkedések csökkentik a készülék véletlenszerű bekapcsolásának veszélyét.
 - A használaton kívüli szerszámokat tárolja gyermekek által nem hozzáférhető helyen, és ne engedje, hogy a készüléket az üzemeltetéshez nem értő személyek használják.**
A gyakorlatlan használó kezében a szerszámgépek különösen nagy veszélyt jelentenek.
 - A szerszámgépek karbantartása. Ellenőrizze a mozgó alkatrészek illesztését, rögzítését, és alkatrészek esetleges repedését és minden olyan**

tulajdonságot, mely hatással lehet a munkavégzésre.

Meghibásodás esetén használat előtt javítsa meg a készüléket.

A nem megfelelő karbantartás sok balesetet okoz.

- f) A vágószerszámokat mindig tartsa élesen és tisztán.

A megfelelően karbantartott - éles vágóélű-vágószerszámok kisebb eséllyel görbülnek el, és könnyebben irányíthatók.

- g) Használja a szerszámgépet és a fúrófejeket stb. az utasításoknak és az adott szerszámgép rendeltetésének megfelelően, mindig figyelembe véve a munkakörülményeket és az elvégzendő munka jellegét.

A szerszámgép rendeltetéstől eltérő használata veszélyt okozhat.

5) Javítás

- a) A szerszámot csak - eredeti cserealkatrészeket használó - szakképzett személlyel javíttassa.

Így biztosítható a szerszámgép biztonságos üzemeltetése.

ÓVINTÉZKEDÉS

A gyermekeket és a felügyeletre szoruló személyeket tartsa távol az elektromos szerszámgéptől.

A használaton kívüli szerszámgépeket gyermekektől és felügyeletre szoruló személyektől elzárva kell tartani.

ÓVINTÉZKEDÉSEK A FELSIMARÓ HASZNÁLATA SORÁN

- Az egykezes működtetés nem stabil és veszélyes. Működtetés során stabilan fogja mindkét markolatot.
- A fúróhegy nagyon forró közvetlenül a működtetés után. Semmiképpen ne érintse csupasz kézzel a fúróhegyet.

MŰSZAKI ADATOK

Modell	M8V2	M8SA2
Feszültség (terület szerint)*	(110V, 120V, 220V, 230V, 240V) \surd	
Névleges teljesítményfelvétel*	1150 W	900 W
Patronos tokmány kapacitása	8 mm vagy 1/4"	
Üresjárat fordulatszám	11000 – 25000 perc ⁻¹	25000 perc ⁻¹
Fő testlöklet	60 mm	
Súly (kábel és alaptartozékok nélkül)	3,6 kg	3,5 kg

* Ne felejtse el ellenőrizni a típus táblán feltüntetett adatokat, mivel ezek eladási területenként változnak!

STANDARD TARTOZÉKOK

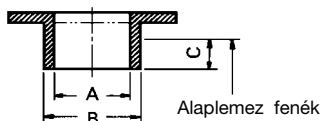
- (1) Egyenes vezető 1
 (2) Rúdtartó 1
 Vezető rúd 2
 Adagolócsiga 1
 Szárnyas csavar 1
 (3) Sablon vezető 1
 (4) Csavarkulcs 1
 (5) Szárnyas csavar (A) 4
 (6) Rögzítő rugó 2
 (7) Porgyűjtő készlet (17. ábra) 1

Midig ellenőrizze az alaptartozékokat a szerszámon, mert azok területenként változhatnak.

A standard tartozékok előzetes tájékoztatás nélkül változhatnak.

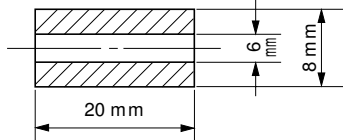
TETSZÉS SZERINT VÁLASZTHATÓ TARTOZÉKOK – külön megrendelésre

- (1) Sablon vezető



A	B	C
16,5 mm	18 mm	4,5 mm
18,5 mm	20 mm	
25,5 mm	27 mm	
28,5 mm	30 mm	

- (2) Patronos tokmány (8 6)



- (3) Szélező vezető (14. ábra)
 (4) Patronos tokmány (8 mm)
 (5) Patronos tokmány (1/4")
 (6) Finombeállító gomb (17. ábra)

A tetszés szerint választható tartozékok előzetes bejelentés nélkül bármikor változhatnak.

ALKALMAZÁSOK

- Hornyoláson és rovátkoláson alapuló famegmunkálási feladatok.

AZ ÜZEMBEHELYEZÉS ELŐTTI TENNIVALÓK

1. Áramforrás

Ügyeljen rá, hogy a készülék adattábláján feltüntetett feszültség értéke megegyezzen az alkalmazni kívánt hálózati feszültséggel.

2. Hálózati kapcsoló

Ügyeljen rá, hogy a hálózati kapcsoló KI állásba legyen kapcsolva. Ha a csatlakozódugót úgy csatlakoztatja a dugaszolóaljzatba, hogy közben a hálózati kapcsoló BE állásban van, a kéziszerszám azonnali működésbe lép, ami súlyos balesetet idézhet elő.

3. Hosszabbító vezeték

Ha a munkaterület az áramforrástól távol található, akkor egy megfelelő keresztmetszetű és teljesítményű hosszabbító vezetékét kell alkalmazni.

FÚRÓHEGYEK BEHELYEZÉSE ÉS ELTÁVOLÍTÁSA

FIGYELMEZTETÉS

Ne feledje kikapcsolni a tápellátást és kihúzni a dugaszt az aljzattól a súlyos balesetek elkerülése érdekében.

1. Fúróhegyek behelyezése

- (1) Tisztítsa meg, és helyezze be a fúrószárat a patronos tokmányba, amíg a szár le nem ér a fenékig, majd húzza vissza kb. 2 mm-nyire.
- (2) A fúróhegy behelyezése után, a forgórész tengelyt tartó rögzítő csap benyomása közben stabilan húzza meg a 23 mm-es csavarkulccsal az óramutató járásával megegyező irányba a patronos tokmányt. (a maró aljáról nézve). (1. ábra)

VIGYÁZAT

- Ügyeljen a patronos tokmány stabil meghúzására a fúróhegy behelyezése után. Ennek elmulasztása a patronos tokmány sérülését okozza.
- A patronos tokmány meghúzása után ne helyezze be a rögzítő csapot a forgórész tengelybe. Ennek elmulasztása a patronos tokmány, rögzítő csap és forgórész tengely sérülését okozza.
- (3) Ha 6 mm-es fúróhegyet használ, mindig használjon tokmányhüvelyt 8 mm kapacitású patronos tokmánnyal. Először illessze be mélyen a tokmányhüvelyt a patronos

tokmányba, majd helyezze be a fúróhegyet a tokmányhüvelybe. Húzza meg erősen a patronos tokmányt, ahogy az (1) és (2) lépésben.

2. A fúróhegyek eltávolítása

A fúróhegyek eltávolítása során a fúróhegyek behelyezésére vonatkozó lépéseket fordított sorrendben végezze el.

VIGYÁZAT

A patronos tokmány meghúzása után ne helyezze be a rögzítő csapot a forgórész tengelybe. Ennek elmulasztása a patronos tokmány, rögzítő csap és forgórész tengely sérülését okozza.

A MARÓ HASZNÁLATA

1. A vágási mélység beállítása (2. ábra)

- (1) A vágási mélység beállításához használjon fékrudat.
 - ① Helyezze a szerszámot sima felfületre.
 - ② Forgassa el a fékblokkot úgy, hogy az a rész, melyre a fékblokk vágási mélység beállító csavarja nem illeszkedik, a fékrúd aljához érjen. Lazítsa meg a rúd rögzítő gombot, hogy a fékrúd érintkezzen a fékblokkal.
 - ③ Lazítsa meg a rögzítő kart, és nyomja addig a szerszámtestet, amíg a fúróhegy éppen nem érinti a sima felületet. Húzza meg a rögzítő kart ennél a pontnál. (3. ábra)
 - ④ Húzza meg a rúd rögzítő gombot. Állítsa a mélységjelzőt a beosztás „0” fokához.
 - ⑤ Lazítsa meg a rúd rögzítő gombot, és addig emelje, amíg a jelző a kívánt vágási mélységet jelentő fokhoz nem ér. Húzza meg a rúd rögzítő gombot.
 - ⑥ Lazítsa meg a rögzítő kart, és nyomja lefelé a szerszámtestet, amíg a fékblokk el nem éri a kívánt vágási mélységet.

- (2) A 4 (a) ábrán láthatóan a két anyacsavar meglazítása a menetes oszlopon, majd lefele mozgatusuk lehetővé teszi a fúróhegy végéig való elmozgatást, ha a rögzítő kar meg van lazítva. Ez a felsőmaró mozgatusakor hasznos, amikor a fúróhegyet a vágási helyzethez igazítja.

A 4 (b) ábrán látható módon szorítsa meg a felső és az alsó anyacsavart a vágási mélység rögzítéséhez.

- (3) Amikor nem használja a beosztást a vágási mélység beállításához, nyomja fel a fékrudat, hogy ne akadályozza a munkát.

2. Fékblokk (5. ábra)

A fékblokkon található 2 vágási mélység beállító csavarral egyidejűleg 3 különböző vágási mélység állítható be. Csavarkulccsal húzza meg az anyákat úgy, hogy a vágási mélység beállító csavarok ne lazuljanak ki.

3. A felsőmaró vezetése

FIGYELMEZTETÉS

Ne feledje kikapcsolni a tápellátást és kihúzni a dugót az aljzattól a súlyos problémák elkerülése érdekében.

- (1) Sablon vezető

Használja a sablon vezetőt, amikor sablont alkalmaz nagy mennyiségű, azonos formájú termékek elkészítéséhez.

A 6 ábrán látható módon rögzítse a sablon vezetőt a felsőmaró alapjába a két tartozék csavarral. Ilyenkor a sablon vezető kiemelkedő részének midig a felsőmaró alapja alsó felülete felé kell néznie.

A sablon egy furnérből vagy vékony faanyagból készült másoló forma.

Sablon készítésekor különösen az alábbiakban leírt és a **7. ábrán** látható dolgokra ügyeljen.

Amikor a felsőmarót a sablon belső síkja mentén használja, a késztermék méretei a sablon méreteinél az "A" mérettel azonos mértékben lesznek kisebbek, mely a sablon vezető sugara és a fúróhegy sugara közötti különbség. Ennek fordítottja igaz, amikor a felsőmarót a sablon külseje mentén használja.

Rögzítse a sablont a munkadarabhoz. Tolja a felsőmarót úgy, hogy a sablon vezető a **8. ábrán** látható módon a sablon mentén mozog.

(2) Egyenes vezető (**9. ábra**)

Használjon egyenes vezetőt rovátkoláshoz és horonyvágáshoz az anyag oldala mentén.

① Helyezze a vezetőrudat a rúdtartó nyílásába, majd finoman húzza meg a 2 szárnyas csavart (A) a rúdtartó tetején.

② Helyezze a vezetőrudat az alap nyílásába, majd erősen húzza meg a szárnyas csavart (A).

③ Végezzen szögperces beállításokat a fúróhegy és a vezető felület közötti méretekben az adagolócsigával, majd erősen húzza meg a 2 szárnyas csavart (A) a rúdtartó tetején és az egyenes vezetőt rögzítő szárnyas csavart (B).

④ A **10. ábrán** látható módon stabilan illeszse az alap fenekét az anyagok megmunkált felületéhez. Tolja a felsőmarót, miközben a vezetősíkot az anyagok felületén tartja.

4. A forgási sebesség beállítása (csak M8V2 modell)

Az M8V2 elektronikus vezérlőrendszerrel van ellátva, mely fokozatmentes fordulatszám változtatást tesz lehetővé.

A **11. ábrán** látható, hogy az „1” tárcsapozíció a legkisebb sebességet jelenti, a „6” pozíció pedig a legnagyobb sebességet.

5. Vágás VIGYÁZAT

- Viseljen szemvédőt a szerszám használata közben.
- A szerszám használata közben tartsa távol a kezét, arcát és egyéb testrészeit a fúróhegyektől és egyéb forgórészekről.

(1) A **12. ábrán** látható módon távolítsa el a fúróhegyet a munkadarabokról, és nyomja fel a kapcsolókart az ON (BE) pozícióba. Ne kezdje el a vágási műveletet, amíg a fúróhegy el nem éri a teljes forgási sebességet.

(2) A fúróhegy az áramutal járásával megegyező irányba forog (az alapon jelzett nyíl irányába). A maximális vágási hatékonyság érdekében a **13. ábrán** látható tolási irányoknak megfelelően tolja a felsőmarót.

MEGJEGYZÉS

Ha kopott hegyet használ mély horonyhoz, előfordulhat, hogy egy magas hang lesz hallható.

A kopott hegy cseréjével kiküszöbölhető a magas hang.

AZ OPCIONÁLIS TARTOZÉKOK HASZNÁLATA

(1) Szélező vezető (**14. ábra**)

Használja a szélező vezetőt szélezéshez vagy rovátkoláshoz. Helyezze fel a szélező vezetőt a rúdtartóra a **15. ábrán** látható módon.

Miután beállította a hengert a megfelelő pozícióba, húzza meg a két szárnyas csavart (A) és a másik két szárnyas csavart (B). A **16. ábrán** látható módon használja.

(2) Finombeállító gomb (**17. ábra**)

Csatlakoztassa a finombeállító gombot a vágási mélység finom beállításához.

A felszerelés módjával kapcsolatos információkért kérjük, forduljon a készlethez mellékelt használati utasításához.

ELLENŐRZÉS ÉS KARBANTARTÁS

1. Olajozás

A felsőmaró egyenletes függőleges mozgása érdekében időnként tegyen néhány csepp gépolajat az oszlopok és a szélső megtámasztás tolórészeire.

2. A rögzítő csavarok ellenőrzése

Rendszeresen ellenőrizzen minden rögzítő csavart, és ügyeljen rá, hogy azok megfelelően meg legyenek szorítva. Minden meglazult csavart azonnal szorítson meg. Ennek elhanyagolása súlyos veszélyeket hordoz magában.

3. A motor karbantartása

A motor tekerceselése az elektromos szerszám „szíve”. Gondosan ügyeljen rá, hogy a tekerceselés ne sérüljön, illetve ne kerüljön kapcsolatba olajjal vagy vízzel.

4. A szénkefék ellenőrzése

A tartós biztonság és a megfelelő érintésvédelem érdekében a szerszám gép szénkeféinek ellenőrzését és cseréjét KIZÁRÓLAG a Hitachi Szerződéses Szerviz Központ végezheti.

5. A hálózati kábel cseréje

Ha a szerszám gép hálózati kábele megrongálódik, akkor azt csere céljából vissza kell juttatni a Hitachi Szerződéses Szerviz Központba.

6. Szervizelési alkatrészlista

FIGYELEM

Hitachi kéziszerszámok javítását, módosítását és ellenőrzését csak Hitachi Szakszerviz végezheti.

Javítás vagy egyéb karbantartás esetén hasznos ha ezt a szerviz-alkatrész listát a szerszámmal együtt átadjuk a Hitachi Szakszerviznek.

A kéziszerszámok üzemeltetése és karbantartása során be kell tartani az egyes országokban érvényben lévő biztonsági rendelkezéseket és szabványokat.

MÓDOSÍTÁSOK

A Hitachi kéziszerszámok állandó tökéletesítéseken mennek át, hogy alkalmazni tudják a legújabb műszaki fejlesztések eredményeit.

Éppen ezért egyes alkatrészek előzetes bejelentés nélkül megváltozhatnak.

GARANCIA

A Hitachi Power Tools szerszámokra a törvényes/országos előírásoknak megfelelő garanciát vállalunk. A garancia nem vonatkozik a helytelen vagy nem rendeltetésszerű használatból, továbbá a normál mértékűnek számító elhasználódásból, kopásból származó meghibásodásokra, károokra. Reklamáció esetén kérjük, küldje el a - nem szétszerelt - szerszámot a kezelési útmutató végén található GARANCIA BIZONYLATTAL együtt a hivatalos Hitachi szervizközpontba.

MEGJEGYZÉS

A HITACHI folyamatos kutatási és fejlesztési programja következtében az itt szereplő műszaki adatok előzetes bejelentés nélkül változhatnak.

A környezeti zajra és vibrációra vonatkozó információk

A mért értékek az EN60745 szabványnak megfelelően kerültek meghatározásra és az ISO 4871 alapján kerülnek közzétételre.

M8V2

Mért A-súlyozású hangteljesítményszint: 90 dB(A)

Mért A-súlyozású hangnyomásszint: 79 dB(A)

Bizonytalanság KpA: 3 dB(A)

A jellemző súlyozott gyorsulás négyzetes középértéke:
0,7 m/s²

M8SA2

Mért A-súlyozású hangteljesítményszint: 90 dB(A)

Mért A-súlyozású hangnyomásszint: 79 dB(A)

Bizonytalanság KpA: 3 dB(A)

A jellemző súlyozott gyorsulás négyzetes középértéke:
0,9 m/s²

Viseljen hallásvédelmi eszközt.

VŠEOBECNÉ BEZPEČNOSTNÍ PŘEDPISY

UPOZORNĚNÍ!

Prostudujte si všechny pokyny

Nedodržování všech níže uvedených pokynů může způsobit úraz elektrickým proudem, vznik požáru a/nebo vážné zranění. Pojem "elektrické nářadí" ve všech níže uvedených upozorněních se vztahuje na elektricky poháněné nářadí připojené (pomocí přívodní šňůry) k elektrické síti nebo na elektrické (bezšňůrové) nářadí poháněné akumulátorem.

DODRŽUJTE TYTO POKYNY

1) Pracovní prostor

- Udržujte pracovní prostor v čistotě a zajistěte jeho dobré osvětlení.**
Neuspořádaný pracovní prostor a neosvětlené plochy mohou být příčinou nehod.
- Neprovozujte elektrické nářadí ve výbušných prostředích, jako je například prostor s výskytem hořlavých kapalin, plynů nebo prachu.**
Při provozu elektrického nářadí vznikají jiskry, které mohou vznítit prach nebo výparu.
- Zajistěte, aby se při provozu elektrického nářadí nezdržovaly v blízkosti dětí nebo okolostojící osoby.**
Odvedení pozornosti může způsobit ztrátu kontroly nad nářadím.

2) Elektrická bezpečnost

- Zástrčky elektrického nářadí musí odpovídat používané zásuvce.**
Nikdy jakýmkoli způsobem neupravujte zástrčku.
Nepoužívejte jakékoli rozvodné zástrčky s uzemněným (ukostřeným) elektrickým nářadím.
Přívodní neupravené zástrčky a vhodné zásuvky snižují nebezpečí úrazu elektrickým proudem.
- Vyvarujte se kontaktu s uzemněnými nebo ukostřenými plochami, jako jsou např. trubky, radiátory, sporáky a chladničky.**
Vzniká zvýšené nebezpečí úrazu elektrickým proudem, pokud je Vaše tělo uzemněné nebo ukostřené.
- Nevystavujte elektrické nářadí dešti nebo mokřým podmínkám.**
Voda, která vnikne do elektrického nářadí, zvyšuje nebezpečí úrazu elektrickým proudem.
- Nezacházejte s přívodní šňůrou nevhodným způsobem. Nikdy nepoužívejte přívodní šňůru pro nošení, tahání nebo vypořádání elektrického nářadí. Zajistěte, aby se přívodní šňůra nedostala do kontaktu se zdroji tepla, olejem, ostrými hranami nebo pohyblivými se částmi.**
Poškozené nebo zauzené přívodní šňůry zvyšují nebezpečí úrazu elektrickým proudem.
- Při práci s elektrickým nářadím ve vnějších prostorách používejte prodlužovací šňůru vhodnou pro venkovní použití.**
Použití přívodní šňůry vhodné pro venkovní prostředí snižuje nebezpečí úrazu elektrickým proudem.

3) Bezpečnost osob

- Buďte při práci vždy pozorní, sledujte prováděnou práci a během práce s elektrickým nářadím postupujte rozumně.**
Nepoužívejte elektrické nářadí v případě únavy nebo pod vlivem drog, alkoholu nebo léků.

Pouhý okamžik nepozornosti při práci s elektrickým nářadím může způsobit vážné zranění.

- Používejte ochranné pomůcky. Vždy používejte ochranu zraku.**

Ochranné pomůcky, jako jsou protiprachová maska, obuv s neklouzavou úpravou podrážky, ochranná přilba nebo chrániče sluchu použité pro vhodné podmínky sniží nebezpečí zranění.

- Zajistěte, aby nedošlo k náhodnému spuštění nářadí. Zabezpečte, aby vypínač byl před zapojením do sítě v poloze vypnuto.**

Nošení elektrického nářadí s prstem na vypínači a připojování elektrického nářadí s vypínačem v poloze zapnuto může způsobit nehody.

- Před zapnutím elektrického nářadí vymontujte všechny seřizovací klíče.**

Klíč upevněný na otáčející se části elektrického nářadí může způsobit zranění osob.

- Zajistěte náležitou stabilitu při práci. Během práce je třeba vždy zaujmout náležitý a stabilní postoj.**

Tím se dosáhne lepšího ovládní elektrického nářadí v neočekávaných situacích.

- Při práci používejte vhodný oděv. Nepoužívejte volný oděv nebo šperky. Zajistěte, aby se Vaše vlasy, oděv nebo rukavice nedostaly do kontaktu s pohyblivými se částmi nářadí.**

Volný oděv, šperky nebo dlouhé vlasy se mohou zachytit do pohyblivých se částí.

- Pokud se používají zařízení pro připojení odsávání prachu a sběrných zařízení, zajistěte jejich správné zapojení a použití.**

Používejte tato zařízení pro snížení nebezpečí, která vznikají v prašném prostředí.

4) Použití a ošetřování elektrického nářadí

- Netlačte na elektrické nářadí. Pro Váš způsob použití zvolte správné elektrické nářadí.**

Správné elektrické nářadí provede práci lépe a bezpečněji rychlostí, pro které bylo konstruováno.

- Nepoužívejte elektrické nářadí, pokud vypínač není funkční.**

Jakékoli elektrické nářadí, které nelze ovládat vypínačem, je nebezpečné a je třeba je opravit.

- Při provádění jakýchkoli nastavení, změně příslušenství nebo uskládání elektrického nářadí odpoví vždy zástrčka ze zdroje energie.**

Tato preventivní bezpečnostní opatření snižují nebezpečí náhodného uvedení elektrického nářadí do chodu.

- Uložte nepoužívané elektrické nářadí mimo dosah dětí a nedovolte, aby osoby, které nejsou seznámeny s provozem elektrického nářadí a s těmito pokyny, toto elektrické nářadí používaly.**

Elektrické nářadí je v rukou nevyškoleného uživatele nebezpečné.

- Provádějte údržbu elektrického nářadí. Zkontrolujte elektrické nářadí, zda je správně seřízené nebo nedochází k vážnutí chodu pohyblivých se částí, zda nejsou nějaké části poškozené a zda nevznikly jakékoli jiné poruchy, které mohou negativně ovlivnit provoz elektrického nářadí.**

V případě poškození si nechejte elektrické nářadí před použitím opravit.

Velký počet nehod je způsobeno nedostatečnou údržbou elektrického nářadí.

- f) **Udržujte řezné nástroje ostré a čisté.**
Správným způsobem udržované řezné nástroje s ostrými břity mají menší sklon k uváznutí a snadněji se při práci ovládají.
- g) **Používejte elektrické nářadí, příslušenství, nástavce nástroje atd. ve shodě s těmito předpisy a způsobem stanoveným pro jednotlivý typ elektrického nářadí a přitom zohledněte pracovní podmínky a druh prováděné práce.**
Použití elektrického nářadí pro práce odlišné od stanoveného účelu použití může způsobit nebezpečné situace.

5) Servis

- a) **Nechejte si provádět servis Vašeho elektrického nářadí kvalifikovanými opraváři a přitom používejte jen originální náhradní díly.**

Tím se zajistí zachování bezpečnosti elektrického nářadí.

PARAMETRY

Model	M8V2	M8SA2
Napětí (podle oblasti)*	(110V, 120V, 220V, 230V, 240V) ~	
Vstupní příkon*	1150 W	900 W
Velikost upínacího pouzdra	8 mm nebo 1/4"	
Rychlost bez zatížení	11000 – 25000 min ⁻¹	25000 min ⁻¹
Zdvih hlavní části	60 mm	
Hmotnost (bez přívodního kabelu a standardního příslušenství)	3,6 kg	3,5 kg

* Zkontrolujte, prosíme, štítek na výrobku. Štítek podléhá změnám v závislosti na oblastech použití.

STANDARDNÍ PŘÍSLUŠENSTVÍ

- (1) Přímé vedení 1
 (2) Držák tyčky 1
 Vodící tyčka 2
 Posuvový šroub 1
 Šroub s křídlovou hlavou 1
 (3) Vedení šablony 1
 (4) Klíč 1
 (5) Šroub s křídlovou hlavou (A) 4
 (6) Pojistná pružina 2
 (7) Montážní sada lapače prachu (**Obr. 17**) 1
 Zkontrolujte standardní příslušenství výrobku, neboť rozsah příslušenství je rozdílný podle země určení.
 Standardní příslušenství podléhá změnám bez upozornění.

PREVENTIVNÍ OPATŘENÍ

Zajistěte, aby děti a nemocné osoby se nezdržovaly v blízkosti.

Pokud se nářadí nepoužívá, je třeba je uskladnit mimo dosah dětí a nemocných osob.

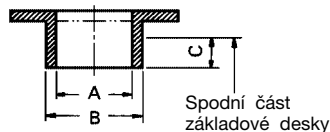
BEZPEČNOSTNÍ OPATŘENÍ PŘI POUŽITÍ FRÉZY

- Provoz při ovládání jednou rukou je nestabilní a nebezpečný. Zajistěte, abyste během provozu pevně uchopili obě rukojeti.
- Nástavec je bezprostředně po ukončení provozu velmi horký. Nedotýkejte se z jakéhokoli důvodu holýma rukama nástavce.

DOPLŇKOVÉ PŘÍSLUŠENSTVÍ

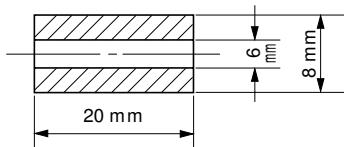
– Prodává se zvlášť

- (1) Vedení šablony



A	B	C
16,5 mm	18 mm	4,5 mm
18,5 mm	20 mm	
25,5 mm	27 mm	
28,5 mm	30 mm	

- (2) Upínací pouzdro (8 6)



- (3) Vedení lemovače (Obr. 14)

- (4) Upínací pouzdro (8 mm)

- (5) Upínací pouzdro (1/4")

- (6) Otočný regulátor jemného seřízení (Obr. 17)

Doplňky podléhají změnám bez předchozího upozornění.

POUŽITÍ

- Dřevoobráběcí práce na obrobkách vystředěných na drážkování a zkosení.

PŘED POUŽITÍM

1. Zdroj napětí

Ujistěte se, že používaný zdroj napětí splňuje požadavky specifikované na štítku výrobku.

2. Spínač

Ujistěte se, že spínač je v poloze vypnuto. Pokud je zástrčka zasunuta v zásuvce elektrického proudu a spínač je v poloze „ON“, nástroj začne okamžitě pracovat, a to může způsobit vážný úraz.

3. Prodlužovací kabel

Pokud je pracoviště vzdáleno od zdroje, použijte prodlužovací kabel o správné tloušťce a kapacitě. Je třeba, aby prodlužovací kabel byl co nejkratší.

INSTALACE A DEMONTÁŽ NÁSTAVCŮ

UPOZORNĚNÍ

Ujistěte, že jste vypnuli přívod proudu a odpojili zástrčku z elektrické zásuvky, abyste zabránili závažným nehodám.

1. Instalace nástavců

- (1) Vyčistěte a zasuňte stopku nástavce do upínacího pouzdra tak, aby stopka dosedla na doraz, potom ji vsuňte zpět přibližně 2 mm.
- (2) S vloženým nástavcem a stisknutým pojistným kolíkem přidržujícím hřídel motoru pevně dotáhněte klíčem velikosti 23 mm upínací pouzdro ve směru chodu hodinových ručiček. (z pohledu zespodu vrchní frézy). (Obr. 1)

POZOR

- Ujistěte se, že upínací pouzdro je po vložení nástavce pevně dotažené. V případě nedodržení tohoto pokynu může dojít k poškození upínacího pouzdra.
- Zajistěte, aby pojistný kolík nebyl po dotažení upínacího pouzdra zasunutý do hřídele motoru. V případě nedodržení tohoto pokynu může dojít k poškození upínacího pouzdra, pojistného kolíku a hřídele motoru.
- (3) V případě použití nástavce 6 mm s velikostí upínacího pouzdra 8 mm použijte upínací objímku. Nejdříve vložte upínací objímku do upínacího pouzdra, potom vložte nástavec do upínacího pouzdra. Pevně dotáhněte upínací pouzdro, jak je uvedeno v kroku (1) a (2).

2. Demontáž nástavců

Při demontáži nástavců postupujte v opačném pořadí než při instalaci nástavců.

POZOR

Zajistěte, aby pojistný kolík nebyl po dotažení upínacího pouzdra zasunutý do hřídele motoru. V případě nedodržení tohoto pokynu může dojít k poškození upínacího pouzdra, pojistného kolíku a hřídele motoru.

ZPŮSOB POUŽITÍ HORNÍ FRÉZKY

1. Nastavení hloubky řezu. (Obr. 2)

- (1) Pro nastavení hloubky řezu použijte tyčku zarážky.
 - ① Umístěte nářadí na rovnou plochu dřeva.
 - ② Otočte těleso zarážky tak, že část, ke které není upevněn seřizovací šroub hloubky řezu na tělese zarážky, se přesune k spodní části tyčky zarážky. Uvolněte pojistný otočný knoflík tyčky, aby tyčka zarážky se mohla dostat do styku s tělesem zarážky.
 - ③ Uvolněte pojistnou páčku a zatlačte na tělo nářadí, až se nástavec právě dotkne rovné plochy. V tomto okamžiku dotáhněte pojistnou páčku. (Obr. 3)
 - ④ Dotáhněte pojistný otočný knoflík tyčky. Vyrovnajte indikátor hloubky s rýskou „0“ stupnice.
 - ⑤ Uvolněte pojistný otočný knoflík tyčky a zvedněte, až se ukazatel vyrovná s dílkem stupnice odpovídajícím požadované hloubce řezu. Dotáhněte pojistný otočný knoflík tyčky.
 - ⑥ Uvolněte pojistnou páčku a zatlačte na tělo nářadí dolů, až těleso zarážky dosáhne požadovanou hloubku řezu.
- (2) Jak je znázorněno na obr. 4 (a), uvolněním dvou matic na závitové tyči a jejich přesunutím dolů se umožní pohyb nástavce dolů do koncové polohy, pokud je pojistná páčka uvolněná. To je výhodné v případě, když přesunujete horní frézkou pro vyrovnání nástavce s polohou řezání.

Dotáhněte horní a spodní matice pro zajištění hloubky řezu tak, jak je znázorněno na obr. 4 (b).
- (3) Pokud nepoužíváte stupnici pro nastavení hloubky řezu, zatlačte tyčku zarážky nahoru, aby nepřekážela.

2. Těleso zarážky (Obr. 5)

Dva seřizovací šrouby řezu upevněné k tělesu zarážky lze nastavit současně na 3 různé hloubky řezu. Pro dotažení matic použijte klíč, aby se seřizovací šrouby hloubky řezu nemohly uvolnit.

3. Vedení horní frézy

POZOR

- Ujistěte, že jste vypnuli přívod proudu a odpojili zástrčku z elektrické zásuvky, abyste zabránili závažným nehodám.
- (1) Vedení šablony

Vedení šablony použijte tehdy, když používáte šablonu k výrobě velkého množství výrobků stejného tvaru. Zajistěte vedení šablony k základové desce horní frézy prostřednictvím 2 pomocných šroubů tak, jak je zobrazeno na obr. 6. Nyní se ujistěte, že je pohledová strana vedení šablony obrácena ke spodní ploše základní desky horní frézy.

Šablona tvaruje formu vyrobenou z překližky nebo tenkého řeziva.

Když vyrábíte šablonu, věnujte zvýšenou pozornost pokynům uvedeným níže a znázorněným na obr. 7. Používáte-li horní frézkou podél vnitřní plochy šablony, rozměry hotového výrobku budou menší než rozměry

šablony o velikost rovnou rozměru "A", tzn. rozdílu mezi poloměrem vedení šablony a poloměrem nástavce. Toto platí opačně tehdy, když používáte horní frézku podél vnějšího povrchu šablony.

Zajistěte šablonu vůči obrobku. Posunujte horní frézku tak, aby se vedení šablony pohybovalo podél šablony, jak je znázorněno na **obr. 8**.

(2) Přímé vedení (**obr. 9**)

Přímé vedení použijte pro srážení hran a drážkování podél strany materiálů.

① Zasuňte vodící tyč do otvoru v držáku otvoru, potom mírně dotáhněte 2 šrouby s křídlovou hlavou (A) na horní části držáku tyče.

② Zasuňte vodící tyč do otvoru v základové desce, potom pevně dotáhněte šroub s křídlovou hlavou (A).

③ Proveďte přesné seřízení rozměrů mezi nástavcem a plochou vedení pomocí posuvového šroubu, potom pevně dotáhněte 2 šrouby s křídlovou hlavou (A) na horní straně držáku tyče a šroub s křídlovou hlavou (B), který zajišťuje přímé vedení.

④ Pevně přimontujte spodní část základové desky ke zpracovávanému povrchu materiálů tak, jak je zobrazeno na **obr. 10**. Posouvejte horní frézku a přitom udržujte vodící plochu na povrchu materiálů.

4. Nastavení otáček (pouze model M8V2)

M8V2 má systém elektronické kontroly, který umožňuje plynule měnit otáčky.

Poloha na stupnici „1“ je pro minimální otáčky a poloha „6“ pro maximální otáčky, jak je zobrazeno na **obr. 11**.

5. Řezání

POZOR

- Při práci s tímto nářadím používejte ochranu zraku.
- Při práci s tímto nářadím nepřibližujte ruce, obličej a ostatní části těla k nástavcům a jiným otáčejícím se dílům.

(1) Vyjměte nástavec z obrobků a stiskněte přepínací páčku do polohy ON - Zapnuto, jak je znázorněno na **obr. 12**. Nezahajujte řezání, pokud nebyly dosaženy plné otáčky.

(2) Nástavec se otáčí ve směru chodu hodinových ručiček (směr šipky uvedený na základové desce). Pro získání maximální účinnosti řezání posunujte horní frézku ve shodě se směry posuvu znázorněné na **obr. 13**.

POZNÁMKA

Pokud se používá opotřebený nástavec pro zhotovování hlubokých drážek, může vznikat vysoký pronikavý hluk řezání.

Výměnou opotřebeného nástavce za nový se vysoký pronikavý hluk odstraní.

POUŽITÍ VOLITELNÉHO PŘÍSLUŠENSTVÍ

(1) Lemovací vedení (**Obr. 14**)

Používejte lemovací vedení pro lemování nebo srážení hran. Upevněte lemovací vedení k držáku tyče, jak je znázorněno na **obr. 15**.

Po vyrovnání kladky do příslušné polohy dotáhněte dva šrouby s křídlovou hlavou (A) a druhé dva šrouby s křídlovou hlavou (B). Použití je znázorněno na **obr. 16**.

(2) Otočný regulátor jemného seřízení (**Obr. 17**)

Připojte otočný regulátor jemného seřízení pro jemné nastavení hloubky řezu.

Způsoby montáže jsou uvedeny v pokynech pro použití, které jsou přiloženy k montážní sadě.

ÚDRŽBA A KONTROLA

1. Olejování

Abyste se zaručil hladký svislý pohyb horní frézky, čas od času naneste několik kapek strojního oleje na posuvné části sloupků a koncové konzoly.

2. Kontrola šroubů

Pravidelně zkontrolujte všechny šrouby a ujistěte se, že jsou správně utažené. Pokud najdete některé šrouby uvolněné, ihned je utáhněte. Neutažené šrouby mohou vést k vážnému riziku.

3. Údržba motoru

Vinutí motoru je srdce elektrického zařízení. Ujistěte se, že vinutí není poškozené nebo vlhké vodou nebo olejem.

4. Kontrola uhlíkových kartáčků

Za účelem Vaší trvalé bezpečnosti a ochrany proti úrazu elektrickým proudem by mělo kontrolu uhlíkových kartáčků a jejich výměnu na tomto nářadí provádět POUZE Autorizované Servisní Středisko firmy Hitachi.

5. Výměna přívodní kabelu

Pokud dojde k poškození přívodního kabelu nářadí, je třeba nářadí zaslat do Autorizovaného Servisního Střediska firmy Hitachi pro provedení výměny kabelu.

6. Seznam servisních položek

POZOR:

Opravy, modifikace a kontroly zařízení Hitachi musí provádět Autorizované servisní středisko Hitachi.

Tento seznam servisních položek bude užitečný, předložíte-li jej s vaším zařízením Autorizovanému servisnímu středisku Hitachi společně s požadavkem na opravu nebo další servis.

Při obsluze a údržbě elektrických zařízení musí být dodržovány bezpečnostní předpisy a normy platné v každé zemi, kde je výrobek používán.

MODIFIKACE:

Výrobky firmy Hitachi jsou neustále zdokonalovány a modifikovány tak, aby se zavedly nejposlednější výsledky výzkumu a vývoje.

Následně, některé díly mohou být změněny bez předchozího oznámení.

ZÁRUKA

Ručíme za to, že elektrické nářadí Hitachi splňuje zákonné/místně platné předpisy. Tato záruka nezahrnuje závady nebo poškození vzniklé v důsledku nesprávného použití, hrubého zacházení nebo normálního opotřebením. V případě reklamace zašlete prosím elektrické nářadí v nerozebraném stavu společně se ZÁRUČNÍM LISTEM připojeným na konci těchto pokynů pro obsluhu do autorizovaného servisního střediska firmy Hitachi.

POZNÁMKA

Vlivem stále pokračujícího výzkumného a vývojového programu HITACHI mohou zde uvedené parametry podléhat změnám bez předchozího upozornění.

Informace o hluku a vibracích

Měřené hodnoty byly určeny podle EN60745 a deklarovány ve shodě s ISO 4871.

M8V2

Změřená vážená hladina akustického výkonu A: 90 dB(A)

Změřená vážená hladina akustického tlaku A: 79 dB(A)

Neurčitost KpA: 3 dB(A)

Typická vážená střední hodnota zrychlení nepřesahuje:
0,7 m/s²

M8SA2

Změřená vážená hladina akustického výkonu A: 90 dB(A)

Změřená vážená hladina akustického tlaku A: 79 dB(A)

Neurčitost KpA: 3 dB(A)

Typická vážená střední hodnota zrychlení nepřesahuje:
0,9 m/s²

Použijte ochranu sluchu.

GENEL GÜVENLİK KURALLARI

DİKKAT!

Bütün talimatları okuyun

Aşağıda belirtilen talimatların tümünün uygulamaması, elektrik çarpması, yangın ve/veya ciddi yaralanmalara sonulanabilir.

Aşağıdaki uyarılarda belirtilen "Elektrikli alet" terimi, iřletilen (kablolu) veya (kablesuz) ana elektrik aletlerini kapsar.

BU TALİMATLARI SAKLAYINIZ

1) Çalışma ortamı

a) Çalışma ortamı temiz ve iyi ışıklandırılmış olmalıdır.

Dağınık ve karanlık ortamlar kazanın davetçisidir.

b) Yanıcı sıvıların, gazların veya tozların bulunduğu patlayıcı ortamlarda elektrikli aletlerle çalışmayınız.

Elektrikli aletler kıvılcım sıçratabilir ve de gaz tozlarını ateşleyebilir.

c) Elektrikli alet kullanırken ocuklardan ve seyircilerden uzak tutun.

Dikkat dağıtıcı şeyler kontrolü kaybetmenize yol açabilir.

2) Elektrik güvenliđi

a) Elektrikli aletin fiři prize uygun olmalıdır.

Fiři hibir şekilde deđiřtirmeye çalışmayın.

Elektrikli aletin topraklanmış fiřinde herhangi bir adaptör kullanmayın.

Deđiřtirilmemiş fiřler ve onlarla uygun prizler elektrik çarpmaya riskini azaltır.

b) Boru, radyatör, ocak/fırın ve buzdolabı gibi topraklanmış yüzeylerle vücut temasından sakının.

Vücutünüzün toprakla temasa geçmesi elektrik çarpmaya riskini artırır.

c) Elektrikli aletleri yağmur ve ıslak ortamlara maruz bırakmayın.

Elektrikli aletin içersine su girmesi elektrik çarpmaya riskini artırır.

d) Güç kablosuna zarar vermeyin. Elektrikli aleti taşımak, çekmek veya prizden çıkarmak için kabloyu kullanmayın.

Kabloyu kesici veya hareketli paralardan, sıcak yüzeylerden ve yağdan uzak tutun.

Hasar görmüş veya dolaşmış kablolar elektrik çarpmaya riskini artırır.

e) Elektrikli aleti açık alanlarda kullanırken, açık alana özel uzatma kablosu kullanın.

Açık alana özel kablolar elektrik çarpmaya riskini azaltır.

3) Kişisel güvenliđ

a) Daima tetikte olun, elektrikli aleti kullanırken ne yaptığınızın farkında ve dıyarlı olun.

Elektrikli aleti alkol, ilaç veya uyuşturucu etkisi altındayken veya yorgunken çalıştırmayın.

Elektrikli aleti kullanırken gösterilecek bir saniyelik dikkatsizlik, ciddi yaralanmalara yol açabilir.

b) Koruyucu ekipman kullanın. Daima koruyucu gözlük takın.

Toz maskesi, kaymayan emniyet ayakkabısı, sert başlık veya iřitme koruyucusu gibi kořullara uygun olan ve yaralanma riskini azaltıcı koruyucu ekipmanlar kullanın.

c) Aletin istem dıřı çalışmasına karřın önlem alın. Prize takmadan önce řalter düğmesinin kapalı konumda olduğundan emin olun.

Elektrikli aleti parmağınız řalter üzerinde olduğu halde taşımak veya prize takmak kazanın davetçisidir.

d) Elektrikli aleti çalıştırmadan önce ayar anahtarlarını çıkartın.

Elektrikli aletin dönen kısmına takılı kalmış olan bir anahtar, yaralanmalara yol açabilir.

e) Fazla uzanmayın. Ayaklarınızın konumuna ve dengeye her zaman dikkat edin.

Böylece beklenmedik bir durumla karřlaştığınızda, elektrikli aleti daha iyi kontrol altında tutmanızı sağlar.

f) Uygun çalışma giysisi giyin. Bol giysiler ve takılardan kaçının. Saçınızı, giysilerinizi ve eldiveninizi hareketli paralardan uzak tutun.

Bol giysiler, takılar veya uzun saç oynayan paralara takılabilir.

g) Toz toplama bađlantısı için gerekli teçhizat ve bađlantı araçları sağlanmışsa, bunların bađlı olduğundan ve dođru řekilde kullanıldığından emin olun.

Bu teçhizatların kullanılması tozun yaratacađı tehlikeleri azaltacaktır.

4) Elektrikli aletin kullanımı ve bakımı

a) Elektrikli aleti zorlamayın. Yapacağınız işe uygun dođru aleti kullanın.

Dođru elektrikli aletin kullanılması işinizi hem kolaylařtıracakđı gibi hem de tasarlanmış řüratte daha güvenli bir şekilde yapmanızı sağlar.

b) Eđer elektrikli aletin řalter düğmesi açılıp kapanmıyorsa, aleti kullanmayın.

řalter düğmesinden kumanda edilemeyen elektrikli aletler tehlike yaratır ve tamir edilmeleri gerekir.

c) Aksesuar deđişimlerinde, ayarlamalar sırasında veya elektrikli alet saklamadan önce elektrik bađlantısını kesin.

Bu gibi önleyici emniyet tedbirleri elektrikli aletin istem dıřı çalışmaya riskini azaltır.

d) Kullanılmayan elektrikli aletleri ocukların ulaşamayacağı yerlerde tutun. Aleti kullanmasını bilmeyen ve bu talimatlara aşına olmayan kişilere kullandırmayın.

Elektrikli aletler deneyimsiz ve eđitilmemiş kişilerin eline tehlikeli olur.

e) Elektrikli aletin bakımını yapın. Hareketli paraların yapışmamasını, kırık olmamasını, düzenli hizalanmasını veya aletin iřletimini etkileyecek herhangi bir durumun olmadığını kontrol edin.

Çođu kazaya yetersiz bakımli elektrikli aletleri neden olur.

f) Aletlerinizi keskin ve temiz tutun.

Düzenli bakımı yapılmış keskin uçlu takımların yapışma ihtimali azdır ve de kontrol edilmeleri daha kolaylařır.

g) Elektrikli aleti, aksesuarları ve uçları vs. bu talimatlar dođrultusunda ve o elektrikli aletin amaçlanan kullanımı için, çalışma kořullarını ve de yapılacak işi göz önüne alarak kullanın.

Elektrikli aletin amaçlanan kullanımı dıřında kullanılması tehlikeli bir durum yaratabilir.

5) Servis

- a) Elektrikli aleti vasıflı bir kişi tarafından sadece özdeş yedek parçalar kullanılarak tamir edilmesini sağlayın. Böylece elektrikli aletin güvenli kullanımını sağlanacaktır.

ÖNLEM

Çocukları ve diğer yeterli güce sahip olmayan kişileri uzak tutun.
Kullanılmadığı zamanlarda aleti çocuk ve yeterli güce sahip olmayan kişilerin ulaşamayacağı bir yerde saklayın.

TEKNİK ÖZELLİKLER

Model	M8V2	M8SA2
Voltaaj (bölgelere göre)*	(110V, 120V, 220V, 230V, 240V) ~	
Güç girişi*	1150 W	900 W
Bağlama Aynası Kapasitesi	8 mm veya 1/4"	
Yüksüz hız	11000 – 25000 min ⁻¹	25000 min ⁻¹
Ana Gövde Stroku (hareketi)	60 mm	
Ağırlık (kablo ve standart aksesuarlar hariç)	3,6 kg	3,5 kg

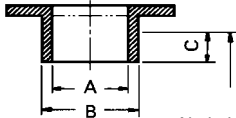
* Bu değer bölgeden bölgeye değişiklik gösterdiği için ürünün üzerindeki plakayı kontrol etmeyi unutmayın.

STANDART AKSESUARLAR

- (1) Doğrusal kılavuz 1
 (2) Çubuk tutucu 1
 Kılavuz çubuk 2
 Besleme vidası 1
 Kelebek civatası 1
 (3) Şablon kılavuzu 1
 (4) Anahtar 1
 (5) Kelebek civatası (A) 4
 (6) Kilit yayı 2
 (7) Toz toplama takımı (Şek. 17) 1
 Bölgelere göre değişiklikler yapıldığından ürün üzerindeki standart aksesuarları kontrol ettiğinizden emin olun. Standart aksesuarlarda önceden bildirimde bulunulmadan değişiklik yapılabilir.

İSTEĞE BAĞLI AKSESUARLAR – ayrıca satılır

- (1) Şablon kılavuzu



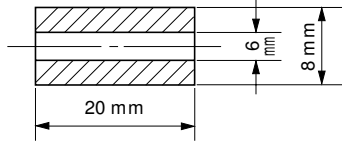
Alt kaidenin altı

A	B	C
16,5 mm	18 mm	4,5 mm
18,5 mm	20 mm	
25,5 mm	27 mm	
28,5 mm	30 mm	

FREZE MAKİNESİ KULLANIRKEN ÖNERİLEN ÖNLEMLER

1. Tek elle kullanım dengesiz ve tehlikelidir. Çalıştırırken bütün tutma yerlerini kavrandığınızdan emin olun .
2. Uç, çalışmanın hemen ardından çok sıcak olacaktır. Her ne sebeple olursa olsun uca çıplak elle dokunmayın.

- (2) Bağlama aynası (8 6)



- (3) Kırma kılavuzu (Şek. 14)

- (4) Bağlama aynası (8 mm)

- (5) Bağlama aynası (1/4")

- (6) İnce ayar topuzu (Şek. 17)

İsteğe bağlı aksesuarlarda önceden bildirimde bulunulmadan değişiklik yapılabilir.

UYGULAMALAR

- Kanal açma ve pah kırma üzerine yapılan ağaç işleri.

ALETİ KULLANMADAN ÖNCE

1. Güç kaynağı

Kullanılan güç kaynağının, ürünün üzerinde bulunan plakada belirtilen güç gerekliliklerine uygun olduğundan emin olun.

2. Açma/ Kapama anahtarı

Açma/ kapama anahtarının OFF konumunda olduğundan emin olun. Açma/ kapama anahtarı ON konumundayken aletin fişi prize takılırsa, alet derhal çalışmaya başlar ve ciddi kazalar meydana gelebilir.

3. Uzatma kablosu

Çalışma alanı güç kaynağından uzakta olduğunda, yeterli kalınlıkta ve belirtilen gücü kaldırabilen bir uzatma kablosu kullanın. Uzatma kablosu olabildiğince kısa tutulmalıdır.

UÇLARIN YERLEŞTİRİLMESİ VE ÇIKARTILMASI

UYARI

Ciddi problemlerin önüne geçebilmek için güç sviçini kapatıp fişi prizden çektiğimize emin olun.

1. Uçların yerleştirilmesi

- (1) Ucun gövdesini temizleyip aynada dibe kadar takın, ardından 2 mm kadar geriye dışarı çıkartın.
- (2) Uç takılıyken ve armatür milini tutan kilit pimine basarken 23 mm anahtarla aynayı saat yönünde sağlam bir şekilde sıkıştırın. (frezeyle alttan bakılırsa). (Şekil 1)

DIKKAT

- Bir uç takıldıktan sonra aynanın sağlam bir şekilde sıkıştırıldığından emin olun. Aksi takdirde aynada hasar oluşabilir.
- Aynayı sıkıştırdıktan sonra kilit pimin armatür miline takılı olmadığını emin olun. Bunu yapmamak aynada, kilit pimde ve armatür milinde hasara yol açacaktır.
- (3) 6 mm ucu 8 mm kapasiteli bir ayna ile kullanıyorsanız bir ayna bileziği kullandığınızdan emin olun. Önce ayna bileziğini aynaya takın. Adım (1) ve (2)'de olduğu şekilde aynayı sıkıştırın.

2. Uçları çıkarırken

Uçları çıkarıp takarken izlediğiniz adımları geriye doğru sırayla takip ederek uygulayın.

DIKKAT

Aynayı sıkıştırdıktan sonra kilit pimin armatür miline takılı olmadığını emin olun. Bunu yapmamak aynada, kilit pimde ve armatür milinde hasara yol açacaktır.

FREZE AÇMA NASIL KULLANILMALIDIR

1. Kesme derinliğinin ayarlanması. (Şekil 2)

- (1) Kesme derinliğini ayarlamak için stoper direği kullanın.
- ① Aleti düz bir ağaç yüzey üzerine yerleştirin.
- ② Stoper bloğu çevirin böylece stoper bloğundaki kesme derinliği ayar vidasının bağlı olmadığı kısım stoper direği altına gelecektir. Direk kilit topuzunu gevşeterek stoper direğinin stoper bloğuyla temas etmesini sağlayın.
- ③ Kilit kolu gevşetin ve alet gövdesine uçlar düz yüzeye ancak değene kadar basın. Bu noktada kilit kolu sıkıştırın. (Şekil 3)
- ④ Direk kilit topuzunu sıkıştırın. Derinlik göstergesini ölçęin "0" kademesi ile hizalayın.
- ⑤ Direk kilit topuzunu gevşetin. İbre istenilen kesme derinliğini gösteren kademeye gelene kadar kaldırın. Direk kilit topuzunu sıkıştırın.
- ⑥ Kilit kolunu gevşetin ve alet gövdesini istenilen kesme derinliğini sağlamak için aşağı stoper bloğuna kadar bastırın.
- (2) Şekil 4(a)'da gösterildiği şekilde civata sütun üzerindeki iki somunu çözmek ve onları aşağı indirmek, kilit kol gevşetildiğinde sizin aşağıya ucun sonuna kadar inmenize imkan verecektir. Bu işlem frezeyi, ucunu kesme pozisyonuyla hiza yapmak için hareket ettirenken faydalı olacaktır.

Şekil 4(b)'de gösterildiği şekilde kesme derinliğini sabitlemek için üst ve alt somunları sıkıştırın.

- (3) Kesme derinliğini ayarlamak için cetveli kullanmıyorsanız, önünüzü geçmemesi için stoper sütunu yukarı itin.

2. Stoper bloğu (Şekil 5)

Stoper bloğuna bağlı 2 kesme derinliği ayar vidası aynı anda 3 ayrı kesme derinliği belirlemekte kullanılabilir. Bu sırada kesme derinliği ayar vidalarının gevşeyip çıkmamaları için Somunları bir anahtar kullanarak sıkıştırın.

3. Frezeyle kılavuzla yön verilmesi

UYARI

Ciddi problemlerin önüne geçebilmek için güç sviçini kapatıp fişi prizden çektiğimize emin olun.

(1) Şablon kılavuz

Çok miktarda aynı şekil üründen yapmak için şablon kullanacağınız "kılavuz" kılavuz kullanın.

Şekil 6'da gösterildiği şekilde şablon kılavuzu frezenin altına iki aksesuar vidadıyla sabitleyin. Bu arada şablon kılavuzun çıkıntılı tarafının frezenin altının alt yüzeyiyle yüzleştirdiğinden emin olun.

Şablon, kont plak veya ince tahtadan yapılmış bir profil çıkartma kalıbıdır.

Bir şablon hazırlarken Şekil 7'de gösterilen ve aşağıda açıklanan meselelere özellikle dikkat edin.

Frezeyle şablonun iç düzlemi boyunca kullanırken, bitmiş ürünün ölçüleri şablon kılavuz yarıçapı ile ucun yarıçap farkı kadar olan bir "A" ölçüsü kadar şablonun ölçüsünden küçük olacaktır. Frezeyle şablonun dış kenarı boyunca kullanırken bunun tersi geçerli olacaktır. Şablonu iş parçasına sabitleyin. Şekil 8'de gösterildiği gibi frezeyle şablon kılavuzunun şablon boyunca hareket ettiği tarzda sürün.

(2) Doğrusal kılavuz (Şekil 9)

Malzemenin yanı sıra boyunca pah kırmak ve kanal açma işlemlerinde doğrusal kılavuzu kullanın.

- ① Kılavuz çubuğu çubuk tutucudaki deliğe yerleştirin, sonra hafifçe çubuk tutucu tepesindeki 2 kelebek civatasını (A) sıkıştırın.

- ② Kılavuz çubuğu kaideye deliğe takın, sonra kelebek civatayı (A) sıkıca sıkıştırın.

- ③ Besleme vidasıyla uç ve kılavuz yüzey arasında boyutlarda ufak ayarlamaları yapın, ardından çubuk tutucu tepesindeki 2 kelebek civatasını (A) ve doğrusal kılavuzu sabitleyen kelebek civata (B)'yi sıkıca sıkıştırın.

- ④ Şekil 10'de görüldüğü gibi, kaide altını işlenen malzeme üzerine emniyetli bir şekilde ilişirin. Kılavuz düzlemini malzeme üzerinde tutarak frezeyi besleyin (keserek ilerleyin).

4. Dönüş hızının ayarlanması (yalnızca model M8V2)

M8V2 modelin kademesiz olarak devir/dakika ayarı yapabilen bir elektronik kontrol sistemine sahiptir.

Şekil 11'da gösterildiği şekilde kadran konumu "1" minimum hız, konum "6" maksimum hıza verilmiştir.

5. Kesme

DIKKAT

- Bu aleti çalıştırırken emniyet gözlükleri takın.
- Aleti çalıştırırken ellerinizi, yüzünüzü ve vücudunuzun diğer kısımlarını uçlardan ve bütün diğer döner parçalardan uzak tutun.
- (1) Şekil 12'de gösterildiği şekilde ucu iş parçasından çıkartın ve düğme dilini yukarı "ON" (AÇIK) konumuna getirin. Uç, dönme üst hızına ulaşmadan kesme işlemine başlamayın.
- (2) Uç saat yönünde dönecektir. (ok yönü alt kısımda işlenmiştir). Maksimum kesme etkinliğini sağlamak için freze beslemesini Şekil 13'da verilen besleme talimatlarına uygun şekilde yapın.

NOT

Eğer derin kanallar açmakta aşırı bir uç kullanılırsa yüksek perdeden bir kesme sesi çıkabilir.

Bu yüksek perdeden ses, aşırı hızla kesme yerine yeni bir uç takılmasıyla ortadan kalkacaktır.

SEÇMELİ AKSESUARLARIN KULLANILMASI

- (1) Kırpma kılavuzu (**Şekil 14**)
Kırpma kılavuzunu kırpma ve pah kırmada kullanın. Kırpma kılavuzunu **Şekil 15**'de gösterildiği şekilde çubuk tutucuya bağlayın.
Tekeri uygun konuma ayarladıktan sonra, iki kelebek civatayı (A) ve diğer iki kelebek civatayı (B) sıkıştırın. **Şekil 16**'de gösterildiği şekilde kullanın.
- (2) İnce ayar topuzu (**Şekil 17**)
Kesme derinliğine ince ayar vermek için ince ayar topuzunu takın.
Yerleştirme metotları için takımla verilen kullanma talimatlarına başvurun.

BAKIM VE İNCELEME

1. Yağlama

Frezenin takintsız dikey hareketini sağlamak için sütunun kayan kısımlarına ve uç kelepçelere ara sıra birkaç damla makine yağı uygulayın.

2. Montaj vidalarının incelenmesi:

Tüm montaj vidalarını düzenli olarak inceleyin ve sağlam şekilde sıkılı olduğundan emin olun. Gevşeyen vidaları derhal sıkın. Gevşemiş vidalar ciddi tehlikelere yol açabilir.

3. Motorun incelenmesi

Motor biriminin sargıları, bu ağır iş aletinin "kalbidir". Sargının hasar görmediğinden ve/veya yağ ya da su ile ıslanmadığından emin olun.

4. Kömürlerin incelenmesi

Güvenliğiniz ve elektrik çarpmasına karşı koruma için bu alette kömürlerin incelenmesi ve değiştirilmesi sadece Hitachi Yetkili Servis Merkezi tarafından yapılmalıdır.

5. Elektrik kablosunun değiştirilmesi

Aletin elektrik kablosu hasar görmüşse, kablunun değiştirilmesi için alet Hitachi Yetkili Servis Merkezine götürülmelidir.

6. Servis parçaları listesi

DİKKAT

Hitachi Güç Takımlarının onarımı, modifikasyonu ve gözden geçirilmesi Hitachi yetkili Servis Merkezi tarafından yapılmalıdır.

Hitachi yetkili Servis Merkezine tamir ya da bakım amacıyla başvurulduğunda Parça Listesinin takım ile birlikte verilmesi faydalı olacaktır.

Güç takımlarının çalıştırılması ve bakımlarının yapılması esnasında her ülke için belirtilen güvenlik düzenlemelerine ve standartlarına uyulması gerekmektedir.

DEĞİŞİKLİKLER

Hitachi Ağır İş Aletleri en son teknolojik ilerlemelere uygun olarak sürekli değiştirilmekte ve geliştirilmektedir. Dolayısıyla, bazı kısımlarda önceden bildirimde bulunulmadan değişiklik yapılabilir.

GARANTİ

Hitachi Elektrikli El Aletlerine ülkelere özgü hukuki düzenlemeler çerçevesinde garanti vermektetiz. Bu garanti, yanlış veya kötü kullanım, normal aşınma ve yıpranmadan kaynaklanan arıza ve hasarları kapsamamaktadır. Şikayet durumunda, Elektrikli El Aleti, sökülmemiş bir şekilde, bu kullanım kılavuzunun sonunda bulunan GARANTİ BELGESİYLE birlikte bir Hitachi yetkili servis merkezine gönderilmelidir.

NOT

HITACHI'nin süregelen araştırma ve geliştirme programına bağlı olarak burada belirtilen teknik özelliklerde önceden bildirimde bulunulmadan değişiklik yapılabilir.

Havadan yayılan gürültü ve titreşimle ilgili bilgiler

Ölçülen değerlerin EN60745 ve ISO 4871'e uygun olduğu tespit edilmiştir.

M8V2

Ölçülmüş A-ağırlıklı gürültü güç derecesi: 90 dB(A)

Ölçülmüş A-ağırlıklı gürültü güç derecesi: 79 dB(A)

Belirsiz KpA: 3 dB(A)

Tipik ağırlıklı ortalama karekök ivme değeri: 0,7 m/s²

M8SA2

Ölçülmüş A-ağırlıklı gürültü güç derecesi: 90 dB(A)

Ölçülmüş A-ağırlıklı gürültü güç derecesi: 79 dB(A)

Belirsiz KpA: 3 dB(A)

Tipik ağırlıklı ortalama karekök ivme değeri: 0,9 m/s²

Kulak koruyucusu kullanın.

ОБЩИЕ ПРАВИЛА ПО ТЕХНИКЕ БЕЗОПАСНОСТИ

ПРЕДУПРЕЖДЕНИЕ!

Прочтите руководство по эксплуатации

Невыполнение всех приведенных ниже положений данного руководства может привести к поражению электрическим током, пожару и/или к серьезной травме. Термин "электроинструмент" в контексте всех приведенных ниже мер предосторожности относится к эксплуатируемому Вами электроинструменту с питанием от сетевой розетки (с сетевым шнуром) или электроинструменту с питанием от аккумуляторной батареи (беспроводному).

СОХРАНИТЕ ДАННОЕ РУКОВОДСТВО

1) Рабочее место

- a) **Поддерживайте чистоту и хорошее освещение на рабочем месте.**

Беспорядок и плохое освещение на рабочих местах приводит к несчастным случаям.

- b) **Не используйте электроинструменты во взрывоопасных окружающих условиях, например, в непосредственной близости от огнеопасных жидкостей, горючих газов или легковоспламеняющейся пыли.**

Электроинструменты порождают искры, которые могут воспламенить пыль или испарения.

- c) **Держите детей и наблюдателей на безопасном расстоянии во время эксплуатации электроинструмента.**

Отвлечение внимания может стать для Вас причиной потери управления.

2) Электробезопасность

- a) **Штепсельные вилки электроинструментов должны соответствовать сетевой розетке.**

Никогда не модифицируйте штепсельную вилку никоим образом.

Не используйте никакие адаптерные переходники с заземленными (замкнутыми на землю) электроинструментами.

Немодифицированные штепсельные вилки и соответствующие им сетевые розетки уменьшат опасность поражения электрическим током.

- b) **Не прикасайтесь телом к заземленным поверхностям, например, к трубопроводам, радиаторам, кухонным плитам и холодильникам.**

Если Ваше тело соприкоснется с заземленными поверхностями, возрастает опасность поражения электрическим током.

- c) **Не подвергайте электроинструменты воздействию дождя или влаги.**

При попадании воды в электроинструмент возрастает опасность поражения электрическим током.

- d) **Правильно обращайтесь со шнуром. Никогда не переносите электроинструмент, взяв за шнур, не тяните за шнур, и не дергайте за шнур с целью отсоединения электроинструмента от сетевой розетки. Располагайте шнур подальше от источников тепла, нефтепродуктов, предметов с острыми кромками и движущихся деталей.**

Поврежденные или запутанные шнуры увеличивают опасность поражения электрическим током.

- e) **При эксплуатации электроинструмента вне помещений, используйте удлинительный шнур, предназначенный для использования вне помещения.**

Использование шнура, предназначенного для работы вне помещений, уменьшит опасность поражения электрическим током.

3) Личная безопасность

- a) **Будьте готовы к неожиданным ситуациям, внимательно следите за своими действиями и руководствуйтесь здравым смыслом при эксплуатации электроинструмента. Не используйте электроинструмент, когда Вы устали или находитесь под влиянием наркотиков, алкоголя или лекарственных препаратов.**

Мгновенная потеря внимания во время эксплуатации электроинструментов может привести к серьезной травме.

- b) **Используйте защитное снаряжение. Всегда надевайте средство защиты глаз.**

Защитное снаряжение, например, противопылевой респиратор, защитная обувь с нескользкой подошвой, защитный шлем-каска или средства защиты органов слуха, используемые для соответствующих условий, уменьшат травмы.

- c) **Избегайте непреднамеренного включения двигателя. Убедитесь в том, что выключатель находится в положении выключения перед подсоединением к сетевой розетке.**

Переноска электроинструментов, когда Вы держите палец на выключателе, или подсоединение электроинструментов к сетевой розетке, когда выключатель будет находиться в положении включения, приводит к несчастным случаям.

- d) **Снимите все регулировочные или гаечные ключи перед включением электроинструмента.**

Гаечный или регулировочный ключ, оставленный прикрепленным к вращающейся детали электроинструмента может привести к получению личной травмы.

- e) **Не теряйте устойчивость. Все время имейте надежную точку опоры и сохраняйте равновесие.**

Это поможет лучше управлять электроинструментом в непредвиденных ситуациях.

- f) **Одевайтесь надлежащим образом. Не надевайте просторную одежду или ювелирные изделия. Держите волосы, одежду и перчатки как можно дальше от движущихся частей.**

Просторная одежда, ювелирные изделия или длинные волосы могут попасть в движущиеся части.

- g) **Если предусмотрены устройства для присоединения приспособлений для отвода и сбора пыли, убедитесь в том, что они присоединены и используются надлежащим образом.**

Использование данных устройств может уменьшить опасности, связанные с пылью.

4) Эксплуатация и обслуживание электроинструментов

а) Не перегружайте электроинструмент. Используйте надлежащий для Вашего применения электроинструмент.

Надлежащий электроинструмент будет выполнять работу лучше и надежнее в том режиме работы, на который он рассчитан.

б) Не используйте электроинструмент с неисправным выключателем, если с его помощью нельзя будет включить и выключить электроинструмент.

Каждый электроинструмент, которым нельзя управлять с помощью выключателя, будет представлять опасность и его будет необходимо отремонтировать.

в) Отсоедините штепсельную вилку от источника питания перед началом выполнения какой-либо из регулировок, перед сменой принадлежностей или хранением электроинструментов.

Такие профилактические меры безопасности уменьшат опасность непреднамеренного включения двигателя электроинструмента.

г) Храните неиспользуемые электроинструменты в недоступном для детей месте, и не разрешайте людям, не знающим как обращаться с электроинструментом или не изучившим данное руководство, работать с электроинструментом.

Электроинструменты представляют опасность в руках неподготовленных пользователей.

д) Содержите электроинструменты в исправности. Проверьте, нет ли несоосности или заедания движущихся частей, повреждения деталей или какого-либо другого обстоятельства, которое может повлиять на функционирование электроинструментов.

При наличии повреждения, отремонтируйте электроинструмент перед его эксплуатацией. Большое количество несчастных случаев связано с плохим обслуживанием электроинструментов.

е) Содержите режущие инструменты остро заточенными и чистыми.

Содержащиеся в исправности надлежащим образом режущие инструменты с острыми режущими кромками будут меньше заедать, и будут легче в управлении.

г) Используйте электроинструмент, принадлежности, насадки и т.п., в соответствии с данным руководством и определенным типом электроинструмента для выполнения работы по его прямому назначению, принимая во внимание условия и объем выполняемой работы.

Использование электроинструмента для выполнения работ не по прямому назначению может привести к опасной ситуации.

5) Обслуживание

а) Обслуживание Вашего электроинструмента должно выполняться квалифицированным представителем ремонтной службы с использованием только идентичных запасных частей.

Это обеспечит сохранность и безопасность электроинструмента.

МЕРА ПРЕДОСТОРОЖНОСТИ

Держите подальше от детей и слабых людей.

Если инструменты не используются, их следует хранить в недоступном для детей и слабых людей месте.

МЕРЫ ПРЕДОСТОРОЖНОСТИ ПРИ ИСПОЛЬЗОВАНИИ ФРЕЗЕРОВАЛЬНОЙ МАШИНЫ

1. Использование станка одной рукой опасно и недопустимо. Перед использованием удостоверьтесь, что обе ручки прочно закреплены.
2. Непосредственно после использования резец очень горячий. Ни при каких обстоятельствах не дотрагивайтесь голыми руками к рецу.

ТЕХНИЧЕСКИЕ ХАРАКТЕРИСТИКИ

Модель	M8V2	M8SA2
Напряжение (по регионам)*	(110 В, 120 В, 220 В, 230 В, 240 В) ∪	
Потребляемая мощность*	1150 W	900 W
Мощность цангового патрона	8 мм или 1/4"	
Число оборотов холостого хода	11000 – 25000 мин ⁻¹	25000 мин ⁻¹
Величина хода корпуса	60 мм	
Вес (без кабеля и стандартных комплектующих деталей)	3,6 кг	3,5 кг

* Проверьте паспортную табличку на изделии, так как она меняется в зависимости от региона

СТАНДАРТНЫЕ АКСЕССУАРЫ

- (1) Прямое направляющее устройство 1
 - (2) Фиксатор бруса 1
 - Опорный брус 2
 - Ходовой винт 1
 - Стопорный болт с загнутым стержнем 1
 - (3) Регулятор шаблона 1
 - (4) Гаечный ключ 1
 - (5) Стопорный болт с загнутым стержнем (А) 4
 - (6) Стопорная пружина 2
 - (7) Устройство для сбора пыли (Рис. 17) 1
- Просим проверять стандартные аксессуары к продукту, поскольку они могут меняться в зависимости от регионов. Набор стандартных аксессуаров может быть без предупреждения изменён.

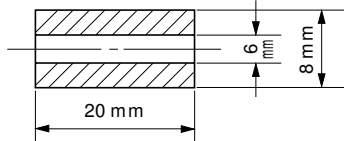
ДОПОЛНИТЕЛЬНЫЕ АКСЕССУАРЫ – продаются отдельно

- (1) Регулятор шаблона



A	B	C
16,5 mm	18 mm	4,5 mm
18,5 mm	20 mm	
25,5 mm	27 mm	
28,5 mm	30 mm	

- (2) Цанговый патрон (8 6)



- (3) Направляющая обрезного станка (Рис. 14)
 - (4) Цанговый патрон (8mm)
 - (5) Цанговый патрон (1/4")
 - (6) Рукоятка точной регулировки (Рис. 17)
- Набор дополнительных аксессуаров может быть без предупреждения изменён.

ОБЛАСТЬ ПРИМЕНЕНИЯ

- Деревообрабатывающие работы по подравниванию и закруглению кромок.

ПОДГОТОВКА К ЭКСПЛУАТАЦИИ

1. Источник электропитания

Проследите за тем, чтобы используемый источник электропитания соответствовал требованиям к источнику электропитания, указанным на типовой табличке изделия.

2. Переключатель "Вкл./ Выкл."

Убедитесь в том, что переключатель находится в положении "Выкл.". Если вы вставляете штепсель в розетку, а переключатель находится в положении "Вкл.", инструмент немедленно заработает, что может стать причиной серьёзной травмы.

3. Удлинитель

Когда рабочая площадка удалена от источника электропитания, пользуйтесь удлинителем. Удлинитель должен иметь требуемую площадь поперечного сечения и обеспечивать работу инструмента заданной мощности. Разматывайте удлинитель только на реально необходимую для данного конкретного применения длину.

УСТАНОВКА И УДАЛЕНИЕ РЕЗЦОВ

ПРЕДОСТЕРЕЖЕНИЕ

Во избежание несчастных случаев удостоверьтесь, что вы выключили питание и отсоединили прибор от электросети.

1. Установка резцов

- (1) Очистите и вставьте хвостовик реза в цанговый патрон пока он не достигнет дна, потом потяните его назад примерно на 2 мм.
- (2) Когда резец вставлен и давит на стопорный штифт, держачий арматурный вал, возьмите гаечный ключ 23 мм и крепко затяните цанговый патрон по часовой стрелке. (вид из-под фрезерного станка). (Рис. 1)

ОСТОРОЖНО

- После того, как вы вставите резец, удостоверьтесь, что цанговый патрон крепко затянут. Если вы это не сделаете, то повредите цанговый патрон.
- После того, как вы затяните цанговый патрон, удостоверьтесь, что стопорный штифт не вставлен в арматурный вал. Если вы это не сделаете, то повредите цанговый патрон, стопорный штифт и арматурный вал.
- (3) При использовании 6-миллиметрового реза с пропускной способностью цангового патрона в 8 мм необходимо использовать втулку патрона. Сначала глубоко введите втулку в цанговый патрон, а потом вставьте в него резец. Плотно затяните цанговый патрон согласно шагов (1) и (2).

2. Удаление резцов

При удалении резцов, следуйте пунктам их установления в обратном порядке.

ОСТОРОЖНО

После того, как вы затяните цанговый патрон, удостоверьтесь, что стопорный штифт не вставлен в арматурный вал. Если вы это не сделаете, то повредите цанговый патрон, стопорный штифт и арматурный вал.

КАК ИСПОЛЬЗОВАТЬ ФРЕЗЕРНЫЙ СТАНОК

1. Установка глубины резания (Рис. 2)

- (1) С помощью ограничителя отрегулируйте глубину резания.
 - ① Установите инструмент на плоской деревянной поверхности.
 - ② Поверните стопорный блок так, чтобы деталь, к которой не прикреплен винт установки глубины резания, подошла ко дну ограничителя. Ослабьте

стопорную рукоятку для контакта ограничителя со стопорным блоком.

- ③ Ослабьте стопорный рычаг и нажмите на корпус инструмента пока резец не дотронется до плоской поверхности. Затяните стопорный рычаг на этой стадии. (Рис. 3)
- ④ Затяните стопорную рукоятку. Выровняйте индикатор глубины на делении "0".
- ⑤ Ослабьте стопорную рукоятку и поднимите пока индикатор не поравняется с делением, показывающим желаемую глубину резания. Затяните стопорную рукоятку.
- ⑥ Для получения желаемой глубины резания ослабьте стопорный рычаг и нажмите на корпус инструмента пока стопор не заблокируется.

(2) Как показано на Рис. 4 (а) ослабление двух гаек на стержне с резьбой и их передвижение вниз позволит вам спуститься до максимально низкого положения резца, если ослаблена стопорная рукоятка. Это полезно при передвижении фрезерного станка для выравнивания резца с положением резания.

Как показано на Рис. 4 (b), затяните верхнюю и нижнюю гайки для обеспечения глубины резания.

(3) Если вы не пользуетесь шкалой для установки глубины резания, оттолкните ограничитель, чтобы он не находился на пути.

2. Стопорный блок (Рис. 5)

Два винта установки глубины резания, прикрепленные к стопорному блоку, можно отрегулировать так, чтобы одновременно устанавливать 3 разные глубины резания. Используйте гаечный ключ для затягивания гаек так, чтобы в это время не ослабились винты установки глубины резания.

3. Как направлять фрезерный станок ПЕРЕДВИЖЕНИЕ

Во избежание несчастных случаев удостоверьтесь, что вы выключили питание и отсоединили прибор от электросети.

(1) Регулятор шаблона

При применении шаблона необходимо использовать регулятор шаблона для производства большого количества изделий идентичной формы.

Как показано на Рис. 6, зафиксируйте регулятор шаблона на основе фрезероального станка с помощью двух дополнительных винтов. При этом боковой выступ регулятора шаблона должен быть направлен на зону контакта фундамента-основания фрезерного станка.

Шаблон является профильная форма из клееной фанеры или тонкого дерева.

При изготовлении шаблона необходимо обращать особое внимание на приведенные ниже моменты, иллюстрированные на Рис. 7.

При использовании фрезерного станка вдоль внутренней плоскости шаблона размеры конечной продукции будут меньше, чем размеры шаблона, на размер "А", т.е. разницу радиуса регулятора шаблона и радиуса резца. Использование фрезерного станка вдоль внешней плоскости шаблона приводит к противоположным результатам.

Закрепите шаблон на заготовке. Подача на фрезерный станок проводится таким образом, чтобы регулятор шаблона двигался вдоль шаблона, как показано на Рис. 8.

(2) Прямое направляющее устройство (Рис. 9)

Используйте прямое направляющее устройство для закругления кромок и вырезания желобов вдоль стороны сырья.

- ① Вставьте опорный брус в отверстие фиксатора бруса, потом немного затяните 2 стопорных болта с загнутым стержнем (А) на верхушке фиксатора бруса.
- ② Вставьте опорный брус в отверстие основания, потом крепко затяните стопорный болт с загнутым стержнем (А).
- ③ Проведите прецизионную настройку расстояния между резцом и поверхностью с помощью ходового винта, затем крепко затяните 2 стопорных болта с загнутым стержнем (А) на верхушке фиксатора бруса и стопорный болт с загнутым стержнем (В), который фиксирует прямое направляющее устройство.

④ Как показано на Рис. 10, надежно прикрепите дно основания к обрабатываемой поверхности сырья. Подключите фрезерный станок, когда держите направляющую пластину на поверхности сырья.

4. Регуляция скорости вращения (только модель M8V2)

Модель M8V2 имеет электронную систему управления, которая позволяет плавно изменять количество оборотов в минуту.

11, позиция "1" градуированного диска означает минимальную скорость, позиция "6" – максимальную.

5. Резание

ОСТОЖОЖНО

- При работе с инструментом используйте средства для защиты глаз.
- При использовании инструмента держите руки, лицо и другие части тела подальше от резца и других вращающихся деталей.

(1) Как показано на Рис. 12, отделите резец от обрабатываемой детали и переведите рычаг переключения в позицию ON (Вкл.). Не начинайте процесс резания пока резец не достиг максимальной скорости вращения.

(2) Резец вращается по часовой стрелке (направление стрелки указано в основании). Для получения максимальной эффективности нарезания, нагрузите фрезерный станок в соответствии с указаниями по нагрузке, показанными на Рис. 13.

ПРИМЕЧАНИЕ

Если вы используете для прорезания глубоких пазов изношенное сверло, может раздаться высокочастотный пронзительный звук.

Замена изношенного сверла новым устранит этот высокочастотный шум.

ИСПОЛЬЗОВАНИЕ ДОПОЛНИТЕЛЬНЫХ КОМПЛЕКТУЮЩИХ ДЕТАЛЕЙ

(1) Направляющая обрезающего станка (Рис. 14)

Используйте направляющую обрезающего станка для подравнивания и закругления кромок. Прикрепите направляющую обрезающего станка к фиксатору бруса, как показано на Рис. 15.

После установления валика на определенную позицию, затяните два стопорных болта с загнутым стержнем (А) и другие два стопорных болта с загнутым стержнем (В). Как показано на Рис. 16.

- (2) Рукоятка точной регулировки (**Рис. 17**)
Соедините рукоятку точной регулировки для точной регулировки глубины резания.
Для ознакомления с методами установки просим ознакомиться с инструкциями по обращению, прилагающимися к набору.

ТЕХНИЧЕСКОЕ ОБСЛУЖИВАНИЕ И ПРОВЕРКА

- 1. Смазка**
Смазывание. Для обеспечения гладкого вертикального движения фрезерного станка, время от времени смазывайте скользящие части стержня и конца кронштейна машинным маслом.
- 2. Проверка установленных винтов**
Регулярно проверяйте все установленные на инструменте винты, следите за тем, чтобы они были как следует затянуты. Немедленно затяните винт, который окажется ослабленным. Невыполнение этого правила грозит серьезной опасностью.
- 3. Техническое обслуживание двигателя**
Обмотка двигателя - "сердце" электроинструмента. Проявляйте должное внимание, следя за тем, чтобы обмотка не была повреждена и/или залита маслом или водой.
- 4. Осмотр угольных щеток**
С целью обеспечения Вашей постоянной безопасности и предотвращения поражения электрическим током, осмотр и замену угольной щетки на данном электроинструменте должны выполнять ТОЛЬКО специалисты авторизованного сервисного центра Hitachi.
- 5. Замена сетевого шнура**
В случае если будет поврежден сетевой шнур данного электроинструмента, электроинструмент необходимо вернуть в авторизованный сервисный центр Hitachi для замены шнура.
- 6. Порядок записей по техобслуживанию**

ПРЕДОСТЕРЕЖЕНИЕ

Ремонт, модификацию и осмотр механизированного инструмента фирмы Hitachi следует проводить в авторизованном сервисном центре Hitachi.

Этот перечень запасных частей пригодится при представлении его вместе с инструментом в авторизованный сервисный центр Hitachi с запросом на ремонт или прочее обслуживание.

При работе и обслуживании механизированных инструментов нужно соблюдать правила и стандарты безопасности, действующие в каждой данной стране.

ЗАМЕЧАНИЕ

Фирма HITACHI непрерывно работает над усовершенствованием своих изделий, поэтому мы сохраняем за собой право на внесение изменений в технические характеристики, упомянутые в данной инструкции по эксплуатации, без предупреждения об этом.

ГАРАНТИЯ

Мы гарантируем соответствие автоматических инструментов Hitachi нормативным/национальным положениям. Данная гарантия не распространяется на дефекты или ущерб, возникший вследствие неправильного использования или ненадлежащего

обращения, а также нормального износа. В случае подачи жалобы отправляйте автоматический инструмент в неразобранном состоянии вместе с ГАРАНТИЙНЫМ СЕРТИФИКАТОМ, который находится в конце инструкции по обращению, в авторизованный центр обслуживания Hitachi.

ПРИМЕЧАНИЕ

На основании постоянных программ исследования и развития, HITACHI оставляют за собой право на изменение указанных здесь технических данных без предварительного уведомления.

Информация, касающаяся создаваемого шума и вибрации

Измеряемые величины были определены в соответствии с EN60745 и заявлены в соответствии с ISO 4871.

M8V2

Измеренный средневзвешенный уровень звуковой мощности: 90 дБ (А)

Измеренный средневзвешенный уровень звукового давления: 79 дБ (А)

Погрешность КрА: 3 дБ (А)

Типичное значение вибрации: 0,7 м/с²

M8SA2

Измеренный средневзвешенный уровень звуковой мощности: 90 дБ (А)

Измеренный средневзвешенный уровень звукового давления: 79 дБ (А)

Погрешность КрА: 3 дБ (А)

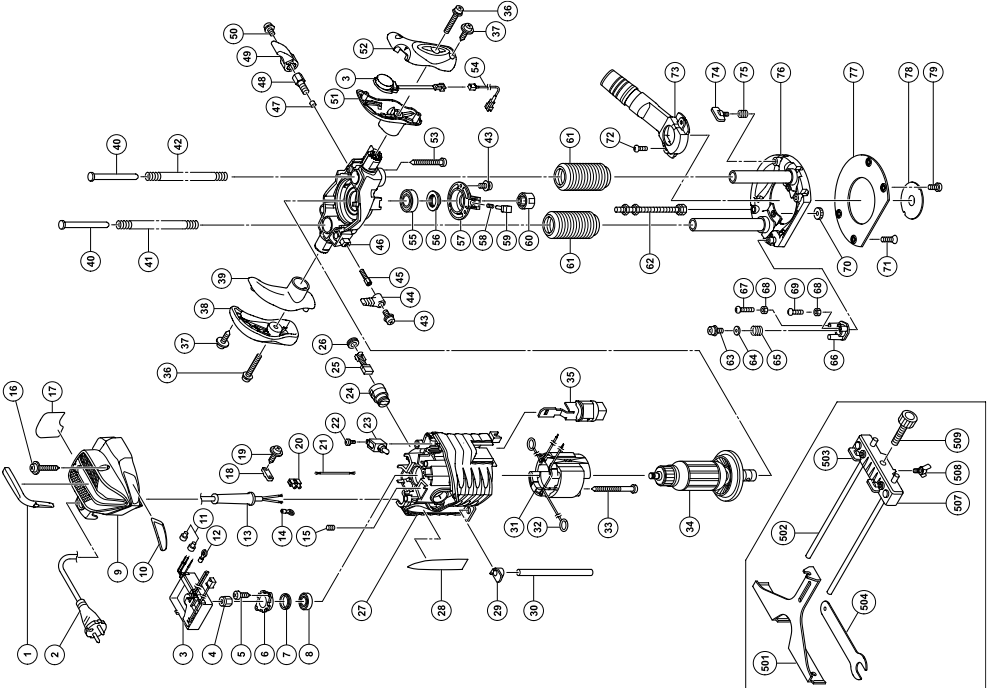
Типичное значение вибрации: 0,9 м/с²

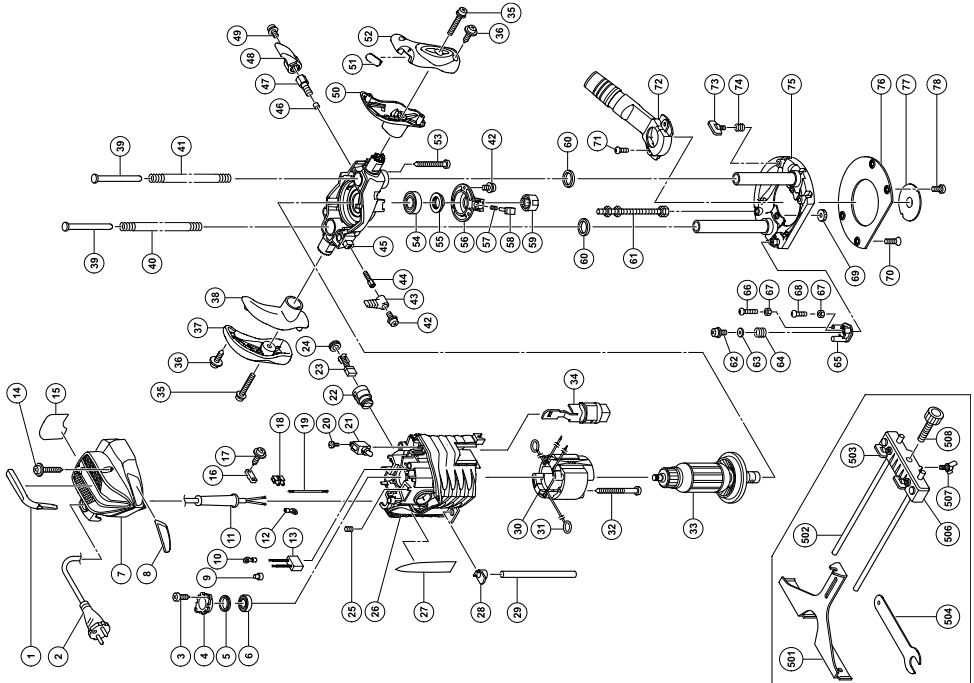
Надевайте наушники.

M8V2

Item No.	Part Name	QTY
1	HITACHI LABEL (B)	1
2	CORD	1
3	CONTROLLER CIRCUIT (A) DIAL SET	1
4	MAGNET	1
5	TAPPING SCREW D4 12	2
6	BEARING BUSHING	1
7	RUBBER RING	1
8	BALL BEARING 608VVC2	1
9	HEAD COVER	1
10	HITACHI LABEL (A)	1
11	CONNECTOR 50092	1
12	TERMINAL	1
13	CORD ARMOR	1
14	TERMINAL	1
15	HEX. SOCKET SET SCREW M5 8	2
16	TAPPING SCREW (W/FLANGE)	3
17	NAME PLATE	1
18	CORD CLIP	1
19	TAPPING SCREW (W/FLANGE) D4 16	2
20	PILLAR TERMINAL	1
21	LEAD WIRE	1
22	MACHINE SCREW (W/WASHER) M3.5 6	2
23	SWITCH	1
24	BRUSH HOLDER	2
25	CARBON BRUSH	2
26	BRUSH CAP	2
27	HOUSING ASS'Y	1
28	SCALE	1
29	MARKER	1
30	STOPPER POLE (A)	1
31	STATOR ASS'Y	1
32	BRUSH TERMINAL	2
33	HEX. HD. TAPPING SCREW D5 70	2
34	ARMATURE	1
35	LEVER	1
36	MACHINE SCREW (W/WASHERS) M6 30	2
37	TAPPING SCREW (W/FLANGE) D4 16	4
38	HANDLE (L) B	1
39	HANDLE (L) A	1
40	SPRING GUIDE	2
41	PLUNGER SPRING (R)	1
42	PLUNGER SPRING (L)	1
43	MACHINE SCREW (W/WASHERS) M4 12	1
44	LEVER (C)	1
45	LOCK SCREW M6	1
46	END BRACKET	1

Item No.	Part Name	QTY
47	LOCK PIECE	1
48	LOCK SCREW M10	1
49	LEVER (A) W/O STOPPER	1
50	MACHINE SCREW (W/WASHERS) M6 10	1
51	HANDLE (R) A	1
52	HANDLE (R) B	1
53	TAPPING SCREW D5 50	4
54	CORD (A)	1
55	BALL BEARING 6004TIXV	1
56	THRUST NUT	1
57	BEARING COVER	1
58	LOCK SPRING (A)	1
59	PUSHING BUTTON	1
60	COLLET CHUCK	1
61	BELLOWS (A)	2
62	SCREW M8	1
63	MACHINE SCREW (W/WASHERS) M4 8	1
64	WASHER (B)	1
65	SPRING (A)	1
66	STOPPERBLOCK	1
67	MACHINE SCREW M5X25	1
68	NUT M5	2
69	MACHINE SCREW M5X16	1
70	KNOB NUT	2
71	SEAL LOCK FLAT HD. SCREW M5 14	4
72	MACHINE SCREW M5 12	2
73	DUST COLLECTION ADAPTER SET	1
74	WING BOLT M6 15	2
75	LOCK SPRING	2
76	BASE	1
77	SUB BASE	1
78	TEMPLATE GUIDE D18	1
79	MACHINE SCREW M5 6	2
501	STRAIGHT GUIDE	1
502	GUIDE BAR(A)	2
503	WING BOLT M6 15	2
504	WRENCH 23MM	1
507	BAR HOLDER	1
508	WING BOLT M6 10	1
509	FEED SCREW	1





Item No.	Part Name	QTY
1	HITACHI LABEL (B)	1
2	CORD	1
3	TAPPING SCREW D4 12	2
4	BEARING BUSHING	1
5	RUBBER RING	1
6	BALL BEARING 608VVVC2	1
7	HEAD COVER	1
8	HITACHI LABEL (A)	1
9	CONNECTOR 50092	1
10	TERMINAL	1
11	CORD ARMOR	1
12	TERMINAL	1
13	NOISE SUPPRESSOR	1
14	TAPPING SCREW (W/FLANGE)	3
15	NAME PLATE	1
16	CORD CLIP	1
17	TAPPING SCREW (W/FLANGE) D4 16	2
18	PILLAR TERMINAL	1
19	LEAD WIRE	1
20	MACHINE SCREW (W/WASHER) M3.5 6	2
21	SWITCH	1
22	BRUSH HOLDER	2
23	CARBON BRUSH	2
24	BRUSH CAP	2
25	HEX. SOCKET SET SCREW M5 8	2
26	HOUSING ASSY	1
27	SCALE	1
28	MARKER	1
29	STOPPER POLE (A)	1
30	STATOR ASSY	1
31	BRUSH TERMINAL	2
32	HEX. HD. TAPPING SCREW D5 70	2
33	ARMATURE	1
34	LEVER	1
35	MACHINE SCREW (W/WASHER) M6 30	2
36	TAPPING SCREW (W/FLANGE) D4 16	4
37	HANDLE (L) B	1
38	HANDLE (L) A	1
39	SPRING GUIDE	2
40	PLUNGER SPRING (R)	1
41	PLUNGER SPRING (L)	1
42	MACHINE SCREW (W/WASHER) M4 12	1
43	LEVER (C)	1
44	LOCK SCREW M6	1
45	END BRACKET	1
46	LOCK PIECE	1

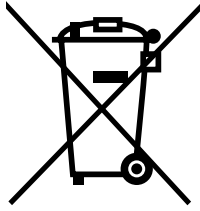
Item No.	Part Name	QTY
47	LOCK SCREW M10	1
48	LEVER (A) W/O STOPPER	1
49	MACHINE SCREW (W/WASHER) M6 10	1
50	HANDLE (R) A	1
51	DIAL COVER	1
52	HANDLE (R) B	1
53	TAPPING SCREW D5 50	4
54	BALL BEARING 6004TIKVV	1
55	THRUST NUT	1
56	BEARING COVER	1
57	LOCK SPRING (A)	1
58	PUSHING BUTTON	1
59	COLLET CHUCK	1
60	FELT	2
61	SCREW M8	1
62	MACHINE SCREW (W/WASHER) M4 8	1
63	WASHER (B)	1
64	SPRING (A)	1
65	STOPPER BLOCK	1
66	MACHINE SCREW M5 25	1
67	NUT M5	2
68	MACHINE SCREW M5 16	1
69	KNOB NUT	2
70	SEAL LOCK FLAT HD. SCREW M5 14	4
71	MACHINE SCREW M5 12	2
72	DUST COLLECTION ADAPTER SET	1
73	WING BOLT M6 15	2
74	LOCK SPRING	2
75	BASE	1
76	SUB BASE	1
77	TEMPLATE GUIDE D18	1
78	MACHINE SCREW M5 6	2
501	STRAIGHT GUIDE	1
502	GUIDE BAR (A)	2
503	WING BOLT M6 15	2
504	WRENCH 23MM	1
506	BAR HOLDER	1
507	WING BOLT M6 10	1
508	FEED SCREW	1

<p>English</p> <p><u>GUARANTEE CERTIFICATE</u></p> <ol style="list-style-type: none"> ① Model No. ② Serial No. ③ Date of Purchase ④ Customer Name and Address ⑤ Dealer Name and Address (Please stamp dealer name and address) 	<p>Magyar</p> <p><u>GARANCIA BIZONYLAT</u></p> <ol style="list-style-type: none"> ① Típuszám ② Sorozatszám ③ A vásárlás dátuma ④ A Vásárló neve és címe ⑤ A Kereskedő neve és címe (Kérjük ide elhelyezni a Kereskedő nevének és címének pecsétjét)
<p>Deutsch</p> <p><u>GARANTIESCHEIN</u></p> <ol style="list-style-type: none"> ① Modell-Nr. ② Serien-Nr. ③ Kaufdatum ④ Name und Anschrift des Kunden ⑤ Name und Anschrift des Händlers (Bitte mit Namen und Anschrift des Handlers abstempeln) 	<p>Čeština</p> <p><u>ZÁRUČNÍ LIST</u></p> <ol style="list-style-type: none"> ① Model č. ② Série č. ③ Datum nákupu ④ Jméno a adresa zákazníka ⑤ Jméno a adresa prodejce (Prosíme o razítko se jménem a adresou prodejce)
<p>Ελληνικά</p> <p><u>ΠΙΣΤΟΠΟΙΗΤΙΚΟ ΕΓΓΥΗΣΗΣ</u></p> <ol style="list-style-type: none"> ① Αρ. Μοντέλου ② Αύξων Αρ. ③ Ημερομηνία αγοράς ④ Όνομα και διεύθυνση πελάτη ⑤ Όνομα και διεύθυνση μεταπωλητή (Παρακαλούμε να χρησιμοποιηθεί σφραγίδα) 	<p>Türkçe</p> <p><u>GARANTİ SERTİFİKASI</u></p> <ol style="list-style-type: none"> ① Model No. ② Seri No. ③ Satın Alma Tarihi ④ Müşteri Adı ve Adresi ⑤ Bayi Adı ve Adresi (Lütfen bayi adını ve adresini kaşe olarak basın)
<p>Polski</p> <p><u>GWARANCJA</u></p> <ol style="list-style-type: none"> ① Model ② Numer seryjny ③ Data zakupu ④ Nazwa klienta i adres ⑤ Nazwa dealera i adres (Pieczęć punktu sprzedaży) 	<p>Русский</p> <p><u>ГАРАНТИЙНЫЙ СЕРТИФИКАТ</u></p> <ol style="list-style-type: none"> ① Модель № ② Серийный № ③ Дата покупки ④ Название и адрес заказчика ⑤ Название и адрес дилера (Пожалуйста, внесите название и адрес дилера)

HITACHI

①	
②	
③	
④	
⑤	





English

Only for EU countries

Do not dispose of electric tools together with household waste material!

In observance of European Directive 2002/96/EC on waste electrical and electronic equipment and its implementation in accordance with national law, electric tools that have reached the end of their life must be collected separately and returned to an environmentally compatible recycling facility.

Deutsch

Nur für EU-Länder

Werfen Sie Elektrowerkzeuge nicht in den Hausmüll!

Gemäss Europäischer Richtlinie 2002/96/EG über Elektro- und Elektronik- Altgeräte und Umsetzung in nationales Recht müssen verbrauchte Elektrowerkzeuge getrennt gesammelt und einer umweltgerechten Wiederverwertung zugeführt werden.

Ελληνικά

Μόνο για τις χώρες της ΕΕ

Μην πετάτε τα ηλεκτρικά εργαλεία στον κάδο οικιακών απορριμμάτων!

Σύμφωνα με την ευρωπαϊκή οδηγία 2002/96/EK περί ηλεκτρικών και ηλεκτρονικών συσκευών και την ενσωμάτωσή της στο εθνικό δίκαιο, τα ηλεκτρικά εργαλεία πρέπει να συλλέγονται ξεχωριστά και να επιστρέφονται για ανακύκλωση με τρόπο φιλικό προς το περιβάλλον.

Polski

Dotyczy tylko państw UE

Nie wyrzucaj elektronarzędzi wraz z odpadami z gospodarstwa domowego!

Zgodnie z Europejską Dyrektywą 2002/96/WE w sprawie zużytego sprzętu elektrotechnicznego i elektronicznego oraz dostosowaniem jej do prawa krajowego, zużyte elektronarzędzia należy posegregować i zutylizować w sposób przyjazny dla środowiska.

Magyar

Csak EU-országok számára

Az elektromos kéziszerszámokat ne dobja a háztartási szemétkébe!

A használt villamos és elektronikai készülékekről szóló 2002/96/EK irányelv és annak a nemzeti jogba való átültetése szerint az elhasznált elektromos kéziszerszámokat külön kell gyűjteni, és környezetbarát módon újra kell hasznosítani.

Čeština

Jen pro státy EU

Elektrické nářadí nevyhazujte do komunálního odpadu!

Podle evropské směrnice 2002/96/EG o nakládání s použitými elektrickými a elektronickými zařízeními a odpovídajících ustanovení právních předpisů jednotlivých zemí se použitá elektrická nářadí musí sbírat odděleně od ostatního odpadu a podrobit ekologicky šetrnému recyklování.

Türkçe

Sadece AB ülkeleri için

Elektrikli el aletlerini evdeki çöp kutusuna atmayınız! Kullanılmış elektrikli aletleri, elektrik ve elektrikli eski cihazlar hakkındaki 2002/96/EC Avrupa yönergelerine göre ve bu yönergeler ulusal hukuk kurallarına göre uyarlanarak, ayrı olarak toplanmalı ve çevre şartlarına uygun bir şekilde tekrar değerlendirilmeye gönderilmelidir.

Русский

Только для стран ЕС

Не выкидывайте электроприборы вместе с обычным мусором!

В соответствии с европейской директивой 2002/96/EG об утилизации старых электрических и электронных приборов и в соответствии с местными законами электроприборы, бывшие в эксплуатации, должны утилизироваться отдельно безопасным для окружающей среды способом.

<p>English</p> <p>EC DECLARATION OF CONFORMITY</p> <p>We declare under our sole responsibility that this product is in conformity with standards or standardized documents EN60745, EN55014 and EN61000-3 in accordance with Council Directives 73/23/EEC, 89/336/EEC and 98/37/EC.</p> <p>This declaration is applicable to the product affixed CE marking.</p>	<p>Magyar</p> <p>EU MEGFELELŐSÉGI NYILATKOZAT</p> <p>Teljes felelősségünk tudatában kijelentjük, hogy ez a termék megfelel az EN60745, EN55014, és EN 61000-3 szabványoknak illetve szabványosított dokumentumoknak, az Európa Tanács 73/23/EEC, 89/336/EEC, és 98/37/EC Tanácsi Direktíváival összhangban.</p> <p>Jelen nyilatkozat a terméken feltüntetett CE jelzésre vonatkozik.</p>
<p>Deutsch</p> <p>ERKLÄRUNG ZUR KONFORMITÄT MIT CE-REGELN</p> <p>Wir erklären mit alleiniger Verantwortung, daß dieses Produkt den Standards oder standardisierten Dokumenten EN60745, EN55014 und EN61000-3 in Übereinstimmung mit den Direktiven des Europarats 73/23/EWG, 89/336/EWG und 98/37/CE entspricht.</p> <p>Diese Erklärung gilt für Produkte, die die CE-Markierung tragen.</p>	<p>Čeština</p> <p>PROHLÁŠENÍ O SHODĚ S CE</p> <p>Prohlašujeme na svoji zodpovědnost, že tento výrobek odpovídá normám EN60745, EN55014 a EN61000-3 v souladu se směrnicemi 73/23/EEC, 89/336/EEC a 98/37/EC.</p> <p>Toto prohlášení platí pro výrobek označený značkou CE.</p>
<p>Ελληνικά</p> <p>ΕΚ ΔΗΛ-ΣΗ ΕΝΑΡΜΟΝΙΣΜΟΥ</p> <p>Δηλώνουμε με απόλυτη υπευθυνότητα ότι αυτό το προϊόν είναι εναρμονισμένο με τα πρότυπα ή τα έγγραφα προτύπων EN60745, EN55014 και EN61000-3 σε συμφωνία με τις Οδηγίες του Συμβουλίου 73/23/ΕΟΚ, 89/336/ΕΟΚ και 98/37/ΕΚ.</p> <p>Αυτή η δήλωση ισχύει στο προϊόν με το σημάδι CE.</p>	<p>Türkçe</p> <p>AB UYGUNLUK BEYANI</p> <p>Bu ürünün, 73/23/EEC, 89/336/EEC ve 98/37/EC sayılı Konsey Direktiflerine uygun olarak, EN60745, EN55014 ve EN61000-3 sayılı standartlara ve standartlaştırılmış belgelere uygun olduğunu, tamamen kendi sorumluluğumuz altında beyan ederiz.</p> <p>Bu beyan, üzerinde CE işareti bulunan ürünler için geçerlidir.</p>
<p>Polski</p> <p>DEKLARACJA ZGODNOŚCI Z EC</p> <p>Oznajmiamy z całkowitą odpowiedzialnością, że produkt ten pozostaje w zgodzie ze standardami lub standardową formą dokumentów EN60745, EN55014 i EN61000-3 w zgodzie z Zasadami Rady 73/23/EEC 89/336/ EEC i 98/37/EC.</p> <p>To oświadczenie odnosi się do załączonego produktu z oznaczeniami CE.</p>	<p>Русский</p> <p>ДЕКЛАРАЦИЯ СООТВЕТСТВИЯ ЕС</p> <p>Мы с полной ответственностью заявляем, что данное изделие соответствует стандартам или стандартизованным документам EN60745, EN55014 и EN61000-3 согласно Директивам Совета 73/23/EEC, 89/336/EEC и 98/37/EC.</p> <p>Данная декларация относится к изделиям, на которых имеется маркировка CE.</p>
<div style="display: flex; justify-content: space-between; align-items: flex-start;"> <div style="width: 60%;"> <p>Representative office in Europe Hitachi Power Tools Europe GmbH Siemensring 34, 47877 Willich 1, F. R. Germany</p> <p>Head office in Japan Hitachi Koki Co., Ltd. Shinagawa Intercity Tower A, 15-1, Konan 2-chome, Minato-ku, Tokyo, Japan</p> </div> <div style="width: 35%; text-align: center;">  <p>31. 1. 2006</p>  <hr style="width: 80%; margin: 0 auto;"/> <p>K. Kato Board Director</p> </div> </div>	

 **Hitachi Koki Co., Ltd.**