

Operating manual

Laser level

Model: **2D BASIC LEVEL**



**ENG**

## Table of contents

1. Cautions . . . . .	3
2. Technical requirements . . . . .	3
2.1. Functional description . . . . .	3
2.2. Features . . . . .	4
2.3. Specifications . . . . .	5
3. Kit . . . . .	5
4. Safety requirements and care . . . . .	6
5. Order working . . . . .	6
5.1. Checking instrument before usage . . . . .	8
5.1.1. Checking accuracy . . . . .	8
5.1.2. Calibration of horizontal beam accuracy . . . . .	9
5.1.3. Calibration of vertical beam accuracy . . . . .	9
6. Application . . . . .	10
7. Safety precaution . . . . .	10
8. Warranty . . . . .	12
9. Exceptions from responsibility . . . . .	13
10. Appendix 1 - "Certificate of acceptance and sale" . . . . .	16

## 1. CAUTIONS

Cross line laser level - 2D BASIC LEVEL model - is an up-to-date functional and multi-prism device designed for indoor and outdoor performance. The device emits:  
 one horizontal laser line (beam scan angle of  $180^\circ$ )  
 one vertical laser line (beam scan angle of  $160^\circ$ );  
 down point laser.

Do not look at the laser beam!

Do not install the device on the eye level!

Before using the device, do read this operating manual!

## 2. TECHNICAL REQUIREMENTS

### 2.1. FUNCTIONAL DESCRIPTION

Emitting a horizontal and vertical laser line.

Quick self-leveling: when line accuracy is out of the range the laser line flashes and the warning sound is produced.

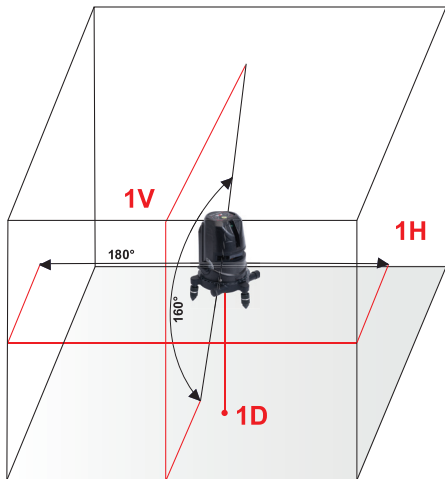
Low battery indication: the power LED flashes and warning sound is produced.

Rotation base with scale convenient for use (range  $1^\circ$ ).

Compensator locking system for safe transportation

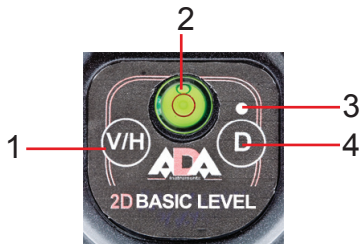
Indoor and outdoor performance function

Back-lighted bubble level



Pic.1

## 2.2. FEATURES



1. Laser beam power-on button
2. Back-lighted bubble level (V/H/VH)
3. Indoor/outdoor performance indicator
4. Indoor/outdoor performance power-on button
5. Battery compartment
6. Compensator locking grip (ON/X/OFF switch)
7. Adjusting screws
8. Base with scale
9. Horizontal laser window
10. Vertical laser window

### 2.3. SPECIFICATIONS

Laser	Horizontal/vertical laser lines (angle between lines is 90°)/down point
Light sources	3 laser diodes with laser emission wave length of 635 nm
Laser safety class	Class 2, <1mW
Accuracy	±1 5mm/5 meters
Self-leveling range	±3°
Operating range with/without receiver	40/20 m
Circular level response	60"/2 mm
Power source	3 alkaline batteries, AA type
Operation time	Approx. 15 hours, if everything is on
Tripod thread	5/8"
Operating temperature	-5°C +45°C
Weight	0.25kg

### 3. KIT

Laser level ADA 2D Basic Level, bag, operating manual, glasses, target plate, 3xAA batteries.

## 4. SAFETY REQUIREMENTS AND CARE

Follow safety requirements! Don't face and stare at laser beam!

Laser level- Is an accurate Instrument, which should be stored and used with care.

Avoid shaking and vibrations! Store the Instrument and It's accessories only In the carrying case.

In case of high humidity and low temperature, dry out the Instrument and clean It after the usage.

Do not store the Instrument at a temperature below  $-20^{\circ}\text{C}$  and above  $50^{\circ}\text{C}$ , otherwise the Instrument can be out of action.

Don't put the Instrument Into the carrying case If the Instrument or case are wet. To avoid moisture condensation Inside the Instrument- dry out the case and laser Instrument!

Check regularly Instrument adjustment!

Keep the lens clean and dry. To clean the Instrument use a soft cotton napkin!

## 5. ORDER WORKING

1. Before use, remove battery compartment cover. Insert three batteries into battery compartment with proper polarity, the put the cover back (Pic. 2).

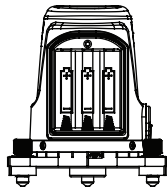
2. Set the compensator locking grip into ON position, two laser beams and back-lighted bubble level will be on.

If the switch is ON, that means the power and the compensation are opened.

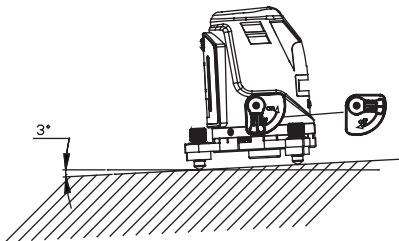
If the switch is X, that means the power is opened, the compensation is still locked, but we can still issue the lines and dot if you push the keypad, also it will not warn if you issue the slope. It's the hand-mode.

If the switch is OFF, that means shut off the power, the compensation is also locked.

3. Press V/H button - horizontal beam will turn on. Press the button V/H one more time - vertical laser beam will turn on. Again press the button V/H - horizontal and vertical beams will turn on.



Pic.2



Pic.3

4. Press the button of device mode “indoor/outdoor”, indicator will light. The device works in “outdoor” mode. Press the button one more time. The device will work in “indoor” mode.

5. During battery change, or when the device is on, control lamp may light or warning sound may be produced. This indicated for low battery charge. Please, change the batteries.

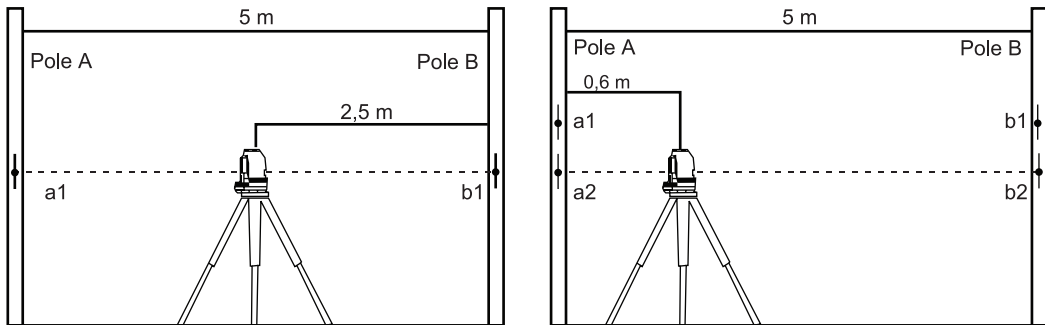
### IMPORTANT:

1. Set the locking grip in position ON: when the instrument is off, the compensator will be locked.
2. Install the device on surface: table, ground, etc.
3. The self-leveling function won't work if the surface is angled for more than +/-3 degrees. You have to adjust the screws and level the bubble at the center.
4. Put the instrument on surface and set locking button into ON position. Laser beam flashing and sound emission indicate that laser is out of self-leveling range. Adjust the screws to return the laser into self-leveling range.
5. Back-lighted bubble level will be on when the instrument is on.
6. Set the locking button in OFF position, keep the device in transportation case.
7. Cross line laser level may be fixed on the tripod with the help of fixing screw 5/8".
8. Before packing the instrument into transportation case, turn it off. Otherwise, sound will be produced, laser beam will blink and bubble level backlight will turn on.

## 5.1. CHECKING INSTRUMENT BEFORE USAGE

### 5.1.1. CHECKING ACCURACY

1. Set two range rods at distance of 5 m.
2. Set the tripod in the center between two rods and place cross line laser level at the tripod.
3. Turn the device on. Two laser beams will turn on. At the rod A, mark point that is indicated by laser cross a1. Turn the laser for 180 degrees. At the rod B mark the point indicated by laser cross b1.
4. Move the tripod in the way, to place the device at distance of 60 cm from rod A. Repeat operation and make marks a2 and b2. Measure distance between points a1 and a2 and between b1 and b2. Accuracy of your laser device is considered to be within acceptable limit if the difference between first and second measurements is not more than 1,5 mm.

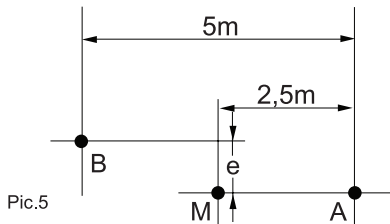


Pic.4



## 5.1.2. CALIBRATION OF HORIZONTAL BEAM ACCURACY

1. Set the laser device at distance of approximately 5m from the wall and mark point A indicated by laser cross.
2. Turn the laser level, move the beam approximately for 2.5m to the left and check the horizontal laser line to be within 2 mm at the same height that marked point indicated by the laser cross.
3. Turn the device and mark point B at distance of 5 m from point A.
4. Repeat the same actions moving the laser device to the right.



## 5.1.3. CALIBRATION OF VERTICAL BEAM ACCURACY

1. Set the laser device at distance of approximately 5m from the wall.
2. Mark point A at the wall.
3. Distance to point A will be 3m.
4. Fix the plumb at the wall 3m long.
5. Turn the plotter and direct vertical laser line to the plumb at the rope.
6. Accuracy of the line is considered sufficient if its deviation from vertical laser line is no more than 2mm.

## 6. APPLICATION

This cross line laser level generates visible laser beam allowing to make the following measurements:

Height measurement, calibration of horizontal and vertical planes, right angles, vertical position of installations, etc. The cross line laser level is used for indoor performance to set zero marks, for marking out of bracing, installation of tingles, panel guides, tiling, etc. Laser device is often used for marking out in the process of furniture, shelf or mirror installation, etc. Laser device may be used for outdoor performance at distance within its operation range.

## 7. SAFETY PRECAUTION

1. Caution label regarding laser class must be placed at the battery compartment cover.
2. Do not look at the laser beam.
3. Do not install the laser beam at the eye level
4. Do not try to disassemble the instrument. In the case of failure, the instrument will be repaired only in authorized facilities.
5. The instrument meets laser emission standard



## CARE AND CLEANING

Please handle measuring instrument with care. Clean with soft cloth only after any use. If necessary damp cloth with some water. If instrument is wet clean and dry it carefully. Pack it up only if it is perfectly dry. Transport in original container/case only.

Note: During transport On/Off compensator lock (3) must be set to position “OFF”. Disregard may lead to damage of compensator.

## SPECIFIC REASONS FOR ERRONEOUS MEASURING RESULTS

- Measurements through glass or plastic windows;
- Dirty laser emitting window;
- After instrument has been dropped or hit. Please check the accuracy.
- Large fluctuation of temperature: if instrument will be used in cold areas after it has been stored in warm areas (or the other way round) please wait some minutes before carrying out measurements.

## ELECTROMAGNETIC ACCEPTABILITY (EMC)

- It cannot be completely excluded that this instrument will disturb other instruments (e.g. navigation systems);
- will be disturbed by other instruments (e.g. intensive electromagnetic radiation nearby industrial facilities or radio transmitters).

## LASER CLASSIFICATION

The instrument is a laser class 2 laser product according to DIN IEC 60825-1:2007. It is allowed to use unit without further safety precautions.

## SAFETY INSTRUCTIONS

Please follow up instructions given in operators' manual.

Do not stare into beam. Laser beam can lead to eye injury (even from greater distances).

Do not aim laser beam at persons or animals.

The laser plane should be set up above eye level of persons.

Use the instrument for measuring jobs only.

Do not open instrument housing. Repairs should be carried out by authorized workshops only. Please contact your local dealer.

Do not remove warning labels or safety instructions.

Keep instrument away from children.

Do not use instrument in explosive environment.

## WARRANTY

This product is warranted by the manufacturer to the original purchaser to be free from defects in material and workmanship under normal use for a period of two (2) years from the date of purchase.

During the warranty period, and upon proof of purchase, the product will be repaired or replaced (with the same or similar model at manufacturer's option), without charge for either parts or labour.

In case of a defect please contact the dealer where you originally purchased this product. The warranty will not apply

to this product if it has been misused, abused or altered. Without limiting the foregoing, leakage of the battery, bending or dropping the unit are presumed to be defects resulting from misuse or abuse.

## **EXCEPTIONS FROM RESPONSIBILITY**

The user of this product is expected to follow the instructions given in operators' manual.

Although all instruments left our warehouse in perfect condition and adjustment the user is expected to carry out periodic checks of the product's accuracy and general performance.

The manufacturer, or its representatives, assumes no responsibility of results of a faulty or intentional usage or misuse including any direct, indirect, consequential damage, and loss of profits.

The manufacturer, or its representatives, assumes no responsibility for consequential damage, and loss of profits by any disaster (earthquake, storm, flood ...), fire, accident, or an act of a third party and/or a usage in other than usual conditions.

The manufacturer, or its representatives, assumes no responsibility for any damage, and loss of profits due to a change of data, loss of data and interruption of business etc., caused by using the product or an unusable product.

The manufacturer, or its representatives, assumes no responsibility for any damage, and loss of profits caused by usage other than explained in the users' manual.

The manufacturer, or its representatives, assumes no responsibility for damage caused by wrong movement or action due to connecting with other products.

## WARRANTY DOESN'T EXTEND TO FOLLOWING CASES:

1. If the standard or serial product number will be changed, erased, removed or will be unreadable.
2. Periodic maintenance, repair or changing parts as a result of their normal runout.
3. All adaptations and modifications with the purpose of improvement and expansion of normal sphere of product application, mentioned in the service instruction, without tentative written agreement of the expert provider.
4. Service by anyone other than an authorized service center.
5. Damage to products or parts caused by misuse, including, without limitation, misapplication or negligence of the terms of service instruction.
6. Power supply units, chargers, accessories, wearing parts.
7. Products, damaged from mishandling, faulty adjustment, maintenance with low-quality and non-standard materials, presence of any liquids and foreign objects inside the product.
8. Acts of God and/or actions of third persons.
9. In case of unwarranted repair till the end of warranty period because of damages during the operation of the product, it's transportation and storing, warranty doesn't resume.

## WARRANTY CARD

Name and model of the product \_\_\_\_\_

Serial number \_\_\_\_\_ date of sale \_\_\_\_\_

Name of commercial organization \_\_\_\_\_ stamp of commercial organization

Warranty period for the instrument exploitation is 24 months after the date of original retail purchase. It extends to the equipment, imported on the RF territory by official importer.

During this warranty period the owner of the product has the right for free repair of his instrument in case of manufacturing defects.

Warranty is valid only with original warranty card, fully and clear filled (stamp or mark of the seller is obligatory).

Technical examination of instruments for fault identification which is under the warranty, is made only in the authorized service center.

In no event shall manufacturer be liable before the client for direct or consequential damages, loss of profit or any other damage which occur in the result of the instrument outage.

The product is received in the state of operability, without any visible damages, in full completeness. It is tested in my presence. I have no complaints to the product quality. I am familiar with the conditions of warranty service and I agree.

purchaser signature \_\_\_\_\_

Before operating you should read service instruction!

---

If you have any questions about the warranty service and technical support contact seller of this product

## Certificate of acceptance and sale

---

---

\_\_\_\_\_ **No** \_\_\_\_\_

name and model of the instrument

Corresponds to \_\_\_\_\_

designation of standard and technical requirements

Data of issue \_\_\_\_\_

Stamp of quality control department

Price

Sold \_\_\_\_\_ Date of sale \_\_\_\_\_

name of commercial establishment



Руководство по эксплуатации

Лазерный нивелир  
Модель: **2D BASIC LEVEL**





## Оглавление

1. Общие указания . . . . .	19
2. Технические требования . . . . .	19
2.1. Функциональные характеристики прибора . . . . .	19
2.2. Описание прибора . . . . .	20
2.3. Технические характеристики . . . . .	21
3. Комплектность . . . . .	21
4. Требования безопасности и уход . . . . .	22
5. Порядок работы . . . . .	22
5.1. Проверка прибора перед применением . . . . .	24
5.1.1. Проверка точности . . . . .	24
5.1.2. Проверка точности горизонтального луча . . . . .	25
5.1.3. Проверка точности вертикального луча . . . . .	25
6. Применение . . . . .	26
7. Меры предосторожности . . . . .	26
8. Гарантия . . . . .	29
9. Освобождение от ответственности . . . . .	30
10. Приложение 1 - „Свидетельство о приемке и продаже” . . . . .	33

## 1. ОБЩИЕ УКАЗАНИЯ

Лазерный нивелир: модель - 2D BASIC LEVEL - это современный, функциональный, мультипризменный прибор, предназначенный для работ внутри помещений и на улице. Прибор проецирует:

- одну горизонтальную линию (угол развертки луча  $180^\circ$ )
- одну вертикальную линию (угол развертки луча  $160^\circ$ )
- точку отвеса

Не смотрите на лазерный луч! Не устанавливайте прибор на уровне глаз!

Перед началом работы, **ОБЯЗАТЕЛЬНО**, ознакомьтесь с руководством по эксплуатации!

## 2. ТЕХНИЧЕСКИЕ ТРЕБОВАНИЯ

### 2.1. ФУНКЦИОНАЛЬНЫЕ ХАРАКТЕРИСТИКИ ПРИБОРА

Прибор излучает вертикальную и горизонтальную линии, точку отвеса.

Удобное в использовании вращающееся основание со шкалой (интервал  $1^\circ$ ) и микрометрическим винтом.

Быстрое самовыравнивание: лазерный луч мигает и подается предупреждающий звуковой сигнал, когда прибор отклонен на угол, выходящий за диапазон выравнивания.

Индикатор низкого заряда батарей: контрольная лампочка загорается и подается предупреждающий звуковой сигнал.

Блокировка компенсатора для безопасной транспортировки.  
Промежуточная блокировка компенсатора для работы под наклоном.

Функция работы внутри помещения/ на улице.

Пузырьковый уровень с подсветкой.

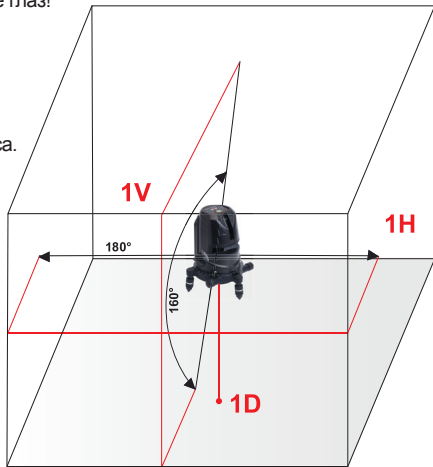
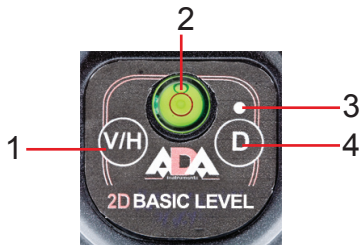


Рис.1

## 2.2. ОПИСАНИЕ ПРИБОРА



1. Кнопка включения лазерного луча
2. Круглый пузырьковый уровень с подсветкой (V/H/VH)
3. Индикатор работы внутри помещения/ на улице
4. Кнопка включения режима работы внутри помещения/ на улице
5. Батарейный отсек
6. Ручка блокировки компенсатора (ON/X/OFF)
7. Регулировочные винты
8. Основание со шкалой
9. Горизонтальное окно лазера
10. Вертикальное окно лазера

### 2.3. ТЕХНИЧЕСКИЕ ХАРАКТЕРИСТИКИ

Лазер	гор. линия/верт. линия (угол между линиями 90°) / отвес
Излучатели лазерного луча	3 лазерных диода с длиной волны лазерного излучения 635 нм
Класс лазерной безопасности	Класс 2, <1mW
Точность	±1,5 мм на расстоянии 5 м.
Диапазон самовыравнивания	±3°
Рабочий диапазон с/без приемника	40/20 м
Уровень чувст-ти круглого уровня	60"/2 мм
Источник питания	3 алкалиновые батарейки типа AA
Продолжительность работы	Приблизительно 15 ч, если все включено
Резьба под штатив	5/8"
Рабочая температура	-5°C +45°C
Вес	0,25 кг

### 3. КОМПЛЕКТНОСТЬ

Лазерный нивелир ADA 2D Basic Level, сумка, руководство по эксплуатации, очки, мишень, батарейки (3xAA).

## 4. ТРЕБОВАНИЯ БЕЗОПАСНОСТИ И УХОД

Выполняйте требования безопасного использования и ухода! Не смотрите на лазерный луч!

Лазерный нивелир - точный прибор, который должен храниться и использоваться с осторожностью.

Бережь от тряски и вибраций! Хранить прибор и аксессуары к нему только в транспортировочном кейсе.

При повышенной влажности и низкой температуре, необходимо протирать прибор насухо и чистить после использования.

Не храните прибор при температурах ниже  $-20^{\circ}\text{C}$  и выше  $50^{\circ}\text{C}$ , в противном случае прибор может выйти из строя.

Не убирайте прибор в транспортировочный кейс, если он или кейс мокрые, чтобы избежать конденсации влаги внутри прибора - просушите кейс и лазерный инструмент!

Регулярно проверяйте настройку прибора!

Следите за тем, чтобы линзы прибора были чистыми и не запотевшими. Для протирки используйте мягкие хлопковые салфетки!

## 5. ПОРЯДОК РАБОТЫ

**2D BASIC LEVEL - это надежный, удобный прибор. Этот нивелир станет незаменимым для вас на многие годы.**

1. Перед использованием снимите крышку батарейного отсека. Соблюдая полярность, вставьте три батарейки в батарейный отсек, затем вставьте крышку. (Рис.2)

2. Установите ручку блокировки компенсатора в положение ON, два лазерных луча и подсветка пузырькового уровня включатся.

Если ручка находится в положении ON - прибор включен и компенсатор работает.

Положение ручки X означает, что прибор включен, но компенсатор заблокирован, и при наклоне прибора предупреждения не последует.

Положение ручки OFF означает, что прибор выключен и компенсатор заблокирован.

3. Нажмите на кнопку V/H один раз — включится горизонтальный луч отвес. Нажмите на кнопку V/H еще раз - включится вертикальный лазерный луч. Нажмите кнопку V/H еще раз - включатся горизонтальный и вертикальный лазерные лучи.

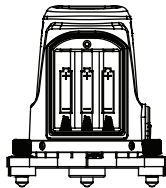
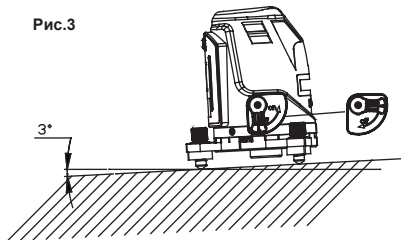


Рис.2

Рис.3



4. Нажмите один раз на кнопку включения режима работы „внутри помещения/ на улице”, загорится индикатор. Прибор находится в режиме „на улице”. Нажмите на кнопку еще раз. Прибор начнет работать в режиме „внутри помещения”.

5. При замене батареи или когда прибор находится в действии, может загореться контрольная лампочка или прозвучит звуковой сигнал. Это означает низкий заряд батарей. Пожалуйста вставьте новые батареи.

6. Для точного наведения вертикального луча вращайте микрометрический винт.

### ВАЖНО:

1. Установите ручку блокировки в положение ON: при выключении прибора компенсатор блокируется.
2. Поставьте прибор на поверхность: стол, земля и т.д.
3. Функция самовыравнивания не будет работать, если поверхность отклонена от горизонтали на  $\pm 3^\circ$ . Вы должны настроить регулировочные винты и выровнять пузырек по центру.
4. Поместите прибор на поверхность и переключите кнопку блокировки на ON. Мигание лазерного луча и подача звукового сигнала говорит о том, что лазер вышел за диапазон самовыравнивания. Выставьте регулировочные винты таким образом, чтобы лазер находился в диапазоне самовыравнивания.
5. Подсветка пузырькового уровня включается при включении прибора.
6. Установите кнопку блокировки в положение OFF, на время хранения поместите прибор в транспортировочный кейс.
7. Нивелир можно установить на штатив с помощью станкового винта 5/8”.
8. Перед тем, как поместить прибор в транспортировочный кейс, выключите его. В противном случае будет звучать звуковой сигнал, лазерный луч мигает и включится подсветка пузырькового уровня.

## 5.1. ПРОВЕРКА ПРИБОРА ПЕРЕД ПРИМЕНЕНИЕМ

### 5.1.1. ПРОВЕРКА ТОЧНОСТИ

1. Установите 2 вехи на расстоянии 5 м.
2. Поставьте штатив в центре между двумя вехами и поместите на штатив лазерный нивелир.
3. Включите прибор. Включатся два лазерных луча. Отметьте на вехе А точку, указанную лазерным крестом a1. Поверните лазерный инструмент на 180°. Отметьте на вехе В точку, указанную лазерным крестом b1.
4. Подвиньте штатив таким образом, чтобы прибор находился на расстоянии 60 см от вехи А. Сделайте повторные отметки a2 и b2. Измерьте расстояние между точками a1 и a2 и между b1 и b2. Точность вашего лазерного нивелира находится в допустимых пределах, если разница между первым и вторым замерами не превышает 1,5 мм.

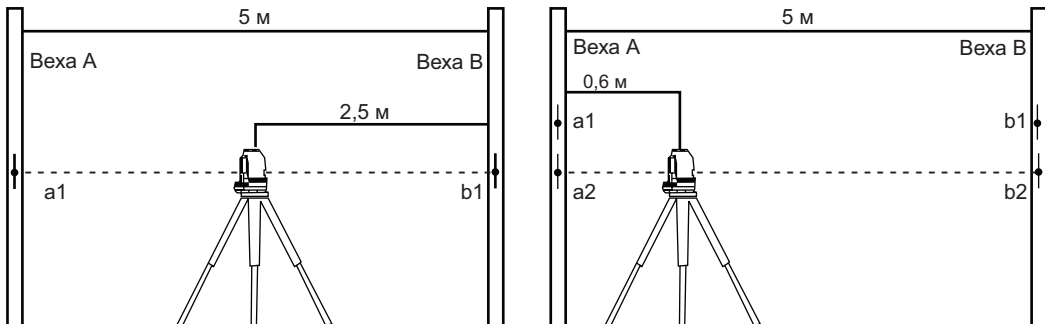
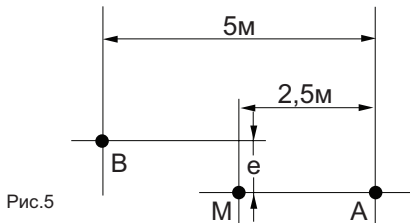


Рис.4



## 5.1.2. ПРОВЕРКА ТОЧНОСТИ ГОРИЗОНТАЛЬНОГО ЛУЧА

1. Установите лазерный инструмент на расстоянии приблизительно 5 м от стены и отметьте на ней точку А, указанную лазерным крестом.
2. Поверните лазерный нивелир, сместите луч приблизительно на 2.5 м влево и проверьте, чтобы горизонтальная линия находилась в пределах 2 мм на той же высоте, что и нанесенная отметка, указанная лазерным крестом.
3. Поверните прибор и отметьте точку В на расстоянии 5 м от точки А.
4. Повторите эти же действия, смещая лазерный инструмент вправо.



## 5.1.3. ПРОВЕРКА ТОЧНОСТИ ВЕРТИКАЛЬНОГО ЛУЧА

1. Установите лазерный инструмент на расстоянии приблизительно 5 м от стены.
2. Отметьте точку А на стене.
3. Расстояние от точки А до земли должно составлять 3м.
4. Укрепите на стене отвес со шнуром длиной 3м.
5. Включите построитель и направьте вертикальную линию на отвес со шнуром.
6. Точность линии находится в допустимых пределах, если отклонение вертикальной линии не превышает 1,5мм.

## 6. ПРИМЕНЕНИЕ

Данный лазерный нивелир генерирует видимый лазерный луч, позволяющий проводить следующие измерения: измерение высот, проверка горизонтальных и вертикальных плоскостей, прямых углов, вертикальности установок и т.д. Лазерный нивелир используют при работах внутри помещений для установки нулевых отметок, разметки стяжек, установки „маячков“, направляющих под различные панели, укладку плитки и т.п. Лазерный нивелир часто используется для разметки при установке мебели, полок, зеркал и пр. Лазерный инструмент также может быть использован при наружных работах на дистанциях, не превышающих его технические характеристики.

## 7. МЕРЫ ПРЕДОСТОРОЖНОСТИ

1. Предупредительная наклейка класса лазера находится на крышке батарейного отсека.
2. Избегайте прямого попадания лазерного луча в глаза.
3. Не устанавливайте лазерный луч на высоте глаз.
4. Не пытайтесь разобрать инструмент. В случае поломки, инструмент должен быть починен только в авторизованной мастерской.
5. Прибор соответствует Стандарту по лазерному излучению.



## УХОД ЗА УСТРОЙСТВОМ

- Пожалуйста, бережно обращайтесь с прибором
- После использования протирайте прибор мягкой тряпкой. При необходимости смочите тряпку водой.
- Если прибор влажный, осторожно вытрите его на сухо. Прибор можно убирать в кейс только сухим!
- При транспортировке убирайте прибор в кейсе.

Примечание: Во время транспортировки переключатель вкл./выкл./замок компенсатора (3) должен быть установлен в положение «Выкл.»- иначе при транспортировке настройки прибора могут быть «сбиты». Относитесь внимательно к аккуратной транспортировке прибора — это позволит выполнять качественно поставленные задачи в будущем и пользоваться построителем плоскостей долго и успешно.

## ВОЗМОЖНЫЕ ПРИЧИНЫ ОШИБОЧНЫХ РЕЗУЛЬТАТОВ ИЗМЕРЕНИЙ

- измерения проводятся через стеклянное или пластиковое окно;
- загрязнен лазерный излучатель;
- если прибор уронили или ударили. В этом случае проверьте точность. При необходимости обратитесь в авторизованный сервисный центр.
- сильные колебания температуры: если после хранения в тепле прибор используется при низкой температуре. В этом случае подождите несколько минут, перед тем как начать работать.

### **ЭЛЕКТРОМАГНИТНАЯ СОВМЕСТИМОСТЬ (ЕМС)**

- не исключено, что работа лазерного построителя плоскостей может повлиять на работу других устройств (например, системы навигации);
- на работу лазерного построителя плоскостей может повлиять работа других приборов (например, интенсивное электромагнитное излучение от промышленного оборудования или радиоприборов).

### **КЛАССИФИКАЦИЯ ЛАЗЕРА**

Данный прибор является лазером класса 2 в соответствии с DIN IEC 60825-1:2007, что позволяет использовать устройство выполняя меры предосторожности (см. ниже).

## **ИНСТРУКЦИЯ ПО БЕЗОПАСНОСТИ**

Пожалуйста, следуйте инструкциям, которые даны в руководстве пользователей.

Не смотрите на лазерный луч. Лазерный луч может повредить глаза, даже если вы смотрите на него с большого расстояния.

Не направляйте лазерный луч на людей или животных.

Лазер должен быть установлен выше уровня глаз.

Используйте прибор только для замеров.

Не вскрывайте прибор. Ремонт должен производиться только авторизованной мастерской. Пожалуйста, свяжитесь с вашим местным дилером. Не выкидывайте предупредительные этикетки или инструкции по безопасности.

Держите прибор в недоступном для детей месте.

Не используйте прибор вблизи взрывоопасных веществами.

## **ГАРАНТИЯ**

Производитель предоставляет гарантию на продукцию покупателю в случае дефектов материала или качества его изготовления во время использования оборудования с соблюдением инструкции пользователя на срок до 1 года со дня покупки.

Во время гарантийного срока, при предъявлении доказательства покупки, прибор будет починен или заменен на такую же или аналогичную модель бесплатно. Гарантийные обязательства также распространяются и на запасные части.

В случае дефекта, пожалуйста, свяжитесь с дилером, у которого вы приобрели прибор. Гарантия не распространяется на продукт, если повреждения возникли в результате деформации, неправильного использования или ненадлежащего обращения.

Все вышеизложенные безо всяких ограничений причины, а также утечка батареи, деформация прибора являются дефектами, которые возникли в результате неправильного использования или плохого обращения.

## ОСВОБОЖДЕНИЕ ОТ ОТВЕТСТВЕННОСТИ

Пользователю данного продукта необходимо следовать инструкциям, которые приведены в руководстве по эксплуатации. Даже, несмотря на то, что все приборы проверены производителем, пользователь должен проверять точность прибора и его работу.

Производитель или его представители не несут ответственности за прямые или косвенные убытки, упущенную выгоду или иной ущерб, возникший в результате неправильного обращения с прибором.

Производитель или его представители не несут ответственности за косвенные убытки, упущенную выгоду, возникшие в результате катастроф (землетрясение, шторм, наводнение и т.д.), пожара, несчастных случаев, действия третьих лиц и/или использование прибора в необычных условиях.

Производитель или его представители не несут ответственности за косвенные убытки, упущенную выгоду, возникшие в результате изменения данных, потери данных и временной приостановки бизнеса и т.д., вызванных применением прибора.

Производитель или его представители не несут ответственности за косвенные убытки, упущенную выгоду, возникшие в результате использования прибора не по инструкции.

## ГАРАНТИЙНЫЕ ОБЯЗАТЕЛЬСТВА НЕ РАСПРОСТРАНЯЮТСЯ НА СЛЕДУЮЩИЕ СЛУЧАИ:

1. Если будет изменен, стерт, удален или будет неразборчив типовой или серийный номер на изделии;
2. Периодическое обслуживание и ремонт или замену запчастей в связи с их нормальным износом;
3. Любые адаптации и изменения с целью усовершенствования и расширения обычной сферы применения изделия, указанной в инструкции по эксплуатации, без предварительного письменного соглашения специалиста поставщика;
4. Ремонт, произведенный не уполномоченным на то сервисным центром;
5. Ущерб в результате неправильной эксплуатации, включая, но не ограничиваясь этим, следующее: использование изделия не по назначению или не в соответствии с инструкцией по эксплуатации на прибор;
6. На элементы питания, зарядные устройства, комплектующие, быстроизнашивающиеся и запасные части;
7. Изделия, поврежденные в результате небрежного отношения, неправильной регулировки, ненадлежащего технического обслуживания с применением некачественных и нестандартных расходных материалов, попадания жидкостей и посторонних предметов внутрь.
8. Воздействие факторов непреодолимой силы и/или действие третьих лиц;
9. В случае негарантийного ремонта прибора до окончания гарантийного срока, произошедшего по причине полученных повреждений в ходе эксплуатации, транспортировки или хранения, и не возобновляется.

## ГАРАНТИЙНЫЙ ТАЛОН

Наименование изделия и модель \_\_\_\_\_

Серийный номер \_\_\_\_\_ Дата продажи \_\_\_\_\_

Наименование торговой организации \_\_\_\_\_ Штамп торговой организации мп.

Гарантийный срок эксплуатации приборов составляет 24 месяца со дня продажи и распространяется на оборудование, ввезенное на территорию РФ официальным импортером.

В течении гарантийного срока владелец имеет право на бесплатный ремонт изделия по неисправностям, являющимся следствием производственных дефектов.

Гарантийные обязательства действительны только по предъявлении оригинального талона, заполненного полностью и четко (наличие печати и штампа с наименованием и формой собственности продавца обязательно).

Техническое освидетельствование приборов (дефектация) на предмет установления гарантийного случая производится только в авторизованной мастерской.

Производитель не несет ответственности перед клиентом за прямые или косвенные убытки, упущенную выгоду или иной ущерб, возникшие в результате выхода из строя приобретенного оборудования.

Правовой основой настоящих гарантийных обязательств является действующее законодательство, в частности, Федеральный закон РФ "О защите прав потребителя" и Гражданский кодекс РФ ч.II ст. 454-491.

Товар получен в исправном состоянии, без видимых повреждений, в полной комплектности, проверен в моем присутствии, претензий по качеству товара не имею. С условиями гарантийного обслуживания ознакомлен и согласен.

Подпись получателя \_\_\_\_\_

Перед началом эксплуатации внимательно ознакомьтесь с инструкцией по эксплуатации!

---

По вопросам гарантийного обслуживания и технической поддержки обращаться к продавцу данного товара



## СВИДЕТЕЛЬСТВО О ПРИЕМКЕ И ПРОДАЖЕ

---

---

№ \_\_\_\_\_

НАИМЕНОВАНИЕ И ТИП ПРИБОРА

Соответствует \_\_\_\_\_

обозначение стандарта и технических условий

Дата выпуска \_\_\_\_\_

Штамп ОТК (клеймо приемщика)

Цена

Продан(а) \_\_\_\_\_ Дата продажи \_\_\_\_\_

**ADA  
MEASUREMENT FOUNDATION**

**[WWW.ADAINSTRUMENTS.COM](http://WWW.ADAINSTRUMENTS.COM)**