

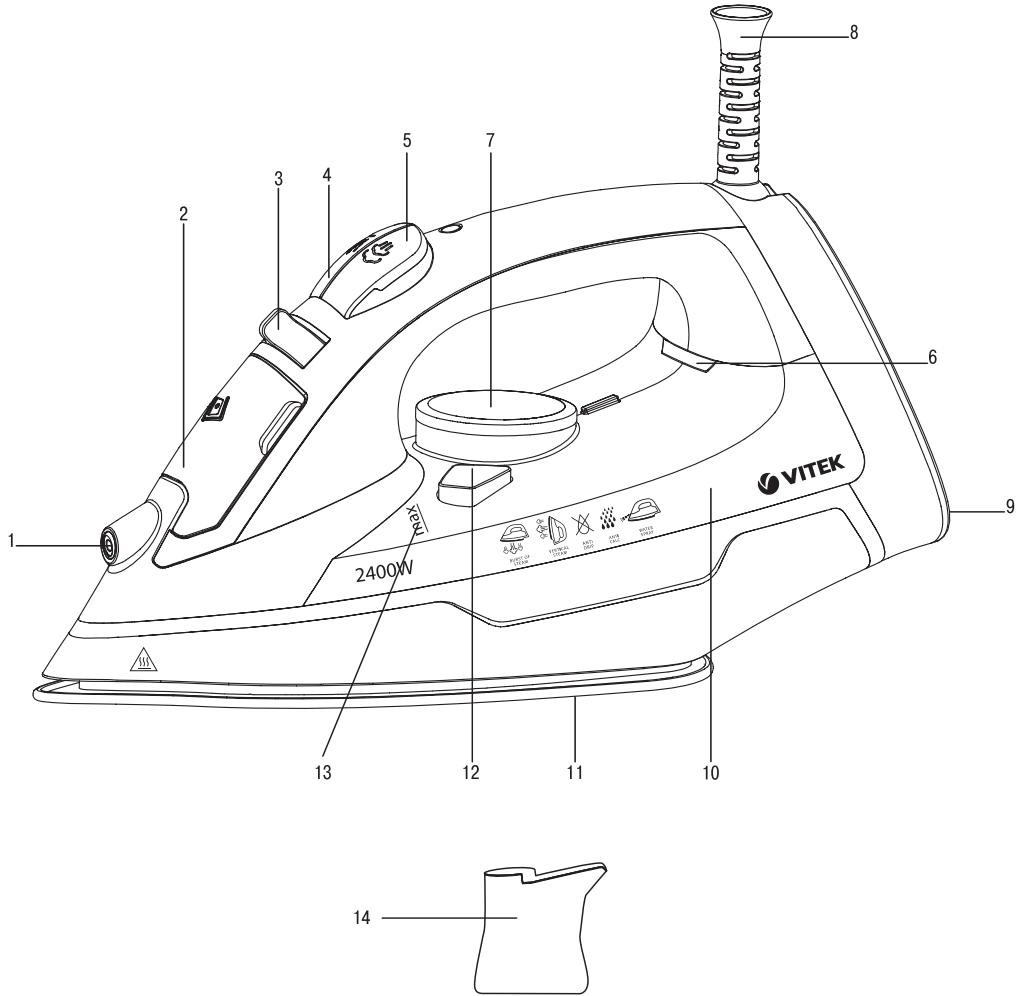
**VT-1258 B**

Iron

Утюг

# Инструкция по эксплуатации

<b>GB</b> Manual instruction	<b>3</b>
<b>DE</b> Die betriebsanweisung	<b>8</b>
<b>RUS</b> Инструкция по эксплуатации	<b>14</b>
<b>KZ</b> Пайдалану нұсқасы	<b>20</b>
<b>UA</b> Інструкція з експлуатації	<b>26</b>



**ATTENTION!**

- Do not use the iron after dropping it, in case of visible damages or leakage.
- Place the iron on a flat stable surface or use a stable ironing board.
- Do not use the iron if the power plug or the power cord is damaged or if there are other damages in the unit.
- Always take the power plug out of the mains socket before filling the water tank with water.
- The water inlet lid should be closed during ironing.
- Attention! The surfaces of the iron get hot during operation. To avoid burns, do not touch hot surfaces of the iron and do not expose open parts of your body to outgoing steam.
- Pour out water from the water tank only after unplugging the iron.
- Never leave the operating iron unattended.
- This unit is not intended for usage by children under 8 years of age. Place the unit out of reach of children under 8 years of age during the operation and cooling down.
- This unit is not intended for usage by people (including children over 8) with physical, neural and mental disorders or with insufficient experience or knowledge. Such persons may use this unit only if they are under supervision of a person who is responsible for their safety and if they are given all the necessary and understandable instructions concerning the safe usage of the unit and information about danger that can be caused by its improper usage.
- Water tank may contain water residue, this is normal, as the iron has undergone factory quality control.

# ENGLISH

## IRON VT-1258 B

The iron is intended for ironing clothes and bedding and for vertical steaming of fabrics.

### DESCRIPTION

1. Water spray nozzle
2. Water inlet lid
3. Continuous steam supply knob
4. Burst of steam button
5. Water spray button
6. Pilot lamp of the heating element
7. Temperature control knob
8. Power cord protection
9. Base of the iron
10. Water tank
11. Soleplate
12. "SELFCLEAN" self-clean button
13. "MAX" water level mark
14. Beaker

### SAFETY MEASURES


Before using the unit, read this instruction manual carefully and keep it for future reference.

Use the unit for intended purposes only, as specified in this manual. Mishandling the unit can lead to its breakage and cause harm to the user or damage to his/her property.

- Before switching the unit on, make sure that the voltage in your mains corresponds to the unit operating voltage.
- The power cord is equipped with a "europlug"; plug it into the socket with a reliable ground-  
ing contact.
- To avoid risk of fire or electric shock, do not use adapters for plugging the unit in.
- To avoid mains overloading, do not switch on several electrical appliances with high power consumption at a time.
- Do not fill the water tank with scented liquids, vinegar, starch solution, descaling reagents, chemicals etc.
- Do not let the power cord be on the ironing board and touch hot surfaces.
- Do not leave the unit unattended. During breaks in operation put the iron on the base (in vertical position).
- Before plugging/unplugging the iron, set the temperature control knob to the minimum position and switch the continuous steam supply off. Always unplug the iron when you are not using it.
- To unplug the unit, always pull its plug but not the power cord.

- To avoid electric shock, do not immerse the iron, the power cord and the plug into water or any other liquids.
- Before taking the iron away, let it cool down completely and pour out the remaining water.
- **Clean the unit regularly.**
- **Do not immerse the unit body, the power plug or the power cord into water or any other liquids.**
- **Do not touch the unit body and the power plug with wet hands.**
- Do not allow children to touch the unit body and the power cord during the unit operation.
- Do not leave children unattended to prevent using the unit as a toy.
- For children safety reasons, do not leave polyethylene bags used as packaging unattended.

**Attention!** Do not allow children to play with polyethylene bags or packaging film. **Danger of suffocation!**

- Do not attempt to repair the unit. Do not disassemble the unit by yourself, if any malfunction is detected or after it was dropped, unplug the unit and apply to any authorized service center from the contact address list given in the warranty certificate and on the website [www.vitek.ru](http://www.vitek.ru).
- Transport the unit in the original package only.
- Keep the iron out of reach of children and disabled persons.
- Do not touch the surface of the unit marked with the symbol  while ironing and after it. Danger of burns.

*THE UNIT IS INTENDED FOR HOUSEHOLD USAGE ONLY*

### BEFORE THE FIRST USE

**After unit transportation or storage under cold (winter) conditions, it is necessary to keep it for at least two hours at room temperature before switching on.**

- Unpack the iron, remove the protection from the iron soleplate (11), if any.
- Check the unit for damages, do not use the iron in case of damages.
- Before switching the unit on, make sure that your home mains voltage corresponds to the unit operating voltage.
- **There may be water residue in the tank, this is normal, as the iron has passed factory quality control.**

**Note: While the first switching on, the heating element of the iron burns, therefore occurrence of foreign smell and a small amount of smoke is possible, it is normal.**

## WATER SELECTION

Use tap water to fill the tank. If tap water is hard, it is recommended to mix it with distilled water in proportion 1:1, if tap water is too hard, mix it with distilled water in proportion 1:2 or use distilled water only.

## FILLING THE WATER TANK

Before filling the iron with water, make sure that the unit is unplugged.

- Set the temperature control knob (7) to the «MIN» position, and the continuous steam supply knob (3) to the position «0».
- Open the water inlet lid (2).
- Pour water into the water tank (10) using the beaker (14) and then close the lid (2).

### Notes:

- Do not exceed the "MAX" mark (13).

- If you need to refill water during ironing, then first switch the iron off and unplug the iron. After you finish ironing, switch the unit off, wait until it cools down completely, then open the water inlet lid (2), turn over the iron and drain the remaining water.

## IRONING TEMPERATURE

Before operation, test the heated iron on a piece of cloth to be sure that iron soleplate (11) and the water tank (10) are clean.

- Always check the recommended ironing temperature indicated on the tag before ironing.
- If there is no tag with recommended ironing temperature, but you know the type of fabric, refer to the following table to determine the proper temperature.

**Icons of the ironing temperature**      **Fabric type (temperature)**

•	Synthetics, nylon, acrylic, polyester (low temperature)
• •	Silk/wool (medium temperature)
• • • (MAX)	Cotton/linen (high temperature)

- This table is only valid for smooth materials. Fabrics of other types (crimped, raised etc.) are best ironed at low temperature.
- Sort items by ironing temperature first: synthetics to synthetics, wool to wool, cotton to cotton etc.
- The iron heats up faster than it cools down. For this reason it is recommended to begin ironing at low temperature (for instance, synthetic fabrics). After that, start ironing at higher temperature (silk/wool). Cotton and linen items should be ironed last.
- If an item is made of mixed fabrics, the iron should be set to the lowest ironing temperature (for instance, if an item is made of polyester and cotton, it should be ironed at temperature used for polyester ironing «•»).
- If you cannot define the fabric structure, find a spot that is inconspicuous when the item is being worn and select the ironing temperature experimentally (always start with the lowest temperature and raise it gradually until you get the desired result).
- Corduroy and other fabrics that become glossy quickly should be ironed strictly in one direction (in the direction of the pile) with slight pressure.
- To avoid appearance of glossy spots on synthetic and silk fabrics, iron them backside.

## DRY IRONING

- Place the iron on its base (9).
- Insert the power plug into the mains socket.
- Set the steam supply knob (3) to the position «0» (continuous steam supply is off).
- Set the desired ironing temperature depending on the type of fabric by turning the knob (7): «•», «••», «•••» or «MAX»; the pilot lamp (6) will light up.
- Once the soleplate (11) reaches the set temperature, the pilot lamp (6) will go out and you can start ironing.
- After you finish ironing, set the temperature control knob (7) to the «MIN» position.
- Pull the power plug out of the mains socket and let the iron cool down completely.

## STEAM IRONING

The iron is provided with an anti-drip valve that stops water supply if the soleplate temperature is too low, this prevents dripping from the soleplate (11) openings. During heating and cooling of the iron soleplate, you will hear characteristic clicks

# ENGLISH

of the anti-drip valve opening/closing, which indicates its normal operation.

Steam ironing is possible only if the temperature control knob (7) is set to the position «•••» or «**MAX**».

- Place the iron on its base (9).
- Insert the power plug into the mains socket.
- Make sure that there is enough water in the water tank (10).
- Set the control knob (7) to the required ironing temperature in the steam operation zone, the pilot lamp (6) will light up.
- Once the soleplate (11) reaches the set temperature value, the pilot lamp (6) will go out, you can start ironing.
- Set the necessary steam intensity with the continuous steam supply knob (3).
- In the continuous steam supply mode, steam will be released from the openings of the soleplate (11) only if the iron is in horizontal position. To stop the steam supply, put the iron vertically or set the knob (3) to the position «**0**» (steam supply is off).
- After you finish ironing, set the temperature control knob (7) to the «**MIN**» position, and the continuous steam supply knob (3) to the position «**0**» (steam supply is off).
- Pull the power plug out of the mains socket and let the iron cool down completely.

## ATTENTION!

If steam is not supplied constantly during the operation, check whether the steam supply knob (3) is set properly and whether there is water in the water tank (10).

## WATER SPRAY

- You can dampen the fabric by pressing the spray button (5) several times.
- Make sure that there is enough water in the water tank (10).

## BURST OF STEAM

The burst of steam function is useful for ironing folds and can only be used at high ironing temperatures (when the temperature control knob (7) is set to «**MAX**» position).

When the burst of steam button (4) is pressed, steam will go out of the soleplate (11) openings intensively.

**Notes:** To avoid water leakage from the steam openings, press the burst of steam button (4) with 4-5 sec. intervals.

To avoid dripping, do not hold the burst of steam button (4) longer than 5 seconds.

## VERTICAL STEAM

The vertical steam function can be used only at high ironing temperatures (when the temperature control knob (7) is set to the «**MAX**» position).

Hold the iron vertically at the distance of 10-30 cm from the clothes and press the burst of steam button (4) with 4-5 second intervals, steam will be released from the soleplate (11) intensively.

## Important information

Vertical steam is not recommended for synthetic fabrics.

- To avoid fabric melting, do not touch it with the iron's soleplate while steaming.
- Never steam clothes on a person as the steam temperature is very high, use a clothes hanger or a stand.
- After you finish ironing, switch the unit off, wait until it cools down completely, then open the water inlet lid (2), turn over the iron and drain the remaining water.

## STEAM CHAMBER CLEANING

To prolong service life of the iron, we recommend cleaning the steam chamber regularly, especially in the regions with hard tap water.

- Set the continuous steam supply knob (3) to the position «**0**» (continuous steam supply is off).
- Pour the water up to the maximal mark (13) and then close the lid (2) tight.
- Place the iron on its base (9).
- Insert the power plug into the mains socket.
- Set the control knob (7) to the maximum soleplate heating temperature «**MAX**», the pilot lamp (6) will light up.
- When the iron soleplate (11) reaches the set temperature, the pilot lamp (6) will go out and you can start cleaning the steam chamber.
- Unplug the unit.
- Hold the iron above the sink horizontally, press and hold down the "Selfclean" button (12)
- Boiling water with scale will be released from the iron soleplate (11) openings.
- Slightly sway the iron back and forth, until all the water leaves the water tank (10).

- Place the iron on the base (9) and let it cool down completely.
- When the soleplate (11) cools down completely, wipe it with a dry cloth.
- Before you take the iron away for storage, make sure that there is no water in the water tank (10) and that the iron soleplate (11) is completely dry.

## CLEANING AND CARE

- Before cleaning the iron, make sure that it is unplugged and has cooled down completely.
- Clean the iron body with a slightly damp cloth and then wipe it dry.
- Scale on the iron soleplate can be removed with a cloth soaked in vinegar-water solution.
- After removing scale, wipe the soleplate surface with a dry cloth.
- Do not use abrasive substances and solvents to clean the iron soleplate and body.
- Avoid contact of the iron soleplate with sharp metal objects.

## STORAGE

- Before you take the iron away for storage, clean it and drain all the remaining water from the water tank (10).
- Set the temperature control knob (7) to the «MIN» position, and the continuous steam supply knob (3) to the position «0» (continuous steam supply is off).

- Wind the power cord around the base (9).
- Store the iron vertically in a dry cool place out of reach of children.

## DELIVERY SET

Iron – 1 pc.  
Beaker – 1 pc.  
Instruction manual – 1 pc.

## TECHNICAL SPECIFICATIONS

Power supply: 220-240 V ~ 50 Hz  
Power consumption: 2400 W

*The manufacturer reserves the right to change the specifications of the unit without a preliminary notification.*

**Unit operating life is 3 years**

## Guarantee

Details regarding guarantee conditions can be obtained from the dealer from whom the appliance was purchased. The bill of sale or receipt must be produced when making any claim under the terms of this guarantee.



*This product conforms to the EMC-Requirements as laid down by the Council Directive 2004/108/EC and to the Low Voltage Regulation (2006/95/EC)*

## DEUTSCH

### ACHTUNG!

- Es ist nicht gestattet, das Bügeleisen bei seinem Sturz, sichtbaren Beschädigungen oder beim Wasserauslauf zu benutzen.
- Stellen Sie das Bügeleisen auf eine ebene standfeste Oberfläche auf oder benutzen Sie ein standsicheres Bügelbrett.
- Es ist nicht gestattet, das Gerät mit beschädigtem Netzkabel, Netzstecker oder bei anderen Störungen zu nutzen.
- Ziehen Sie den Netzstecker aus der Steckdose beim Auffüllen des Behälters mit Wasser unbedingt heraus.
- Der Deckel der Einfüllöffnung soll beim Bügeln geschlossen sein.
- Achtung! Die Oberflächen des Bügeleisens erhitzen sich während des Betriebs. Um Verbrennungen zu vermeiden, berühren Sie die heißen Oberflächen des Bügeleisens nicht und halten Sie offene Körperteile über dem austretenden Dampf nicht.
- Gießen Sie Wasser aus dem Behälter erst nach dem Abtrennen des Bügeleisens vom Stromnetz ab.
- Lassen Sie das ans Stromnetz angeschlossene Bügeleisen nie unbeaufsichtigt.
- Dieses Gerät ist nicht für den Gebrauch von Kindern unter 8 Jahren geeignet. Während des Betriebs und des Abkühlens stellen Sie das Gerät an einen für Kinder unter 8 Jahren unzugänglichen Ort auf.
- Dieses Gerät ist nicht für Personen (darunter auch Kinder über 8 Jahren) mit Körper-, Nerven- und Geistesstörungen oder ohne ausreichende Erfahrung oder Kenntnisse geeignet. Dieses Gerät darf von solchen Personen nur dann genutzt werden, wenn sie sich unter Aufsicht der Person befinden, die für ihre Sicherheit verantwortlich ist, und wenn ihnen entsprechende und verständliche Anweisungen über sichere Nutzung des Geräts und die Gefahren bei seiner falschen Nutzung gegeben wurden.
- Es können Wasserreste im Behälter vorhanden sein – es ist normal, weil das Bügeleisen durch betriebliche Qualitätskontrolle geprüft wurde.



## BÜGELEISEN VT-1258 B

Das Bügeleisen ist zum Bügeln von Kleidung, Bettzeug und zum senkrechten Dampfen von Stoffen bestimmt.

### BESCHREIBUNG

1. Wassersprüher
2. Deckel der Einfüllöffnung
3. Dampfreger
4. Dampfstoßtaste
5. Sprühtaste
6. Betriebskontrolleuchte des Heizelements
7. Temperaturregler
8. Netzkabelschutz
9. Bügeleisenfußplatte
10. Wasserbehälter
11. Bügeleisensohle
12. Selbstreinigungstaste «SELCLEAN»
13. «MAX»-Wasserstandsmarke
14. Meßbecher

### SICHERHEITSMABNAHMEN


Vor der ersten Inbetriebnahme des Elektrogeräts lesen Sie diese Bedienungsanleitung aufmerksam durch und bewahren Sie diese für weitere Referenz auf.

Benutzen Sie das Gerät nur bestimmungsmäßig und laut dieser Bedienungsanleitung. Nicht ordnungsgemäße Nutzung des Geräts kann zu seiner Störung führen und einen gesundheitlichen oder materiellen Schaden beim Nutzer hervorrufen.

- Vor dem Einschalten des Geräts vergewissern Sie sich, dass die Spannung des Geräts mit der Netzspannung übereinstimmt.
- Das Netzkabel ist mit einem „Eurostecker“ ausgestattet; stecken Sie diesen in die Steckdose mit sicherer Erdung ein.
- Verwenden Sie keine Adapterstecker beim Anschließen des Geräts an das Stromnetz, um das Brandrisiko zu vermeiden.
- Es ist nicht gestattet, mehrere Geräte mit hoher Aufnahmeleistung gleichzeitig einzuschalten, um Überlastung des Stromnetzes zu vermeiden.
- Es ist nicht gestattet, Aromafüssigkeiten, Essig, Stärkelösung, Entkalkungsmittel, Chemikalien usw. in den Wasserbehälter einzugießen.
- Achten Sie darauf, dass das Netzkabel auf dem Bügelbrett nicht liegt, sowie heiße Oberflächen nicht berührt.

- Lassen Sie das Gerät nie unbeaufsichtigt. Während der Betriebspausen stellen Sie das Bügeleisen auf die Fußplatte (in die senkrechte Position) auf.
  - Vor dem Abtrennen/Anschließen des Bügeleisens vom/ans Stromnetz stellen Sie den Temperaturregler in die minimale Position und schalten Sie die konstante Dampfzufuhr aus. Trennen Sie das Bügeleisen vom Stromnetz immer ab, wenn Sie es nicht benutzen.
  - Es ist nicht gestattet, das Netzkabel beim Abtrennen des Geräts vom Stromnetz zu ziehen. Halten Sie den Stecker.
  - Tauchen Sie das Bügeleisen, das Netzkabel und den Netzstecker nie ins Wasser oder andere Flüssigkeiten, um einen Stromschlag zu vermeiden.
  - Bevor das Bügeleisen zur Aufbewahrung wegzunehmen, lassen Sie es völlig abkühlen und gießen Sie Restwasser ab.
  - **Reinigen Sie das Gerät regelmäßig.**
  - **Tauchen Sie das Gerätegehäuse, das Netzkabel oder den Netzstecker ins Wasser oder jegliche andere Flüssigkeiten nicht ein.**
  - **Berühren Sie das Gerätegehäuse und den Netzstecker mit nassen Händen nicht.**
  - Lassen Sie Kinder das Gerätegehäuse und das Netzkabel während des Gerätebetriebs nicht berühren.
  - Beaufsichtigen Sie Kinder, damit sie das Gerät als Spielzeug nicht benutzen.
  - Aus Kindersicherheitsgründen lassen Sie die Plastiktüten, die als Verpackung verwendet werden, nie ohne Aufsicht.
- Achtung!** Lassen Sie Kinder mit Plastiktüten oder Verpackungsfolien nicht spielen.
- Erstickungsgefahr!**
- Es ist nicht gestattet, das Gerät selbständig zu reparieren. Es ist nicht gestattet, das Gerät selbständig auseinanderzunehmen, bei der Feststellung jeglicher Beschädigungen oder im Sturzfall trennen Sie das Gerät von der Steckdose ab und wenden Sie sich an einen autorisierten (bevollmächtigten) Kundendienst unter den Kontaktadressen, die im Garantieschein und auf der Website [www.vitek.ru](http://www.vitek.ru) angegeben sind.
  - Transportieren Sie das Gerät nur in der Fabrikverpackung.
  - Bewahren Sie das Bügeleisen an einem für Kinder und behinderte Personen unzugänglichen Ort auf.

# DEUTSCH

- Es ist nicht gestattet, die Oberfläche des Geräts, die mit dem Symbol  gekennzeichnet ist, während und nach dem Bügeln zu berühren. Verbrennungsgefahr.

*DAS GERÄT IST NUR FÜR DEN GEBRAUCH IM HAUSHALT GEEIGNET*

## VOR DER ERSTEN NUTZUNG

**Falls das Gerät unter kalten (winterlichen) Bedingungen transportiert oder aufbewahrt wurde, lassen Sie es bei der Raumtemperatur nicht weniger als zwei Stunden bleiben.**

Nehmen Sie das Bügeleisen aus der Verpackung heraus und entfernen Sie das Schutzmaterial von der Sohle (11).

- Prüfen Sie die Ganzheit des Geräts; wenn Störungen auftreten, benutzen Sie das Bügeleisen nicht.
- Vor dem Einschalten vergewissern Sie sich, dass die Spannung des Bügeleisens mit der Netzspannung übereinstimmt.
- **Es können Wasserreste im Behälter vorhanden sein – es ist normal, weil das Bügeleisen durch betriebliche Qualitätskontrolle geprüft wurde.**

**Anmerkung: Das Heizelement verbrennt beim ersten Einschalten des Bügeleisens, das kann zur Entstehung vom Fremdgeruch und einer kleinen Menge Rauch führen, es ist normal.**

## WAHL DES WASSERS

Sie können das Bügeleisen mit Leitungswasser füllen. Falls das Leitungswasser hart ist, mischen Sie es mit destilliertem Wasser in Verhältnis 1:1. Bei sehr hartem Wasser mischen Sie es mit destilliertem Wasser in Verhältnis 1:2 oder benutzen Sie nur destilliertes Wasser.

## AUFFÜLLUNG DES WASSERBEHÄLTERS

Vergewissern Sie sich vor dem Auffüllen des Wasserbehälters mit Wasser, dass das Gerät vom Stromnetz abgeschaltet ist.

- Stellen Sie den Temperaturregler (7) in die Position «MIN» und den Dampfreger (3) in die Position «0».
- Öffnen Sie den Deckel der Einfüllöffnung (2).
- Gießen Sie Wasser in den Wasserbehälter (10) ein, benutzen Sie dabei den Maßbecher (14), dann machen Sie den Deckel (2) zu.

## Anmerkungen:

- Es ist nicht gestattet, das Gerät mit Wasser über die «MAX»-Wasserstandsmarke (13) zu füllen.

- Wenn Sie während des Bügelns Wasser nachgießen müssen, schalten Sie das Bügeleisen zuerst aus und ziehen Sie den Netzstecker aus der Steckdose heraus. Schalten Sie das Bügeleisen nach dem Bügeln aus, lassen Sie es völlig abkühlen, danach öffnen Sie den Deckel der Einfüllöffnung (2), kippen Sie das Bügeleisen um und gießen Sie das Restwasser aus.

## BÜGELTEMPERATUR

Vor der Inbetriebnahme prüfen Sie das aufgeheizte Bügeleisen an einem Tuch, um sich zu vergewissern, dass die Bügeleisensohle (11) und der Wasserbehälter (10) sauber sind.

- Vor dem Bügeln beachten Sie die Aufschrift auf dem Etikett der Kleidung, wo die empfohlene Bügeltemperatur angegeben ist.
- Wenn das Etikett mit den Hinweisen zum Bügeln fehlt, Sie aber den Stofftyp kennen, dann können Sie die Temperaturangaben fürs Bügeln aus der folgenden Tabelle entnehmen:

## Bezeichnungen Stofftyp (Temperatur)

•	Synthesefaser, Nylon, Akryl, Polyester (niedrige Temperatur)
••	Seide/Wolle (mittlere Temperatur)
••• (MAX)	Baumwolle/Flachs (hohe Temperatur)

- Die Tabelle ist nur für das Bügeln von glatten Stoffen verwendbar. Andere Stofftype (gaufriert, geriffelt usw.) sollen am Besten bei niedriger Temperatur gebügelt werden.
- Zuerst sortieren Sie die Kleidungsstücke entsprechend der Bügeltemperatur aus: Synthesefaser zur Synthesefaser, Wolle zur Wolle, Baumwolle zur Baumwolle usw.
- Das Bügeleisen wird schneller aufgeheizt als abgekühlt. Aus diesem Grund ist es empfohlen, die Kleidung, die niedrige Bügeltemperatur erfordert (z.B. synthetische Stoffe), zuerst zu bügeln. Danach gehen Sie zum Bügeln bei höheren Temperaturen (Seide, Wolle) über. Kleidungsstücke aus Baumwolle und Flachs sollen zuletzt gebügelt werden.

- Wenn das Kleidungsstück aus Mischfasern besteht, soll die Bügeltemperatur auf die niedrigste Stufe eingestellt werden (z.B. wenn das Kleidungsstück aus Polyester und Baumwolle besteht, so soll es bei der Temperatur gebügelt werden, die für Polyester geeignet ist «••»).
- Wenn Sie den Stofftyp nicht feststellen können, finden Sie am Kleidungsstück eine beim Tragen unbemerkbare Stelle, und wählen Sie die Bügeltemperatur versuchsweise aus (fangen Sie immer mit der niedrigsten Bügeltemperatur an und erhöhen Sie diese, bis das gewünschte Ergebnis erreicht wird).
- Kordsamt und andere Stoffe, die sehr schnell zu glänzen beginnen, sollen unter leichtem Druck streng in einer Richtung (mit dem Strich) gebügelt werden.
- Um die Entstehung von Glanzflecken auf den synthetischen und seidenen Stoffen zu vermeiden, bügeln Sie diese von der Innenseite aus.

## TROCKENBÜGELN

- Stellen Sie das Bügeleisen auf die Fußplatte (9) auf.
- Stecken Sie den Netzstecker in die Steckdose ein.
- Stellen Sie den Dampfregler (3) in die Position «0» (konstante Dampfzufuhr ausgeschaltet) ein.
- Stellen Sie die Bügeltemperatur mittels des Reglers (7) abhängig vom Stofftyp ein: «••», «•••», «••••» oder «MAX», dabei leuchtet die Kontrollleuchte (6) auf.
- Wenn die Temperatur der Sohle (11) das vorgewählte Niveau erreicht und die Betriebskontrolleuchte (6) erlischt, können Sie zum Bügeln übergehen.
- Nach der Nutzung des Bügeleisens stellen Sie den Temperaturregler (7) in die Position «MIN» ein.
- Trennen Sie das Gerät vom Stromnetz ab und warten Sie ab, bis das Bügeleisen völlig abkühlt.

## DAMPFBÜGELN

Das Bügeleisen ist mit einem Tropfschutzventil ausgestattet, das die Wasserzufuhr bei einer zu niedrigen Bügeleisensohlentemperatur unterbricht; es verhindert das Tropfen aus den Öffnungen der Bügeleisensohle (11). Beim Erhitzen und Abkühlen der Sohle ertönen typische Knacke der Öffnung/Schließung des Tropfschutzventils, was auf seinen normalen Betrieb deutet.

Das Dampf bügeln ist nur dann möglich, wenn der Temperaturregler (7) in die Position «••••» oder «MAX» eingestellt ist.

- Stellen Sie das Bügeleisen auf die Fußplatte (9) auf.
- Stecken Sie den Netzstecker in die Steckdose ein.
- Vergewissern Sie sich, dass es genug Wasser im Wasserbehälter (10) gibt.
- Stellen Sie die gewünschte Bügeltemperatur im Bereich des Dampftriebs mit dem Regler (7) ein, dabei leuchtet die Kontrollleuchte (6) auf.
- Wenn die Bügeleisensohle (11) die eingestellte Temperatur erreicht und die Betriebskontrolleuchte (6) erlischt, können Sie zum Bügeln übergehen.
- Stellen Sie die notwendige Dampfintensität mittels des Dampfreglers (3) ein.
- Im Betrieb der konstanten Dampfzufuhr tritt der Dampf aus den Öffnungen der Sohle (11) nur in horizontaler Position des Bügeleisens aus. Um die Dampfzufuhr zu unterbrechen, stellen Sie das Bügeleisen in die senkrechte Position oder stellen Sie den Regler (3) in die Position «0» (Dampfzufuhr ausgeschaltet) um.
- Nach der Nutzung des Bügeleisens stellen Sie den Temperaturregler (7) in die Position «MIN» und den Dampfregler (3) in die Position «0» (Dampfzufuhr ausgeschaltet) ein.
- Trennen Sie das Gerät vom Stromnetz ab und warten Sie ab, bis das Bügeleisen völlig abkühlt.

## ACHTUNG!

Wenn die konstante Dampfzufuhr während des Gerätebetriebs nicht erfolgt, prüfen Sie die Stellung des Dampfreglers (3) und das Vorhandensein des Wassers im Wasserbehälter (10).

## WASSERSPRÜHER

- Sie können den Stoff anfeuchten, indem Sie auf die Sprühtaste (5) einige Male drücken.
- Vergewissern Sie sich, dass es genug Wasser im Wasserbehälter (10) gibt.

## DAMPFSTOß

Die Dampfstoß-Funktion ist fürs Falten glätten geeignet und kann nur bei der hohen Bügeltemperatur verwendet werden (in diesem Fall ist der Temperaturregler (7) in der Position «MAX»).

Beim Drücken der Dampfstoßtaste (4) tritt der Dampf aus den Öffnungen der Bügeleisensohle (11) intensiv aus.

# DEUTSCH

**Anmerkungen:** Um das Auslaufen des Wassers aus den Dampföffnungen zu vermeiden, drücken Sie die Dampfstoßtaste (4) mit einem Intervall von 4-5 Sekunden.

Um Tropfenbildung zu vermeiden, halten Sie die Dampfstoßtaste (4) nicht länger als 5 Sekunden gedrückt.

## SENKRECHTES DAMPFEN

Die Funktion des senkrechten Dampfens kann nur bei der hohen Bügeltemperatur verwendet werden (in diesem Fall ist der Temperaturregler (7) in der Position «MAX»).

Halten Sie das Bügeleisen senkrecht 10-30 cm von der Kleidung entfernt und drücken Sie die Dampfstoßtaste (4) mit dem Intervall von 4-5 Sekunden, der Dampf wird aus den Öffnungen der Bügeleisensohle (11) intensiv austreten.

## Wichtige Information

Es ist nicht empfohlen, senkrecht Dampf für synthetische Stoffe zu verwenden.

- Es ist nicht gestattet, mit der Bügeleisensohle den Stoff zu berühren, um dessen Aufschmelzung zu vermeiden.
- Es ist nicht gestattet, die an einem Menschen angezogene Kleidung abzdampfen, weil die Temperatur des austretenden Dampfes sehr hoch ist; benutzen Sie Kleiderbügel oder Aufhängebügel.
- Schalten Sie das Bügeleisen nach dem Bügeln aus, lassen Sie es völlig abkühlen, danach öffnen Sie den Deckel der Einfüllöffnung (2), kippen Sie das Bügeleisen um und gießen Sie das Restwasser aus.

## REINIGUNG DER DAMPFKAMMER

Für die Verlängerung der Nutzungsdauer des Bügeleisens ist es empfohlen, die Reinigung der Dampfkammer regelmäßig durchzuführen, besonders in den Regionen mit «hartem» Leitungswasser.

- Stellen Sie den Dampfregler (3) in die Position «0» ein (Dampfzufuhr ausgeschaltet).
- Gießen Sie Wasser bis zur maximalen Wasserstandsmarke (13) ein, danach schließen Sie den Deckel (2) dicht zu.
- Stellen Sie das Bügeleisen auf die Fußplatte (9) auf.
- Stecken Sie den Netzstecker in die Steckdose ein.
- Stellen Sie die maximale Sohlentemperatur «MAX» mit dem Regler (7), dabei wird die Kontrollleuchte (6) aufleuchten.

- Wenn die Temperatur der Sohle (11) das vorgewählte Niveau erreicht und die Betriebskontrollleuchte (6) erlischt, können Sie zur Reinigung der Dampfkammer übergehen.
- Ziehen Sie den Netzstecker aus der Steckdose heraus.
- Halten Sie das Bügeleisen in horizontaler Position über dem Waschbecken, drücken und halten Sie die «Selfclean»-Taste (12).
- Kochendes Wasser und Dampf werden zusammen mit dem Kalk aus den Öffnungen der Sohle (11) austreten.
- Schaukeln Sie das Bügeleisen etwas hin und her, bis das Wasser aus dem Wasserbehälter (10) völlig entfernt wird.
- Stellen Sie das Bügeleisen auf die Fußplatte (9) und lassen Sie es vollständig abkühlen.
- Nachdem die Bügeleisensohle (11) vollständig abgekühlt ist, wischen Sie diese mit einem trockenen Tuch ab.
- Bevor Sie das Bügeleisen zur Aufbewahrung wegpacken, vergewissern Sie sich, dass kein Wasser im Wasserbehälter (10) übrig geblieben ist und die Sohle (11) vollständig trocken ist.

## PFLEGE UND REINIGUNG

- Vergewissern Sie sich vor der Reinigung des Bügeleisens, dass es vom Stromnetz abgetrennt und abgekühlt ist.
- Wischen Sie das Gehäuse des Bügeleisens mit einem leicht angefeuchteten Tuch, danach trocknen Sie es ab.
- Kalkablagerung an der Sohle können Sie mit einem Stoff abwischen, der mit Wasser-Essiglösung angefeuchtet ist.
- Nach der Entfernung der Kalkablagerungen wischen Sie die Sohle des Bügeleisens mit einem trockenen Tuch ab.
- Es ist nicht gestattet, Abrasiv- und Lösungsmittel für die Reinigung der Sohle und des Gehäuses des Bügeleisens zu benutzen.
- Vermeiden Sie den Kontakt der Sohle mit scharfen Metallgegenständen.

## AUFBEWAHRUNG

- Bevor Sie das Bügeleisen zur Aufbewahrung wegpacken, reinigen Sie es und entfernen Sie Restwasser aus dem Behälter (10).
- Stellen Sie den Temperaturregler (7) in die Position «MIN» und den Dampfregler (3) in die Position «0» (Dampfzufuhr ausgeschaltet).
- Wickeln Sie das Netzkabel um die Fußplatte (9) auf.

- Bewahren Sie das Bügeleisen senkrecht an einem trockenen, kühlen und für Kinder unzugänglichen Ort auf.

## LIEFERUMFANG

Bügeleisen – 1 St.

Meßbecher – 1 St.

Bedienungsanleitung – 1 St.

## TECHNISCHE EIGENSCHAFTEN

Stromversorgung: 220-240 V ~ 50 Hz

Aufnahmeleistung: 2400 W

*Der Hersteller behält sich das Recht vor, Design und technische Eigenschaften des Geräts ohne Vorbenachrichtigung zu verändern*

**Nutzungsdauer des Geräts beträgt 3 Jahre**

## Gewährleistung

Ausführliche Bedingungen der Gewährleistung kann man beim Dealer, der diese Geräte verkauft hat, bekommen. Bei beliebiger Anspruchserhebung soll man während der Laufzeit der vorliegenden Gewährleistung den Check oder die Quittung über den Ankauf vorzulegen.

*Das vorliegende Produkt entspricht den Forderungen der elektromagnetischen Verträglichkeit, die in 2004/108/EC – Richtlinie des Rates und den Vorschriften 2006/95/EC über die Niederspannungsgeräte vorgesehen sind.*



### ВНИМАНИЕ!

- Не пользуйтесь утюгом после его падения, при наличии видимых повреждений или в случае протекания.
- Ставьте утюг на ровную, устойчивую поверхность или пользуйтесь устойчивой гладильной доской.
- Не используйте утюг при наличии повреждений сетевой вилки, сетевого шнура или любых других неисправностей.
- При наполнении резервуара водой обязательно вынимайте вилку сетевого шнура из электрической розетки.
- Крышка заливочного отверстия должна быть закрыта во время глажения.
- Внимание! Поверхности утюга нагреваются во время работы. Во избежание ожогов не прикасайтесь к горячим поверхностям утюга и не располагайте открытые участки тела над выходящим паром.
- Сливайте воду из резервуара только после отключения утюга от электрической сети.
- Не оставляйте подключённый к электросети утюг без присмотра.
- Данное устройство не предназначено для использования детьми младше 8 лет. Во время работы и остывания размещайте устройство в местах, недоступных для детей младше 8 лет.
- Данное устройство не предназначено для использования людьми (включая детей старше 8 лет) с физическими, нервными, психическими нарушениями или без достаточного опыта и знаний. Использование устройства такими лицами допускается лишь в том случае, если они находятся под присмотром лица, отвечающего за их безопасность, при условии, что им были даны соответствующие и понятные инструкции о безопасном пользовании устройством и тех опасностях, которые могут возникать при его неправильном использовании.
- В резервуаре могут находиться остатки воды – это нормальное явление, так как на производстве утюг проходил контроль качества.

## УТЮГ VT-1258 B

Утюг предназначен для глажения одежды, постельного белья и вертикального отпаривания тканей.

### ОПИСАНИЕ

1. Сопло разбрызгивателя воды
2. Крышка заливочного отверстия
3. Регулятор постоянной подачи пара
4. Кнопка дополнительной подачи пара
5. Кнопка разбрызгивателя воды
6. Индикатор включения/выключения нагревательного элемента
7. Регулятор температуры
8. Защита сетевого шнура
9. Основание утюга
10. Резервуар для воды
11. Подошва утюга
12. Кнопка режима самоочистки «SELF CLEAN»
13. Указатель максимального уровня воды
14. Мерный стаканчик

### МЕРЫ БЕЗОПАСНОСТИ

Перед началом эксплуатации электроприбора внимательно прочитайте настоящее руководство по эксплуатации и сохраните его для использования в качестве справочного материала.

Используйте устройство только по его прямому назначению, как изложено в данном руководстве. Неправильное обращение с устройством может привести к его поломке, причинению вреда пользователю или его имуществу.

- Перед включением убедитесь, что напряжение в сети соответствует рабочему напряжению утюга.
- Сетевой шнур снабжен «евровилкой»; включайте её в розетку, имеющую надёжный контакт заземления.
- Во избежание риска возникновения пожара не используйте переходники при подключении прибора к электрической розетке.
- Во избежание перегрузки электрической сети не включайте одновременно несколько устройств с большой потребляемой мощностью.
- Запрещается заливать в резервуар для воды ароматизирующие жидкости, уксус, раствор крахмала, реагенты для удаления накипи, химические вещества и т.д.
- Следите, чтобы сетевой шнур не находился на гладильной доске, а также не касался горячих поверхностей.

- Не оставляйте устройство без присмотра. В перерывах во время работы устанавливайте утюг на основание (в вертикальное положение).
- Перед отключением/подключением утюга к электрической сети установите регулятор температуры в минимальное положение и отключите подачу постоянного пара.
- Всегда отключайте утюг от сети, если вы им не пользуетесь.
- При отключении утюга от электрической сети всегда держитесь за сетевую вилку, никогда не тяните за сетевой шнур.
- Чтобы избежать поражения электрическим током, не погружайте утюг, сетевой шнур и вилку сетевого шнура в воду или в любые другие жидкости.
- Перед тем как убрать утюг, дайте ему полностью остыть и слейте остатки воды.
- **Регулярно проводите чистку устройства.**
- **Не погружайте корпус устройства, сетевого шнура или вилку сетевого шнура в воду или любые другие жидкости.**
- **Не прикасайтесь к корпусу устройства и вилке сетевого шнура мокрыми руками.**
- Не разрешайте детям касаться корпуса устройства и сетевого шнура во время работы.
- Осуществляйте надзор за детьми, чтобы не допустить использования устройства в качестве игрушки.
- Из соображений безопасности детей не оставляйте полиэтиленовые пакеты, используемые в качестве упаковки, без присмотра.


**Внимание!** Не разрешайте детям играть с полиэтиленовыми пакетами или пленкой.

### Опасность удущения!

- Запрещается самостоятельно ремонтировать прибор. Не разбирайте прибор самостоятельно, при возникновении любых неисправностей, а также после падения устройства выключите прибор из электрической розетки и обратитесь в любой авторизованный (уполномоченный) сервисный центр по контактным адресам, указанным в гарантийном талоне и на сайте [www.vitek.ru](http://www.vitek.ru).
- Перевозите устройство только в заводской упаковке.
- Храните устройство в месте, недоступном для детей и людей с ограниченными возможностями.



# РУССКИЙ

- Запрещается дотрагиваться до поверхности устройства, отмеченной символом , во время глажения и после него. Риск ожога.

## УСТРОЙСТВО ПРЕДНАЗНАЧЕНО ТОЛЬКО ДЛЯ БЫТОВОГО ИСПОЛЬЗОВАНИЯ ПЕРЕД ПЕРВЫМ СПОЛЬЗОВАНИЕМ

После транспортировки или хранения устройства в холодных (зимних) условиях необходимо выдержать его при комнатной температуре не менее двух часов.

- Извлеките утюг из упаковки, при наличии защиты на подошве (11) удалите защиту.
- Проверьте целостность устройства, при наличии повреждений не пользуйтесь утюгом.
- Перед включением убедитесь в том, что напряжение в электрической сети соответствует рабочему напряжению утюга.
- **В резервуаре могут находиться остатки воды – это нормальное явление, так как на производстве утюг проходил контроль качества.**

**Примечание:** При первом включении нагревательный элемент утюга обгорает, поэтому возможно появление постороннего запаха и небольшого количества дыма, это нормальное явление.

## ВЫБОР ВОДЫ

Для наполнения резервуара используйте водопроводную воду. Если водопроводная вода жёсткая, рекомендуется смешивать её с дистиллированной водой в соотношении 1:1, при очень жёсткой воде смешивайте её с дистиллированной водой в соотношении 1:2 или используйте только дистиллированную воду.

## НАПОЛНЕНИЕ РЕЗЕРВУАРА ДЛЯ ВОДЫ

Прежде чем залить воду в утюг убедитесь, что он отключен от сети.

- Установите регулятор температуры (7) в положение «MIN», а регулятор постоянной подачи пара (3) в положение «0».
- Откройте крышку заливочного отверстия (2).
- Используя мерный стаканчик (14), залейте воду в резервуар для воды (10), затем закройте крышку (2).

### Примечание:

- Не наливайте воду выше отметки «MAX» (13).  
- Если во время глажения необходимо долить воду, то отключите утюг и выньте сетевую вилку из розетки.

- После того как вы закончите гладить, выключите утюг, дождитесь его полного остывания, после чего откройте крышку заливочного отверстия (2), переверните утюг и слейте остатки воды.

## ТЕМПЕРАТУРА ГЛАЖЕНИЯ

Перед началом эксплуатации протестируйте нагретый утюг на кусочке ткани, чтобы убедиться в том, что подошва утюга (11) и резервуар для воды (10) чистые.

- Всегда перед глажением вещей смотрите на ярлык изделия, где указана рекомендуемая температура глажения.
- Если ярлык с указаниями по глажению отсутствует, но вы знаете тип материала, то для выбора температуры глажения смотрите таблицу.

### Обозначения Тип ткани (температура)

•	Синтетика, нейлон, акрил, полиэстер (низкая температура)
••	Шелк/шерсть (средняя температура)
••• (MAX)	Хлопок/лен (высокая температура)

- Таблица применима только для гладких материалов. Если материал другого типа (гофрированный, рельефный и т.д.), то лучше всего его гладить при низкой температуре.
- Сначала отсортируйте вещи по температуре глажения: синтетику к синтетике, шерсть к шерсти, хлопок к хлопку и т.д.
- Утюг нагревается быстрее, чем остывает. Поэтому сначала рекомендуется гладить вещи при низкой температуре (например, синтетические ткани). После чего переходите на глажение при более высоких температурах (шелк, шерсть). Изделия из хлопка и льна гладьте в последнюю очередь.
- Если в состав ткани входят смесовые волокна, то необходимо установить температуру глажения самую низкую (например, если изделие состоит из полиэстера и из хлопка, то его следует гладить при температуре, подходящей для полиэстера «•»).



- Если вы не можете определить состав ткани, то найдите на изделии место, которое не заметно при носке, и опытным путём выберите температуру глажения (всегда начинайте с самой низкой температуры и постепенно повышайте её, пока не добьётесь желаемого результата).
- Вельветовые и другие ткани, которые быстро начинают лосниться, следует гладить строго в одном направлении (в направлении ворса) с небольшим нажимом.
- Чтобы избежать появления лоснящихся пятен на синтетических и шелковых тканях, гладьте их с изнаночной стороны.
- Убедитесь в том, что в резервуаре (10) достаточно воды.
- Поворотом регулятора (7) установите требуемую температуру глажения в зоне работы с паром, при этом загорится индикатор (6).
- Когда подошва утюга (11) достигнет заданной температуры, индикатор (6) погаснет, теперь можно приступать к глажению.
- Регулятором постоянной подачи пара (3) установите необходимую интенсивность парообразования.
- В режиме постоянной подачи пар будет выходить из отверстий подошвы (11) только в горизонтальном положении утюга. Для прекращения подачи пара установите утюг в вертикальное положение или переведите регулятор (3) в положение «0» (подача пара выключена).

## СУХОЕ ГЛАЖЕНИЕ

- Поставьте утюг на основание (9).
- Вставьте вилку сетевого шнура в электрическую розетку.
- Регулятором подачи пара (3) установите в положение «0» (постоянная подача пара выключена).
- Поворотом регулятора (7) установите температуру глажения в зависимости от типа ткани: «•», «••», «•••» или «MAX»; при этом загорится индикатор (6).
- Когда подошва утюга (11) нагреется до установленной температуры, индикатор (6) погаснет, теперь можно приступать к глажению.
- После использования утюга установите регулятор температуры (7) в положение «MIN».
- Извлеките вилку сетевого шнура из электрической розетки и дождитесь полного остывания утюга.

## ПАРОВОЕ ГЛАЖЕНИЕ

Утюг снабжен противокapelным клапаном, который закрывает подачу воды при слишком низкой температуре подошвы утюга, это предотвращает появление капель из отверстий подошвы утюга (11). При нагревании и остывании подошвы утюга вы услышите характерные щелчки открывания/закрывания противокapelного клапана, что свидетельствует о его нормальной работе.

Паровое глажение возможно только при установке регулятора температуры (7) в положение «•••» или «MAX».

- Поставьте утюг на основание (9).
- Вставьте вилку сетевого шнура в электрическую розетку.

- После использования утюга установите регулятор температуры (7) в положение «MIN», а регулятор постоянной подачи пара (3) – в положение «0» (подача пара выключена).
- Извлеките вилку сетевого шнура из электрической розетки и дождитесь полного остывания утюга.

## ВНИМАНИЕ!

Если во время работы не происходит постоянной подачи пара, проверьте правильность положения регулятора подачи пара (3) и наличие воды в резервуаре (10).

## РАЗБРЫЗГИВАТЕЛЬ ВОДЫ

- Вы можете увлажнить ткань, нажав несколько раз на кнопку разбрызгивателя (5).
- Убедитесь в том, что в резервуаре (10) достаточно воды.

## ДОПОЛНИТЕЛЬНАЯ ПОДАЧА ПАРА

Функция дополнительной подачи пара полезна при разглаживании складок и может быть использована только при высокотемпературном режиме глажения (в этом случае регулятор температуры (7) находится в положении «MAX»).

При нажатии клавиши дополнительной подачи пара (4) из отверстий подошвы (11) будет интенсивно выходить пар.

**Примечания:** Во избежание вытекания воды из паровых отверстий нажимайте на клавишу

# РУССКИЙ

дополнительной подачи пара (4) с интервалом в 4-5 секунд.

Чтобы предотвратить появление капель, не удерживайте клавишу дополнительной подачи пара (4) более 5 секунд.

## ВЕРТИКАЛЬНОЕ ОТПАРИВАНИЕ

Функция вертикального отпаривания может быть использована только при высокотемпературном режиме глажения (в этом случае регулятор температуры (7) находится в положении «**MAX**»).

Держите утюг вертикально на расстоянии 10-30 см от одежды и нажимайте на клавишу дополнительной подачи пара (4) с интервалом в 4-5 секунд, пар будет интенсивно выходить из отверстий подошвы утюга (11).

## Важная информация

Не рекомендуется выполнять вертикальное отпаривание синтетических тканей.

- При отпаривании не прикасайтесь подошвой утюга к материалу, чтобы избежать его оплавления.
- Никогда не отпаривайте одежду, надетую на человека, т.к. температура выходящего пара очень высокая, пользуйтесь плечиками или вешалкой.
- Закончив гладить, выключите утюг, дождитесь его полного остывания, после чего откройте крышку заливочного отверстия (2), переверните утюг и слейте остатки воды.

## ОЧИСТКА ПАРОВОЙ КАМЕРЫ

Для увеличения срока службы утюга рекомендуется регулярно выполнять очистку паровой камеры, особенно в регионах с «жесткой» водопроводной водой.

- Установите регулятор постоянной подачи пара (3) в положение «**0**» (подача пара выключена).
- Залейте воду до максимальной отметки (13), затем плотно закройте крышку (2).
- Поставьте утюг на основание (9).
- Вставьте вилку сетевого шнура в розетку.
- Поворотом регулятора (7) установите максимальную температуру нагрева подошвы утюга «**MAX**», при этом загорится индикатор (6).
- Когда температура подошвы утюга (11) достигнет установленной температуры, а индикатор (6) погаснет, можно проводить очистку паровой камеры.

- Выньте вилку сетевого шнура из розетки.
- Расположите утюг горизонтально над раковиной, нажмите и удерживайте кнопку «Selfclean» (12).
- Кипящая вода и пар вместе с накипью будут выбрасываться из отверстий подошвы утюга (11).
- Слегка покачивайте утюг вперед назад, пока вся вода не выйдет из резервуара (10).
- Поставьте утюг на основание (9) и дайте ему полностью остыть.
- Когда подошва утюга (11) полностью остынет, протрите ее кусочком сухой ткани.
- Прежде чем убрать утюг на хранение, убедитесь, что в резервуаре (10) нет воды, а подошва утюга (11) сухая.

## УХОД И ЧИСТКА

- Прежде чем чистить утюг, убедитесь, что он отключён от электрической сети и уже остыл.
- Протрите корпус утюга слегка влажной тканью, после этого вытрите его насухо.
- Отложения на подошве утюга могут быть удалены тканью, смоченной в водно-уксусном растворе.
- После удаления отложений протрите поверхность подошвы сухой тканью.
- Не используйте для чистки подошвы и корпуса утюга абразивные чистящие средства и растворители.
- Избегайте контакта подошвы утюга с острыми металлическими предметами.

## ХРАНЕНИЕ

Прежде чем убрать утюг на хранение, проведите его чистку, удалите остатки воды из резервуара (10).

Установите регулятор температуры (7) в положение «**MIN**», а регулятор постоянной подачи пара (3) – в положение «**0**» (подача пара выключена).

Намотайте сетевой шнур вокруг основания (9). Храните утюг в вертикальном положении, в сухом прохладном месте, недоступном для детей.

## КОМПЛЕКТ ПОСТАВКИ

Утюг – 1 шт.

Мерный стаканчик – 1 шт.

Инструкция – 1 шт.

## ТЕХНИЧЕСКИЕ ХАРАКТЕРИСТИКИ

Электропитание: 220-240В ~50 Гц

Потребляемая мощность: 2400 Вт

*Производитель оставляет за собой право изменять характеристики устройства без предварительного уведомления*

**Срок службы устройства – 3 года**



*Данное изделие соответствует всем требуемым европейским и российским стандартам безопасности и гигиены.*

**Изготовитель:** АНДЕР ПРОДАКТС ГмбХ,  
Австрия

**Адрес:** Нойбаугюртель 38/7А, 1070 Вена,  
Австрия

**Информация для связи** – email:  
anderproduct@gmail.com

Информация об Импортере указана на индивидуальной упаковке.

Информация об авторизованных (уполномоченных) сервисных центрах указана в гарантийном талоне и на сайте [www.vitek.ru](http://www.vitek.ru)

Единая справочная служба: +7 (495) 921-01-70

Сделано в Китае

## ҚАЗАҚША

### НАЗАР АУДАРЫҢЫЗ!

- Үтік құлағаннан кейін, көзге көрінетін бүлінулері болған жағдайда немесе суы ағып тұрған кезде оны пайдаланбаңыз.
- Үтікті тегіс, орнықты бетке қойыңыз немесе орнықты үтіктеу тақтасын қолданыңыз.
- Желілік ашаның, желілік шнурдың бүлінулері немесе кез келген басқа ақаулықтар болған кезде үтікті пайдаланбаңыз.
- Сауытты суға толтырған кезде, әрқашан айырететікті ашалықтан ажыратыңыз.
- Суды толтыруға арналған саңылаудың қақпағы үтіктеу уақытында жабық болуы керек.
- Назар аударыңыз! Үтіктің беті жұмыс кезінде қызады. Күйіп қалмас үшін үтіктің ыстық беттеріне қол тигізбеңіз және дененің ашық жерлерін шығатын будың үстіне ұстамаңыз.
- Үтікті электр желісінен ажыратқаннан кейін ғана резервуардағы суды төгіңіз.
- Электр желісіне қосулы тұрған үтікті қараусыз қалдырмаңыз.
- Бұл құрылғы 8 жастан төменгі балалардың пайдалануына арналмаған. Құрылғы әзірлейтін ыдыс жұмыс істеген кезде және суыту кезінде 8 жастан кіші балалар жете алмайтын жерде тұруы тиіс.
- Бұл прибор жеке мүмкіншілігі шектеулі, жүйке, психикасы ауыратын немесе білімі жеткіліксіз адамдарға (8 жастан жоғары балаларды қоса алғанда) пайдалануға арналмаған. Бұл адамдар тек өздерінің қауіпсіздіктері үшін жауап беретін тұлғаның қадағалауымен болса, сондай-ақ өздеріне құрылғыны қауіпсіз пайдалану және дұрыс пайдаланбаған жағдайда орын алуы мүмкін қауіпті жағдайлар туралы тиісті және түсінікті нұсқаулар берілген болса осы приборды пайдалана алады.
- Резервуарда судың қалдығы болуы мүмкін – бұл қалыпты құбылыс, себебі өндірісте үтік сапа бақылауынан өткен болатын.

## ҮТІК VT-1258 B

Үтік киімді, төсек жасауларын үтіктеу үшін, сонымен қатар маталарды тік ылғалдау үшін арналған.

### СИПАТТАМАСЫ

1. Су шашыратқыш шүмегі
2. Су құятын саңылаудың қақпағы
3. Үнемі бу жіберу реттегіші
4. Қосымша бу беру түймесі
5. Су бүріккіштің түймесі
6. Қыздырғыш элементті қосу/сөндіру көрсеткіші
7. Температураны реттегіш
8. Желілік сымды қорғау
9. Үтіктің түбі
10. Суға арналған сауыт
11. Үтіктің табаны
12. «SELF CLEAN» өздігімен тазалану режимінің батырмасы
13. Судың максималды деңгейінің көрсеткіші
14. Өлшеуіш стақан

### ҚАУІПСІЗДІК ШАРАЛАРЫ


Электр аспабын пайдалануды бастамас бұрын пайдалану жөніндегі осы нұсқаулықты мұқият оқып шығыңыз және оны анықтама материалы ретінде қолдану үшін сақтап қойыңыз.

Құрылғыны осы нұсқаулықта баяндалғандай тікелей мақсаты бойынша ғана пайдаланыңыз. Құрылғыны дұрыс пайдаланбау оның бұзылуына, тұтынушыға немесе оның мүлгіне зиян келтіруіне әкелуі мүмкін.

- Қосу алдында, желідегі кернеу үтіктің жұмыс кернеуіне сәйкес келуіне көз жеткізіңіз.
- Желілік шнур «евроашамен» жабдықталған; оны жерге сенімді қосылған байланысы бар электр розеткасына қосыңыз.
- Өрттің пайда болу тәуекеліне жол бермеу үшін аспапты электр розеткасына қосу кезінде өткізгіштерді қолданбаңыз.
- Электр желісіндегі жүк шамадан асып кетпеуі үшін көп қуатты тұтынатын бірнеше құрылғыны үтікпен бір мезгілде қоспаңыз.
- Суға арналған резервуарға хош иістендіргіш сұйықтықтарды, сірке суы қышқылын, крахмал ерітіндісін, қақтарды жоюға арналған реагенттерді, химиялық заттарды және т.б. құюға тыйым салынады.

- Желілік баудың үтіктеу тақтасында тұрмауын және ыстық беттерге жанаспауын қадағалаңыз.
  - Құрылғыны қараусыз қалдырмаңыз. Жұмыс уақытындағы үзілістер уақытында үтікті (тік күйінде) негізіне орнатыңыз.
  - Үтікті электр желісіне қосу/ажырату алдында температура реттегішін минималды күйге орнатып алыңыз және тұрақты бу жіберуді ажыратыңыз. Үтікті пайдаланбайтын жағдайда міндетті түрде желісінен ажыратып қойыңыз.
  - Үтікті электр желісінен ажыратқан кезде үнемі желілік ашадан ұстаңыз, ешқашан желілік шнурдан тартпаңыз.
  - Электр тоғының соғу қаупін болдырмас үшін үтікті, желілік шнурды немесе желілік шнур ашасын суға немесе басқа да сұйықтыққа батырмаңыз.
  - Үтікті жинап қоюға дейін судың қалдығын төгіңіз және оған толық салқындауға уақыт беріңіз.
  - **Аспапты уақытында тазалап тұрыңыз.**
  - **Құрылғының корпусын, желілік шнурды немесе желілік шнур ашасын суға немесе кез келген басқа сұйықтықтарға батырмаңыз.**
  - **Құрылғы корпусын, желілік сымды және желілік сым айырын су қолмен ұстауға тыйым салынады.**
  - Жұмыс жасап тұрғанда балалардың құрылғы корпусына және желілік шнурға қол тигізуіне рұқсат бермеңіз.
  - Балалардың құрылғыны ойыншық ретінде пайдалануына жол бермес үшін, оларды қадағалап отырыңыз.
  - Балалардың қауіпсіздігін қамтамасыз ету мақсатында қаптама ретінде пайдаланылатын полиэтилен қапшықтарды қараусыз қалдырмаңыз.
- Назар аударыңыз! Балаларға полиэтилен пакеттермен немесе қаптама үлдірмен ойнауға рұқсат бермеңіз. Тұншығу қаупі!**
- Аспапты өз бетімен жөндеуге тыйым салынады. Өздігіңізден құрылғыны бөлшектемеңіз, кез келген ақау шыққан жағдайда, сондай-ақ құрылғы құлаған жағдайда құрылғыны розеткадан алып тастаңыз да, байланысу мекенжайлары бойынша келіпдеме талонында көрсетілген кез келген авторланған (уәкілетті) сервистік орталыққа, және [www.vitek.ru](http://www.vitek.ru) сайтына жүгініңіз.

# ҚАЗАҚША

- Құрылғыны тек зауыттық қаптамасында тасымалдаңыз.
- Құрылғыны балалар және мүмкіндігі шектеулі адамдардың қолы жетпейтін жерде сақтаңыз.
- Үтіктеу кезінде және үтіктеп болғаннан кейін құрылғының  символымен белгіленген бетіне қол тигізуге тыйым салынады. Күйіп қалу қаупі бар.

## ҚҰРЫЛҒЫ ТЕК ТҰРМЫСТЫҚ ЖАҒДАЙДА ПАЙДАЛАНУҒА АРНАЛҒАН

### АЛҒАШҚЫ ПАЙДАЛАНУ АЛДЫНДА Құрылғыны суық (қысқы) жағдайда тасымалдау немесе сақтаудан кейін оны бөлме температурасында екі сағаттан кем уақыт ұстау қажет.

- Үтіккі қораптан шығарып алыңыз, табанында қорғаныш қабаты (11) болса, онда оны алып тастаңыз.
- Құрылғының бүтіндігін тексеріңіз, бүлінген жерлері болған кезде үтіккі пайдаланбаңыз.
- Қоспай тұрып, электр желісінің кернеуі құрылғының жұмыс кернеуіне сай келетінін тексеріп алыңыз.
- Резервуарда судың қалдығы болуы мүмкін – бұл қалыпты құбылыс, себебі өндірісте үтік сапа бақылауынан өткен болатын.

**Ескерту:** Алғашқы қосқан кезде үтіккінің қыздырғыш элементі күйеді, сондықтан аздаған түтіннің және бөтен иістің пайда болуы қалыпты жағдай болып табылады.

### СУДЫ ТАҢДАУ

Резервуарды толтыру үшін су құбыры суын қолданыңыз. Егер суқұбырындағы су кермек болса, онда оны тазартылған сумен 1:1 арақатынасы бойынша араластырыңыз, су өте кермек болған кезде оны тазартылған сумен 1:2 арақатынасы бойынша араластырыңыз немесе тек тазартылған суды пайдаланыңыз.

### СУҒА АРНАЛҒАН РЕЗЕРВУАРДЫ ТОЛТЫРУ

Суды үтікке құю алдында, оның желіден ажыратылғанына көз жеткізіңіз.

- Температура реттегішін (7) «MIN» күйіне, ал тұрақты бу беру реттегішін (3) «0» күйіне орнатыңыз.

- Су құю саңылауының қақпағын (2) ашыңыз.
- Өлшеуіш стаканды (14) пайдаланып, су резервуарға (10) су құйыңыз, одан кейін қақпақты (2) жабыңыз.

### Ескерту:

- Суды «MAX» (13) белгісінен асырып құймаңыз.

- Егер үтіктеу кезінде үстінен қосымша су құю керек болса, онда алдымен үтіккі сөндіріп, желілік ашаны электр розеткасынан суырыңыз. Сіз үтіктеп болғаннан кейін, үтіккі сөндіріңіз, оның толық суығанын күтіңіз, осыдан кейін су құю саңылауының қақпағын (2) ашыңыз да, үтіккі төңкеріп қалған суды төгіп тастаңыз.

### ҮТІКТЕУ ТЕМПЕРАТУРАСЫ

Қолдану алдында, үтіккінің табаны (11) және суға арналған сауыт (10) таза екеніне көз жеткізу үшін қызған үтіккі матаның кішкентай бөлігінде тексеріңіз.

- Үнемі киімдерді үтіктемес бұрын, бұйымның үтіктеу температурасы көрсетілген тілшелерге қараңыз.
- Егер үтіктеу бойынша нұсқаулары бар тілше жоқ болса, бірақ сіз материалдың түрін ажырата алсаңыз, онда температураны таңдау үшін кестеге қараңыз.

### Белгілеулер Матаның түрі (температура)

•	Синтетика, нейлон, акрил, полиэстер (төменгі температура)
••	Жібек/жүн (орташа температура)
••• (MAX)	Мақта / зығыр (жоғары температура)

- Бұл кесте тек тегіс материалдарға арналған. Егер материал басқа түрлі болса (гофрирленген, кеді—бұдырлы және т.б.), онда оны төменгі температурада үтіктеген жөн.
- Алдымен киімдерді үтіктеу температурасы бойынша сұрыптап алыңыз: синтетиканы-синтетикаға, жүнді – жүнге, мақтаны – мақтаға және т.б.
- Үтіккінің қызуы, оның сууына қарағанда тез. Сондықтан алдымен, төменгі температурадағы киімдерді үтіктеп

алған жөн (мысалы, синтетикалық маталар). Содан кейін анағұрлым жоғары температура кезіндегі үтіктеуге көшіңіз (жібек, жүн). Мақта мен зығыр бұйымдарын соңғы кезекте үтіктеген жөн.

- Егер матаның құрамына аралас талшықтар енсе, онда ең төмен температураны белгілеу қажет (мысалы, егер бұйым мақта мен полиэстерден құралса, онда оны полиэстерге сәйкес температурада үтіктеу қажет «\*»).
- Егер сіз матаның құрамын анықтай алмасаңыз, онда киімнің киген кезде көзге түсе қоймайтын жерін тауып алыңыз да, тәжірибелік жолмен үтіктеу температурасын таңдаңыз (үнемі ең төменгі температурадан бастаңыз да, қалаған нәтижеге қол жеткізбейінше оны көбейте беріңіз.)
- Вельветті және басқа да тез түгі түсетін маталарды қатаң түрде бір бағытта ғана (түктің ығына қарай) сәл батыңқырап үтіктеу керек.
- Синтетикалық және жібек маталарда түгі түскен дақтардың пайда болуын болдырмас үшін оларды астары жағынан үтіктеген жөн.

## ҚҰРҒАҚТАЙ ҮТІКТЕУ

- Үтікті түбіне (9) қойыңыз.
- Желілік шнурдың ашасын электр розеткасына сұғыңыз.
- Бу жіберу реттегішін (3) «0» күйіне орнатыңыз (бу жіберу сөндірулі).
- Реттегішті (7) бұрып, мата түріне байланысты үтіктеу температурасын белгілеңіз: «\*», «\*\*», «\*\*\*» немесе «MAX», сонда индикатор (6) жанады.
- Табанның (11) температурасы белгіленген температураға дейін қызған кезде көрсеткіш (6) сөніп қалады, осыдан кейін үтіктеуге кірісе беруге болады.
- Үтікті пайдаланып болғаннан кейін температура реттегішін (7) «MIN» күйіне орнатыңыз.
- Желілік шнурдың ашасын электр розеткасынан суырыңыз да, оның толық сууын күтіңіз.

## БУМЕН ҮТІКТЕУ

Үтік табанының температурасы өте төмен болған кезде, су жіберуді жауып

қалатын, тамшыға қарсы құлақшасымен жабдықталған, бұл үтіктің табанындағы (11) саңылаудан тамшылардың пайда болуын тоқтатады. Үтік табаны не қызған кезде, не суыған кезде тамшыға қарсы құлақшаның ашылуына/жабылуына тән дыбыстар естіледі, бұл оның дұрыс жұмыс істеп тұрғандығын білдіреді.

Бумен үтіктеу тек температура реттегіші (7) «\*\*\*» немесе «MAX» күйіне орнатылған кезде ғана мүмкін болады.

- Үтікті түбіне (9) қойыңыз.
- Желілік шнурдың ашасын электр розеткасына сұғыңыз.
- Резервуардағы (10) судың жеткілікті екеніне көз жеткізіп алыңыз.
- Реттегішті (7) бұрап, қажетті үтіктеу температурасын бумен жұымс істеу аймағына белгілеңіз, сол кезде көрсеткіш (6) жанады.
- Үтіктің табаны (11) белгіленген температураға дейін жеткен кезде көрсеткіш (6) сөніп қалады, осыдан кейін үтіктеуге кірісе беруге болады.
- Тұрақты бу беру реттегішімен (3) қажетті бу тұзу қарқындылығын орнатыңыз.
- Тұрақты бу жіберу режимінде табанның саңылауларынан (11) шыққан бу үтіктің тек көлденең күйінде тұрған кезде ғана шығады. Бу беруді тоқтату үшін үтікті тік күйге орнатыңыз немесе (3) «0» күйіне ауыстырыңыз (бу жіберу сөндірулі).
- Үтікті пайдаланып болғаннан кейін температура реттегішін (7) «MIN» күйіне, ал үнемі бу беру реттегішін (3) – бу беру сөндірілген «0» күйіне белгілеңіз (бу жіберу сөндірулі).
- Желілік шнурдың ашасын электр розеткасынан суырыңыз да, оның толық сууын күтіңіз.

## НАЗАР АУДАРЫҢЫЗ!

Егер жұмыс істеу уақытында тұрақты бу беру болмаса, бу беру реттегіші (3) күйінің дұрыстығын және резервуарда (10) судың болуын тексеріңіз.

## СУ ШАШЫРАТҚЫШ

- Сіз шашыратқыш түймесін (5) бірнеше рет басып матаны дымқылдай аласыз.
- Резервуардағы (10) судың жеткілікті екеніне көз жеткізіп алыңыз.



# ҚАЗАҚША

## ҚОСЫМША БУ ЖІБЕРУ

Бу беру қызметі қыртыстарды үтіктеген кезде пайдалы және үтіктеудің жоғары температуралы режимінде ғана қолданыла алады (температура реттегіші (7) «MAX» күйінде).

Қосымша бу беру батырмасын (4) басқан кезде табанының (11) саңылауларынан бу қарқынды шыға бастайды.

**Ескерту:** Судың бу саңылауларынан ағуын болдырмау үшін қосымша бу беру батырмасын (4) 4-5 секунд аралығымен басыңыз.

Тамшының пайда болуын болдырмау үшін қосымша бу беру пернені (4) 5 секундтан артық ұстап тұрмаңыз.

## ТІГІНЕН БУЛАУ

Тігінен булау функциясы тек жоғары температуралы үтіктеу күйінде ғана пайдаланыла алады (температура реттегіші (7) «MAX» күйінде).

Үтікті тігінен киімнен 10-30 см қашықтықта ұстап тұрыңыз да, қосымша бу беру батырмасын (4) 4-5 секунд аралықпен басыңыз, бу үтіктің табанынан (11) қарқынды шығатын болады.

## Маңызды ақпарат

Синтетикалық маталарды тігінен булауға болмайды.

- Булау кезінде үтіктің табанын материалға, оның балқуын болдырмас үшін, тигізбеңіз.
- Ешқашан адамға киюлі тұрған киімді буламаңыз, себебі, шығатын будың температурасы өте жоғары, ол үшін киім ілгіштерді пайдаланыңыз.
- Сіз үтіктеп болғаннан кейін, үтікті сөндіріңіз, оның толық суығанын күтіңіз, осыдан кейін су құю саңылауының қақпағын (2) ашыңыз да, үтікті төңкеріп қалған суды төгіп тастаңыз.

## БУ КАМЕРАСЫН ТАЗАРТУ

Үтіктің қызмет ету мерзімін арттыру үшін үнемі бу камерасын, әсіресе, «кермек» суқұбыры бар өңірлерде, тазартып тұру керек.

- Үнемі бу жіберу реттегішін (3) «0» (бу жіберу сөндірулі) күйіне орнатыңыз.
- Суды максималды су деңгейінің белгісіне (13) дейін құйыңыз, қақпақты (2) тығыз жабыңыз.
- Үтікті түбіне (9) қойыңыз.

- Желілік шнурдың ашасын электр розеткасына сұғыңыз.
- Реттегішті (7) бұрай отырып, үтік табанының максималды қызу температурасына «MAX» орнатыңыз, осы кезде көрсеткіш (6) жанады.
- Үтік табанының (11) температурасы белгіленген температураға жеткенде, көрсеткіш (6) сөнеді, бу камерасын тазалауды жүргізуге болады.
- Желілік сым айырын электрлік розеткадан суырыңыз.
- Үтікті раковинаның үстінде көлденең орналастырыңыз да, «Selfclean» түймесін (12) басып ұстап тұрыңыз.
- Қайнаған су мен бу қақпен бірге үтіктің табаны (11) саңылауларынан шыға бастайды.
- Үтікті резервуардағы (10) барлық су шығып болмайынша сәл алдыға-артқа шайқаңыз.
- Үтікті түбіне қойыңыз да (9), оны толық суытыңыз.
- Үтіктің табаны (11) толық суып болғаннан кейін, оны құрғақ матамен сүртіңіз.
- Үтікті сақтауға алып қоймас бұрын резервуарда (10) судың қалмағандығын, ал үтіктің табаны (11) құрғақ екенін тексеріп алыңыз.

## ТАЗАЛАУ ЖӘНЕ КҮТІМ ЖАСАУ

- Үтікті тазаламас бұрын, ол электр желісінен ажыратулы және суып тұрғанын тексеріп алыңыз.
- Үтіктің корпусын ылғал матамен сүртіңіз, осыдан кейін оны құрғатып сүртіңіз.
- Үтіктің табанындағы шөгінділерді су-сірке суы ерітіндісіне малынған матамен кетіруге болады.
- Шөгінділерді кетіргеннен кейін табанның бетін құрғақ матамен сүртіңіз.
- Үтіктің табаны мен корпусын тазалау үшін қажайтын тазартқыш құралдарды және еріткіштерді пайдаланбаңыз.
- Үтіктің табанын өткір металл бұйымдарына тигізіп алмаңыз.

## САҚТАЛУЫ

- Үтікті сақтауға алып қоймас бұрын, оны тазартып алыңыз, резервуардағы (10) су қалдығын жойыңыз.



- Температура реттегішін (7) «MIN» күйіне, ал үнемі бу жіберу реттегішін (3) «0» (бу жіберу сөндірулі) күйіне орнатыңыз.
- Желілік шнурды үтіктің негізіне (9) ораңыз.
- Үтікті тік күйінде құрғақ, салқын, балалардың қолы жетпейтін жерде сақтаңыз.

### ЖЕТКІЗУ ЖИЫНТЫҒЫ

Үтік – 1 дн.

Өлшеуіш стақан – 1 дн.

Нұсқаулық – 1 дн.

### ТЕХНИКАЛЫҚ СИПАТТАМАЛАР

Электрқорегі: 220-240 В ~ 50 Гц

Қажет ететін қуаты: 2400 Вт

*Өндіруші құрылғы сипаттамаларын алдында хабарлаусыз өзгерту құқығын сақтайды.*

**Құрылғының жұмыс уақыты – 3 жыл**

### Гарантиялық міндеттілігі

Гарантиялық жағдайдағы қаралып жатқан бөлшектер дилерден тек сатып алынған адамға ғана беріледі. Осы гарантиялық міндеттілігіндегі шағымдалған жағдайда төлеген чек немесе квитанциясын көрсетуі қажет.



### УВАГА!

- Не користуйтеся праскою після її падіння, за наявності видимих пошкоджень або в разі протікання.
- Ставте праску на рівну стійку поверхню або користуйтеся стійкою прасувальною дошкою.
- Не використовуйте праску за наявності пошкоджень мережевої вилки, мережевого шнура або будь-яких інших несправностей.
- При наповненні резервуара водою обов'язково виймайте вилку мережевого шнура з електричної розетки.
- Кришка заливального отвору має бути закрита під час прасування.
- Увага! Поверхні праски нагріваються під час роботи. Щоб уникнути опіків, не торкайтеся гарячих поверхонь праски та не розташовуйте відкриті ділянки тіла над виходячою парою.
- Зливайте воду з резервуара лише після вимкнення праски з електричної мережі.
- Не залишайте праску, підключену до електричної мережі, без нагляду.
- Даний пристрій не призначений для використання дітьми молодше 8 років. Під час роботи і охолодження розміщайте пристрій у місцях, недоступних для дітей молодше 8 років.
- Цей пристрій не призначений для використання людьми (включаючи дітей старше 8 років) з фізичними, нервовими, психічними відхиленнями або без достатнього досвіду і знань. Використання приладу такими особами можливо, тільки якщо вони знаходяться під наглядом особи, що відповідає за їх безпеку за умовою, що їм були дані відповідні зрозумілі інструкції про безпечне використання пристрою і ті небезпеки, які можуть виникати при його неправильному користуванні.
- У резервуарі можуть знаходитися залишки води – це нормальне явище, так як на виробництві праска проходила контроль якості.

## ПРАСКА VT-1258 B

Праска призначена для прасування одягу, постільної білизни та вертикального відпарювання тканин.

### ОПИС

1. Сопло розбризкувача води
2. Кришка заливального отвору
3. Регулювальник постійної подачі пари
4. Кнопка додаткової подачі пари
5. Кнопка розбризкувача води
6. Індикатор включення/виключення нагрівального елемента
7. Регулювальник температури
8. Захист мережевого шнура
9. Основа праски
10. Резервуар для води
11. Підшова праски
12. Кнопка режиму самоочищення «SELF-CLEAN»
13. Показчик максимального рівня води
14. Мірний стаканчик

### ЗАХОДИ БЕЗПЕКИ

Перед початком експлуатації електроприладу уважно прочитайте цей посібник по експлуатації і збережіть його для використання в якості довідкового матеріалу.

Використовуйте пристрій лише по його прямому призначенню, як викладено в цьому керівництві. Неправильне поводження з пристроєм може привести до його поломки, спричинення шкоди користувачеві або його майну.


- Перед включенням переконайтеся, що напруга в електромережі відповідає робочій напрузі праски.
- Мережевий шнур забезпечений «євро вилкою»; включайте її в розетку, що має надійний контакт заземлення.
- Щоб уникнути ризику виникнення пожежі не використовуйте перехідники при підключенні приладу до електричної розетки.
- Щоб уникнути перевантаження електричної мережі не включайте одночасно декілька пристроїв з великою споживаною потужністю.
- Забороняється заливати в резервуар для води ароматизуючі рідини, оцет, розчин крохмалю, реагенти для видалення накипу, хімічні речовини тощо.

- Наглядайте, щоб мережевий шнур не знаходився на прасувальній дошці і не торкався гарячих поверхонь.
- Не залишайте пристрій без нагляду. Під час перерв у роботі встановлюйте праску на основу (у вертикальне положення).
- Перед вимкненням/підмиканням праски до електричної мережі установіть регулятор температури у мінімальне положення і вимкніть постійну подачу пари. Обов'язково відключайте праску від електромережі, якщо не користуєтеся нею.
- Кожного разу при вимкненні праски з електричної мережі тримайтеся за мережеву вилку, ніколи не тягніть за мережевий шнур.
- Щоб уникнути ураження електричним струмом не занурюйте корпус пристрою, мережевий шнур і вилку мережевого шнура у воду або будь-які інші рідини.
- Перш ніж забрати праску, дайте їй повністю остигнути і злийте залишки води.
- **Регулярно робіть чищення пристрою.**
- **Не занурюйте корпус пристрою, мережевий шнур або вилку мережевого шнура у воду або в будь-які інші рідини.**
- **Не торкайтеся корпусу пристрою і вилки мережевого шнура мокрими руками.**
- Не дозволяйте дітям торкатися корпусу приладу і мережевого шнура під час роботи.
- Здійсніть нагляд за дітьми, щоб не допустити використання приладу в якості іграшки.
- З міркувань безпеки дітей не залишайте поліетиленові пакети, використовувані в якості упаковки, без нагляду.

**Увага!** Не дозволяйте дітям грати з поліетиленовими пакетами або пакувальною плівкою. **Небезпека ядухи!**

- Забороняється самостійно ремонтувати пристрій. Не розбирайте пристрій самостійно, при виникненні будь-яких несправностей, а також після падіння пристрою вимкніть пристрій з електричної розетки та зверніться до будь-якого авторизованого (уповноваженого) сервісного центру за контактними адресами, вказаними у гарантійному талоні та на сайті [www.vitek.ru](http://www.vitek.ru).
- Перевозьте пристрій лише в заводській упаковці.

# УКРАЇНЬСКА

- Зберігайте праску у місцях, недоступних для дітей і людей з обмеженими можливостями.
- Забороняється торкатися поверхні пристрою, яка відзначена символом  під час прасування та після його. Ризик опіку.

*ПРИСТРІЙ ПРИЗНАЧЕНИЙ ЛИШЕ ДЛЯ ПОБУТОВОГО ВИКОРИСТАННЯ*

## ПЕРЕД ПЕРШИМ ВИКОРИСТАННЯМ

**Після транспортування або зберігання пристрою в холодних (зимових) умовах необхідно витримати його при кімнатній температурі не менше двох годин.**

- Витягніть праску з упаковки, за наявності захисту на підошві (11) видаліть захист.
- Перевірте цілісність пристрою, за наявності пошкоджень не користуйтеся праскою.
- Перед вмиканням переконайтеся в тому, що напруга в електричній мережі відповідає робочій напрузі праски.
- **У резервуарі можуть знаходитися залишки води – це нормальне явище, так як на виробництві праска проходила контроль якості.**

**Примітка:** При першому умиканні нагрівальний елемент праски обгорає, тому можлива поява стороннього запаху та невеликої кількості диму, це нормальне явище.

## ВИБІР ВОДИ

Для наповнення резервуару використовуйте водопровідну воду. Якщо водопровідна вода тверда, рекомендується змішувати її з дистильованою водою в співвідношенні 1:1, при дуже твердій воді змішуйте її з дистильованою водою в співвідношенні 1:2 або використовуйте тільки дистильовану воду.

## НАПОВНЕННЯ РЕЗЕРВУАРУ ДЛЯ ВОДИ

Перш ніж залити воду в праску переконайтеся, що вона відключена від електромережі.

- Встановіть регулятор температури (7) у положення «MIN», а регулятор постійної подачі пари (3) - у положення «0».
- Відкрийте кришку заливального отвору (2).
- Використовуючи мірну склянку (14), залийте воду в резервуар для води (10), потім закрийте кришку (2).

### Примітки:

- Не наливайте воду вище відмітки «MAX» (13).

- Якщо під час прасування необхідно долити води, то спочатку слід відключити праску і витягти мережеву вилку з електричної розетки. Після того, як ви закінчите прасувати, вимкніть праску, дочекайтесь її повного охолодження, після чого відкрийте кришку заливального отвору (2), переверніть праску і злийте залишки води.

## ТЕМПЕРАТУРА ПРАСУВАННЯ

Перед початком експлуатації протестуйте нагріту праску на клаптику тканини, щоб переконатися в тому, що підошва праски (11) та резервуар для води (10) чисті.

- Завжди перед прасуванням речей дивіться на ярлик виробу, де вказана температура прасування, що рекомендується.
- Якщо ярлик з вказівками по прасуванню відсутній, але ви знаєте тип матеріалу, то для вибору температури прасування користуйтеся таблицею.

### Позначки Тип тканини (температура)

•	Синтетика, нейлон, акрил, поліестер (низька температура)
••	Шовк/вовно (середня температура)
••• (MAX)	Бавовна/льон (висока температура)

- Таблиця застосовна лише для гладких матеріалів. Якщо матеріал іншого типу (гофрований, рельєфний тощо), то краще всього його прасувати при низькій температурі.
- Спочатку відсортуйте речі по температурі прасування: синтетику - до синтетики, вовно - до вовна, бавовна - до бавовни і так далі
- Праска нагрівається швидше, ніж остигає. Тому спочатку рекомендується прасувати речі при низькій температурі (наприклад, синтетичні тканини). Після чого починайте прасування при вищих температурах (шовк, вовна). Вироби з бавовни і льону слід прасувати в останню чергу.
- Якщо до складу тканини входять змішувальні волокна, необхідно встановити температуру прасування найнижчу

- (наприклад, коли виріб складається з поліестеру і з бавовни, то його слід прасувати при температурі, що підходить для поліестеру «\*»).
- Якщо ви не можете визначити склад тканини, то знайдіть на виробі місце, яке не кидається в очі при носінні, і дослідним шляхом виберіть температуру прасування (завжди починайте з найнижчої температури і поступово підвищуйте її, поки не доб'єтеся бажаного результату).
  - Вельветові і інші тканини, які швидко починають лиснітися, слід прасувати строго в одному напрямі (у напрямі ворсу) з великим натиском.
  - Щоб уникнути появи лислючих плям на синтетичних і шовкових тканинах, їх слід прасувати з виворітного боку.

## СУХЕ ПРАСУВАННЯ

- Поставте праску на основу (9).
- Вставте вилку мережевого шнура в електричну розетку.
- Регулятор подачі пари (3) установіть у положення «0» (постійна подача пари вимкнена).
- Повертанням регулятора (7) установіть температуру прасування залежно від типу **тканини**: «•», «••», «•••» або «**MAX**»; при цьому засвітиться індикатор (6).
- Коли підшошва праски (11) нагріється до заданої температури, індикатор (6) згасне, тепер можна приступати до прасування.
- Після використання праски установіть регулятор температури (7) у положення «**MIN**».
- Витягніть вилку мережевого шнура з електричної розетки і дійдіться повного охолодження праски.

## ПАРОВЕ ПРАСУВАННЯ

Праска забезпечена проти краплинним клапаном, який закриває подачу води при дуже низькій температурі підшошви праски, це запобігає появі крапель з отворів підшошви праски (11). При нагріванні і охолодженні підшошви праски ви почуєте характерні клацання відкриття/закривання проти краплинного клапана, що свідчить про його нормальну роботу. Парове прасування можливо тільки при установленні регулятора температури (7) у положення «•••» або «**MAX**».

- Поставте праску на основу (9).
- Вставте вилку мережевого шнура в електричну розетку.
- Переконайтеся, що в резервуарі (10) достатньо води.
- Поворотом регулювальника (7) встановіть необхідну температуру прасування: у зоні роботи з паром, при цьому спалахне індикатор (6).
- Коли підшошва праски (11) досягне заданої температури, індикатор (6) погасне, тепер можна приступати до прасування.
- Регулятором постійної подачі пари (3) установіть необхідну інтенсивність паротворення.
- У режимі постійної подачі пара буде виходити з отворів підшошви (11) тільки у горизонтальному положенні праски. Для припинення подачі пари установіть праску у вертикальне положення або переведіть регулятор (3) у положення «0» (подача пари вимкнена).
- Після використання праски установіть регулятор температури (7) у положення «**MIN**», а регулятор постійної подачі пари (3) – у положення «0» (подача пари вимкнена).
- Витягніть вилку мережевого шнура з електричної розетки і дочекайтеся повного охолодження праски.

## УВАГА!

Якщо під час роботи не відбувається постійної подачі пару, перевірте правильність положення регулювальника подачі пару (3) і переконайтеся в наявності води в резервуарі (10).

## РОЗБРИЗКУВАЧ ВОДИ

- Ви можете зволожити тканину, натиснувши кілька разів на кнопку розбризкувача (5).
- Переконайтеся, що в резервуарі (10) достатньо води.

## ДОДАТКОВА ПОДАЧА ПАРИ

Функція додаткової подачі пари корисна при розгладженні складок і може використовуватися лише при високотемпературному режимі прасування (у цьому випадку регулятор температури (7) знаходиться в положенні «**MAX**»).

# УКРАЇНЬСКА

При натисненні клавiші додаткової подачі пари (4) з отворів підшви (11) інтенсивно виходитиме пара.

**Примітки:** Щоб уникнути витікання води з парових отворів, натискуйте на клавiшу додаткової подачі пари (4) з інтервалом в 4-5 секунд. Щоб запобігти з'явленню краплин, не утримуйте клавiшу додаткової подачі пари (4) більше 5 секунд.

## ВЕРТИКАЛЬНЕ ВІДПАРЮВАННЯ

Функція вертикального відпарювання може використовуватися лише при високотемпературному режимі прасування (у цьому випадку регулятор температури (7) знаходиться в положенні «MAX»).

Тримайте праску вертикально на відстані 10-30 см від одягу і натискуйте клавiшу додаткової подачі пари (4) з інтервалом в 4-5 секунд, пара інтенсивно виходитиме з отворів підшви праски (11).

## Важлива інформація

Не рекомендується виконувати вертикальне відпарювання синтетичних тканин.

- При відпарюванні не торкайтеся підшовою праски до матеріалу, щоб уникнути його оплавлення.
- Ніколи не відпарюйте одяг, надтий на людину, оскільки температура пару, що виходить, дуже висока, користуйтеся плічками або вішалкою.
- Після того, як ви закінчите прасувати, вимкніть праску, дочекайтесь її повного охолодження, після чого відкрийте кришку заливального отвору (2), переверніть праску і злийте залишки води.

## ОЧИЩЕННЯ ПАРОВОЇ КАМЕРИ

Для збільшення терміну служби праски рекомендується регулярно виконувати очищення парової камери, особливо в регіонах з «твердою» водопровідною водою.

- Установіть регулятор постійної подачі пари (3) у положення «0» (подача пари вимкнена).
- Залийте воду до максимальної відмітки (13), потім щільно закрийте кришку (2).
- Поставте праску на основу (9).
- Вставте вилку мережевого шнура в електричну розетку.

- Повертанням регулятора (7) установіть максимальну температуру нагрівання підшви праски «MAX», при цьому засвітиться індикатор (6).
- Коли підшва праски (11) досягне встановленої температури, а індикатор (6) згасне, можна проводити очищення парової камери.
- Витягніть вилку мережевого шнура з електричної розетки.
- Розташуйте праску горизонтально над раковиною, натисніть та утримуйте кнопку «Selfclean» (12).
- Кипляча вода і пар разом з накипом викиданими з отворів підшви праски (11).
- Злегка похитуйте праску вперед і назад, поки вся вода не вийде з резервуару (10).
- Поставте праску на основу (9) і дайте їй повністю остигнути.
- Коли підшва праски (11) повністю охолоне, протріть її шматочком сухої тканини.
- Перш ніж прибрати праску на зберігання, переконайтеся, що в резервуарі (10) немає води, а підшва праски (11) суха.

## ДОГЛЯД ТА ЧИЩЕННЯ

- Перш ніж чистити праску переконайтеся, що вона вимкнена з електричної мережі і вже остигла.
- Протріть корпус праски злегка вологою тканиною, після цього витріть її насухо.
- Відкладення на підшві праски можуть бути видалені тканиною, змоченою у водно – оцтовому розчині.
- Після видалення відкладень протріть поверхню підшви праски сухою тканиною.
- Не використовуйте для чищення підшви та корпусу праски абразивні чистячі засоби та розчинники.
- Уникайте контакту підшви праски з гострими металевими предметами.

## ЗБЕРІГАННЯ

- Перш ніж забрати праску на зберігання, зробіть її чищення, видаліть залишки води з резервуара (10).
- Установіть регулятор температури (7) у положення «MIN», а регулятор постійної подачі пари (3) – у положення «0» (подача пари вимкнена).

- Намотайте мережний шнур навколо основи (9).
- Зберігайте праску у вертикальному положенні у сухому прохолодному місці, недоступному для дітей.

## КОМПЛЕКТ ПОСТАЧАННЯ

Праска – 1 шт.

Вимірна склянка – 1 шт.

Інструкція – 1 шт.

## ТЕХНІЧНІ ХАРАКТЕРИСТИКИ

Електроживлення: 220-240 В ~ 50 Гц

Споживана потужність: 2400 Вт

*Виробник залишає за собою право змінювати характеристики пристрою без попереднього повідомлення*

**Термін служби пристрою – 3 роки**

## Гарантія

Докладні умови гарантії можна отримати в дилера, що продав дану апаратуру. При пред'явленні будь-якої претензії протягом терміну дії даної гарантії варто пред'явити чек або квитанцію про покупку.

*Даний виріб відповідає вимогам до електромагнітної сумісності, що пред'являються директивою 2004/108/ЕС Ради Європи й розпорядженням 2006/95/ЕС по низьковольтних апаратурах.*



**GB**

A production date of the item is indicated in the serial number on the technical data plate. A serial number is an eleven-unit number, with the first four figures indicating the production date. For example, serial number 0606xxxxxx means that the item was manufactured in June (the sixth month) 2006.

**DE**

Das Produktionsdatum ist in der Seriennummer auf dem Schild mit technischen Eigenschaften dargestellt. Die Seriennummer stellt eine elfstellige Zahl dar, die ersten vier Zahlen bedeuten dabei das Produktionsdatum. Zum Beispiel bedeutet die Seriennummer 0606xxxxxx, dass die Ware im Juni (der sechste Monat) 2006 hergestellt wurde.

**RUS**

Дата производства изделия указана в серийном номере на табличке с техническими данными. Серийный номер представляет собой одиннадцатизначное число, первые четыре цифры которого обозначают дату производства. Например, серийный номер 0606xxxxxx означает, что изделие было произведено в июне (шестой месяц) 2006 года.

**KZ**

Бұйымның шығарылған мерзімі техникалық деректері бар кестедегі сериялық нөмірде көрсетілген. Сериялық нөмір он бір саннан тұрады, оның бірінші төрт саны шығару мерзімін білдіреді. Мысалы, сериялық нөмір 0606xxxxxx болса, бұл бұйым 2006 жылдың маусым айында (алтыншы ай) жасалғанын білдіреді.

**UA**

Дата виробництва виробу вказана в серійному номері на табличці з технічними даними. Серійний номер представляє собою одинадцятизначне число, перші чотири цифри якого означають дату виробництва. Наприклад, серійний номер 0606xxxxxx означає, що виріб був виготовлений в червні (шостий місяць) 2006 року.



ЗАПРЕЩЕНО УТИЛИЗИРОВАТЬ  
С БЫТОВЫМ МУСОРОМ.  
ОБРАТИТЕСЬ НА СООТВЕТСТВУЮЩИЙ  
ПУНКТ ПЕРЕРАБОТКИ ЭЛЕКТРИЧЕСКОГО  
И ЭЛЕКТРОННОГО ОБОРУДОВАНИЯ.