

TAMRON

- SP AF11-18mm F/4.5-5.6 DiII LD Aspherical [IF] (Model A13)
- SP AF17-50mm F/2.8 XR DiII LD Aspherical [IF] (Model A16)
- AF18-200mm F/3.5-6.3 XR DiII LD Aspherical [IF] Macro (Model A14)
- AF18-250mm F/3.5-6.3 DiII LD Aspherical [IF] Macro (Model A18)
- AF55-200mm F/4-5.6 DiII LD Macro (Model A15)

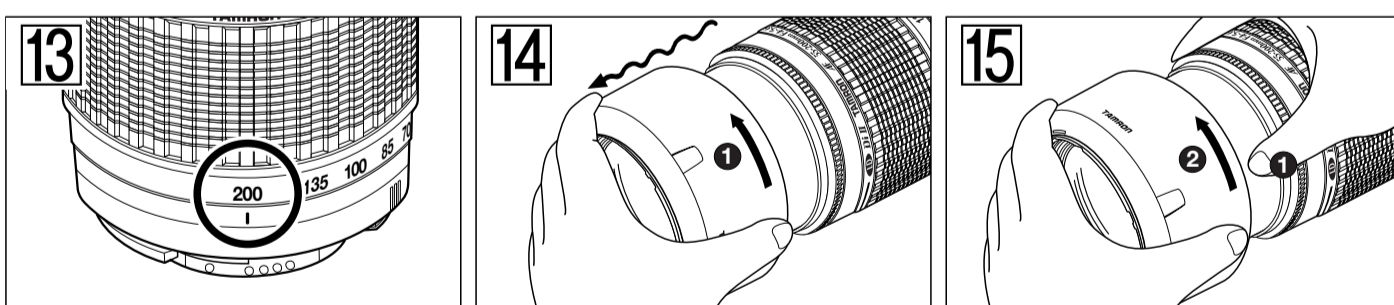
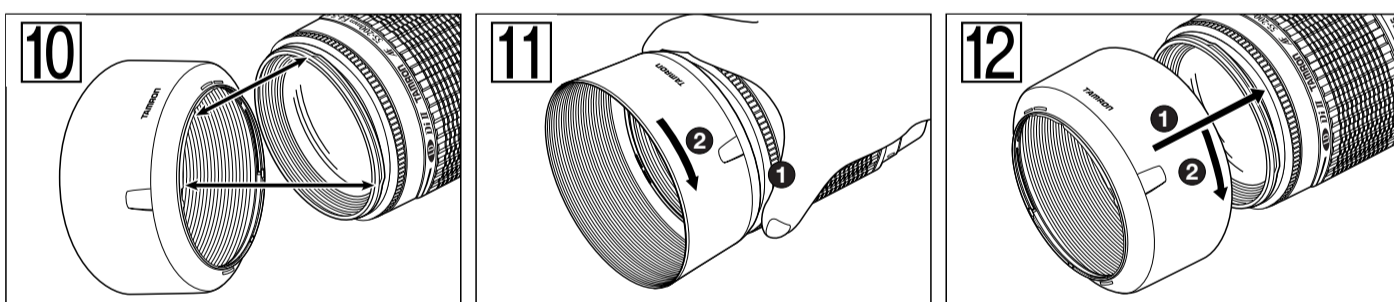
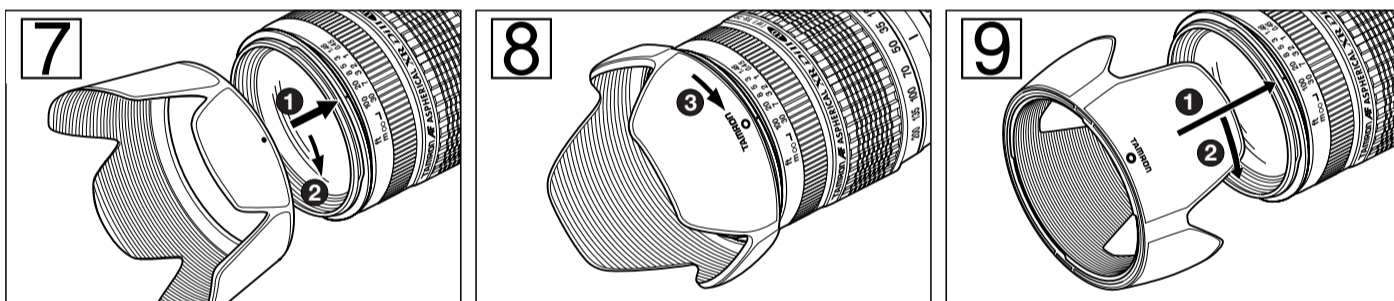
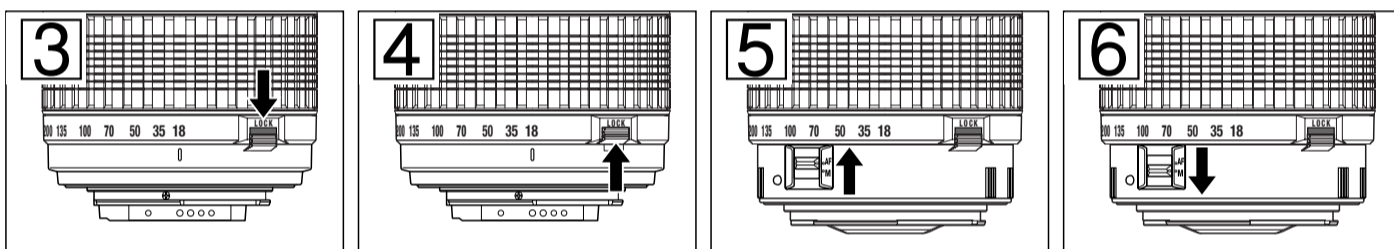
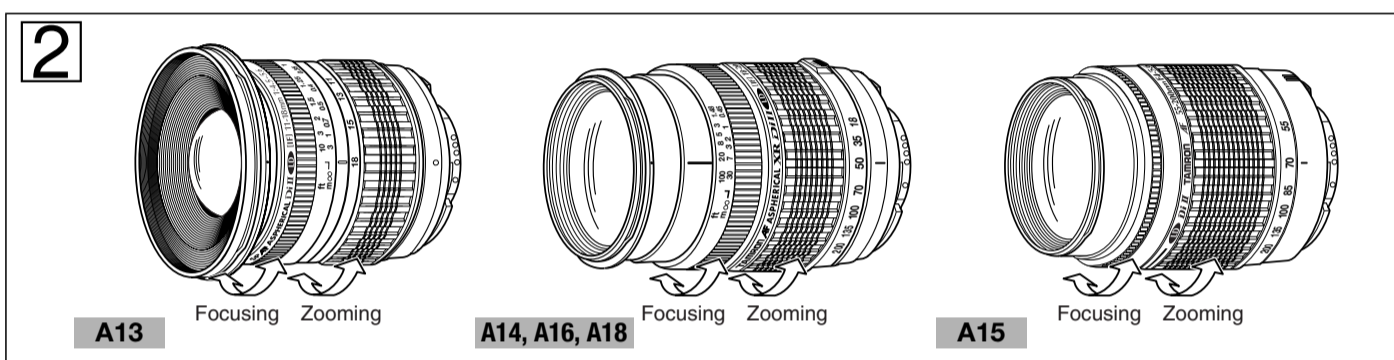
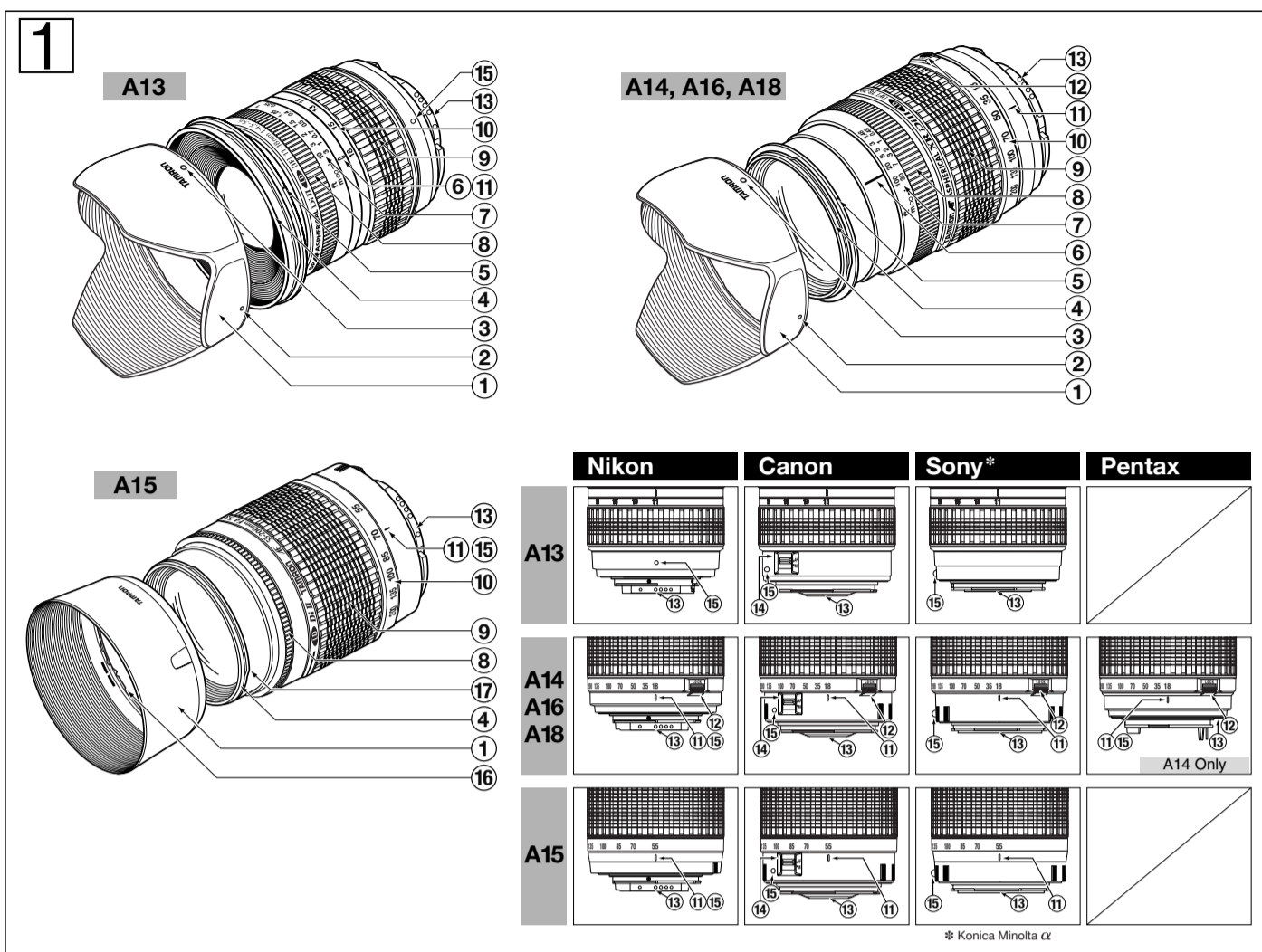


Fig. [3] Ziehen Sie Zoom-Lock rückwärts, um den Zoom-Ring zu verriegeln. Poussez le bouton de blocage du zoom vers le boîtier pour bloquer la bague de réglage du zoom. Tire hacia atrás del bloqueo del zoom para bloquear el anillo del zoom. Trek de knop naar achteren om de zoomring te vergrendelen. Puxe o botão de travagem do zoom para travar o anel do zoom. Spostaté all'indietro l'interruttore di blocco dello zoom per bloccare lo zoom.

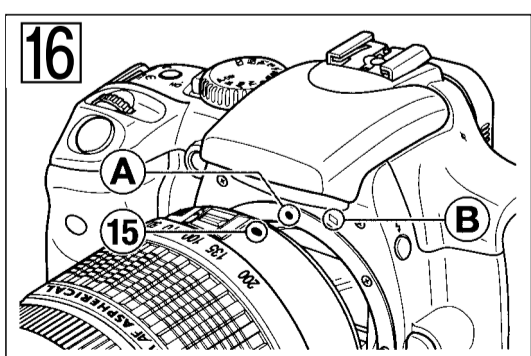
图[3] 后向拉移变焦锁定开关以锁定变焦环。

Fig. [4] Drücken Sie Zoom-Lock, um den Zoom-Ring freizugeben. Poussez le bouton de blocage du zoom pour libérer la bague de réglage du zoom. Empuje el bloqueo del zoom para liberar el anillo del zoom. Duw de knop naar voren om de zoomring te ontgrendelen. Empurre o botão de travagem do zoom para libertar o anel do zoom. Spingete in avanti l'interruttore di blocco dello zoom per sbloccarlo.

图[4] 推移变焦锁定开关以释放变焦环。

Fig. [5] & [6] Canon AF-umschaltung ON (links), OFF (rechts). Canon AF : sélecteur ON [marche] (gauche), OFF [arrêt] (droite). Selector AF Canon ON (izquierda), OFF (derecha). Canon AF-schakelaar AAN (links) en UIT (rechts). Canon AF-botão ON (esquerda), OFF (direita). Interruttore/commutatore AF su obiettivi Canon EOS "ON" (sicistra), "OFF" (destra).

图[5]与[6] Canon 自动聚焦(AF)开关, 左开(ON), 右关(OFF)




CE
 * The CE Marking is a directive conformity mark of the European Community (EC).
 * Das CE-Zeichen entspricht der EC Norm.
 * La marquage CE est un marquage de conformité à la directive CEE (CE).
 * La marca CE es marca de conformidad según directiva de la Comunidad Europea (CE).
 * Il marchio CE attesta la conformità alla direttiva della Comunità Europea (CEE).
 * CE 标志表示符合欧洲共同体(EC)指标

The EEC Conformity Report applies to the Council Directive 98/336/EEC, 92/31/EEC, 93/68/EEC and is used by Tamron Co., Ltd., manufacturer of this product.

Thank you for purchasing the Tamron lens as the latest addition to your photographic equipment. Di II lens (Digitally Integrated) series are designed for digital SLR cameras with image sensors equivalent to APS-C size. Before using your new lens, please read the contents of this Owner's Manual thoroughly to familiarize yourself with your lens and the proper techniques for creating the highest quality images possible. With proper handling and care, your Tamron lens will give you many years of photographing beautiful and exciting pictures.

 • Explains precautions that help to prevent problems.

 • Explains things you should know in addition to basic operations.

NOMENCLATURE (Refer to Fig. ①, if not specified)

- ① Lens hood
- ② Hood attaching alignment mark
- ③ Hood attaching indicator
- ④ Filter ring
- ⑤ Hood attaching bayonet ring
- ⑥ Distance index
- ⑦ Distance scale
- ⑧ Focusing ring
- ⑨ Zooming ring
- ⑩ Focal length scale
- ⑪ Zoom index mark
- ⑫ Zoom lock switch (A14 & A16: Figs. ③ & ④)
- ⑬ Lens mount/Lens mount contacts (Nikon)
- ⑭ AF-MF altering switch (Canon Fig. ⑤ & ⑥)
- ⑮ Lens attachment mark
- ⑯ Bayonet tab on the hood
- ⑰ Bayonet tab on the lens

SPECIFICATIONS

	A13	A14	A15	A16	A18
Focal Length	11-18 mm	18-200 mm	55-200 mm	17-50 mm	18-250 mm
Maximum Aperture	F/4.5-5.6	F/3.5-6.3	F/4-5.6	F/2.8	F/3.5-6.3
Angle of View	103°29' - 75°33'	75°33' - 7°59'	28°28' - 7°59'	78°45' - 31°11'	75°33' - 6°23'
Lens Construction	12/15	13/15	9/13	13/16	14/16
Minimum Focusing Distance	0.25 m (throughout the entire zoom range)	0.45 m	0.95 m (throughout the entire zoom range)	0.27 m (throughout the entire zoom range)	0.45 m (throughout the entire zoom range)
Filter Size ϕ	77 mm	62 mm	52 mm	67 mm	62 mm
Length	78.6 mm	83.7 mm	83.0 mm	83.2 mm	84.3 mm
Diameter ϕ	83.2 mm	73.8 mm	71.6 mm	73.8 mm	74.4 mm
Weight	345 g	398 g	295 g	430 g	430 g
Lens Hood	DA13	DA06	DA15	DA09	XXXX

 • Lengths and weights listed in lens specifications are for lenses with Nikon mounts.
• Features and cosmetic designs of lenses listed in this owner's manual may be revised without notice.


ATTACHING AND REMOVING THE LENS (A13, A14, A15, A16, A18)

How to mount the lens

Removing the rear cap of the lens. Align the Lens attachment mark ⑮ on the lens barrel with its counterpart on the camera mount and insert the lens. Rotate the lens clockwise until it click-locks. For Nikon and Pentax models, align the lens attachment mark on the camera and the Lens attachment mark ⑮ on the lens to attach the lens. For Nikon models, align the lens attachment mark with the dot on the camera and rotate the lens counter-clockwise until it click-locks.

How to detach the lens

Pressing the lens release button on the camera down, turn the lens counter-clockwise (in case of Nikon lens, clockwise), and lift the lens off the camera's lens mount.

 • The image circles of Di II lenses are designed to match the digital SLR cameras using the image sensors equivalent to APS-C (approx. 15.5×23.2mm). Do not use Di II lenses with cameras using image sensors larger than APS-C. Using Di II lenses with such cameras may cause vignetting on the image.
• Some Canon digital SLR cameras have index marks for attaching both EF lenses (red) ④ and EF-S lenses (white) ⑤ on the bayonet mount. To attach Tamron DiII lenses, align the lens attachment mark on the lens ⑮ with the index mark for EF lenses (red) ④. Do not forcibly align the indicator on the lens ⑮ with the index mark for EF-S lens (white) ⑤. Doing so could result in damage to the lens and/or camera.

 • For further details, please read the instruction manual of your camera.

FOCUSING (Autofocus) (Ref. Figs. ① & ②) (A13, A14, A15, A16, A18)


Switch the focusing mode switch of the camera to Auto focusing mode (AF) in case of Nikon, Sony or Pentax. In case of a Canon camera, switch the AF/MF switch ⑭ on the lens to AF (Fig. ⑤). Press the shutter button lightly while viewing through the camera's viewfinder, the lens focuses automatically. An in-focus mark will light when lens focuses on the main subject sharply. Press the shutter button further to photograph.

 • When set on AF mode, interfering with focusing ring ⑧ may cause serious damage to the lens mechanism.

 • For further details, please read the instruction manual of your camera.

FOCUSING (Manual Focus) (Ref. Figs. ②) (A13, A14, A15, A16, A18)

Switch the focusing mode switch of the camera to manual focusing mode (MF) in case of Nikon, Sony or Pentax. In case of a Canon camera, switch the AF/MF switch ⑭ on the lens to MF (Fig. ⑥.) Focus manually rotating the focusing ring while viewing through the camera's viewfinder. The main subject in the viewfinder will be sharp when the lens is focused correctly.

 • Even in the MF mode, turning focusing ring ⑧ while pressing the shutter button halfway the focus aid function lamp lights up when the picture is in focus.
• At infinity, make sure the image in the viewfinder appears sharp. The infinity position on A13, A14, A16 & A18 is made with certain allowances to insure proper focus under a variety of conditions.
• The focusing ring ⑧ of the A15 does not have a distance scale.
• For further details, please read the instruction manual of your camera.

ZOOMING (Ref. Fig. ②) (A13, A14, A15, A16, A18)


Rotate zooming ring ⑨ of the lens while viewing through the camera's viewfinder and compose your image at the chosen focal length.

ZOOM LOCK SWITCH (Ref. Figs. ③ & ④) (A14, A16, A18)


Model A14, A16 & A18 is equipped with zoom lock switch mechanism which prevent lens barrel from extending towards long focal length, while hanging around the neck. Activate the switch at the shortest setting to stop the lens barrels from rotating and extending.

How to activate the zoom lock switch mechanism

- 1) Locking: Set the zoom ring on the lens to the shortest position. Move the zoom lock switch ⑫ toward the camera for locking the zooming ring ⑨. The lens barrel is locked in position when the portion beneath "Lock" is shown in red and the lens barrel does not rotate or extend by its own weight.
- 2) Releasing: Push the zoom lock switch ⑫ up. The zooming ring ⑨ is now released and can be rotated.

 • Zoom lock switch can not be activated unless the lens is set to the shortest position. Do not force the lock switch or try to rotate the zooming ring while locked, doing so may damage the lens.

• The zoom lock mechanism is made to prevent the lens barrel from extending while carried around the neck. When not locked and the zoom lens may change its focal length during a long exposure used in a low or high angle position.

 • The lens can be used at the shortest setting for picture taking even while in the focused position.

LENS APERTURE AND AE MODE (A13, A14, A15, A16, A18)


Please follow the instruction manual of your camera.

LENS HOOD (Ref. Figs. ①, ⑦, ⑧ & ⑨) (A13, A14, A16, A18)

A bayonet-type lens hood is provided as standard equipment. We recommend shooting with the hood attached whenever possible as the lens hood eliminates stray light which is harmful to the picture. However, please be aware of the precautions written below when your camera is equipped with a built-in flash.

Attaching the Lens Hood (Ref. Figs. ⑦ & ⑧)

Align the index mark ② on the hood with the corresponding index mark ⑤ or the top of the index line of the distance scale) on the lens. Press the hood lightly onto the hood attaching bayonet ring (Fig. ⑦), No. ①) and then rotate it clockwise to secure (Fig. ⑦, No. ②). The lens hood will be securely held as the mark "TAMRON ○" comes to the top (Fig. ⑧, No. ③). When attaching the lens hood, hold the focusing and zoom control rings so that they are not rotated unintentionally.


 • Pay particular attention to align the hood attaching indexes when using zoom lenses including wide-angle (e.i. 35 mm or wider) settings. Improper attachment of a hood for wide-angle zoom lens may cause large shadowed areas in your pictures.

Stowing lens hood on the lens (Ref. Fig. ⑨)

- 1) Reverse the lens hood. Point the lens toward to opening, then align the hood attachment mark on the lens with the (TAMRON ○) alignment on the hood ③.
- 2) Turn the hood clockwise until it alignment mark (●) is at the top to set it. (Fig. ⑨, ②)

LENS HOOD (Ref. Figs. ①, ⑩ to ⑮) (A15)

When attaching and detaching the lens hood for the A15, please follow these instructions.

 • When attaching and detaching the lens hood for the A15, be sure to set your camera or lens to MF mode. The hood attaching bayonet ring ⑤ turns as the focusing ring ⑧ turns. Trying to attach the lens hood when the camera or lens is set in the AF mode forces the focusing ring ⑧ to turn and will damage the camera or lens.

Attaching the Lens Hood (Ref. Figs. ⑩ & ⑪)

- 1) For Nikon or Sony cameras, set the camera to the MF mode. For Canon cameras, set the AF-MF switch ⑭ on the lens to the MF position.
- 2) Engage the bayonet tab on the lens hood ⑯ with the bayonet tab on the lens ⑰.
- 3) Secure the focusing ring ⑧ from moving while turning the lens hood ① clock wise until the hood clicks into the lock position.

Detaching the lens hood

- 1) For Nikon and Sony cameras, set the camera to the MF mode. For Canon cameras, set the AF-MF switch ⑭ on the lens to the MF position.
- 2) Secure the focusing ring ⑧ from moving while turning the lens hood ① counter-clock wise until the hood is released from the lens.

Storing the lens hood (Ref. Fig. ⑫)

The lens hood can be reverse-mounted for easy storage.

- 1) For Nikon or Sony cameras, set the camera to the MF mode. For Canon cameras, set the AF-MF switch ⑭ to the MF position.
- 2) Engage the hood attachment bayonet ring ⑤ with the hood attaching tabs on the hood.
- 3) Turn the lens hood ① clock-wise until it clicks into the locking position.

Detaching the stored lens hood (Ref. Figs. ⑬, ⑭ & ⑮)

- 1) For Nikon or Sony cameras, set the camera to the MF mode. For Canon cameras, set the AF-MF switch ⑭ to the MF position.
- 2) Set the zoom index mark ⑩ at 200mm on the zooming ring ⑨.
- 3) Turn the lens hood ① counter-clockwise to extend the focusing ring ⑧.
- 4) Hold the extended portion of the focusing ring ⑧ to secure from moving while turning the hood ① counter-clock wise until the hood is released.

PRECAUTIONS IN SHOOTING

- The optical design for Di II takes into consideration the various features of digital single reflex cameras. However, due to the configuration of the digital single reflex cameras, even when the autofocus accuracy is within specifications, the focal point may be a little forward or behind the optimum point when shooting with auto focus under some conditions.
- The image circles of Di II lenses are designed to match the digital SLR cameras using the image sensors equivalent to APS-C (approx. 15.5×23.2mm). Do not use Di II lenses with cameras using image sensors larger than APS-C. Using Di II lenses with such cameras may cause vignetting on the image.
- (A13, A14, A16, A18) employ an internal focusing (IF) system. Because of the characteristics of this optical design, the angles of view at distances other than infinity are wider than that of the lenses applying an ordinary focusing system.
- When the built-in flash on the camera is used, adverse photographic phenomena such as corner illumination fall-off or vignetting at the bottom part of the image may be observed, especially in wide angle ranges. This is due to the inherent limitation of the coverage of the built-in flash, and/or the relative position of the flash to the edge of the lens barrel which causes shadows on the image. It is strongly recommended to use a suitable separate flash unit provided by the camera manufacturer for all flash photography. For further details, please read the "built-in flash" article on the instruction manual of your camera.
- When using the lens in the telephoto focal range, please be careful with the camera shake. Effective way to avoid the camera shake is using an ISO setting of higher numbers. Using a tripod or monopod is also effective.
- When set on AF mode, interfering with focusing ring may cause serious damage to the lens mechanism.
- Certain camera models may indicate the maximum and minimum aperture values of the lens appropriate numbers. This is inherent to the design of the camera and not an indication of an error.
- When using a special filter such as a PL filter on the A16, use low-profile filter. The thick rim of a PL filter may cause vignetting.

TO ENSURE LONG-TERM SATISFACTION

- Avoid touching the glass element surface. Use a photographic lens cloth or blower to remove dust from the lens element surface. When not using the lens, always place a lens cap on it for protection.
- Use a lens cleaning tissue or lint cloth with a drop of cleaning solution to remove fingerprints or dirt on the glass lens surface with a rotary motion from the center to the edge.
- Use a silicon cloth to clean your lens barrel only.
- Mildew is an enemy of your lens. Clean the lens after shooting near water or in any humid place. Store your lens in a clean, cool and dry place. When storing the lens in an lens case, store it with commercially available drying agent such as silicagel, and change the agent occasionally. If you find mildew on your lens, consult an authorized repair shop or nearby photo-graphic store.
- Do not touch the lens-camera interface contacts since dust, dirt and/or stains may cause a contact failure between the lens and camera.
- When using your equipment [camera(s) and lens(es)] in an environment where the temperature changes from one extreme to the other, make sure to put your equipment temporarily in a case or a plastic bag for a length of time in order for the equipment to go through a gradual temperature shift. This will reduce potential equipment trouble.