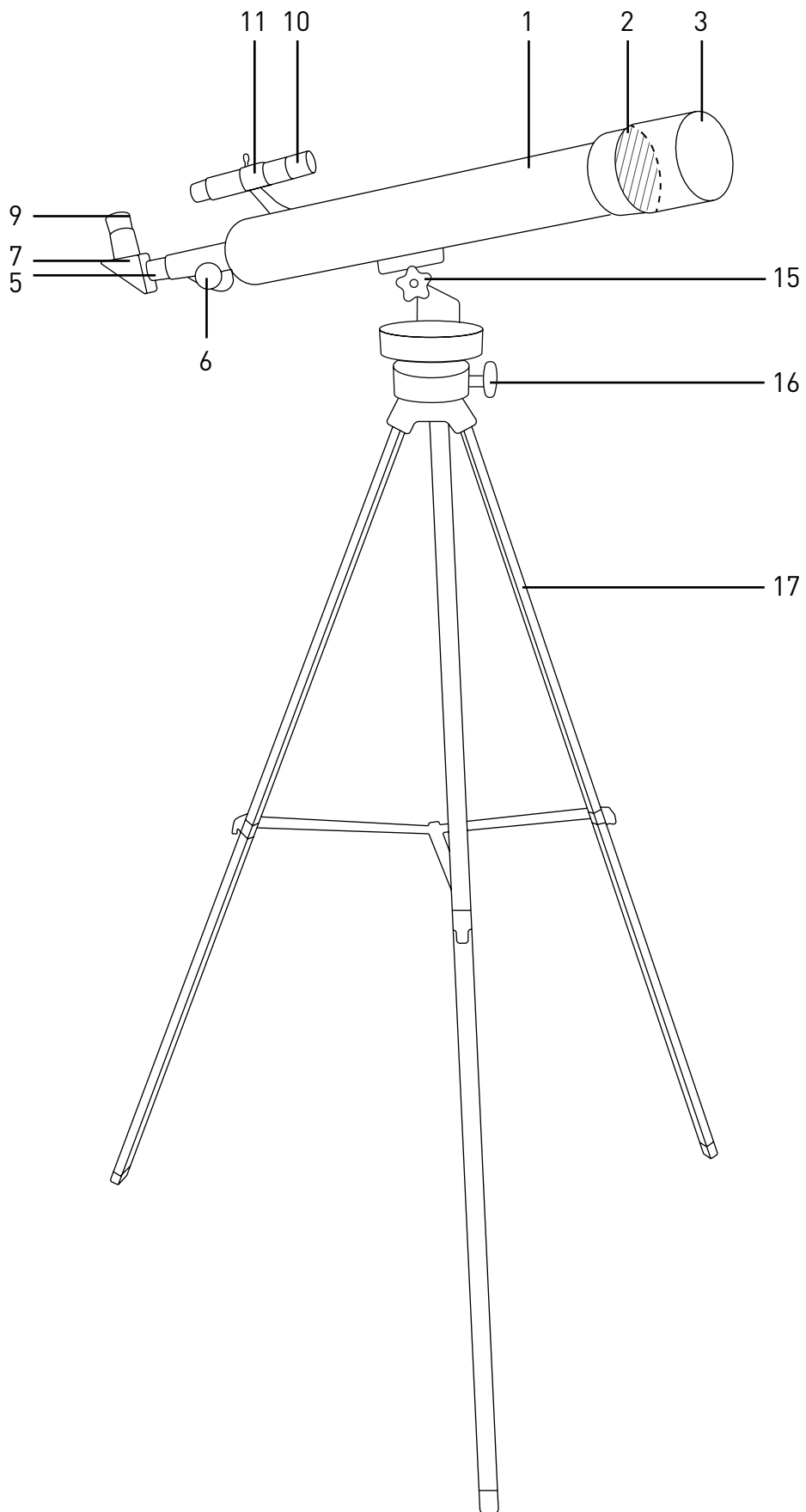


Discovery Spark AZ Telescopes

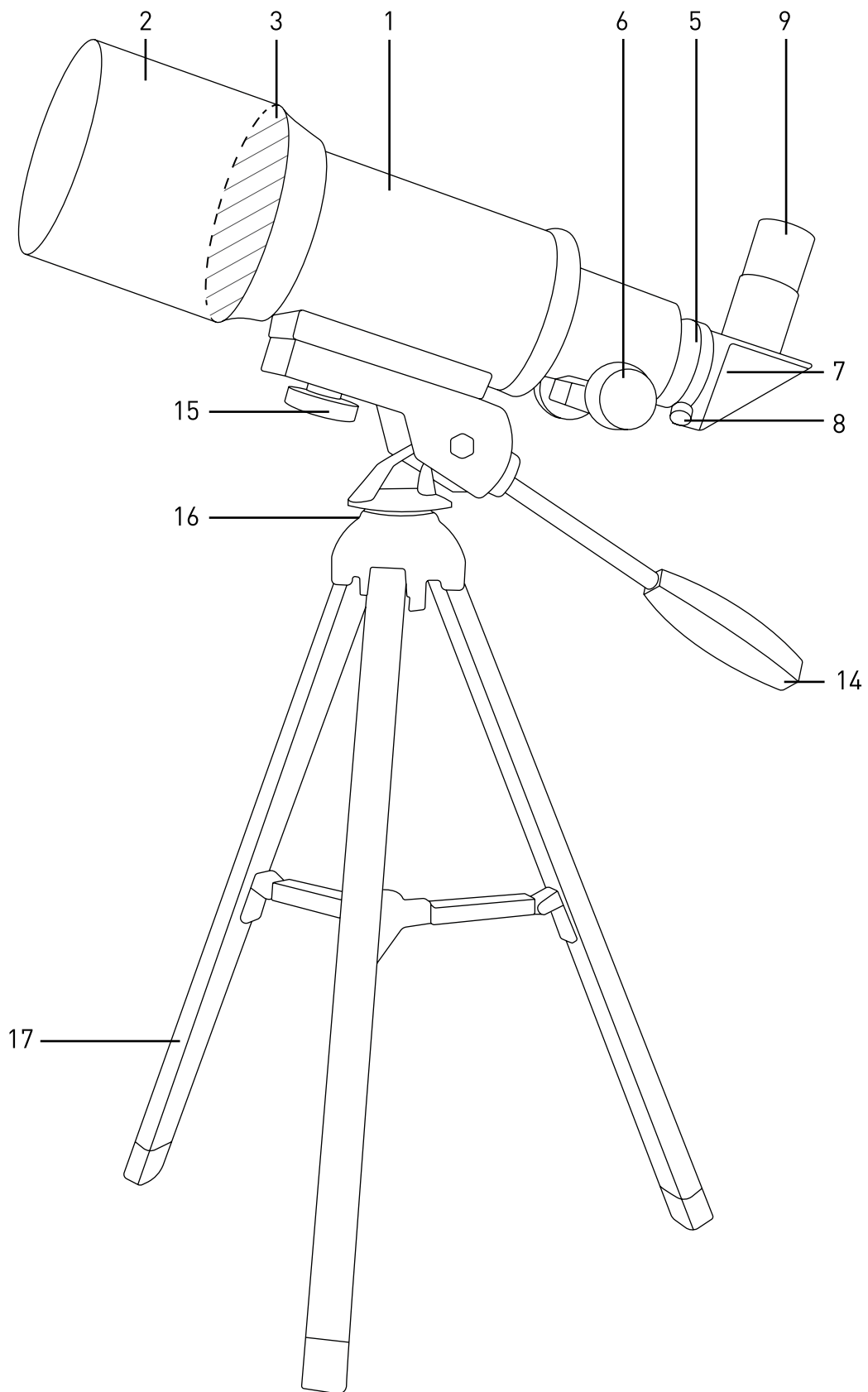
- ⓔ User Manual
- ⓑ Ръководство за потребителя
- Ⓒ Návod k použití
- ⓓ Bedienungsanleitung
- ⓔ Guía del usuario
- ⓗ Használati útmutató
- ⓔ Guida all'utilizzo
- ⓖ Instrukcja obsługi
- ⓓ Manual do usuário
- ⓓ Инструкция по эксплуатации
- ⓓ Kullanım kılavuzu

 **Discovery**

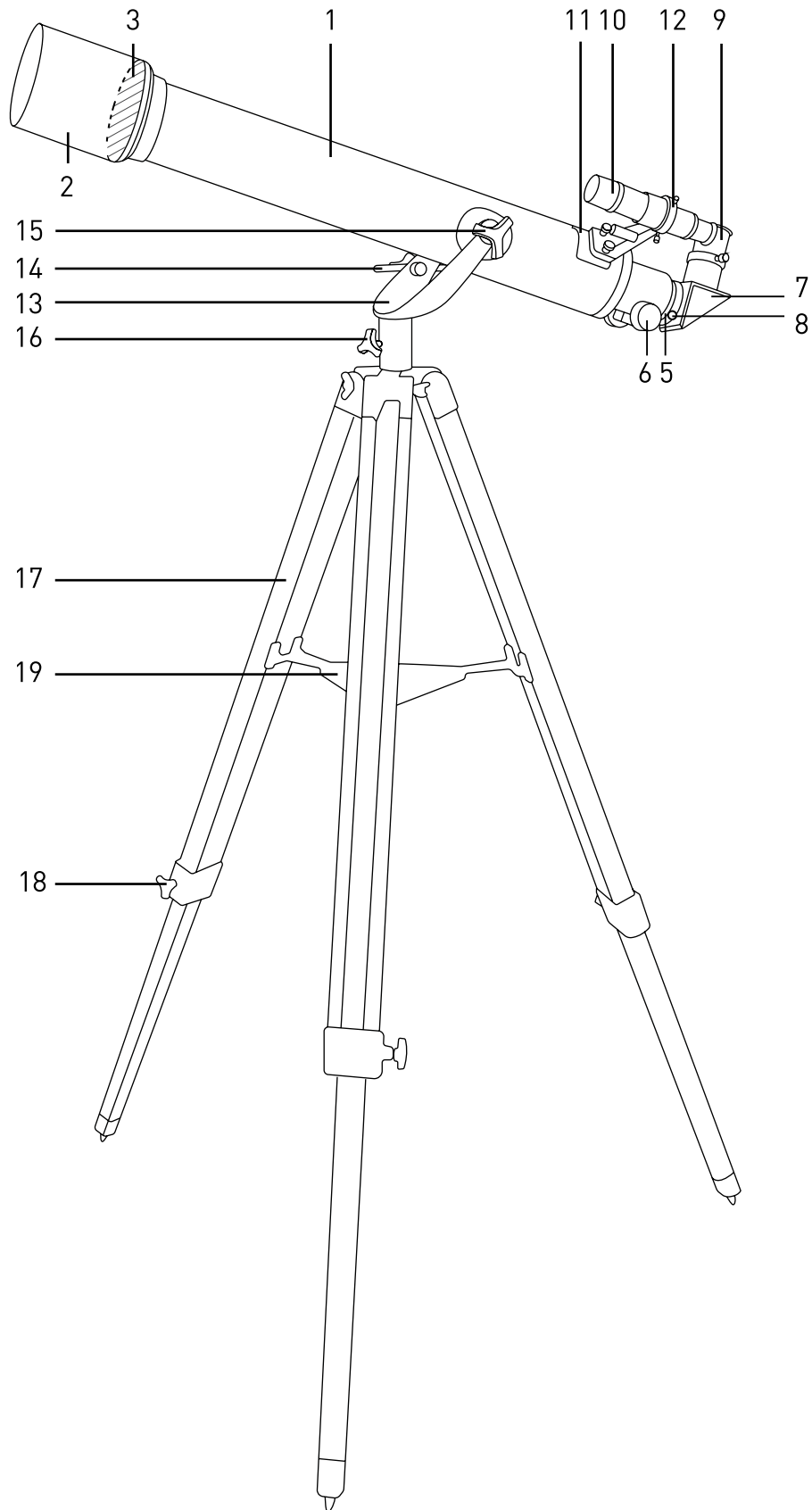




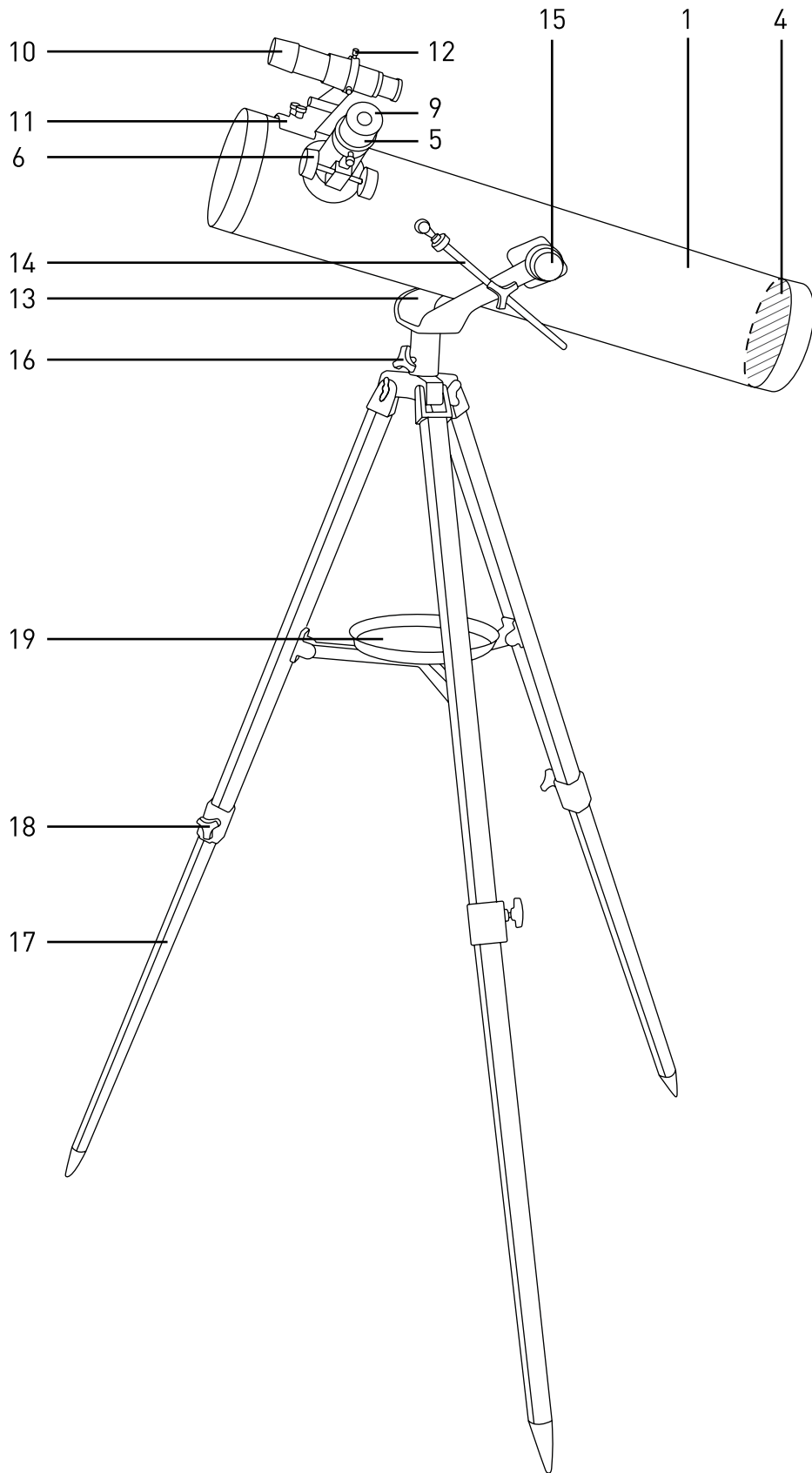
1a. Discovery Spark 506 AZ



1b. Discovery Spark 703 AZ



1c. Discovery Spark 707 AZ, Discovery Spark 607 AZ



1d. Discovery Spark 767 AZ, Discovery Spark 114 AZ

EN

1. Telescope tube
2. Dew cap
3. Objective lens
4. Primary mirror
5. Focuser
6. Focusing knob
7. Diagonal mirror
8. Diagonal mirror thumbscrew
9. Eyepiece
10. Finderscope
11. Finderscope bracket
12. Finderscope adjustment screws
13. Fork mount
14. Altitude slow-motion control
15. Altitude lock knob
16. Azimuth lock knob
17. Tripod leg
18. Tripod lock knob
19. Accessory tray

BG

1. Тръба на телескопа
2. Защитна капачка срещу роса
3. Леща на обектива
4. Главно огледало
5. Фокусиращо устройство
6. Бутон за фокусиране
7. Диагонално огледало
8. Винт с накатка на диагоналното огледало
9. Окуляр
10. Визьор
11. Скоба на визьора
12. Винтове за регулиране на визьора
13. Монтировка с вилка
14. Управление за бавно движение по височина
15. Бутон за фиксиране на надморската височина
16. Бутон за фиксиране на азимут
17. Крак на триножника
18. Бутон за фиксиране на триножника
19. Поставка за принадлежности

CZ

1. Tubus teleskopu
2. Rosnice
3. Čočka objektivu
4. Primární zrcátko
5. Okulárový výtah
6. Zaostřovací šroub
7. Diagonální zrcátko
8. Křídlatý šroub diagonálního zrcátka
9. Okulár
10. Pointační dalekohled
11. Konzola pointačního dalekohledu
12. Šrouby seřízení hledáčku
13. Vidlicová montáž
14. Jemné nastavení elevace
15. Aretační šroub nastavení elevace
16. Aretační šroub nastavení azimutu
17. Noha stativu
18. Aretační šroub stativu
19. Odkládací přihrádka pro příslušenství

DE

1. Teleskoptubus
2. Taukappe
3. Objektivlinse
4. Primärspiegel
5. Fokussierer
6. Fokussierrad
7. Zenitspiegel
8. Zenitspiegel-Rändelschraube
9. Okular
10. Sucherrohr
11. Sucherrohr-Halterung
12. Sucherteleskop-Einstellschrauben
13. Gabelmontierung
14. Höhen-Feinabstimmung
15. Höhen-Arretierung
16. Azimut-Arretierung
17. Stativbein
18. Stativ-Arretierung
19. Zubehörablage

ES

1. Tubo del telescopio
2. Protector de rocío
3. Lente del objetivo
4. Espejo principal
5. Enfocador
6. Mando de enfoque
7. Espejo diagonal
8. Tornillo de mariposa del espejo diagonal
9. Ocular
10. Buscador
11. Horquilla del buscador
12. Tornillos de ajuste del buscador
13. Montura de horquilla
14. Control de movimiento lento de altitud
15. Bloqueo de altitud
16. Bloqueo de azimut
17. Pata del trípode
18. Bloqueo de ajuste de la altura
19. Bandeja de accesorios

HU

1. Teleszkóp tubus
2. Párafogó csésze
3. Tárgylencse
4. Elsődleges tükör
5. Fókuszállító
6. Fókuszállító gomb
7. Diagonális tükör
8. A diagonális tükörhöz való, kézzel állítható csavar
9. Szemlencse
10. Keresőtávcső
11. Keresőtávcső talpazata
12. A keresőtávcső állítására szolgáló csavarok
13. Villa alakú állvány
14. Magassági lassú mozgató vezérlő
15. Magassági szorítógomb
16. Azimut szorítógomb
17. Háromlábú állvány lába
18. A háromlábú állvány szorítógombja
19. Tartozéktartó tálca

IT

1. Tubo del telescopio
2. Cappuccio anticondensa
3. Lente obiettivo
4. Specchio primario
5. Dispositivo di messa a fuoco
6. Manopola messa a fuoco
7. Specchio diagonale
8. Vite a testa alettata del diagonale a specchio
9. Oculare
10. Mirino
11. Supporto del cercatore
12. Vite di regolazione del cercatore
13. Montatura a forcella
14. Regolazione fine dell'altezza
15. Manopola di blocco dell'altezza
16. Manopola di bloccaggio azimutale
17. Gamba del treppiede
18. Manopola di blocco del treppiede
19. Ripiano per accessori

PL

1. Tubus teleskopu
2. Odrośnik
3. Soczewka obiektywowa
4. Lustro główne
5. Tubus ogniskujący
6. Pokrętko ustawiania ostrości
7. Lustro ukośne
8. Śruba radetkowana lustra diagonalnego
9. Okular
10. Luneta nastawcza
11. Wspornik lunety nastawczej
12. Śruby do regulacji lunety nastawczej
13. Montaż widłowy
14. Pokrętko mikroruchów w pionie
15. Pokrętko blokujące teleskop w pionie
16. Pokrętko blokujące teleskop w poziomie
17. Noga statywu
18. Pokrętko blokujące statyw
19. Tacka na akcesoria

PT

1. Tubo do telescópio
2. Tampa anti-humidade
3. Lente da objetiva
4. Espelho principal
5. Focalizador
6. Botão de focagem
7. Espelho diagonal
8. Parafuso do espelho diagonal
9. Ocular
10. Buscador
11. Suporte do buscador
12. Parafusos de ajuste do buscador
13. Montagem em garfo
14. Controlo de movimento lento de altitude
15. Botão de bloqueio da altitude
16. Botão de bloqueio do azimute
17. Perna do tripé
18. Botão de bloqueio do tripé
19. Tabuleiro de acessórios

RU

1. Труба телескопа
2. Бленда
3. Объектив
4. Главное зеркало
5. Фокусер
6. Ручка фокусировки
7. Диагональное зеркало
8. Фиксатор диагонального зеркала
9. Окуляр
10. Искатель
11. Крепление искателя
12. Юстировочные винты искателя
13. Хомут
14. Ручка регулировки по высоте
15. Фиксатор оси высоты
16. Фиксатор оси азимута
17. Ножка треноги
18. Фиксатор высоты ножек треноги
19. Лоток для аксессуаров

TR

1. Teleskop tüpü
2. Çiy kapağı
3. Objektif merceği
4. Birincil ayna
5. Odaklayıcı
6. Odaklama düğmesi
7. Diyagonal ayna
8. Diyagonal ayna kanatlı vidası
9. Göz merceği
10. Bulucu dürbün
11. Bulucu dürbün braketi
12. Bulucu dürbün ayar vidaları
13. Çatal kundak
14. Yükseklik yavaş hareket kumandası
15. Yükseklik kilitleme düğmesi
16. Azimut kilitleme düğmesi
17. Tripod ayağı
18. Tripod ayağı düğmesi
19. Aksesuar tepsi

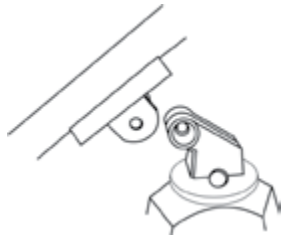
2



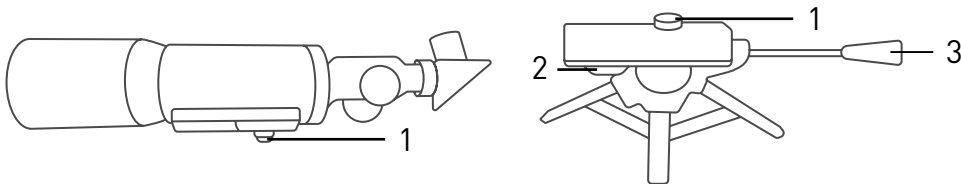
EN

1. Mounting tab
2. Knurled knob
3. Altitude slow-motion control
4. Grooved wheel

3a



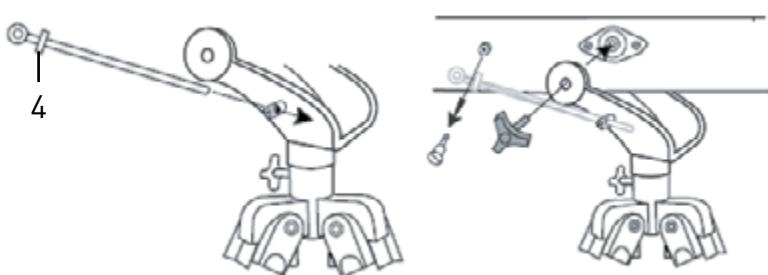
3b



BG

1. Монтажно ухо
2. Копче с накатка
3. Управление за бавно движение по височина
4. Колело с прорези

3c



CZ

1. Montážní jazýček
2. Rýhovaný šroub
3. Jemné nastavení elevace
4. Rýhované kolečko

DE

1. Befestigungsglasche
2. Rändelknopf
3. Höhen-Feinabstimmung
4. Rändelrad

(ES)

1. Pestaña de montaje
2. Rueda moleteada
3. Control de movimiento lento de altitud
4. Rueda ranurada

(HU)

1. Rögzítőlap
2. Bütökös gombot
3. Magassági lassú mozgatószervező
4. Bordás kerék

(IT)

1. Aletta di montaggio
2. Manopola zigrinata
3. Regolazione fine dell'altezza
4. Rotella zigrinata

(PL)

1. Płytką mocującą
2. Pokrętło radelkowane
3. Pokrętło mikroruchów w pionie
4. Koło rowkowane

(PT)

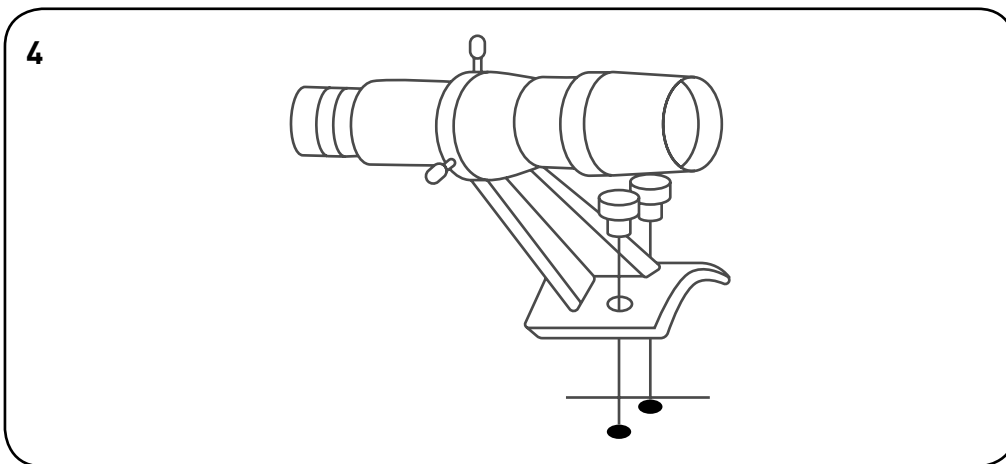
1. Aba de montagem
2. Botão serrilhado
3. Controlo de movimento lento de altitude
4. Roda com ranhuras

(RU)

1. Крепежное «ушко»
2. Рифленный винт
3. Ручка регулировки по высоте
4. Рифленое колесико

(TR)

1. Montaj tırnağı
2. Tırtıklı düğme
3. Yükseklik yavaş hareket kumandası
4. Yivli teker



(EN)

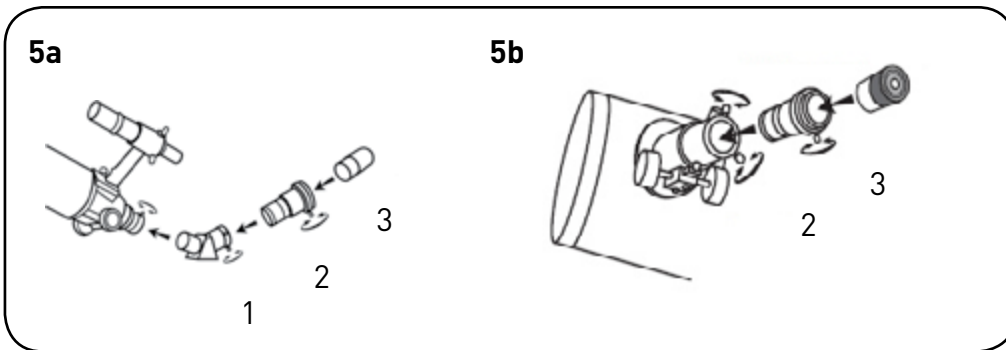
1. Diagonal mirror
2. Barlow lens
3. Eyepiece

(BG)

1. Диагонално огледало
2. Леща на Барлоу
3. Окуляр

(CZ)

1. Diagonální zrcátko
2. Barlowova čočka
3. Okulár



(DE)

1. Zenitspiegel
2. Barlow-Linse
3. Okular

(ES)

1. Espejo diagonal
2. Lente de Barlow
3. Ocular

(HU)

1. Diagonális tükör
2. Barlow-lencse
3. Szemlencse

(IT)

1. Specchio diagonale
2. Lente di Barlow
3. Oculare

(PL)

1. Lustro ukośne
2. Soczewka Barlowa
3. Okular

(PT)

1. Espelho diagonal
2. Lente de Barlow
3. Ocular

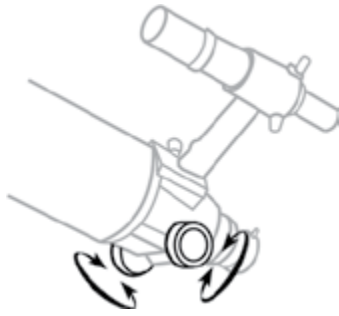
(RU)

1. Диагональное зеркало
2. Линза Барлоу
3. Окуляр

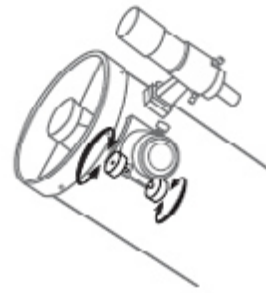
(TR)

1. Diyagonal ayna
2. Barlow merceği
3. Göz merceği

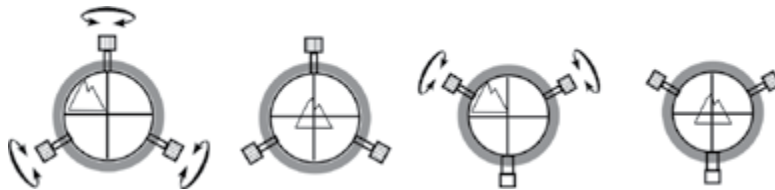
6a



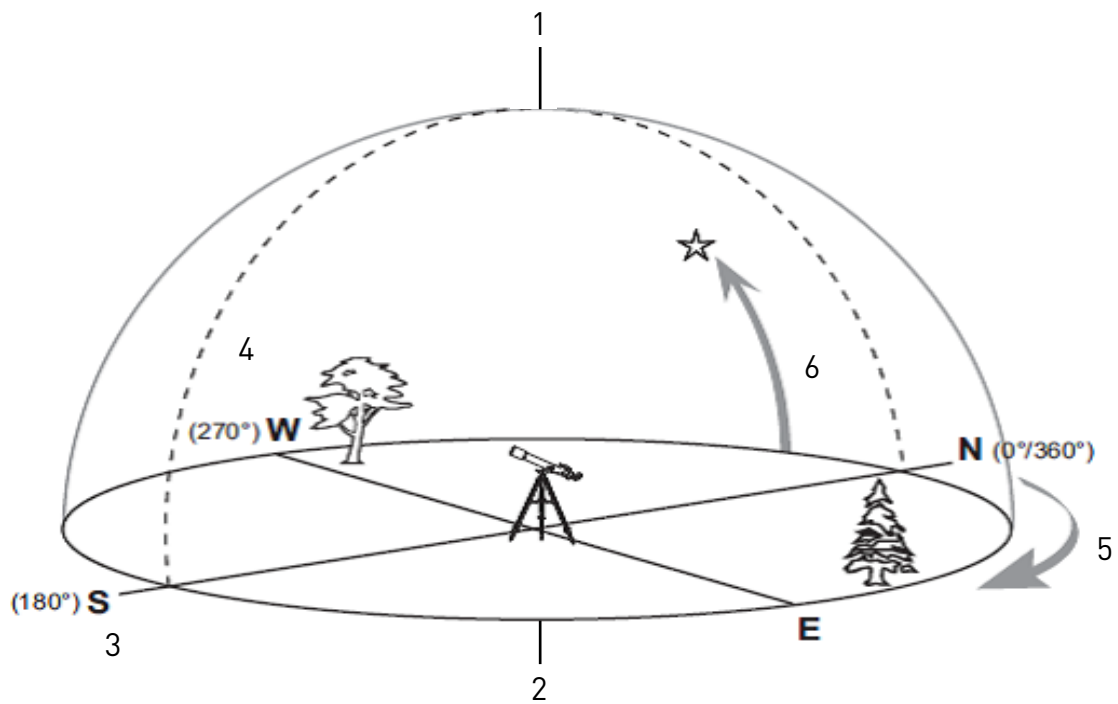
6b



7



8



EN

1. Zenith
2. Nadir
3. N E S W
4. Meridian line
5. Rotation around the azimuth axis
6. Latitude

BG

1. Зенит
2. Надир
3. С И Ю З
4. Линия на меридиана
5. Въртене около азимуталната ос
6. Географска ширина

CZ

1. Zenit
2. Nadir
3. S V J Z
4. Poledník
5. Otáčení kolem azimutální osy
6. Zeměpisná šířka

DE

1. Zenit
2. Nadir
3. N O S W
4. Meridianlinie
5. Azimut
6. Breite

ES

1. Cénit
2. Nadir
3. N E S O
4. Línea del meridiano
5. Rotación alrededor del eje azimutal
6. Latitud

HU

1. Zenit
2. Nadír
3. É K D NY
4. Meridián vonal
5. Forgatás azimut tengely körül
6. Kiterjedés

IT

1. Zenit
2. Nadir
3. N E S O
4. Meridiano celeste
5. Rotazione sull'asse azimutale
6. Latitudine

PL

1. Zenit
2. Nadir
3. N E S W
4. Potudnik niebieski
5. Obrót wokół osi azymutalnej
6. Szerokość

PT

1. Zénite
2. Nadir
3. N E S W
4. Linha de meridiano
5. Rotação em volta do eixo do azimute
6. Latitude

RU

1. Зенит
2. Надир
3. С В Ю З
4. Линия меридиана
5. Вращение по азимуту
6. Широта

TR

1. Zenit
2. Nadir
3. N E S W
4. Meridyen çizgisi
5. Azimut ekseninde dönüş
6. Enlem



CAUTION! Never look directly at the Sun — even for an instant — through your telescope or finderscope without a professionally made solar filter that completely covers the front of the instrument, or permanent eye damage may result. To avoid damage to the internal parts of your telescope, make sure the front end of the finderscope is covered with aluminum foil or another non-transparent material. Children should use the telescope under adult supervision only.

All parts of the telescope will arrive in one box. Be careful when unpacking it. We recommend keeping the original shipping containers. In the event that the telescope needs to be shipped to another location, having the proper shipping containers will help ensure that your telescope survives the journey intact. Be sure to check the box carefully, as some parts are small. All screws should be tightened securely to eliminate flexing and wobbling, but be careful not to overtighten them, as that may strip the threads.

During assembly (and anytime, for that matter), do not touch the surfaces of the optical elements with your fingers. The optical surfaces have delicate coatings on them that can easily be damaged if touched. Never remove lenses or mirrors from their housing, or the product warranty will be null and void.

Tripod assembly

- Slowly loosen the tripod locking knobs and gently pull out the lower section of each tripod leg. Tighten the screws to hold the legs in place (except for Discovery Spark 703 AZ) (fig. 2).
- Spread the tripod legs apart to stand the tripod upright.
- Adjust the height of each tripod leg until the tripod head is properly leveled. Note that the tripod legs may not be the same length when the mount is leveled (except for Discovery Spark 703 AZ).
- Place the accessory tray on top of the bracket, and secure it with thumbscrews from underneath or secure the accessory tray with one screw in the middle of the tray (except for Discovery Spark 506 AZ, Discovery Spark 703 AZ).

Mount assembly

Mount without a fork (fig. 3a):

- Remove the altitude lock knob from the mount head.
- Place the telescope optical tube on the altazimuth mount so that the hole in the optical tube lines up with the hole in the mount head.
- Insert the altitude lock knob through the mount head and optical tube. Make sure the hole is clear all the way through before tightening the knob. Secure the altitude lock knob.

Mount without a fork (fig. 3b):

- The telescope tube has a mounting tab on its underside. Place this tab into the slot on the tripod top.
- Tighten the knurled knob on the tripod head to attach the tube onto the tripod.
- Screw the altitude slow-motion control into the threaded socket at the rear of the mount.

Fork mount (fig. 3c):

- Remove the locking screw from the slow-motion control rod.
- Insert the rod into the hole on the side of the fork mount.
- Place the telescope tube between fork arms so that holes on the tube match the arm holes. Fasten the telescope tube to the mount with thumbscrews.
- Fasten the other end of the rod to the telescope tube by inserting the screw through shaft and tube holes and tightening it.

Optical accessories assembly

Your telescope can be equipped with additional accessories, such as eyepieces, diagonal mirror or prism, or a Barlow lens. The accessories should be installed in well-defined ordering.

Refractors (fig. 1a, 1b, 1c): Loosen the focuser thumbscrew. Insert the diagonal mirror into the focuser tube and retighten the thumbscrew to hold the diagonal mirror in place (fig. 5a). Then, insert the desired eyepiece into the diagonal mirror and secure it by retightening the thumbscrew. If a Barlow lens is needed, install it between the diagonal mirror and the eyepiece. You can use the erecting eyepiece to get a direct image.

Reflectors (fig. 1d): Loosen the focuser thumbscrew and take off the plastic cap from the focuser tube. Insert the selected eyepiece and secure it by retightening the thumbscrew (fig. 5b). If a Barlow lens is needed, install it between the focuser and the eyepiece.

Barlow lens

A Barlow lens increases the magnifying power of an eyepiece, while reducing the field of view. It expands the cone of the focused light before it reaches the focal point, so that the telescope's focal length appears longer to the eyepiece. In addition to increasing magnification, the benefits of using a Barlow lens include improved eye relief, and reduced spherical aberration of the eyepiece. For this reason, a Barlow plus a lens often outperform a single lens producing the

same magnification. And the best advantage is that a Barlow lens can potentially double the number of eyepieces in your collection.

Optical finderscope assembly and alignment

Unthread two screws in the back of the telescope tube. Place the finderscope base above the holes on the tube. Lock the finderscope base into position by tightening the screws (fig. 4).

Optical finderscopes are very useful accessories. When they are correctly aligned with the telescope, objects can be quickly located and brought to the center of the view. Turn the scope end in and out to adjust focus (fig. 7).

To align the finderscope, choose a distant object that is at least 550 yards (500 meters) away and point the telescope at the object. Adjust the telescope so that the object is in the center of the view in your eyepiece. Check the finderscope to see if the object is also centered on the crosshairs. Use three adjustment screws to center the finderscope crosshairs on the object.

Focusing

Slowly rotate the focus knobs one way or the other until the image in the eyepiece is sharp. The image usually has to be finely refocused over time due to small variations caused by temperature changes, flexures, etc. Refocusing is almost always necessary when you change an eyepiece, add or remove a Barlow lens (refractor 6a, reflector 6b).

Operating the mount

The AZ mount is an alt-azimuth mount that allows you to rotate the telescope about the vertical and horizontal axes and change its altitude and azimuth. To adjust the azimuth, loosen the big locking knob under the mount base and rotate the tube left or right about the axis then retighten it. Tighten the altitude slow-motion control for more precise height adjustment. Then, rotate the knurled wheel on the altitude slow-motion control rod.

For more precise motions use the altitude slow-motion control. Due to Earth's movement, the objects will be constantly shifting out of your view, so you will have to adjust the altitude and azimuth of your telescope to continue your observations.

Reference materials usually list declination coordinates in degrees, hours and minutes above or below the horizon line. Azimuth coordinates may sometimes be listed with the compass points (N, SW, ENE, etc.), but it is more commonly listed in degrees around the 360-deg plane, where north is 0°, east is 90°, etc. (fig. 8).

Specifications

	Discovery Spark 506 AZ	Discovery Spark 607 AZ	Discovery Spark 703 AZ	Discovery Spark 707 AZ	Discovery Spark 767 AZ	Discovery Spark 114 AZ
Optical design	refractor				Newtonian reflector	
Optics material	optical glass with anti-reflective coating					
Aperture, mm	50	60	70	70	76	114
Focal length, mm	600	700	300	700	700	900
Highest practical power, x	100	120	140	140	152	228
Focal ratio	f/12	f/11.6	f/4	f/10	f/9	f/7.9
Tube material	metal					
Mount	azimuth (AZ)					
Eyepiece barrel diameter	0.965"	0.965"	0.965"	1.25"	0.965"	1.25"
Tripod	aluminum, 630—1130mm	aluminum, 600—1000mm	aluminum, 350mm	aluminum, 670—1230mm	aluminum, 600—1000mm	aluminum, 670—1230mm
Accessory tray	–	+	–	+	+	+
Finderscope	5x24, optical	5x24, optical	–	5x24, optical	5x24, optical	6x30, optical
Eyepieces	6mm 20mm	4mm 12.5mm 20mm	6mm 20mm	4mm 12.5mm 20mm	4mm 12.5mm 20mm	4mm 12.5mm 20mm
Diagonal mirror	90°	90°	90°	90°	–	–
Barlow lens	3x	3x	3x	3x	2x	2x
Erecting eyepiece	–	1.5x	1.5x	1.5x	–	–

The manufacturer reserves the right to make changes to the product range and specifications without prior notice.

Care and maintenance

- **Never, under any circumstances, look directly at the Sun through this device without a special filter, or look at another bright source of light or at a laser, as it may cause PERMANENT RETINAL DAMAGE and may lead to BLINDNESS.**
 - Take the necessary precautions when using the device with children or others who have not read or who do not fully understand these instructions.
 - Do not try to disassemble the device on your own for any reason. For repairs and cleaning of any kind, please contact your local specialized service center.
 - Stop using the device if the lens fogs up. Do not wipe the lens! Remove moisture with a hair dryer or point the telescope downward until the moisture naturally evaporates.
 - Protect the device from sudden impact and excessive mechanical force.
 - Do not touch the optical surfaces with your fingers. Clean the lens surface with compressed air or a soft lens cleaning wipe. To clean the device exterior, use only the special cleaning wipes and special tools that are recommended for cleaning the optics.
 - Store the device in a dry, cool place away from hazardous acids and other chemicals, away from heaters, open fire, and other sources of high temperatures.
 - Replace the dust cap over the front end of the telescope whenever it is not in use. Always put eyepieces in protective cases and cover them with caps. This prevents dust or dirt from settling on the mirror or lens surfaces.
 - Lubricate the mechanical components with metal and plastic connecting parts. Components to be lubricated:
 - Optical tube;
 - Fine mechanics (focuser rail, telescope optical tube microfocuser);
 - Mounting;
 - Worm-and-worm pairs, bearings, cogs, threaded mounting gears.
- Use all-purpose silicon-based greases with an operating temperature range of $-60 \dots +180^{\circ}\text{C}$ ($-76 \dots +356^{\circ}\text{F}$).
- If a part of the device or battery is swallowed, seek medical attention immediately.
 - **Children should use the device under adult supervision only.**

Levenhuk Warranty

Levenhuk products, except for their accessories, carry a **10-year warranty** against defects in materials and workmanship. All Levenhuk accessories are warranted to be free of defects in materials and workmanship for **six months** from the purchase date. The warranty entitles you to the free repair or replacement of the Levenhuk product in any country where a Levenhuk office is located if all the warranty conditions are met.

For further details please visit: www.levenhuk.com/warranty

If warranty problems arise, or if you need assistance in using your product, contact the local Levenhuk branch.



ВНИМАНИЕ! Никога не гледайте директно към Слънцето, дори за миг, през Вашия телескоп или визьор без професионално изработен соларен филтър, който покрива изцяло предната част на инструмента, понеже може да се получи невъзвратно увреждане на очите. За да избегнете повреда на вътрешните части на Вашия телескоп, се погрижете предният край на визьора да бъде покрит с алуминиево фолио или друг непрозрачен материал. Децата трябва да използват телескопа само под надзора на възрастни.

Всички части на телескопа се получават в една кутия. Внимавайте, когато го разопаковате. Запазете оригиналната транспортна опаковка; Вие ще се нуждаете от нея, ако трябва да изпратите телескопа до сервизния център. Проверете внимателно кутията, понеже някои от частите са малки. Всички винтове трябва да бъдат затегнати здраво, за да се избегнат огъване и разклащане, но внимавайте да не ги затегнете прекомерно, тъй като това може да доведе до скъсване на резбите.

По време на сглобяването (и не само тогава) не докосвайте повърхностите на оптичните елементи с пръсти си. Оптичните повърхности са с чувствително покритие, което може да се повреди лесно при докосване. Никога не демонтирайте лещите от корпуса им, понеже това ще направи гаранцията на продукта невалидна.

Сглобяване на триножника

- Разхлабете внимателно застопоряващите бутони на триножника и издърпайте внимателно долната секция на всеки от краката на триножника. Затегнете винтовете, за да застопорите краката (с изключение на Discovery Spark 703 AZ) (фиг. 2).
- Отдалечете краката на триножника, за да се разположи триножникът във вертикално положение.
- Регулирайте височината на всеки от краката на триножника, докато главата на триножника е правилно нивелирана. Имайте предвид, че краката на триножника може да не са с еднаква дължина, когато монтировката е нивелирана (с изключение на Discovery Spark 703 AZ).
- Поставете поставката за принадлежности върху скобата и я закрепете отдолу с винтовете с глава с накатка или закрепете поставката за принадлежности с един винт в средата на поставката (с изключение на Discovery Spark 506 AZ, Discovery Spark 703 AZ).

Сглобяване на монтировката

Монтировка без вилка (фиг. 3a):

- Отстранете бутона за фиксиране на надморската височина от главата на монтировката.
- Поставете оптичната тръба на телескопа върху азимуталната монтировка по такъв начин, че отворът в оптичната тръба да се подравни с отвора в главата на монтировката.
- Вкарайте бутона за фиксиране на надморската височина през главата на монтировката и оптичната тръба. Уверете се, че отворът е свободен по цялата си дължина, преди да затегнете бутона. Застопорете бутона за фиксиране на надморската височина.

Монтировка без вилка (фиг. 3b):

- От долната страна на тръбата на телескопа има монтажно ухо. Поставете това ухо в гнездото в горната част на триножника.
- Затегнете копчето с накатка на главата на триножника, за да закрепите тръбата върху триножника.
- Завинтете рамото за управление в гнездото с резба върху задната част на монтировката.

Монтировка с вилка (фиг. 3c):

- Демонтирайте заключващия винт от пръта за управлението за бавно движение.
- Вкарайте пръта в отвора отстрани на монтировката с вилка.
- Поставете тръбата на телескопа между рамената на вилката, така че отворите на тръбата да съвпадат с отворите в рамената. Закрепете тръбата на телескопа към монтировката с винтове с глава с накатка.
- Закрепете другия край на пръта към тръбата на телескопа, като вкарете винта през отворите на вала и на тръбата и го затегнете.

Сглобяване на оптични принадлежности

Вашият телескоп може да бъде оборудван с допълнителни принадлежности, като окуляри, диагонално огледало или призма, или леща на Барлоу. Принадлежностите трябва да се монтират в точно определена последователност.

Рефракторни телескопи (фиг. 1a, 1b, 1c): Развийте винта с глава с накатка на фокусиращото устройство. Вкарайте диагоналното огледало в тръбата на фокусиращото устройство и затегнете отново винта с глава с накатка, за да задържите диагоналното огледало на място (фиг. 5a). След това поставете желанния окуляр в диагоналното огледало и го застопорете, като затегнете отново винта с глава с накатка. Ако е необходима леща на Барлоу, монтирайте я между диагоналното огледало и окуляра. Можете да използвате изваждащия се окуляр, за да получите директно изображение.

Рефлекторни телескопи (фиг. 1d): Развийте винта с глава с накатка на фокусиращото устройство и махнете пластмасовата капачка от тръбата на фокусиращото устройство. Вкарайте избрания окуляр и го застопорете, като затегнете отново винта с глава с накатка (фиг. 5b). Ако е необходима леща на Барлоу, монтирайте я между фокусиращото устройство и окуляра.

Леща на Барлоу

Лещата на Барлоу повишава увеличението на окуляра, но намалява зрителното поле. Тя удължава конуса на фокусираната светлина, преди тя да достигне точката на фокусиране, така че фокусното разстояние на телескопа става по-дълго за окуляра. Освен, че повишава увеличението, ползите от използването на леща на Барлоу включват подобро разстояние от очите и намалена сферична аберация на окуляра. По тази причина добавянето на леща на Барлоу често превъзхожда обикновена леща със същото увеличение. А най-голямото предимство е, че е възможно лещата на Барлоу да удвои броя на окулярите във вашата колекция.

Сглобяване и подравняване на оптичен визьор

Развийте двата винта на гърба на тръбата на телескопа. Поставете основата на визьора над отворите върху тръбата. Фиксирайте основата на визьора на място чрез затягане на винтовете (фиг. 4).

Оптичните визьори са много полезни принадлежности. Когато те са правилно подравнени с телескопа, обектите могат да се намират бързо и да се разполагат в средата на полето на обзор. Въртете края на визьора навътре и навън, за да регулирате фокуса.

За да подравните визьора, изберете отдалечен обект, който е най-малко на 500 метра от Вас, и насочете телескопа към него. Регулирайте телескопа по такъв начин, че обектът да се намира в средата на полето на обзор на окуляра. Погледнете през визьора, за да видите дали обектът е центриран също и върху кръстосаната решетка. Използвайте трите регулиращи винта, за да центрирате кръстосаната решетка на визьора върху обекта (фиг. 7).

Фокусиране

Въртете бавно бутон за фокусиране в едната или в другата посока, докато изображението в окуляра стане отчетливо. Обикновено фокусът на изображението трябва да се коригира във времето поради малките изменения, вследствие на промяната на температурата, огъване и т.н. Кориране на фокуса се налага почти винаги при смяна на окуляр, поставяне или махане на леща на Барлоу (рефракторен телескоп 6a, рефлекторен телескоп 6b).

Управление на монтировката

Монтировката AZ е азимутална монтировка, която Ви позволява да въртите телескопа около вертикалната и хоризонталната ос и да променят неговата височина и азимут. За да регулирате азимута, развийте големия заключващ бутон под основата на монтировката и въртете тръбата наляво или надясно около оста, след това я затегнете отново. Затегнете управлението за бавно движение за надморската височина за още по-прецизно регулиране на височината. След това завъртете назъбеното колело на пръта на управлението за бавно движение за надморската височина.

За по-прецизни движения използвайте управлението за бавно движение по височина. Поради въртенето на Земята обектите ще се изместват постоянно извън Вашето зрително поле, така че ще трябва да регулирате височината и азимута на Вашия телескоп, за да продължите наблюденията си.

Референтните материали обикновено посочват координатите на деклинацията в градуси, часове и минути над или под линията на хоризонта. Понякога азимуталните координати могат да се посочват чрез точките на компаса (С, ЮЗ, ИСИ и т.н.), но най-често се посочват в градуси в 360-градусова равнина, където север е 0°, изток е 90° и т.н. (фиг. 8).

Спецификации

	Discovery Spark 506 AZ	Discovery Spark 607 AZ	Discovery Spark 703 AZ	Discovery Spark 707 AZ	Discovery Spark 767 AZ	Discovery Spark 114 AZ
Оптична конструкция	рефракторен телескоп				Нютонов рефлекторен телескоп	
Материал на оптиката	оптично стъкло с антирефлексно покритие					
Апертура, mm	50	60	70	70	76	114
Фокусно разстояние, mm	600	700	300	700	700	900
Най-голямо практическо увеличение, x	100	120	140	140	152	228
Фокусно отношение	f/12	f/11,6	f/4	f/10	f/9	f/7,9
Материал на тръбата	метал					

Монтировка	азимут (AZ)					
Диаметър на тръбата на окуляра	0,965"	0,965"	0,965"	1,25"	0,965"	1,25"
Триножник	от алуминий, 630—1130 mm	от алуминий, 600—1000 mm	от алуминий, 350 mm	от алуминий, 670—1230 mm	от алуминий, 600—1000 mm	от алуминий, 670—1230 mm
Поставка за принадлежност	-	+	-	+	+	+
Визьор	5x24, оптичен	5x24, оптичен	-	5x24, оптичен	5x24, оптичен	6x30, оптичен
Окуляри	6 mm 20 mm	4 mm 12,5 mm 20 mm	6 mm 20 mm	4 mm 12,5 mm 20 mm	4 mm 12,5 mm 20 mm	4 mm 12,5 mm 20 mm
Диagonalно огледало	90°	90°	90°	90°	-	-
Леща на Барлоу	3x	3x	3x	3x	2x	2x
Изваждащ се окуляр	-	1,5x	1,5x	1,5x	-	-

Производителят си запазва правото да прави промени на гамата продукти и спецификациите им без предварително уведомление.

Грижи и поддръжка

- Никога, при никакви обстоятелства, не гледайте директно към Слънцето през това устройство без специален филтър и не гледайте в друг ярък източник на светлина или лазер, тъй като това може да причини **НЕВЪЗВРАТИМО УВРЕЖДАНЕ НА РЕТИНАТА** и може да доведе до **СЛЕПОТА**.
- Предприемете необходимите превантивни мерки при използване на това устройство от деца или други лица, които не са прочели или които не са разбрали напълно тези инструкции.
- Не се опитвайте да разглобявате устройството сами по никаква причина. За ремонти и почистване, моля, обръщайте се към местния специализиран сервизен център.
- Спрете да използвате устройството, ако лещата се замъглява. Не забърсвайте лещата! Отстранете влагата със сешоар или насочете телескопа надолу, докато влагата не се отстрани по естествен начин.
- Предпазвайте устройството от внезапни удари и прекомерна механична сила.
- Не пипайте оптичните повърхности с пръсти. Почистете повърхността на лещата със сгъстен въздух или мека кърпа за почистване на лещи. За почистване на устройството отвън използвайте само специални кърпички и специални инструменти, препоръчани за почистване на оптика.
- Съхранявайте устройството на сухо и хладно място, далеч от опасни киселини и други химикали, далеч от отоплителни уреди, открит огън и други източници на високи температури.
- Поставяйте капачката против прах върху предния край на телескопа всеки път, когато не го използвате. Винаги поставяйте окулярите в защитните калъфи и ги покривайте с капачките. Това предотвратява наслагването на прах и замърсявания върху повърхностите на огледалото и лещата.
- Лубрикирайте механичните компоненти с метални и пластмасови свързващи части. Компоненти, които трябва да се лубрикират:
 - Оптична тръба;
 - Фина механика (рейка на фокусиращото устройство, микрофокусиращо устройство на оптичната тръба на телескопа);
 - Монтировка;
 - Червячни предавки, лагери, зъбци, монтажни зъбни колела с резба.

Използвайте универсални греси на силиконова основа с работен обхват на температурата от -60 до +180°C.

- Ако някоя част от устройството или батерията бъдат погълнати, незабавно потърсете медицинска помощ.
- **Децата трябва да използват телескопа само под надзора на възрастни.**

Гаранция на Levenhuk

Продуктите Levenhuk, с изключение на аксесоарите, имат **10-годишна гаранция** срещу дефекти в материалите и изработката. За всички принадлежности на Levenhuk се предоставя гаранция за липса на дефекти на материалите и изработката за период от **2 години** от датата на покупката на дребно. Гаранцията Ви дава право на безплатен ремонт или замяна на продукта на Levenhuk във всяка държава, в която има офис на Levenhuk, ако са изпълнени всички условия за гаранцията.

За допълнителна информация посетете нашия уебсайт: www.levenhuk.bg/garantsiya

Ако възникнат проблеми с гаранцията или ако се нуждаете от помощ за използването на Вашия продукт, свържете се с местния представител на Levenhuk.



VÝSTRAHA! Nikdy — ani na okamžik — se přes teleskop nebo pointační dalekohled (hledáček) nedívejte přímo do slunce, aniž byste použili odborně vyrobený solární filtr, který bude zcela překrývat objektiv přístroje. Nedodržáním tohoto pokynu se vystavujete nebezpečí trvalého poškození zraku. Abyste zabránili poškození vnitřních součástí svého teleskopu, zakryjte čelní stranu pointačního dalekohledu (hledáčku) hliníkovou fólií nebo jiným neprůhledným materiálem. Děti by měly teleskop používat pouze pod dohledem dospělé osoby.

Všechny součásti teleskopu jsou dodávány v jediné krabici. Při jejím vybalování postupujte opatrně.

Doporučujeme vám uschovat si originální přepravní obaly. V případě, že bude potřeba teleskop přepravit do jiného místa, mohou správné přepravní obaly pomoci předejít poškození teleskopu při přepravě. Obsah důkladně zkontrolujte, neboť některé součásti jsou malé. Abyste vyloučili deformace a viklání, musejí být všechny šrouby pevně utaženy, ale dbejte na to, abyste je nepřetáhli, neboť může dojít ke stržení závitů.

Během montáže (ani nikdy jindy) se svými prsty nedotýkejte povrchu optických součástí. Povrchy optických prvků jsou potaženy speciální choulostivou vrstvou, kterou lze při doteku snadno poškodit. Čočky ani zrcadla nikdy nevyjímejte z jejich pouzdra; nedodržení tohoto pokynu má za následek neplatnost záruky.

Montáž stativu

- Pomalu uvolněte aretační šrouby stativu a opatrně vysuňte spodní část každé nohy stativu. Utažením šroubů nohy zafixujte v nastavené poloze (kromě Discovery Spark 703 AZ) (obr. 2).
- Nohy stativu roztáhněte tak, aby bylo stativ možno vzpřímeně postavit.
- Upravte výšku jednotlivých nohou stativu tak, aby byla jeho hlava správně horizontálně vyvážená. Nohy stativu nemusí mít při správně vyrovnané montáži stejnou délku (Discovery Spark 703 AZ).
- Umístěte odkládací přihrádku na příslušenství na horní část konzoly a připevněte ji zespodu pomocí křídlatých matic nebo přihrádku zajistěte pomocí jednoho šroubu uprostřed přihrádky (kromě Discovery Spark 506 AZ, Discovery Spark 703 AZ).

Sestavení montáže

Montáž bez vidlice (obr. 3a):

- Odšroubujte pojistný šroub elevace z hlavice montáže.
- Uložte optický tubus teleskopu na azimutální montáž tak, aby otvor v optickém tubusu lícoval s otvorem v hlavici montáže.
- Pojistný šroub elevace zasuňte přes hlavici montáže a optický tubus (před utažením šroubu zajistěte, aby byla kompletní cesta šroubu bez překážek). Pojistný šroub elevace utáhněte tak, aby byl tubus upevněn.

Montáž bez vidlice (obr. 3b):

- Tubus teleskopu má na spodní straně montážní jazýček. Tento jazýček vložte do drážky na horní části stativu.
- Utáhněte rýhovaný šroub na hlavici stativu, aby se tubus upevnil na stativu.
- Našroubujte ovládací rameno do závitové zdířky na zadní straně montáže.

Modely s vidlicovou montáží (obr. 3c):

- Z ovládací tyče jemného nastavení odstraňte pojistný šroub.
- Tyč vložte do otvoru na straně vidlicové montáže.
- Tubus teleskopu vložte mezi ramena vidlice tak, aby otvory na tubusu lícovaly s otvory v rameni. Pomocí křídlatých šroubů připevněte tubus teleskopu k montáži.
- Druhý konec tyče připevněte k tubusu teleskopu tak, že přes otvory v hřídeli a tubusu zasunete šroub a utáhnete jej.

Sestava optického příslušenství

Váš teleskop můžete vybavit doplňkovým příslušenstvím, jako je například okulár, diagonální zrcátko, hranol nebo Barlowova čočka. Příslušenství by mělo být instalováno dle přesně stanoveného postupu.

Refraktory (obr. 1a, 1b, 1c): Uvolněte křídlatou matici okulárového výtahu. Do tubusu okulárového výtahu vložte diagonální zrcátko, křídlatou matici opět utáhněte, a upevněte tak diagonální zrcátko ve správné poloze (obr. 5a). Následně do diagonálního zrcátka zasuňte požadovaný okulár a zajistěte jej utažením křídlaté matice. Pokud je nutné použít Barlowovu čočku, instalujte ji mezi diagonální zrcadlo a okulár. K zachycení přímého obrazu můžete použít kolmý okulár.

Reflektory (obr. 1d): Uvolněte křídlatou matici okulárového výtahu a sejměte plastovou krytku z tubusu okulárového výtahu. Vložte požadovaný okulár a zajistěte jej zpětným utažením křídlatých šroubů (obr. 5b). Pokud je nutné použít Barlowovu čočku, instalujte ji mezi okulárový výtah a okulár.

Barlowova čočka

Barlowova čočka zvyšuje zvětšení okuláru a zároveň zmenšuje zorné pole. Kromě vyššího zvětšení jsou dalšími výhodami Barlowovy čočky lepší oční reliéf a menší sférická aberace okuláru. Jejím největším přínosem je to, že může potenciálně zdvojnásobit počet okulárů ve vaší sbírce.

Montáž a seřízení pointačního dalekohledu

Vyvlékněte dva šrouby v zadní části tubusu teleskopu. Patici pointačního dalekohledu umístěte nad otvory v tubusu. Utažením šroubů upevněte patici pointačního dalekohledu do správné polohy (obr. 4).

Optické pointační dalekohledy jsou velmi užitečné příslušenství. Při správném seřízení vzhledem k teleskopu lze jimi rychle lokalizovat objekty na obloze a umístit je do středu zorného pole. Seřizování se provádí ve venkovním prostředí za denního světla, kdy se objekty snadněji lokalizují. Nejprve pointační dalekohled doostřete (je-li to potřeba).

Při seřizování pointačního dalekohledu si vyberte objekt ve vzdálenosti nejméně 500 m a namiřte na něj teleskop. Teleskop nastavte tak, aby byl objekt ve středu zorného pole vašeho okuláru. V pointačním dalekohledu zkontrolujte, zda je objekt vystředěn i na nitkovém kříži. K vycentrování nitkového kříže na objektu použijte tři stavěcí šrouby (obr. 7).

Zaostření

Pomalou otáčejte knoflíkem ostření na jednu nebo druhou stranu, dokud není obraz v okuláru ostrý. V důsledku drobného kolísání způsobeného změnami teploty, průhybem atd. je obraz obvykle po nějaké době potřeba doostřit. Doostření je téměř vždy potřeba provést při výměně okuláru, přidání nebo odstranění Barlowovy čočky apod (refraktor 6a, reflektor 6b).

Práce s montáží

Montáž AZ je altazimutální montáž, která vám umožňuje otáčet teleskopem kolem vertikální a horizontální osy a měnit tak výšku nad obzorem a azimut. Chcete-li nastavit azimut, uvolněte velký pojistný šroub pod paticí montáže, otočte tubus doleva nebo doprava kolem osy a šroub znovu utáhněte. Nastavení elevace provedete uvolněním aretačního šroubu a nakloněním tubusu. Utáhněte ovládání s pomalým pohybem pro přesnější nastavení výšky. Poté otočte drážkovaným kolečkem na tyči ovládání výšky s pomalým pohybem.

Přesnější nastavení lze provést pomocí regulace jemného nastavení. Vzhledem k pohybu Země v prostoru se budou objekty neustále přesouvat mimo zorné pole, proto budete muset během pozorování upravovat výšku a azimut svého teleskopu.

Referenční materiály obvykle udávají deklinační souřadnice ve stupních, hodinách a minutách nad nebo pod linií horizontu. Azimutální souřadnice mohou být někdy uváděny podle světových stran (S, JZ, SSV apod.), ale častěji bývají udávány ve stupních na škále 360°, kde sever je 0°, východ 90° atd. (obr. 8).

Specifikace

	Discovery Spark 506 AZ	Discovery Spark 607 AZ	Discovery Spark 703 AZ	Discovery Spark 707 AZ	Discovery Spark 767 AZ	Discovery Spark 114 AZ
Optická konstrukce	refraktor				Newtonovský reflektor	
Materiál optiky	optické sklo s antireflexní vrstvou					
Apertura, mm	50	60	70	70	76	114
Ohnisková vzdálenost, mm	600	700	300	700	700	900
Nejvyšší praktické zvětšení, x	100	120	140	140	152	228
Světelnost	f/12	f/11,6	f/4	f/10	f/9	f/7,9
Materiál tubusu	kov					
Montáž	azimutální (AZ)					
Okulárový výtah	0,965"	0,965"	0,965"	1,25"	0,965"	1,25"
Stativ	hliník, 630—1130 mm	hliník, 600—1000 mm	hliník, 350 mm	hliník, 670—1230 mm	hliník, 600—1000 mm	hliník, 670—1230 mm
Odkládací přihrádka pro příslušenství	-	+	-	+	+	+
Pointační dalekohled	5x24, optický	5x24, optický	-	5x24, optický	5x24, optický	6x30, optický

Okuláry	6 mm 20 mm	4 mm 12,5 mm 20 mm	6 mm 20 mm	4 mm 12,5 mm 20 mm	4 mm 12,5 mm 20 mm	4 mm 12,5 mm 20 mm
Diagonální zrcátko	90°	90°	90°	90°	-	-
Barlowova čočka	3x	3x	3x	3x	2x	2x
Kolmý okulár	-	1,5x	1,5x	1,5x	-	-

Výrobce si vyhrazuje právo bez předchozího upozornění měnit sortiment a specifikace výrobků.

Péče a údržba

- **Nikdy, za žádných okolností, se tímto přístrojem bez speciálního filtru nedívejte přímo do slunce, jiného jasného světelného zdroje nebo laseru, neboť hrozí nebezpečí TRVALÉHO POŠKOZENÍ SÍTNICE a případně i OSLEPNUTÍ.**
 - Při použití tohoto přístroje dětmi nebo osobami, které tento návod nečetly nebo s jeho obsahem nebyly plně srozuměny, přijměte nezbytná preventivní opatření.
 - Z žádného důvodu se nepokoušejte přístroj rozebírat. S opravami veškerého druhu se obraťte na své místní specializované servisní středisko.
 - Pokud se čočka zamlží, přestaňte přístroj používat. Čočku neotírejte! Vlhkost odstraňte pomocí vysoušeče vlasů nebo nasměrujte teleskop do pozice dolů a nechte vlhkost přirozeně odpařit.
 - Přístroj chraňte před prudkými nárazy a nadměrným mechanickým namáháním.
 - Nedotýkejte se svými prsty povrchů optických prvků. Povrch čočky očistěte stlačeným vzduchem nebo měkkým čistícím ubrouskem na čočky. K vyčištění vnějších částí teleskopu používejte výhradně speciální čistící ubrousky a speciální nástroje k čištění optiky.
 - Přístroj ukládejte na suchém, chladném místě, mimo dosah nebezpečných kyselin nebo jiných chemikálií, topných těles, otevřeného ohně a jiných zdrojů vysokých teplot.
 - Pokud teleskop nepoužíváte, zakryjte jeho čelní stranu prachovým víčkem. Okuláry vždy ukládejte do jejich ochranných obalů a zakrývejte je jejich krytkami. Tím zabráníte usazování prachu na povrchu zrcadla nebo čoček.
 - U mechanických komponent s kovovými a plastovými spojovacími díly provádějte řádné mazání. Komponenty určené k mazání:
 - Optický tubus;
 - Jemná mechanika (kolejnice zaostřovače, mikrozaostřovač optického tubusu teleskopu);
 - Montáž;
 - Páry šnekových převodů, ložiska, kola, závitové převody montáže.
- Používejte univerzální maziva na bázi silikonu s provozní teplotou -60 až +180 °C.
- Pokud dojde k požití části zařízení nebo baterie, okamžitě vyhledejte lékařskou pomoc.
 - Děti by měly teleskop používat pouze pod dohledem dospělé osoby.

Záruka Levenhuk

Na výrobky značky Levenhuk, s výjimkou příslušenství, je poskytována **10 letá záruka** na vady materiálu a zpracování. Na veškeré příslušenství značky Levenhuk se poskytuje záruka, že po dobu **2 let** od data zakoupení v maloobchodní prodejně bude bez vad materiálu a provedení. Tato záruka vám v případě splnění všech záručních podmínek dává nárok na bezplatnou opravu nebo výměnu výrobku značky Levenhuk v libovolné zemi, v níž se nachází pobočka společnosti Levenhuk.

Další informace — navštivte naše webové stránky: www.levenhuk.cz/zaruka

V případě problémů s uplatněním záruky, nebo pokud budete potřebovat pomoc při používání svého výrobku, obraťte se na místní pobočku společnosti Levenhuk.



VORSICHT! Schauen Sie mit dem Teleskop oder Sucherrohr nie — auch nicht kurzzeitig — ohne einen professionell hergestellten Sonnenfilter, der die Vorderseite des Instruments vollständig abdeckt, direkt in die Sonne. Erblindungsgefahr! Achten Sie darauf, dass das vordere Ende des Sucherrohrs mit Aluminiumfolie oder einem anderen nichttransparenten Material abgedeckt ist, um Beschädigungen an den internen Komponenten des Teleskops zu vermeiden. Kinder dürfen das Teleskop nur unter Aufsicht Erwachsener verwenden.

Alle Teile des Teleskops werden in einer Schachtel ausgeliefert. Packen Sie sie vorsichtig aus! Bewahren Sie die Original-Versandverpackung auf. Sollte später ein Transport des Teleskops an einen anderen Standort notwendig werden, trägt die Versandverpackung dazu bei, dass das Teleskop wohlbehalten ankommt. Sehen Sie sorgfältig in der Schachtel nach, da einige Teile klein sind. Ziehen Sie alle Schrauben fest an, um Durchbiegen und Taumelbewegungen zu vermeiden. Achten Sie jedoch auch darauf, das Gewinde nicht durch zu festes Anziehen zu überdrehen. Berühren Sie bei der Montage (und auch sonst) die Flächen der optischen Elemente nicht mit den Fingern. Die empfindliche Vergütung der optischen Flächen kann bei Berührung leicht Schaden nehmen. Entfernen Sie niemals die Linsen oder Spiegel aus ihrem Gehäuse — dies führt zu Garantieverlust.

Montage des Stativs

- Lösen Sie langsam die Arretierungen an den Stativbeinen und ziehen Sie vorsichtig die unteren Beinabschnitte heraus. Ziehen Sie die Arretierungen wieder an, um die unteren Beinabschnitte zu fixieren (außer Discovery Spark 703 AZ) (Abbildung 2b).
- Spreizen Sie die Beine des Stativs und stellen Sie das Stativ auf.
- Justieren Sie die Höhe der einzelnen Stativbeine, um den Stativkopf korrekt zu nivellieren. Es kann sein, dass bei nivellierter Montierung nicht alle Stativbeine gleich lang sind (außer Discovery Spark 703 AZ).
- Legen Sie die Zubehörablage auf die Halterung, fixieren Sie die Ablage mit Rändelschrauben von unten (Abbildung 2a). Alternativ fixieren Sie die Zubehörablage mit einer einzigen Schraube in der Mitte der Ablage (außer Discovery Spark 506 AZ, Discovery Spark 703 AZ) (Abbildung 2b).

Montierung aufbauen

Montierung ohne Gabel (Abbildung 3a):

- Schrauben Sie die Höhenwinkel-Arretierung aus dem Kopf der Montierung heraus.
- Platzieren Sie den optischen Tubus so auf der Altazimut-Montierung, dass das Loch im optischen Tubus und das Loch im Gelenk der Montierung deckungsgleich sind.
- Führen Sie die Höhenwinkel-Arretierung durch die Löcher im Gelenk der Montierung und im optischen Tubus. Ziehen Sie die Höhenwinkel-Arretierung zum Fixieren des Tubus fest.

Montierung ohne Gabel (Abbildung 3b):

- Das Teleskoprohr hat an der Unterseite eine Befestigungslasche. Platzieren Sie diese Lasche in dem Schlitz auf der Oberseite des Stativs.
- Ziehen Sie den Rändelknopf am Stativkopf fest, um das Teleskoprohr auf dem Stativ zu befestigen.
- Schrauben Sie den Kontrollarm in die Gewindemuffe an der Rückseite der Halterung.

Modelle mit Gabelmontierung (Abbildung 3c):

- Entfernen Sie die Sicherungsschraube aus dem Feinabstimmungsstab.
- Führen Sie den Stab in das Loch an der Seite der Gabelmontierung ein.
- Platzieren Sie den Teleskoptubus in den Armen der Gabelmontierung, so dass die Löcher auf dem Tubus deckungsgleich mit den Löchern an den Armen sind. Schrauben Sie den Teleskoptubus mit Flügelschrauben an die Montierung.
- Stecken Sie die Sicherungsschraube durch das Loch am Schaftende des Stabs in das Loch am Tubus und ziehen Sie die Schraube fest.

Optisches Zubehör anbringen

Im Lieferumfang Ihres Teleskopes kann weiteres Zubehör enthalten sein – wie Okulare, Zenitspiegel oder -prisma oder eine Barlowlinse. Das Zubehör sollte in einer bestimmten Reihenfolge angebracht werden.

Refraktoren (Abbildung 1a, 1b, 1c): Lösen Sie die Rändelschraube am Okularauszug. Setzen Sie den Zenitspiegel in den Okularauszug ein, fixieren Sie den Zenitspiegel durch Anziehen der Rändelschraube (Abbildung 5a). Setzen Sie dann das gewünschte Okular in den Zenitspiegel ein, fixieren Sie das Okular durch Wiederanziehen der Rändelschraube. Wenn Sie eine Barlowlinse nutzen möchten, setzen Sie diese zwischen Zenitspiegel und Okular ein. Sie können das Aufrechtokular verwenden, wenn Sie ein aufrechtes Bild wünschen.

Reflektoren (Abbildung 1d): Lösen Sie die Rändelschraube am Okularauszug, nehmen Sie die Kunststoffkappe aus dem Okularauszug. Setzen Sie das gewünschte Okular ein, fixieren Sie das Okular durch Wiederanziehen der Rändelschraube (Abbildung 5b). Wenn Sie eine Barlowlinse nutzen möchten, setzen Sie diese zwischen Okularauszug und Okular ein.

Barlowlinse

Eine Barlowlinse steigert die Vergrößerung eines Okulars und verkleinert gleichzeitig das Sichtfeld. Sie weitet den einfallenden Lichtkegel auf, bevor das Licht den Brennpunkt erreicht, so dass das Teleskop für das Okular eine höhere effektive Brennweite hat. Außerdem verbessert sie auch die Austrittspupillenschnittweite (den optimalen Abstand zwischen Okular und Pupille) und senkt die sphärische Aberration des Okulars. Aus diesem Grund liefert eine Kombination aus Teleskoptlinse und Barlowlinse häufig bessere Ergebnisse als eine einzelne Linse mit derselben Vergrößerung. Und das Beste ist, dass eine Barlowlinse die Anzahl der verfügbaren Okulare in Ihrer Sammlung quasi verdoppelt.

Montage und Ausrichtung des Suchers (Optisches Sucherrohr)

Schrauben Sie die beiden Schrauben am hinteren Teil des Teleskoptubus heraus. Setzen Sie die Sucherrohr-Halterung auf die Löcher am Tubus. Verschrauben Sie die Sucherrohr-Halterung mit dem Tubus (Abbildung 4).

Optische Sucherrohre sind sehr nützliches Zubehör. Korrekt am Teleskop ausgerichtet, können Sie das Auffinden und Zentrieren von Objekten beschleunigen. Die Ausrichtung erfolgt am besten unter freiem Himmel bei Tageslicht, wenn es einfacher ist, Objekte zu finden. Fokussieren Sie zunächst das Sucherrohr neu (falls erforderlich).

Wählen Sie zum Ausrichten erneut ein mindestens 500 m entferntes Objekt und richten Sie das Teleskop auf das gewählte Objekt. Richten Sie das Teleskop so aus, dass sich das Objekt in der Mitte des Sichtfelds im Okular befindet. Prüfen Sie, ob das Objekt auch im Sucherrohr im Mittelpunkt des Fadenkreuzes liegt. Zentrieren Sie das Fadenkreuz des Suchers mit den drei Stellschrauben auf dem Objekt (Abbildung 7).

Fokussieren

Drehen Sie die Fokussierräder langsam in die eine oder andere Richtung, bis das Bild im Okular scharf ist. Der Bildfokus muss wegen kleiner Schwankungen aufgrund von Temperaturänderungen, Durchbiegen usw. normalerweise nach einiger Zeit erneut feinjustiert werden. Wenn Sie ein Okular wechseln oder eine Barlowlinse hinzufügen oder wegnehmen, ist fast immer ein erneutes Fokussieren erforderlich (Refraktor 6a, Reflektor 6b).

Bedienen der Montierung

Die AZ-Montierung ist eine Azimutalmontierung, bei der Sie das Teleskop entlang der vertikalen (Höhenachse) und horizontalen (Azimutachse) Achsen drehen können. Zum Einstellen des Azimuts lösen Sie die Arretierung (großer Sterngriff) unter dem Sockel der Montierung und schwenken Sie den Tubus um die Achse nach links oder rechts. Ziehen Sie die Höhenachse-Feineinstellung zur präziseren Höheneinstellung an. Anschließend drehen Sie das Rändelrad an der Höhenachse-Feineinstellung.

Ziehen Sie dann die Arretierung wieder an. Zum Justieren der Höhe lösen Sie den Höhen-Stellknopf und schwenken Sie den Tubus. Verwenden Sie für präzisere Bewegungen die Höhenwinkel-Feinabstimmung. Aufgrund der Erdrotation bewegen sich Himmelsobjekte ständig aus Ihrem Sichtfeld heraus, und Sie müssen Höhenwinkel und Azimut des Teleskops anpassen, um die Beobachtung fortsetzen zu können.

Referenzmaterialien geben in der Regel äquatoriale Koordinaten in Grad, Stunden und Minuten über oder unter der Horizontlinie an. Azimutale Koordinaten werden manchmal mit den Himmelsrichtungen angegeben (N, SW, ONO usw.), häufiger jedoch in Grad um die 360°-Ebene angegeben, wobei Norden 0° ist, Osten 90° usw. (Abbildung 8).

Technische Daten

	Discovery Spark 506 AZ	Discovery Spark 607 AZ	Discovery Spark 703 AZ	Discovery Spark 707 AZ	Discovery Spark 767 AZ	Discovery Spark 114 AZ
Optische Bauweise	Refraktor				Newton-Reflektor	
Optisches Material	optisches Glas mit Antireflexionsbeschichtung					
Objektivlinsendurchmesser (Öffnung), mm	50	60	70	70	76	114
Brennweite, mm	600	700	300	700	700	900
Höchste praktische Vergrößerung, x	100	120	140	140	152	228
Brennweitenverhältnis	f/12	f/11,6	f/4	f/10	f/9	f/7,9
Tubusmaterial	Metall					
Montierung	Azimut (AZ)					
Steckmaß des Okulars	0,965"	0,965"	0,965"	1,25"	0,965"	1,25"

Stativ	Aluminium, 630—1130 mm	Aluminium, 600—1000 mm	Aluminium, 350 mm	Aluminium, 670—1230 mm	Aluminium, 600—1000 mm	Aluminium, 670—1230 mm
Zubehörablage	–	+	–	+	+	+
Sucherrohr	5x24, optisch	5x24, optisch	–	5x24, optisch	5x24, optisch	6x30, optisch
Okulare	6 mm 20 mm	4 mm 12,5 mm 20 mm	6 mm 20 mm	4 mm 12,5 mm 20 mm	4 mm 12,5 mm 20 mm	4 mm 12,5 mm 20 mm
Zenitspiegel	90°	90°	90°	90°	–	–
Barlowlinse	3x	3x	3x	3x	2x	2x
Aufrechtokular	–	1,5x	1,5x	1,5x	–	–

Der Hersteller behält sich das Recht vor, ohne Vorankündigung Änderungen an der Produktpalette und den technischen Daten vorzunehmen.

Pflege und Wartung

- **Richten Sie das Instrument ohne Spezialfilter unter keinen Umständen direkt auf die Sonne, andere helle Lichtquellen oder Laserquellen. Es besteht die Gefahr DAUERHAFTER NETZHAUTSCHÄDEN und ERBLINDUNGSGEFAHR.**
 - Treffen Sie geeignete Vorsichtsmaßnahmen, wenn Kinder oder Personen das Instrument benutzen, die diese Anleitung nicht gelesen bzw. verstanden haben.
 - Versuchen Sie nicht, das Instrument aus irgendwelchem Grund selbst zu zerlegen. Wenden Sie sich für Reparaturen oder zur Reinigung an ein spezialisiertes Servicecenter vor Ort.
 - Verwenden Sie das Gerät nicht mehr, wenn die Linse beschlägt. Wischen Sie die Linse nicht ab! Entfernen Sie Feuchtigkeit mit einem Haartrockner oder richten Sie das Teleskop nach unten, bis die Feuchtigkeit auf natürliche Weise verdunstet.
 - Schützen Sie das Instrument vor plötzlichen Stößen und übermäßiger mechanischer Krafteinwirkung.
 - Berühren Sie die optischen Flächen nicht mit den Fingern. Reinigen Sie die Linsenoberfläche mit Druckluft oder einem weichen Linsenreinigungstuch. Verwenden Sie zur äußerlichen Reinigung des Teleskops ausschließlich die dazu empfohlenen speziellen Reinigungstücher und das spezielle Optik-Reinigungszubehör.
 - Lagern Sie das Instrument an einem trockenen, kühlen Ort, der frei von gefährlichen Säuren und anderen Chemikalien ist, und in ausreichendem Abstand zu Heizgeräten, offenem Feuer und anderen Hochtemperaturquellen.
 - Decken Sie das vordere Ende des Teleskops stets mit der Staubschutzkappe ab, wenn es nicht verwendet wird. Legen Sie Okulare immer in ihre Schutzhüllen und decken Sie sie mit ihren Kappen ab. Sie verhindern dadurch, dass sich Staub auf dem Spiegel oder den Linsenflächen absetzen kann.
 - Schmieren Sie die mechanischen Komponenten mit Metall- und Kunststoffverbindungssteilen. Zu schmierende Komponenten:
 - Optischer Tubus;
 - Feinmechanik (Fokussierschiene, Mikrofokussierer des optischen Teleskoptubus);
 - Montage;
 - Schneckenpaare, Lager, Zahnräder, Montagezahnräder mit Gewinde.
- Verwenden Sie Allzweckfette auf Silikonbasis mit einem Betriebstemperaturbereich von –60 bis +180°C.
- Wenn ein Teil des Geräts oder des Akkus verschluckt wird, suchen Sie sofort einen Arzt auf.
 - **Kinder dürfen das Teleskop nur unter Aufsicht Erwachsener verwenden.**

Levenhuk Garantie

Optikprodukte von Levenhuk haben eine **10-jährige Garantie** auf Material- und Verarbeitungsfehler. Für sämtliches Levenhuk-Zubehör gilt eine **2-jährige Garantie** ab Kaufdatum im Einzelhandel auf Material- und Verarbeitungsfehler. Die Garantie berechtigt in Ländern, in denen Levenhuk mit einer Niederlassung vertreten ist, zu Reparatur oder Austausch von Levenhuk-Produkten, sofern alle Garantiebedingungen erfüllt sind.

Für weitere Einzelheiten besuchen Sie bitte unsere Website: www.levenhuk.de/garantie

Bei Problemen mit der Garantie, oder wenn Sie Unterstützung bei der Verwendung Ihres Produkts benötigen, wenden Sie sich an die lokale Levenhuk-Niederlassung.



¡ATENCIÓN! Nunca mire directamente al sol, ni siquiera un momento, a través del telescopio o el buscador sin un filtro creado profesionalmente que cubra por completo la parte delantera del instrumento, ya que podría sufrir daños oculares permanentes. Para evitar dañar las partes internas del telescopio asegúrese de que el extremo delantero del buscador está cubierto por papel de aluminio u otro material no transparente. Los niños únicamente deben utilizar este telescopio bajo la supervisión de un adulto.

Todas las piezas del telescopio llegarán en una caja. Desempaquételas con cuidado. Le recomendamos que conserve todo el embalaje original. Si el telescopio tuviese que enviarse a otro lugar, conservar el embalaje original asegurará que el telescopio supere el viaje intacto. Compruebe la caja cuidadosamente, ya que algunas piezas son pequeñas. Todos los tornillos deben apretarse firmemente para evitar que haya juego o se doblen, pero tenga cuidado de no apretarlos demasiado ya que podría pasarlos de rosca.

Durante el montaje (y en cualquier otro momento), no toque la superficie de los elementos ópticos con los dedos. Las superficies ópticas tienen coberturas delicadas que se pueden dañar con facilidad si las toca. Nunca saque las lentes o los espejos interiores de su lugar o anulará la garantía del producto.

Montaje del trípode

- Afloje con cuidado el mecanismo de bloqueo del trípode y saque la parte inferior de cada pata. Apriete el mecanismo de bloqueo para fijar las patas en su lugar (excepto Discovery Spark 703 AZ) (figura 2).
- Separe las patas del trípode y póngalo de pie.
- Ajuste la altura de cada pata del trípode hasta que el cabezal esté bien nivelado. Las patas del trípode pueden tener longitudes distintas cuando la montura esté nivelada (excepto Discovery Spark 703 AZ).
- Coloque la bandeja de accesorios en la parte superior del soporte y fijela con los tornillos de mano desde abajo o asegure la bandeja de accesorios con un tornillo en el centro de la bandeja (excepto Discovery Spark 506 AZ, Discovery Spark 703 AZ).

Montaje de la montura

Montura sin horquilla (figura 3a):

- Quite el mando de bloqueo de altitud del cabezal de la montura.
- Sitúe el tubo óptico del telescopio en la montura altazimutal de forma que el orificio en el tubo óptico encaje con el del cabezal de la montura.
- Inserte el bloqueo de altitud a través del cabezal de la montura y el tubo óptico. Asegúrese de que el orificio esté libre antes de apretar el mando. Fije el bloqueo de altitud.

Montura sin horquilla (figura 3b):

- El tubo del telescopio tiene una pestaña de montaje en su parte inferior. Coloque esta pestaña en la ranura situada en la parte superior del trípode.
- Apriete la rueda moleteada situada en la cabeza del trípode para fijar el tubo al trípode.
- Atornille el brazo de control al orificio roscado que hay en la parte trasera de la montura.

Modelos con montura de horquilla (figura 3c):

- Quita el tornillo de fijación del mando de control de movimiento lento.
- Inserta la barra en el orificio del lateral de la montura de horquilla.
- Sitúa el tubo del telescopio entre los brazos de la horquilla de forma que los orificios del tubo encajen con los de los brazos. Asegura el tubo del telescopio a la montura con tornillos de mariposa.
- Asegura el otro extremo de la barra al tubo del telescopio insertando el tornillo en los orificios del cuerpo y el tubo y apretándolo.

Montaje de accesorios ópticos

El telescopio puede estar equipado con accesorios adicionales, como oculares, espejo diagonal o prisma o una lente Barlow. Los accesorios deben instalarse en un orden bien definido.

Refractores (figura 1a, 1b, 1c): Afloje el tornillo del enfocador. Inserta el espejo diagonal en el tubo del enfocador y vuelve a apretar el tornillo para mantener el espejo diagonal en su lugar (figura 5a). A continuación, inserte el ocular que desee en el espejo diagonal y asegúrelo volviendo a apretar el tornillo. Si se necesita una lente Barlow, instálela entre el espejo diagonal y el ocular. Puede utilizar el ocular erector para obtener una imagen directa.

Reflectores (figura 1d): Afloje el tornillo del enfocador y quite la tapa de plástico del tubo del enfocador. Inserte el ocular seleccionado y asegúrelo volviendo a apretar el tornillo (figura 5b). Si se necesita una lente Barlow, instálela entre el enfocador y el ocular.

Lente de Barlow

La lente de Barlow aumenta el poder amplificador de un ocular y al mismo tiempo reduce el campo de visión. Expande el cono de la luz enfocada antes de alcanzar el punto focal de manera que la distancia focal del telescopio parece mayor al ocular. Además de aumentar la amplificación los beneficios de usar una lente de Barlow incluyen un alivio de la vista mejorado y una aberración esférica del ocular reducida. Por eso una lente de Barlow junto con otra lente suelen ser mejores que una sola lente que produzca la misma magnificación. La mejor ventaja es que con una lente de Barlow puede potencialmente duplicar el número de oculares en su colección.

Montaje y alineación del buscador óptico

Desenrosca los dos tornillos de la parte trasera del tubo del telescopio. Coloca la base del buscador sobre los orificios del tubo. Bloquea la base del buscador en su sitio con los tornillos (figura 4).

Los buscadores ópticos son unos accesorios muy útiles. Cuando se alinean correctamente con el telescopio, los objetos se pueden encontrar rápidamente y situar en el centro de la imagen. Gira el extremo del buscador para ajustar el enfoque.

Para alinear el buscador, escoge un objeto distante que esté al menos a 500 metros y apunta el telescopio hacia el objeto. Ajusta el telescopio de manera que el objeto quede en el centro de la vista del ocular. Comprueba el buscador para ver si el objeto también queda centrado en los ejes. Usa los tres tornillos de ajuste para centrar el visor del buscador en el objeto (figura 7).

Enfoque

Rote lentamente los mandos de enfoque bajo el mecanismo de enfoque en una dirección o en la otra hasta que la imagen del visor quede definida. Normalmente hay que reenfocar la imagen con el tiempo debido a pequeñas variaciones causadas por cambios de temperatura, flexiones, etc. Reenfocar es necesario casi siempre cuando se cambia un ocular y se añade o se quita una lente de Barlow (refractor 6a, reflector 6b).

Manejo de la montura

La montura AZ es una montura altacimutal que permite girar el telescopio sobre los ejes vertical y horizontal y cambiar su altitud y acimut. Para ajustar el acimut afloja el mando de bloqueo bajo la base de la montura y rota el tubo hacia la izquierda o la derecha en el eje, luego vuelve a apretarlo. Para ajustar la altitud, afloja el mando de ajuste de la altitud y rota el tubo. Para movimientos más precisos, usa el control de movimiento lento de altitud. Apriete el control de movimiento lento de altitud para un ajuste de altura más preciso. Luego, gire la rueda ranurada de movimiento lento de control de altitud.

Debido al movimiento de La Tierra, los objetos se moverán constantemente de tu vista, así que tendrás que ajustar la altitud y el acimut del telescopio para continuar tus observaciones.

Los materiales de referencia suelen citar las coordenadas de declinación en grados, horas y minutos sobre o bajo el horizonte. Las coordenadas azimutales se citan a veces junto con los puntos cardinales (N, SO, ENE, etc.) pero es más común que aparezcan en grados sobre el plano de 360 grados en el que el norte es 0°, el este 90°, etc. (figura 8).

Especificaciones

	Discovery Spark 506 AZ	Discovery Spark 607 AZ	Discovery Spark 703 AZ	Discovery Spark 707 AZ	Discovery Spark 767 AZ	Discovery Spark 114 AZ
Diseño óptico	refractor				reflector newtoniano	
Material de los elementos ópticos	vidrio óptico con revestimiento anti-reflectante					
Apertura, mm	50	60	70	70	76	114
Distancia focal, mm	600	700	300	700	700	900
Potencia práctica máxima, x	100	120	140	140	152	228
Relación focal	f/12	f/11,6	f/4	f/10	f/9	f/7,9
Material del tubo	metal					
Tipo de montura	azimut (AZ)					
Diámetro del tubo del ocular	0,965"	0,965"	0,965"	1,25"	0,965"	1,25"
Trípode	aluminio, 630—1130 mm	aluminio, 600—1000 mm	aluminio, 350 mm	aluminio, 670—1230 mm	aluminio, 600—1000 mm	aluminio, 670—1230 mm

Bandeja de accesorios	-	+	-	+	+	+
Buscador	5x24, óptico	5x24, óptico	-	5x24, óptico	5x24, óptico	6x30, óptico
Oculares	6 mm 20 mm	4 mm 12,5 mm 20 mm	6 mm 20 mm	4 mm 12,5 mm 20 mm	4 mm 12,5 mm 20 mm	4 mm 12,5 mm 20 mm
Espejo diagonal	90°	90°	90°	90°	-	-
Lente de Barlow	3x	3x	3x	3x	2x	2x
Ocular erector	-	1,5x	1,5x	1,5x	-	-

El fabricante se reserva el derecho de realizar cambios en la gama de productos y en las especificaciones sin previo aviso.

Cuidado y mantenimiento

- **Nunca, bajo ninguna circunstancia, mire directamente al sol, a otra fuente de luz intensa o a un láser a través de este instrumento, ya que esto podría causar DAÑO PERMANENTE EN LA RETINA y CEGUERA.**
 - Tome las precauciones necesarias si utiliza este instrumento acompañado de niños o de otras personas que no hayan leído o que no comprendan totalmente estas instrucciones.
 - No intente desmontar el instrumento usted mismo bajo ningún concepto. Si necesita repararlo o limpiarlo, contacte con el servicio técnico especializado que corresponda a su zona.
 - Deje de usar el dispositivo si la lente se empaña. ¡No frote la lente! Elimine la humedad con un secador de pelo o apunte el telescopio hacia abajo hasta que la humedad se evapore de forma natural.
 - Proteja el instrumento de impactos súbitos y de fuerza mecánica excesiva.
 - No toque las superficies ópticas con los dedos. Limpie la superficie de la lente con aire comprimido o un paño suave para limpiar lentes. Para limpiar el exterior del instrumento, utilice únicamente los paños y herramientas de limpieza especiales.
 - Guarde el instrumento en un lugar seco y fresco, alejado de ácidos peligrosos y otros productos químicos, radiadores, de fuego y de otras fuentes de altas temperaturas.
 - Vuelva a colocar el guardapolvo sobre la parte delantera del telescopio cuando no lo use. Guarde siempre los oculares en sus estuches protectores y cúbralos con sus tapas. Esto evita que se deposite polvo sobre la superficie del espejo o de la lente.
 - Lubrique los componentes mecánicos donde haya piezas de conexión de metal y de plástico. Componentes que se deben lubricar:
 - Tubo óptico;
 - Componentes mecánicos de precisión (carril de enfoque, microenfocador del tubo óptico del telescopio);
 - Montura;
 - Engranajes de tornillo sin fin y rueda dentada, cojinetes, ruedas dentadas, engranajes de montaje roscados.
- Utilice grasas de silicona de uso general con un intervalo de temperaturas de trabajo de -60 a 180 °C.
- En caso de ingestión de componentes del dispositivo o de la pila, busque asistencia médica de inmediato.
 - **Los niños únicamente deben utilizar este telescopio bajo la supervisión de un adulto.**

Garantía Levenhuk

Los productos ópticos de Levenhuk tienen una **garantía de 10 años** contra defectos en materiales y mano de obra. Todos los accesorios Levenhuk están garantizados contra defectos de materiales y de mano de obra durante **2 años** a partir de la fecha de compra. La garantía incluye la reparación o sustitución gratuita del producto Levenhuk en cualquier país en el que haya una oficina Levenhuk si se reúnen todas las condiciones de la garantía.

Para más detalles visite nuestra página web: www.levenhuk.es/garantia

En caso de problemas con la garantía o si necesita ayuda en el uso de su producto, contacte con su oficina de Levenhuk más cercana.



VIGYÁZAT! Soha ne nézzen közvetlenül a Napba — még egy pillanatra sem — teleszkópján vagy keresőtávcsövén keresztül olyan professzionális napszűrő nélkül, ami teljesen lefedi a műszer elejét, különben az maradandó szemkárosodást okozhat. A teleszkóp belső részei sérülésének elkerülése végett győződjön meg róla, hogy a keresőteleszkóp elülső része le van fedve alufóliával vagy egyéb, nem átlátszó anyaggal. A gyermekek a teleszkópot csak felnőtt felügyelete mellett használhatják.

A teleszkóp minden alkatrésze ugyanabban a dobozban érkezik. Óvatosan csomagolja ki. Javasoljuk, hogy tartsa meg az eredeti tartódobozt. Abban az esetben, ha a teleszkópot másik helyre kell szállítani, a teleszkóp sértetlen átszállítását az erre a célra leginkább megfelelő tartódobozban lehet biztosítani. Alaposan ellenőrizze a dobozt, mivel kis alkatrészek is vannak benne. A meghajlás és a lötyögés megakadályozása érdekében minden egyes csavart szorosan húzzon meg, de ne húzza túl azokat, mert így a csavarok akár el is nyíródhatnak.

Az összeállítás során (ezt bármikor érvényes), ne érintse az optikai elemeket az ujjával. Az optikai elemek felszíne finom bevonattal rendelkezik, és ez érintés hatására könnyen megsérülhet. Soha ne vegye ki a foglalatból a lencséket, máskülönben a termékre vonatkozó garancia teljes mértékben érvényét veszíti.

A háromlábú állvány összeállítása

- Lassan lazítsa meg a háromlábú állvány szorítógombjait és óvatosan húzza ki a háromlábú állvány lábainak alsó szakaszát. Húzza meg a csavarokat, hogy megtartsa a lábakat a megfelelő helyen (kivéve: Discovery Spark 703 AZ) (2. ábra).
- Húzza szét a háromlábú állvány lábait, hogy a háromlábú állvány függőlegesen álljon.
- Állítsa be a háromlábú állvány lábainak magasságát, hogy a háromlábú állvány fejrészét vízszintes helyzetbe állítsa. Ne feledje, hogy előfordulhat, hogy a háromlábú állvány lábai nem azonos hosszúságúak az állvány vízszintes helyzetében (kivéve: Discovery Spark 703 AZ).
- Helyezze a tartozéktartó tálcát a tartókonzol tetejére, és alulról rögzítse azokat a csavarok segítségével vagy a tálca közepén rögzítse egy csavarral a tartozéktartó tálcát (kivéve: Discovery Spark 506 AZ, Discovery Spark 703 AZ).

Állványcsatlakozás

Állvány villa nélkül (3a. ábra):

- Távolítsa el a magassági rögzítógombot a tartószerkezet fejről.
- Helyezze a teleszkóp optikai tubusát az alt-azimut állványra úgy, hogy az optikai tubus furata egy vonalba kerüljön a tartószerkezet fejen lévő furattal.
- Vezesse át a magassági rögzítógombot a tartószerkezet fejen és az optikai tubuson. A gomb meghúzása előtt győződjön meg, hogy a furat a teljes hosszán szabad-e. Rögzítse a magassági rögzítógombot.

Állvány villa nélkül (3b. ábra):

- A teleszkóp tubusának alján található egy rögzítőlap. Helyezze be a lapot a háromlábú állvány tetején található nyílásba.
- Ahhoz, hogy a tubust a háromlábú állványhoz rögzíthesse, szorítsa meg a háromlábú állvány fejen található bütykös gombot.
- Csavarja be az irányítókart a menetes foglalatba, amely az állvány hátsó részén található.

Villa alakú állvánnyal rendelkező modellek (3c. ábra):

- Távolítsa el a szorítócsavart lassú mozgás vezérlőrudjáról.
- Helyezze be a rudat a villa alakú állvány oldalán lévő furatba.
- Helyezze el a teleszkóp tubust a villa alakú karok közé úgy, hogy a tubuson lévő furatok illeszkedjenek a kar furataihoz. Rögzítse a teleszkóp tubust az állványhoz a kézzel állítható csavarokkal.
- Rögzítse a rúd másik végét a teleszkóp tubusra, beillesztve a csavart a tengelyen és a tubus furatain keresztül, és húzza meg azt.

Optikai tartozékszerelvény

A teleszkópjához további tartozékok használhatók, például szemlencsék, diagonális tükör vagy prizma, vagy Barlow-lencsék. A tartozékokat előre meghatározott sorrend szerint kell összeszerelni.

Refraktorok (1a, 1b, 1c. ábra): Lazítsa meg a fókuszállító kézzel állítható csavarját. Illessze be diagonális tükröt a fókuszállító tubusba és húzza meg ismét a kézzel állítható csavart, hogy megtartsa a diagonális tükröt a helyén (5a. ábra). Ezután illessze be a kívánt szemlencsét a diagonális tükörbe, és rögzítse azt a kézzel állítható csavar ismételt meghúzásával. Ha Barlow-lencsére van szükség, azt a diagonális tükör és a szemlencse közé kell beszerelni. A közvetlen képhez használhatja az álló szemlencsét.

Reflektorok (1d. ábra): Lazítsa meg a fókuszállító pillangócsavarját, és vegye le a fókuszállító tubusáról a műanyag sapkát. Helyezze be a kiválasztott szemlencsét, és rögzítse a kézzel állítható csavar ismételt meghúzásával (5b. ábra). Ha Barlow-lencsére van szükség, azt a fókuszállító és a szemlencse közé kell beszerelni.

Barlow-lencse

A Barlow-lencse növeli a szemlencse nagyítóját, miközben csökkenti a látómezőt. Kiterjeszti a fókuszált fény kúpját, mielőtt az elérné a fókuszpontot, ezáltal a teleszkóp fókusz távolsága hosszabbnak tűnik a szemlencsén. A nagyítás növelése mellett a Barlow-lencse használatának előnyei közé tartozik a jobb szemtávolság és a szemlencse szférikus aberrációjának csökkentése. Ebből adódóan egy Barlow-lencse plusz egy lencse használata gyakran felülmúlja az ugyanolyan nagyítással rendelkező szimpla lencsét. És a legnagyobb előny az, hogy a Barlow-lencse potenciálisan megduplázhhatja a készlete szemlencséinek számát.

Optikai keresőtávcső összeállítása és beállítása

Csavarjon ki két csavart a teleszkóp tubus hátsó részén. Helyezze a keresőtávcső talpazatát a tubus furatai fölé. A csavarok meghúzásával rögzítse a keresőtávcső talpazatát (4. ábra).

Az optikai keresőtávcsövek nagyon hasznos tartozékok. Ha megfelelően egy vonalba vannak állítva a teleszkóppal, az objektumok gyorsan megkereshetők és a nézet középpontjába állíthatók. Forgassa befelé és kifelé a teleszkóp végét a fókusz beállításához (7. ábra).

A keresőteleszkóp beigazításához válasszon egy távoli objektumot, amely legalább 500 méter távolságra helyezkedik el, és irányítsa rá a teleszkópot. Állítsa be a teleszkópot úgy, hogy az objektum a szemlencse látómezőjének közepén helyezkedjen el. Nézzon bele a keresőtávcsőbe és ellenőrizze, hogy az objektum a hajszálkeresztben is központi helyzetben van-e. Használja a három beállítócsavart, hogy központosítsa a keresőtávcső hajszálkeresztjét az objektumon.

Fókuszálás

Lassan forgassa a fókuszállító gombot az egyik irányba egészen addig, amíg a szemlencsén keresztül érzékelt kép élessé nem válik. A képet időnként finoman újra fókuszálni kell a hőmérséklet változása, az elhajlás vagy egyéb hatások miatt. Az újrafókuszálásra szinte minden alkalommal szükség van, amikor szemlencsét cserél, vagy a Barlow-lencsét használja (beteszi vagy kiveszi a keresőteleszkópból) (refraktor 6a, reflektor 6b).

Az állvány kezelése

Az AZ állvány alt-azimut állvány, amely lehetővé teszi, hogy a teleszkópot a függőleges és vízszintes tengelyek körül forgassa, és módosítsa annak magasságát és azimutját. Az azimut beállításához lazítsa meg a nagy szorítógombot az állvány alappozíciója alatt és forgassa tubust balra vagy jobbra a tengely körül, majd húzza meg újra. A magasság beállításához lazítsa meg a magasságállító gombot és forgassa el a tubust. A még precízebb magasságállításához húzza meg a magassági lassú mozgató vezérlőt. Majd forgassa el a recézett kereket a finomállítású kezelőszerv rúdján. A pontosabb mozgásokhoz használja a lassú mozgató magassági vezérlőt. A Föld mozgásából adódóan az objektumok folyamatosan kitolódnak a nézetből, így a megfigyelések folytatásához módosítani kell a teleszkóp magasságát és azimutját.

A referenciaanyagok a deklinációs koordinátákat fokban, órában és percben adják meg a horizont vonala felett vagy alatt. Az azimut koordináták esetenként égtájjakkal (É, DNY, KÉK stb.) vannak megadva, leggyakrabban azonban fokokkal vannak meghatározva a 360 fokos sík körül, ahol az észak 0°, a kelet 90° stb. (8. ábra).

Műszaki paraméterek

	Discovery Spark 506 AZ	Discovery Spark 607 AZ	Discovery Spark 703 AZ	Discovery Spark 707 AZ	Discovery Spark 767 AZ	Discovery Spark 114 AZ
Optikai kialakítás	refraktor				Newton-i reflektor	
Optika anyaga	optikai üveg tükröződés gátló bevonattal					
Rekesznyílás, mm	50	60	70	70	76	114
Fókusz távolság, mm	600	700	300	700	700	900
Legnagyobb gyakorlati nagyítás, x	100	120	140	140	152	228
Fókuszarány	f/12	f/11,6	f/4	f/10	f/9	f/7,9
Tubus anyaga	fém					
Háromlábú állvány	azimuth (AZ)					
Fókuszállító	0,965"	0,965"	0,965"	1,25"	0,965"	1,25"
Állvány	alumínium, 630—1130 mm	alumínium, 600—1000 mm	alumínium, 350 mm	alumínium, 670—1230 mm	alumínium, 600—1000 mm	alumínium, 670—1230 mm
Tartozék tartó tálcá	-	+	-	+	+	+

Keresőtávcső	5x24, optikai	5x24, optikai	–	5x24, optikai	5x24, optikai	6x30, optikai
Szemlencsék	6 mm 20 mm	4 mm 12,5 mm 20 mm	6 mm 20 mm	4 mm 12,5 mm 20 mm	4 mm 12,5 mm 20 mm	4 mm 12,5 mm 20 mm
Diagonális tükör	90°	90°	90°	90°	–	–
Barlow-lencse	3x	3x	3x	3x	2x	2x
Álló szemlencse	–	1,5x	1,5x	1,5x	–	–

A gyártó fenntartja magának a jogot a termékkínálat és a műszaki paraméterek előzetes értesítés nélkül történő módosítására.

Ápolás és karbantartás

- **Speciális szűrő hiányában soha, semmilyen körülmények között ne nézzen közvetlenül a Napba, vagy egyéb, nagyon erős fényforrásba vagy lézersugárba az eszközön keresztül, mert az MARADANDÓ KÁROSODÁST OKOZ A RETINÁJÁBAN ÉS AKÁR MEG IS VAKULHAT.**
 - Legyen kellően óvatos, ha gyermekekkel vagy olyan személyekkel együtt használja az eszközt, akik nem olvasták vagy nem teljesen értették meg az előbbiekben felsorolt utasításokat.
 - Bármilyen legyen is az ok, semmiképpen ne kísérelje meg szétszerelni az eszközt. Ha az eszköz javításra vagy tisztításra szorul, akkor keresse fel vele a helyi szakszervizt.
 - Ne használja az eszközt tovább, ha a lencsék bepárásodtak. Ne törölje a lencséket! A nedvességet hajszárítóval távolítsa el vagy irányítsa a teleszkópot lefele, hogy a nedvesség természetes módon elpárologhasson.
 - Óvja az eszközt a hirtelen behatásoktól és a hosszabb ideig tartó mechanikai erőktől.
 - Az optikai elemek felületéhez soha ne érjen az ujjával. A lencsék felületét sűrített levegővel vagy lencsetisztításra tervezett puha törlőkendővel tisztítsa. Az eszköz külső tisztításához használjon speciális, erre a célra tervezett törlőkendőket és eszközöket, amelyeket az optika tisztításához ajánlanak.
 - Száraz, hűvös helyen tárolja az eszközt, veszélyes savaktól és egyéb kémiai anyagoktól elkülönítetten, hőszugárzóktól, nyílt lángtól és egyéb hőforrásoktól távol.
 - Minden esetben tegye vissza a porvédő kupakot a teleszkóp elülső végére, ha azt nem használhatja. A szemlencsét mindig tegye a saját védőtokjába és arra helyezze fel a kupakot. Ezzel megakadályozhatja, hogy por rakódjon a tükrökre vagy a lencsék felületére.
 - A mechanikus alkatrészeket és a fémmel érintkező műanyag elemeket kenje meg. Kenést igénylő alkatrészek:
 - Optikai tubus;
 - Finommechanika (fókuszáló sín, teleszkóp optikai tubus mikro-fókuszálója);
 - Rögzítés;
 - Csiga-párok, csapágyak, fogaskerekek, menetes rögzítő szerkezetek.
- Használjon általános rendeltetésű szilikon-alapú –60 ... +180 °C üzemi hőmérséklettartományra tervezett kenőanyagot.
- Ha az eszköz valamely alkatrészét vagy az elemét lenyelik, akkor kérjen, azonnal orvosi segítséget.
 - **A gyermekek a teleszkópot csak felnőtt felügyelete mellett használhatják.**

Levenhuk szavatosság

A Levenhuk termékekre, a hozzátartozó kiegészítők kivételével, **10 év szavatosságot** biztosítunk anyag- és/vagy gyártási hibákra. A Levenhuk-kiegészítőkhöz a Levenhuk-vállalat a kiskereskedelmi vásárlás napjától számított **2 évig** érvényes szavatosságot nyújt az anyaghibák és/vagy a gyártási hibák vonatkozásában. Ha minden szavatossági feltétel teljesül, akkor a szavatosság értelmében bármely olyan országban kérheti a Levenhuk termék díjmentes javíttatását vagy cseréjét, ahol a Levenhuk vállalat fiókirodát üzemeltet.

További részletekért látogasson el weboldalunkra: www.levenhuk.hu/garancia

Amennyiben garanciális probléma lépne fel vagy további segítségre van szüksége a termék használatát illetően, akkor vegye fel a kapcsolatot a helyi Levenhuk üzlettel.



ATTENZIONE! Non guardare mai (nemmeno per un istante) il sole direttamente attraverso il telescopio o il mirino senza un filtro solare di fattura professionale che copra completamente la parte anteriore dello strumento. In caso contrario, esiste il rischio di danni permanenti all'occhio. Per evitare di danneggiare le parti interne del telescopio, assicurarsi che l'estremità anteriore del mirino sia coperta con foglio di alluminio o con altro materiale non trasparente. I bambini possono utilizzare il telescopio soltanto con la supervisione di un adulto.

Tutte le parti del telescopio vengono consegnate in un'unica scatola. Disimballare con cautela. Conservare l'imballaggio di spedizione originale: sarà necessario in caso di invio del telescopio al centro di assistenza. Verificare con attenzione il contenuto della scatola, in quanto alcune parti sono di piccole dimensioni. Tutte le viti devono essere fissate con fermezza per evitare flessioni od oscillazioni; tuttavia, assicurarsi di non stringerle in modo eccessivo, poiché ciò potrebbe danneggiare le filettature.

Non toccare le superfici degli elementi ottici durante il montaggio (né, in generale, in qualsiasi altro momento). Le superfici ottiche presentano rivestimenti delicati che si danneggiano facilmente in caso di contatto. Non rimuovere mai le lenti dai rispettivi alloggiamenti, o la garanzia del prodotto risulterebbe annullata.

Assemblaggio treppiede

- Allentare gradualmente le manopole di blocco del treppiede ed estrarre con delicatezza la sezione inferiore di ogni gamba del treppiede (tranne Discovery Spark 703 AZ) (fig. 2). Serrare le viti per mantenere le gambe in posizione.
- Allargare le gambe del treppiede per farlo rimanere stabile.
- Regolare l'altezza di ognuna delle gambe fino a livellare il treppiede. Notare che le gambe del treppiede potrebbero dover essere regolate ad altezze diverse per livellare la montatura (tranne Discovery Spark 703 AZ).
- Posizionare il vassoio porta-accessori sul supporto e assicurarlo dal basso con le viti a testa alettata oppure con una singola vite al centro del vassoio (tranne Discovery Spark 506 AZ, Discovery Spark 703 AZ).

Assemblaggio della montatura

Montatura senza forcilla (fig. 3a):

- Rimuovere la manopola di blocco dell'altezza dalla testa della montatura.
- Posizionare il tubo ottico del telescopio sulla montatura altazimutale in modo che il foro sul tubo sia allineato a quello sulla testa della montatura.
- Inserire la manopola di blocco dell'altezza attraverso la testa della montatura e il tubo ottico. Assicurarsi che il foro sia libero fino in fondo prima di serrare la manopola. Serrare la manopola di blocco dell'altezza.

Montatura senza forcilla (fig. 3b):

- Il tubo del telescopio presenta un'aletta di montaggio nella parte inferiore. Inserire questa aletta nella scanalatura posta nella parte superiore del treppiede.
- Serrare la manopola zigrinata posta sulla testa del treppiede per fissare il tubo a quest'ultimo.
- Avvitare il braccio di controllo nell'attacco filettato posto nella parte posteriore del montaggio.

Montatura con forcilla (fig. 3c):

- Rimuovere la vite di blocco dalla barra di regolazione fine.
- Inserire la barra nel foro sul lato della forcilla.
- Posizionare il tubo del telescopio tra i bracci della forcilla in modo che i fori sul tubo corrispondano a quelli sui bracci. Fissare il tubo del telescopio alla montatura con le viti a testa alettate.
- Fissare l'altro capo della barra al tubo del telescopio inserendo la vite attraverso l'asta e i fori del tubo; stringere la vite.

Assemblaggio accessori ottici

Il telescopio scelto può essere equipaggiato con accessori aggiuntivi, come oculari, diagonali a specchio o a prisma oppure una lente di Barlow. Tali accessori devono essere installati in un ordine ben definito.

Rifrattori (fig. 1a, 1b, 1c): Allentare la vite a testa alettata del foceggiatore. Inserire il diagonale a specchio nel tubo del foceggiatore e serrare nuovamente la vite a testa alettata per fissare il diagonale in posizione (fig. 5a). A questo punto, inserire l'oculare desiderato nel diagonale a specchio e assicurarlo serrando la vite a testa alettata. Se è necessaria una lente di Barlow, installarla tra lo specchio diagonale e l'oculare. È possibile usare l'oculare raddrizzatore per ottenere un'immagine dritta.

Riflettori (fig. 1d): Allentare la vite a testa alettata del foceggiatore e togliere il tappo di plastica dal tubo del foceggiatore. Inserire l'oculare scelto e fissarlo serrando nuovamente la vite a testa alettata (fig. 5b). Se è necessaria una lente di Barlow, installarla tra il foceggiatore e l'oculare.

Lente di Barlow

Una lente di Barlow aumenta il fattore d'ingrandimento di un oculare, riducendo in contemporanea il campo visivo. Allarga il cono di luce focalizzata prima che raggiunga il punto di fuoco, facendo sì che la focale del telescopio appaia più lunga in ingresso all'oculare. Oltre ad aumentare l'ingrandimento, i vantaggi dell'uso di una lente di Barlow comprendono una maggiore estrazione pupillare e una riduzione dell'aberrazione sferica dell'oculare. Perciò, la combinazione di lente e lente di Barlow spesso dà risultati migliori che non l'uso di una lente singola, a parità di ingrandimento. Il miglior vantaggio risiede nel fatto che una lente di Barlow è potenzialmente in grado di raddoppiare il numero di oculari a disposizione.

Assemblaggio e allineamento del cercatore ottico

Sfilare le due viti dal fondo del tubo del telescopio. Posizionare la base del cercatore sui fori del tubo. Fissare la base del cercatore in posizione serrando le viti (fig. 4).

Il cercatore ottico è un accessorio molto utile. Quando è allineato correttamente con il telescopio, consente di localizzare velocemente i corpi celesti e di portarli al centro del campo visivo. Ruota l'estremità del cercatore per regolare il fuoco. Per allineare il cercatore, scegli un oggetto distante almeno 500 m e punta il telescopio su di esso. Regolare il telescopio in modo che l'oggetto sia al centro del campo visivo dell'oculare. Controllare se l'oggetto è anche al centro del mirino del cercatore. Utilizzare le viti di regolazione per centrare il mirino del cercatore sull'oggetto (fig. 7).

Messa a fuoco

Ruotare lentamente le manopole di messa a fuoco in una direzione o nell'altra fino a ottenere un'immagine nitida nell'oculare. Generalmente la messa a fuoco dell'immagine deve essere ripetuta dopo un certo tempo, a causa per esempio di piccole variazioni provocate da cambiamenti della temperatura, flessioni e così via. La messa a fuoco deve quasi sempre essere ripetuta quando si sostituisce un oculare o quando si aggiunge o rimuove la lente di Barlow (rifrattore 6a, riflettore 6b).

Manovrare la montatura

La montatura AZ è una montatura altazimutale che consente di ruotare il telescopio sull'asse verticale a su quello orizzontale, variando altezza e azimut. Per regolare l'azimut, allentare la manopola sotto alla base della montatura e ruotare il tubo a destra o a sinistra sull'asse, serrare nuovamente la manopola. Per regolare l'altezza, allentare la manopola di regolazione dell'altezza e ruotare il tubo. Serrare il controllo fine dell'altezza per una regolazione più precisa. Quindi, ruotare la rotella zigrinata sulla barra del controllo fine dell'altezza.

Per una regolazione più precisa, utilizzare la regolazione fine dell'altezza. A causa del movimento della Terra, gli oggetti continueranno ad uscire dal campo visivo, quindi sarà necessario regolare costantemente altezza e azimut del telescopio per continuare l'osservazione.

I materiali di riferimento in genere riportano le coordinate di declinazione in gradi e quelle di ascensione retta in ore e minuti, sopra o sotto la linea dell'orizzonte. A volte, le coordinate azimutali vengono espresse usando i punti cardinali (N, SO, ENE, ecc.), ma è più comune che siano espresse su un arco di 360° in cui il nord è indicato come 0°, l'est come 90°, ecc. (fig. 8).

Specifiche

	Discovery Spark 506 AZ	Discovery Spark 607 AZ	Discovery Spark 703 AZ	Discovery Spark 707 AZ	Discovery Spark 767 AZ	Discovery Spark 114 AZ
Design ottico	rifrattore				riflettore newtoniano	
Materiale delle ottiche	vetro ottico con rivestimento antiriflesso					
Apertura, mm	50	60	70	70	76	114
Distanza focale, mm	600	700	300	700	700	900
Potere di ingrandimento utile massimo, x	100	120	140	140	152	228
Rapporto focale	f/12	f/11,6	f/4	f/10	f/9	f/7,9
Materiale tubo	metallo					
Montaggio	azimut (AZ)					
Diametro barilotto dell'oculare	0,965"	0,965"	0,965"	1,25"	0,965"	1,25"
Treppiede	alluminio, 630—1130 mm	alluminio, 600—1000 mm	alluminio, 350 mm	alluminio, 670—1230 mm	alluminio, 600—1000 mm	alluminio, 670—1230 mm

Ripiano per accessori	-	+	-	+	+	+
Mirino	5x24, ottico	5x24, ottico	-	5x24, ottico	5x24, ottico	6x30, ottico
Oculari	6 mm 20 mm	4 mm 12,5 mm 20 mm	6 mm 20 mm	4 mm 12,5 mm 20 mm	4 mm 12,5 mm 20 mm	4 mm 12,5 mm 20 mm
Specchio diagonale	90°	90°	90°	90°	-	-
Lente di Barlow	3x	3x	3x	3x	2x	2x
Oculare raddrizzatore	-	1,5x	1,5x	1,5x	-	-

Il produttore si riserva il diritto di modificare senza preavviso le specifiche tecniche e la gamma dei prodotti.

Cura e manutenzione

- **Non utilizzare in nessun caso questo apparecchio per guardare direttamente il Sole, un'altra sorgente di luce ad alta luminosità o un laser, senza un opportuno filtro speciale, perché ciò potrebbe provocare DANNI PERMANENTI ALLA RETINA e portare a CECITÀ.**
- Nel caso si utilizzi l'apparecchio in presenza di bambini o di altre persone che non abbiano letto e compreso appieno queste istruzioni, prendere le precauzioni necessarie.
- Non cercare per nessun motivo di smontare autonomamente l'apparecchio. Per qualsiasi intervento di riparazione e pulizia, contattare il centro di assistenza specializzato di zona.
- Interrompere l'uso dell'apparecchio in caso di appannamento della lente. Non strofinare un panno sulla lente bagnata! Rimuovere la condensa usando un asciugacapelli o puntando il telescopio verso il basso finché la condensa non evapora naturalmente.
- Proteggere l'apparecchio da urti improvvisi ed evitare che sia sottoposto a eccessiva forza meccanica.
- Non toccare le superfici ottiche con le dita. Pulire la superficie della lente con un flusso di aria compressa o una salvietta morbida per lenti. Per pulire l'esterno dell'apparecchio, utilizzare soltanto le salviette apposite e gli opportuni strumenti di pulizia consigliati.
- Conservare l'apparecchio in un luogo fresco e asciutto, al riparo da acidi pericolosi e altri prodotti chimici, lontano da elementi riscaldanti, fiamme libere e altre fonti di calore.
- Quando il telescopio non è in uso, ricollocare il coperchio antipolvere sulla sua estremità anteriore. Riporre sempre gli oculari nelle custodie protettive e con i coperchi montati. In questo modo, si evita che la polvere si depositi sulle superfici dello specchio o delle lenti.
- Lubrificare i componenti meccanici in cui vengono a contatto parti in plastica e in metallo. Componenti da lubrificare:
 - tubo ottico;
 - meccaniche di precisione (guida del meccanismo di messa a fuoco, focheggiatore micrometrico per il tubo ottico del telescopio);
 - montatura;
 - coppie di ruote dentate e viti senza fine, cuscinetti, pignoni, ingranaggi della montatura con filettature.
 Utilizzare un olio multiuso a base siliconica con un range di temperature d'esercizio pari a -60 ... +180°C.
- In caso di ingestione di una parte dell'apparecchio o della batteria, consultare immediatamente un medico.
- **I bambini dovrebbero utilizzare il telescopio soltanto con la supervisione di un adulto.**

Garanzia Levenhuk

I prodotti ottici Levenhuk sono coperti da **10 anni di garanzia** per quanto riguarda i difetti di fabbricazione e dei materiali. Tutti gli accessori Levenhuk godono di una garanzia di **2 anni** a partire dalla data di acquisto per quanto riguarda i difetti di fabbricazione e dei materiali. La garanzia conferisce il diritto alla riparazione o sostituzione gratuite del prodotto Levenhuk in tutti i paesi in cui è presente una sede Levenhuk, a patto che tutte le condizioni di garanzia siano rispettate. Per maggiori dettagli, visitare il nostro sito web: www.levenhuk.eu/warranty
Per qualsiasi problema di garanzia o necessità di assistenza per l'utilizzo del prodotto, contattare la filiale Levenhuk di zona.



OSTROŻNIE! Nigdy, nawet przez krótką chwilę, nie wolno kierować teleskopu ani lunety nastawczej na słońce bez nałożenia profesjonalnego filtra słonecznego, który całkowicie zakrywa przednią część przyrządu. W przeciwnym razie może dojść do trwałego uszkodzenia wzroku. Aby uniknąć uszkodzenia wewnętrznych części teleskopu, zakryj przednią część lunety nastawczej folią aluminiową lub innym nieprzezroczystym materiałem. Używanie teleskopu przez dzieci może odbywać się tylko pod nadzorem osób dorosłych.

Wszystkie części teleskopu dostarczane są w jednym opakowaniu. Zachowaj ostrożność podczas rozpakowywania. Zalecamy zatrzymanie oryginalnego opakowania. Jeśli konieczne będzie dostarczenie teleskopu w inne miejsce, opakowanie przystosowane do transportu pomoże chronić teleskop przed ewentualnymi uszkodzeniami. Należy dokładnie sprawdzić zawartość opakowania, ponieważ niektóre części są małe. Aby zapobiec zginaniu i chwianiu się poszczególnych elementów, należy dokładnie dokręcić śruby, uważając jednak, by ich nie przekręcić, bowiem mogłoby to spowodować zerwanie gwintów.

Podczas montażu (i w dowolnym momencie) nie dotykaj palcami powierzchni elementów optycznych. Powierzchnie optyczne posiadają delikatne powłoki, które mogą zostać łatwo uszkodzone w wyniku dotknięcia. Nie wyjmuj soczewek ani luster z obudów; niespełnienie tego warunku powoduje unieważnienie gwarancji produktu.

Składanie statywu

- Powoli poluzuj pokrętła blokujące statyw i delikatnie wysuń dolne części nóg statywu. Dokręć śruby, aby ustawić określoną wysokość nóg (oprócz Discovery Spark 703 AZ) (rys. 2).
- Rozstaw nogi statywu tak, aby stał on prosto.
- Wyreguluj wysokość każdej z nóg aż do odpowiedniego wyrównania głowicy statywu. Pamiętaj, że po wyrównaniu montażu wysokość nóg statywu może być różna (oprócz Discovery Spark 703 AZ).
- Ustaw półkę narzędziową na wsporniku i zamocuj ją śrubami radetkowanymi od spodu lub przykręć półkę narzędziową jedną śrubą w jej środkowej części (oprócz Discovery Spark 506 AZ, Discovery Spark 703 AZ).

Zespół montażu

Montaż bez widel (rys. 3a):

- Wykręć pokrętło blokujące teleskop w pionie z głowicy montażu.
- Umieść tubus optyczny teleskopu na montażu azymutalnym, dopasowując do siebie otwory w obu elementach.
- Wsuń pokrętło blokujące teleskop w pionie przez otwory w głowicy montażu i tubusie optycznym (przed dokręceniem pokrętła sprawdź, czy otwory nie są zablokowane). Przymocuj tubus, przykręcając pokrętło blokujące teleskop w pionie.

Montaż bez widel (rys. 3b):

- Tubus teleskopu jest wyposażony od spodu w płytkę mocującą. Umieść płytkę we wgłębieniu w górnej części statywu.
- Dokręć pokrętło radetkowane znajdujące się na głowicy statywu w celu zamocowania tubusu do statywu.
- Wkręć ramię do gwintowanego otworu w tylnej części mocowania.

Modele z montażem widłowym (rys. 3c):

- Wykręć śrubę blokującą z pręta regulacyjnego mikroruchów.
- Wprowadź pręt do otworu z boku montażu widłowego.
- Umieść tubus teleskopu pomiędzy ramionami montażu widłowego tak, aby otwory w tubusie zrównały się z otworami w ramionach. Dokręć tubus teleskopu do montażu za pomocą śrub radetkowanych.
- Zamocuj drugi koniec pręta do tubusu teleskopu, wprowadzając śrubę przez trzon i otwory i dokręcając go.

Akcesoria optyczne

Teleskop można wyposażyć w dodatkowe akcesoria, takie jak okulary, lustra diagonalne lub pryzmaty albo soczewki Barlowa. Akcesoria należy montować w podanej kolejności.

Refraktory (rys. 1a, 1b, 1c): Poluzuj śrubę radetkowaną wyciągu. Wsuń lustro diagonalne do tubusu wyciągu i dokręć śrubę radetkowaną, aby zamocować lustro diagonalne (rys. 5a). Następnie wsuń odpowiedni okular do lustra diagonalnego i zamocuj go, dokręcając śrubę radetkowaną. W przypadku konieczności używania soczewki Barlowa zamontuj ją między lustrem diagonalnym a okulem. Aby uzyskać bezpośredni obraz, można użyć okularu odwracającego.

Zwierciadła (rys. 1d): Poluzuj śrubę radetkowaną wyciągu i zdejmij osłonę z tworzywa sztucznego z tubusu wyciągu. Wsuń wybrany okular i zamocuj go, dokręcając śrubę radetkowaną (rys. 5b). W przypadku konieczności używania soczewki Barlowa zamontuj ją między wyciągiem a okulem.

Soczewka Barłowa

Soczewka Barłowa zwiększa powiększenie okularu, ograniczając jednocześnie pole widzenia. Rozszerza ona stożek skupionego światła przed dotarciem do ogniska, dzięki czemu ogniskowa teleskopu ulegnie wydłużeniu w stosunku do okularu. Oprócz zwiększania powiększenia soczewka Barłowa pomaga zwiększyć oddalenie źrenicy wyjściowej oraz zredukować aberrację sferyczną okularu. Z tego powodu korzystanie z soczewki Barłowa i drugiej soczewki często pozwala uzyskać lepsze rezultaty niż przy korzystaniu z jednej soczewki o tym samym powiększeniu. Najważniejszą zaletą soczewki Barłowa jest możliwość podwojenia liczby posiadanych okularów.

Montaż i wyrównywanie lunety nastawczej

Odkręć dwie śruby znajdujące się w tylnej części tubusu teleskopu. Umieść podstawę lunety nastawczej nad otworami w tubusie. Zamocuj lunetę nastawczą we właściwym ustawieniu, dokręcając śruby (rys. 4).

Lunety nastawcze to niezwykle przydatne akcesoria. Ich prawidłowe wyrównanie względem teleskopu pozwala na szybkie lokalizowanie obiektów i ustawianie ich na środku pola widzenia. Wyrównywanie najlepiej przeprowadzać na zewnątrz w ciągu dnia, kiedy lokalizowanie obiektów jest łatwiejsze. W pierwszej kolejności należy ponownie ustawić ostrość obrazu w lunecie nastawczej (jeżeli to konieczne).

Aby wyrównać lunetę nastawczą, wybierz obiekt znajdujący się w odległości co najmniej 450 m i skieruj na niego teleskop. Wyreguluj teleskop w taki sposób, aby obiekt znalazł się w środku pola widzenia okularu. Spójrz przez lunetę nastawczą i sprawdź, czy obiekt ten znajduje się również na środku jej krzyżyka. Do ustawienia krzyżyka lunety nastawczej na obiekcie użyj trzech śrub regulacyjnych (rys. 7).

Ustawianie ostrości

Powoli obróć pokrętła regulacyjne aż do wyostrenia obrazu w okularze. Ze względu na niewielkie wahania temperatury, wygięcia itp. zazwyczaj należy nieznacznie regulować ostrość obrazu. Zmiana ostrości jest konieczna niemal zawsze w przypadku wymiany okularu czy dodawania lub zmiany soczewki Barłowa (refraktor 6a, reflektor 6b).

Obsługa montażu

Montaż AZ to montaż elewacyjno-azymutalny umożliwiający obracanie teleskopu w płaszczyznach pionowej i poziomej oraz zmianę jego wysokości i azymutu. Aby wyregulować ustawienie w poziomie, poluzuj duże pokrętło blokujące znajdujące się pod podstawą montażu i obróć tubus względem osi lewej lub prawej, a następnie dokręć pokrętło z powrotem. Aby wyregulować ustawienie w pionie, poluzuj pokrętło regulacji pionowej i obróć tubus. Obracaj pokrętło mikroruchów wysokości dla bardziej precyzyjnej regulacji wysokości. Następnie obróć koto rowkowane na drążku mikroruchów.

Do bardziej precyzyjnej regulacji użyj pokrętła mikroruchów w pionie. Ze względu na ruch Ziemi obiekty będą nieustannie przesuwać się i znikać z pola widzenia, do kontynuowania obserwacji konieczne więc będzie regulowanie ustawienia teleskopu w pionie i w poziomie.

Materiały referencyjne zawierają zazwyczaj informacje o współrzędnych deklinacji podane w stopniach, godzinach i minutach poniżej lub powyżej linii horyzontu. Współrzędne azymutalne mogą być podane według kierunków na kompasie (N, SW, ENE itp.), jednak częściej podaje się je w skali 360-stopniowej, gdzie północ oznaczana jest przez 0°, wschód — przez 90° itp. (rys. 8).

Dane techniczne

	Discovery Spark 506 AZ	Discovery Spark 607 AZ	Discovery Spark 703 AZ	Discovery Spark 707 AZ	Discovery Spark 767 AZ	Discovery Spark 114 AZ
Konstrukcja optyczna	refraktor				teleskop zwierciadlany (reflektor)	
Materiał układu optycznego	szkło optyczne z powłoką przeciwoodblaskową					
Apertura, mm	50	60	70	70	76	114
Ogniskowa, mm	600	700	300	700	700	900
Maksymalne powiększenie, x	100	120	140	140	152	228
Liczba przystony	f/12	f/11,6	f/4	f/10	f/9	f/7,9
Materiał tubusu	metal					
Montaż	azymut (AZ)					
Tubus ogniskujący	0,965"	0,965"	0,965"	1,25"	0,965"	1,25"

Statyw	aluminiowy, 630—1130 mm	aluminiowy, 600—1000 mm	aluminiowy, 350 mm	aluminiowy, 670—1230 mm	aluminiowy, 600—1000 mm	aluminiowy, 670—1230 mm
Tacka na akcesoria	-	+	-	+	+	+
Luneta nastawcza	5x24, optyczna	5x24, optyczna	-	5x24, optyczna	5x24, optyczna	6x30, optyczna
Okulary	6 mm 20 mm	4 mm 12,5 mm 20 mm	6 mm 20 mm	4 mm 12,5 mm 20 mm	4 mm 12,5 mm 20 mm	4 mm 12,5 mm 20 mm
Lustro ukośne	90°	90°	90°	90°	-	-
Soczewka Barlowa	3x	3x	3x	3x	2x	2x
Okular odwracający	-	1,5x	1,5x	1,5x	-	-

Producent zastrzega sobie prawo wprowadzenia zmian w ofercie produktów i specyfikacjach bez uprzedniego powiadomienia.

Konserwacja i pielęgnacja

- Pod żadnym pozorem nie wolno kierować urządzenia bezpośrednio na słońce, światło laserowe lub inne źródło jasnego światła bez stosowania specjalnego filtra, ponieważ może to spowodować TRWAŁE USZKODZENIE SIATKÓWKI lub doprowadzić do ŚLEPOTY.
 - Zachowaj szczególną ostrożność, gdy urządzenia używają dzieci lub osoby, które nie w pełni zapoznały się z instrukcjami.
 - Nie podejmuj prób samodzielnego demontażu urządzenia. W celu wszelkich napraw i czyszczenia skontaktuj się z punktem serwisowym.
 - Nie używaj przyrządu, jeśli soczewka jest zaparowana. Nie wycieraj soczewki! Usuń wilgoć przy użyciu suszarki do włosów lub skieruj teleskop w dół, aż wilgoć sama wyparuje.
 - Chronić urządzenie przed upadkami z wysokości i działaniem nadmiernej siły mechanicznej.
 - Nie dotykaj powierzchni optycznych palcami. Wyczyść powierzchnię soczewki sprężonym powietrzem lub specjalną miękką ściereczką do czyszczenia soczewek. Do czyszczenia zewnętrznych powierzchni teleskopu używaj tylko specjalnych ściereczek i narzędzi do czyszczenia optyki.
 - Przyrząd powinien być przechowywany w suchym, chłodnym miejscu, z dala od niebezpiecznych kwasów oraz innych substancji chemicznych, grzejników, otwartego ognia i innych źródeł wysokiej temperatury.
 - Jeśli teleskop nie jest używany, załóż osłonę przeciwpyłową na jego przednią część. Zawsze wkładaj okulary do futerałów ochronnych i zakrywaj je osłonami. Zapobiegnie to gromadzeniu się kurzu na powierzchni lustra i soczewki.
 - Nasmaruj elementy mechaniczne zawierające łączniki z metalu i tworzywa sztucznego. Elementy wymagające smarowania:
 - Tubus
 - Mechanizmy precyzyjne (prowadnica wyciągu, wyciąg precyzyjny tubusu teleskopu)
 - Montaż
 - Przekładnie ślimakowe, łożyska, koła zębate, połączenia gwintowane montażu
- Stosuj smary uniwersalne na bazie silikonu o zakresie temperatur roboczych od -60 do +180°C.
- W razie potknięcia jakiegokolwiek części lub baterii należy natychmiast skontaktować się z lekarzem.
 - Używanie teleskopu przez dzieci może odbywać się tylko pod nadzorem osób dorosłych.

Gwarancja Levenhuk

Produkty Levenhuk, z wyjątkiem dedykowanych do nich akcesoriów, mają **10-letnią gwarancję** na wady materiałowe i wykonawcze. Wszystkie akcesoria Levenhuk są wolne od wad materiałowych oraz wykonawczych i pozostaną takie przez **2 lata** od daty zakupu detalicznego. Levenhuk naprawi lub wymieni produkt w dowolnym kraju, w którym Levenhuk posiada swój oddział, o ile spełnione będą warunki gwarancji.

Więcej informacji na ten temat podano na stronie: www.levenhuk.pl/gwarancja

W przypadku wątpliwości związanych z gwarancją lub korzystaniem z produktu, proszę skontaktować się z lokalnym przedstawicielem Levenhuk.



ATENÇÃO! Nunca olhe diretamente para o sol — nem mesmo durante um breve instante — através do telescópio ou do buscador sem um filtro solar de fabrico profissional que cubra a parte frontal do instrumento. Caso contrário, poderá sofrer danos oculares permanentes. Para evitar danificar as peças internas do seu telescópio, certifique-se de que a parte frontal do buscador está coberta com folha de alumínio ou qualquer outro material não transparente. As crianças só devem utilizar o telescópio sob supervisão de um adulto.

Todas as peças do telescópio serão entregues numa caixa. Tenha especial cuidado ao abrir a embalagem. Recomendamos que guarde as embalagens de envio originais. Caso o telescópio tenha de ser enviado para outra localização, ter as embalagens de transporte adequadas irá ajudar a garantir que o seu telescópio sobrevive à viagem intacto. Certifique-se de que inspeciona a caixa cuidadosamente, uma vez que algumas partes são muito pequenas. Todos os parafusos devem ser apertados de forma segura para eliminar qualquer movimento, mas tenha cuidado para não os apertar em demasia, uma vez que poderá danificar os sulcos roscados. Durante a montagem (e, para todos os efeitos, em qualquer altura), não toque nas superfícies dos elementos óticos com os dedos. As superfícies óticas contêm materiais de revestimento delicados, os quais podem ficar danificados em caso de contacto direto. Nunca remova lentes ou espelhos da respetiva estrutura, caso contrário a garantia do produto será considerada nula.

Montagem do telescópio

- Desaperte lentamente os botões de bloqueio do tripé e, com cuidado, puxe a secção inferior de cada perna do tripé. Aperte os grampos de fixação para bloquear as pernas do tripé. Afaste as pernas do tripé para colocar o tripé na vertical (exceto Discovery Spark 703 AZ) (fig. 2).
- Afaste as pernas do tripé para colocar o tripé na vertical.
- Ajuste a altura de cada perna do tripé até que a cabeça do tripé esteja corretamente nivelada. Tenha em atenção que as pernas do tripé podem não ter o mesmo comprimento quando a montagem equatorial está nivelada (exceto Discovery Spark 703 AZ).
- Coloque o tabuleiro de acessórios sobre o suporte e fixe-o com parafusos a partir da parte inferior ou fixe o tabuleiro de acessórios com um parafuso no meio do tabuleiro (exceto Discovery Spark 506 AZ, Discovery Spark 703 AZ).

Junção da montagem

Montagem sem garfo (fig. 3a):

- Remova o botão de bloqueio da altitude da cabeça de montagem.
- Coloque o tubo ótico do telescópio na montagem em altazimute de modo a que o orifício no tubo ótico fique alinhado com o orifício na cabeça de montagem.
- Insira o botão de bloqueio da altitude na cabeça de montagem e no tubo ótico. Certifique-se de que o orifício está livre antes de apertar o botão. Fixe o botão de bloqueio da altitude.

Montagem sem garfo (fig. 3b):

- O tubo do telescópio tem uma aba de montagem na parte inferior. Coloque esta aba na ranhura na parte superior do tripé.
- Aperte o botão serrilhado na cabeça do tripé para juntar o tubo ao tripé.
- Aparafuse o controlo de movimento lento de altitude ao suporte roscado na parte de trás da montagem.

Montagem em garfo (fig. 3c):

- Retire o parafuso de bloqueio da barra de controlo de movimento lento.
- Insira a barra no orifício na parte lateral da montagem em garfo.
- Coloque o tubo do telescópio entre os braços do garfo de modo a que os orifícios no tubo correspondam aos orifícios do braço. Fixe o tubo do telescópio à montagem com parafusos.
- Fixe a outra extremidade da barra ao tubo do telescópio inserindo o parafuso através dos orifícios do eixo e do tubo e apertando-o.

Montagem dos acessórios óticos

O seu telescópio pode ser equipado com acessórios adicionais, como oculares, espelhos diagonais ou prismas, ou uma lente Barlow. Os acessórios devem ser instalados numa ordem correta e pré-definida.

Refratores (fig. 1a, 1b, 1c): Desaperte o parafuso do focador. Insira o espelho diagonal no tubo de focagem e aperte novamente o parafuso para bloquear o espelho diagonal na sua posição (fig. 5a). Em seguida, insira a ocular pretendida no espelho diagonal e fixe-a apertando o parafuso. Se for necessária uma lente Barlow, instale-a entre o espelho diagonal e a ocular. Pode utilizar o sistema de alongamento para obter uma imagem direta.

Refletores (fig. 1d): Desaperte o parafuso do focador e retire a tampa de plástico do tubo do focador. Insira a ocular selecionada e fixe-a apertando o parafuso (fig. 5b). Se for necessária uma lente Barlow, instale-a entre o focador e a ocular.

Lente de Barlow

Uma lente de Barlow aumenta a potência de ampliação de uma ocular, ao mesmo tempo que reduz o campo de visão. Expande o cone da luz direcionada antes de alcançar o ponto focal, de modo que o comprimento focal do telescópio pareça mais longo na ocular. Além de aumentar a ampliação, a utilização de uma lente de Barlow tem como benefícios um maior alívio para os olhos e uma menor aberração esférica da ocular. Por esta razão, uma Barlow mais uma lente superam, muitas vezes, uma única lente com a mesma ampliação. A melhor vantagem é que uma lente de Barlow pode duplicar o número de oculares na sua coleção.

Montagem e alinhamento do apontador ótico

Desaperte os dois parafusos na parte de trás do tubo do telescópio. Coloque a base do apontador acima dos furos no tubo. Fixe a base do apontador no seu devido lugar apertando os parafusos (fig. 4).

Os apontadores óticos são acessórios muito úteis. Quando estão corretamente alinhados com o telescópio, os objetos podem ser rapidamente localizados e direcionados para o centro da mira. Rode a extremidade do apontador para dentro e para fora para ajustar o foco.

Para alinhar o apontador, escolha um objeto que esteja a uma distância de pelo menos 500 metros e aponte o telescópio para o objeto. Ajuste o telescópio de modo a colocar o objeto no centro da mira da ocular. Verifique o apontador para ver se o objeto também está centrado na mira. Use três parafusos de ajuste para centrar a mira do apontador no objeto (fig. 7).

Foco

Rode lentamente os botões de foco em uma direção ou outra até que a imagem observada na ocular seja nítida. Com o tempo, pode ser necessário focar novamente a imagem utilizando o ajuste de precisão, devido a variações minúsculas causadas por alterações de temperatura, torções, etc. A nova focagem é quase sempre necessária depois de mudar de ocular ou após adicionar ou remover uma lente Barlow (refrator 6a; refletor 6b).

Operação da montagem

A montagem AZ é uma montagem altazimute que lhe permite rodar o telescópio sobre os eixos verticais e horizontais e alterar a sua altitude e azimute. Para regular o azimute, desaperte o botão de bloqueio grande sob a base da montagem, rode o tubo para a esquerda ou para a direita em torno do eixo e aperte novamente. Aperte o controle de movimento lento de altitude para um ajuste de altura mais preciso. Em seguida, rode a roda serrilhada na barra de controle de movimento lento de altitude.

Para movimentos mais precisos, utilize o controle de movimento lento de altitude. Devido ao movimento da Terra, os objetos irão movimentar-se constantemente para fora do seu ângulo de visão, por isso, terá de ajustar a altitude e o azimute do seu telescópio para continuar as suas observações.

Os materiais de referência geralmente enumeram as coordenadas de declinação em graus, horas e minutos acima ou abaixo da linha do horizonte. As coordenadas do azimute podem, por vezes, ser enumeradas com os ponteiros da bússola (N, SO, ENE, etc.), mas são mais comumente enumeradas em graus ao redor do plano de 360 graus, onde o norte é 0°, este é 90°, etc. (fig. 8).

Especificações

	Discovery Spark 506 AZ	Discovery Spark 607 AZ	Discovery Spark 703 AZ	Discovery Spark 707 AZ	Discovery Spark 767 AZ	Discovery Spark 114 AZ
Estrutura ótica	refractor				Refletor newtoniano	
Material ótico	vidro ótico com revestimento anti-reflexo					
Abertura, mm	50	60	70	70	76	114
Distância focal, mm	600	700	300	700	700	900
Ampliação máxima prática, x	100	120	140	140	152	228
Abertura focal	f/12	f/11,6	f/4	f/10	f/9	f/7,9
Material do tubo	metal					
Montagem	azimute (AZ)					
Diâmetro da ocular	0,965"	0,965"	0,965"	1,25"	0,965"	1,25"
Tripé	alumínio, 630—1130 mm	alumínio, 600—1000 mm	alumínio, 350 mm	alumínio, 670—1230 mm	alumínio, 600—1000 mm	alumínio, 670—1230 mm
Tabuleiro de acessórios	-	+	-	+	+	+

Buscador	5x24, óptico	5x24, óptico	-	5x24, óptico	5x24, óptico	6x30, óptico
Oculares	6 mm 20 mm	4 mm 12,5 mm 20 mm	6 mm 20 mm	4 mm 12,5 mm 20 mm	4 mm 12,5 mm 20 mm	4 mm 12,5 mm 20 mm
Espelho diagonal	90°	90°	90°	90°	-	-
Lente de Barlow	3x	3x	3x	3x	2x	2x
Ocular com regulação de imagem	-	1,5x	1,5x	1,5x	-	-

O fabricante se reserva no direito de fazer alterações na variedade e nas especificações dos produtos sem notificação prévia.

Cuidado e manutenção

- **Nunca, em qualquer circunstância, olhe diretamente para o sol, para outra fonte de luz intensa ou para um laser através deste dispositivo sem um filtro especial, pois isso pode causar DANOS PERMANENTES NA RETINA e levar à CEGUEIRA.**
- Tome as precauções necessárias quando usar o dispositivo com crianças ou com outras pessoas que não leram ou não compreenderam totalmente estas instruções.
- Não tente desmontar o dispositivo por conta própria, por qualquer motivo. Para fazer reparações e limpezas de qualquer tipo, entre em contato com o centro local de serviços especializados.
- Pare de usar o dispositivo se a lente ficar embaciada. Não limpe a lente! Remova a humidade com um secador de cabelo ou aponte o telescópio para baixo até que a humidade se evapore naturalmente.
- Proteja o dispositivo de impactos súbitos e de força mecânica excessiva.
- Não toque nas superfícies óticas com os dedos. Limpe a superfície da lente com ar comprimido ou um pano de limpeza suave para lentes. Para limpar o exterior do dispositivo, use apenas os toalhetes de limpeza especiais e as ferramentas especiais recomendadas para limpeza dos elementos óticos.
- Guarde o dispositivo num local seco e fresco, longe de ácidos perigosos e outros produtos químicos, de aquecedores, de fogo e de outras fontes de altas temperaturas.
- Quando não estiver a usar o telescópio, recoloque a tampa antipoeira na extremidade frontal do telescópio. Coloque sempre as oculares nos seus estojos de proteção e cubra-as com as suas tampas. Deste modo, impede que poeiras ou sujidades se acumulem nas superfícies do espelho ou da lente.
- Lubrifique os componentes mecânicos com peças de ligação em metal e plástico. Componentes a lubrificar:
 - Tubo ótico;
 - Mecânica fina (calha do focador, microfocador do tubo ótico do telescópio);
 - Montagem;
 - Pares de parafusos sem-fim, rolamentos, rodas dentadas, engrenagens de montagem roscadas.

Utilize massas lubrificantes à base de silicone para todos os fins com um intervalo de temperatura de funcionamento de -60 ... +180 °C.

- Se uma parte do dispositivo ou a bateria for engolida, procure imediatamente assistência médica.
- **As crianças só devem usar o telescópio sob a supervisão de um adulto.**

Garantia Levenhuk

Os produtos óticos Levenhuk estão abrangidos por uma **garantia de 10 anos** contra defeitos de material e de fabrico. Todos os acessórios Levenhuk têm a garantia de isenção de defeitos de material e de fabrico durante **2 anos** a partir da data de compra a retalho. A garantia inclui o direito à reparação ou substituição gratuita do produto Levenhuk em qualquer país que tenha uma filial da Levenhuk, caso estejam reunidas todas as condições da garantia.

Para mais detalhes, visite o nosso web site: www.levenhuk.eu/warranty

Se surgirem problemas relacionados à garantia ou se for necessária assistência no uso do produto, contate a filial local da Levenhuk.



ВНИМАНИЕ! Во избежание повреждения глаз никогда, даже на мгновение, не смотрите на Солнце в телескоп или искатель без профессионального солнечного апертурного фильтра, закрывающего переднюю часть прибора. При этом лицевая часть искателя должна быть закрыта алюминиевой фольгой или другим непрозрачным материалом для предотвращения повреждения внутренних частей телескопа. Дети могут пользоваться телескопом только под присмотром взрослых.

Все части телескопа поставляются в одной коробке. Распаковывая телескоп, будьте аккуратны и осторожны. Рекомендуем сохранить упаковку: использование оригинальной упаковки во время перевозки гарантирует целостность и сохранность инструмента. Внимательно осмотрите коробку, так как некоторые детали имеют малые размеры и могут затеряться. Во время сборки телескопа все винты должны быть надежно затянуты для исключения колебаний. **ВНИМАНИЕ! НЕ ПЕРЕТЯНИТЕ ВИНТЫ, ЧТОБЫ НЕ СОРВАТЬ РЕЗЬБУ!** В процессе сборки и во время использования телескопа **НЕ КАСАЙТЕСЬ** пальцами линз телескопа, искателя или окуляра. Оптические поверхности имеют тонкое покрытие, которое легко повредить при касании. **НЕ ВЫНИМАЙТЕ** линзы и зеркала из корпусов, так как это аннулирует гарантийное соглашение.

Сборка треноги

- Ослабьте фиксаторы высоты ножек треноги и аккуратно вытяните нижнюю секцию каждой ножки треноги. Затяните фиксаторы, чтобы закрепить ножки в нужном положении (кроме модели Discovery Spark 703 AZ) (рис. 2).
- Раздвиньте ножки треноги и установите ее.
- Отрегулируйте высоту ножек так, чтобы выровнять верхнюю часть треноги по горизонтали. Учтите, что при этом ножки треноги могут быть разной длины (кроме модели Discovery Spark 703 AZ).
- Поместите лоток для аксессуаров поверх крепления и закрепите его снизу фиксирующими барашковыми винтами или закрепите лоток для аксессуаров с помощью одного винта в центре (кроме моделей Discovery Spark 506 AZ и Discovery Spark 703 AZ).

Установка монтировки

Безвилочная конструкция (рис. 3a):

- Выкрутите фиксатор высоты из головки треноги.
- Установите трубу на азимутальную монтировку так, чтобы отверстие на трубе совпало с отверстием в головке треноги.
- Проденьте фиксатор высоты в отверстия на трубе и в головке треноги. Закрепите трубу телескопа на монтировке, затянув фиксатор.

Безвилочная конструкция (рис. 3b):

- На нижней части трубы телескопа расположено крепежное «ушко», совместите его с соответствующим креплением на площадке треноги.
- Для фиксации трубы телескопа затяните винт на нижней части площадки треноги,
- Ввинтите ручку регулировки по высоте в резьбовое гнездо на задней части монтировки.

Вилочная конструкция (рис. 3c):

- Выкрутите винт из ручки регулировки по высоте.
- Вставьте ручку регулировки высоты в боковое отверстие вилочной монтировки.
- Вдвиньте трубу телескопа так, чтобы отверстия на трубе совпали с отверстиями вилочной монтировки. Закрепите трубу телескопа на монтировке, соединив барашковыми винтами отверстия трубы и монтировки.
- Закрепите другой конец ручки регулировки по высоте на трубе, соединив винтом отверстия ручки и трубы телескопа.

Установка оптических аксессуаров

Ваш телескоп может комплектоваться дополнительными аксессуарами: окулярами, диагональным зеркалом или призмой, линзой Барлоу. Аксессуары устанавливаются в строго определенном порядке.

Рефрактор (рис. 1a, 1b и 1c): ослабьте фиксатор диагонального зеркала на тубусе фокусера, вставьте диагональное зеркало в тубус и затяните фиксатор, чтобы зафиксировать диагональное зеркало (рис. 5a). Затем ослабьте фиксатор диагонального зеркала с помощью стопорных винтов; вставьте необходимый окуляр в диагональное зеркало и зафиксируйте его, затянув стопорный винт. Если вы хотите использовать линзу Барлоу, установите ее между диагональным зеркалом и окуляром. Для получения прямого изображения также можно использовать оборачивающий окуляр.

Рефлектор (рис. 1d): ослабьте стопорный винт и снимите пластиковую заглушку с тубуса фокусера. Установите выбранный окуляр и зафиксируйте его, затянув стопорный винт (рис. 5b). Если вы хотите использовать линзу Барлоу, установите ее между фокусером и окуляром.

Линза Барлоу

Линза Барлоу используется вместе с окулярами для достижения максимального увеличения. При использовании линзы Барлоу уменьшается поле зрения, а фокусное расстояние телескопа становится больше (вдвое, если используется линза Барлоу 2х, и втрое, если используется линза Барлоу 3х). Помимо дополнительного увеличения преимущества использования линзы Барлоу заключаются в улучшенном выносе зрачка и уменьшении сферических искажений в окуляре. Но самое большое преимущество линзы Барлоу состоит в том, что при том же количестве окуляров в вашей коллекции вам доступен больший диапазон увеличений.

Установка и настройка оптического искателя

Выкрутите два рифленых винта из отверстий в трубе телескопа; установите искатель над отверстиями и закрепите его двумя рифлеными винтами (рис. 4).

Оптические искатели, закрепляемые на оптической трубе, — очень полезные приспособления. Когда они правильно настроены, объекты легко находить и удерживать в центре поля зрения. Вращайте переднюю часть искателя, пока не получите четкий фокус.

Выберите удаленный объект на расстоянии не менее 500 метров от вас и нацельте на него телескоп. Отрегулируйте телескоп так, чтобы объект попал в центр поля зрения окуляра. Убедитесь, что объект, центрированный в трубе телескопа, находится в центре визирной сетки искателя. Используя три юстировочных винта, центрируйте визирную сетку искателя на объекте (рис. 7).

Фокусировка

Медленно поворачивайте ручки фокусировки, пока изображение в окуляре не станет четким. Время от времени приходится заново фокусировать изображение, так как изменения температуры, состояния атмосферы и прочих условий влияют на фокус. Практически всегда требуется повторная фокусировка при смене окуляра или установке/снятии линзы Барлоу (рис. 6а: рефрактор, рис. 6b: рефлектор).

Монтировка и наведение телескопа

Монтировка AZ — альт-азимутальная монтировка, позволяющая перемещать трубу телескопа по высоте (вверх-вниз) и азимуту (влево-вправо). Чтобы повернуть трубу телескопа влево или вправо, ослабьте фиксатор оси азимута, поверните трубу и затяните фиксатор. Чтобы передвинуть телескоп вверх или вниз, ослабьте фиксатор по высоте и передвиньте трубу. Для более точной настройки по высоте затяните фиксатор по высоте, затем вращайте рифленое колесико на стержне ручки регулировки по высоте.

Поскольку Земля вращается, объекты будут постоянно уходить из поля зрения окуляра. Поэтому вам нужно постоянно подводить телескоп как по высоте, так и по азимуту, чтобы удержать объект в поле зрения.

В справочных материалах позиции высот относительно вашего местонахождения указываются в градусах (минутах, секундах) выше или ниже вашего горизонта. Азимут может быть указан основными точками компаса (N, SW, ENE и т. п.), но обычно его указывают в шагах по часовой стрелке по шкале 360 градусов, от севера (0°) через восток, юг и запад (90°, 180° и 270° соответственно) (рис. 8).

Технические характеристики

	Discovery Spark 506 AZ	Discovery Spark 607 AZ	Discovery Spark 703 AZ	Discovery Spark 707 AZ	Discovery Spark 767 AZ	Discovery Spark 114 AZ
Оптическая схема	рефрактор-ахромат				рефлектор Ньютона	
Материал оптики	оптическое стекло с антибликовым покрытием					
Апертура, мм	50	60	70	70	76	114
Фокусное расстояние, мм	600	700	300	700	700	900
Макс. полезное увеличение, крат	100	120	140	140	152	228
Светосила	f/12	f/11,6	f/4	f/10	f/9	f/7,9
Материал трубы	металл					
Монтировка	азимутальная (AZ)					
Посадочный диаметр окуляров	0,965"	0,965"	0,965"	1,25"	0,965"	1,25"
Тренога	алюминиевая, 630—1130 мм	алюминиевая, 600—1000 мм	алюминиевая, 350 мм	алюминиевая, 670—1230 мм	алюминиевая, 600—1000 мм	алюминиевая, 670—1230 мм

Лоток для аксессуаров	-	+	-	+	+	+
Искатель	5х24, оптический	5х24, оптический	-	5х24, оптический	5х24, оптический	6х30, оптический
Окуляры	6 мм 20 мм	4 мм 12,5 мм 20 мм	6 мм, 20 мм	4 мм 12,5 мм 20 мм	4 мм 12,5 мм 20 мм	4 мм 12,5 мм 20 мм
Диагональное зеркало	90°	90°	90°	90°	-	-
Линза Барлоу	3х	3х	3х	3х	2х	2х
Оборачивающий окуляр	-	1,5х	1,5х	1,5х	-	-

Производитель оставляет за собой право вносить любые изменения или прекращать производство изделия без предварительного уведомления.

Уход и хранение

- **Никогда не смотрите в прибор на Солнце или область рядом с ним без специального фильтра, а также на другой источник яркого света или лазерного излучения. ЭТО ОПАСНО ДЛЯ ЗРЕНИЯ И МОЖЕТ ПРИВЕСТИ К СЛЕПОТЕ!**
- Будьте внимательны, если пользуетесь прибором вместе с детьми или людьми, не знакомыми с инструкцией.
- Не разбирайте прибор. Сервисные и ремонтные работы могут проводиться только в специализированном сервисном центре.
- В случае запотевания объектива прекратите наблюдения. Не протирайте объектив! Удалите влагу с помощью фена или, направив телескоп вниз, дождитесь естественного испарения влаги.
- Оберегайте прибор от резких ударов и чрезмерных механических воздействий.
- Не касайтесь пальцами поверхностей линз. Очищайте поверхность линз сжатым воздухом или мягкой салфеткой для чистки оптики. Для внешней очистки прибора используйте специальную салфетку и специальные чистящие средства, рекомендованные для чистки оптики.
- Храните прибор в сухом прохладном месте, недоступном для воздействия кислот или других активных химических веществ, вдали от отопителей (бытовых, автомобильных) и от открытого огня и других источников высоких температур.
- Когда прибор не используется, всегда надевайте на него пылезащитную крышку. Всегда убирайте окуляры в защитные футляры и закрывайте их крышками. Это защищает поверхность линз и зеркал от попадания пыли и грязи.
- Узлы механики с металлическими и пластмассовыми деталями сопряжения необходимо смазывать. Узлы, обязательные для смазки:
 - труба оптическая;
 - точная механика: рейка фокусера, микрофокусер оптических труб телескопов;
 - монтировка;
 - червячные пары, подшипники, шестерни и резьбовые передаточные механизмы монтировок.
 Используйте универсальные смазки на основе силикона с диапазоном рабочих температур $-60 \dots +180^\circ \text{C}$.
- Если деталь прибора или элемент питания были проглочены, срочно обратитесь за медицинской помощью.
- **Дети могут пользоваться прибором только под присмотром взрослых.**

Гарантия Levenhuk

Компания Levenhuk гарантирует отсутствие дефектов в материалах конструкции и дефектов изготовления изделия. Продавец гарантирует соответствие качества приобретенного вами изделия компании Levenhuk требованиям технической документации при соблюдении потребителем условий и правил транспортировки, хранения и эксплуатации изделия. Срок гарантии: на аксессуары — **6 (шесть) месяцев** со дня покупки, на остальные изделия гарантия действует **10 (десять) лет**. Гарантия позволяет бесплатно отремонтировать или обменять продукт Levenhuk, подпадающий под условия гарантии, в любой стране, где есть офис Levenhuk.

Подробнее об условиях гарантийного обслуживания см. на сайте www.levenhuk.ru/support

По вопросам гарантийного обслуживания вы можете обратиться в ближайшее представительство компании Levenhuk.



DİKKAT! Bir anlık dahi olsa Güneşe kesinlikle teleskopunuz veya bulucu dürbününüz aracılığıyla, cihazın önünü tamamen kapatan profesyonel olarak yapılmış bir güneş filtresi kullanmadan, doğrudan bakmayın; aksi takdirde kalıcı göz hasarı oluşabilir. Teleskopunuzun iç parçalarında hasar oluşmasını önlemek için bulucu dürbünün ön ucunun alüminyum folyo veya başka bir saydam olmayan malzeme ile kaplandığından emin olun. Çocuklar teleskopu yalnızca yetişkin gözetiminde kullanabilir.

Teleskopun tüm parçaları tek bir kutu içinde sunulacaktır. Ambalajı açarken dikkatli olun. Orijinal gönderimde kullanılan kutuları saklamanızı öneririz. Teleskopun başka bir konuma taşınması gerektiğinde uygun gönderim kutularının bulunması, teleskopunuzun bu yolculuğu zarar görmeden tamamlamasını sağlamaya yardımcı olacaktır. Bazı parçalar küçük olduğundan kutuyu dikkatlice kontrol ettiğinizden emin olun. Esneme ve sarkmanın önlenmesi için tüm vidalar sıkıca sıkılmalıdır ancak dişlere zarar verebileceğinden bunları aşırı sıkılamaya özen gösterin.

Montaj sırasında (ve bu bağlamda herhangi bir anda) optik bileşenlerin yüzeylerine parmaklarınızla dokunmayın. Optik yüzeylerde dokunulması halinde kolaylıkla zarar görebilecek hassas kaplamalar mevcuttur. Kesinlikle mercekleri veya aynaları muhafazalarından çıkarmayın; aksi takdirde ürün garantisi geçersiz ve hükümsüz olacaktır.

Üç ayaklı sehpa montajı

- Üç ayaklı sehpanın kilitleme düğmelerini yavaşça açın ve her bir ayağın alt bölümünü nazikçe çekip çıkarın. Ayakları sabitlemek için vidaları sıkın (Discovery Spark 703 AZ haricinde) (şek. 2).
- Üç ayaklı sehpayı dik tutmak için ayakları açın.
- Her bir ayağın yüksekliğini, sehpa başlığının eşitlendiği düzeye ayarlayın. Kundak eşitlendiğinde tripod ayaklarının aynı uzunlukta olmayabileceğine dikkat edin (Discovery Spark 703 AZ haricinde).
- Aksesuar tepsisini braketin üstüne yerleştirin ve alttan kanatlı vidalarla sabitleyin ya da aksesuar tepsisini tepsinin ortasından bir vidayla sabitleyin (Discovery Spark 506 AZ, Discovery Spark 703 AZ haricinde).

Kundak kurulumu

Çatalsız kundak (şek. 3a):

- Kundak kafasından yükseklik kilitleme düğmesini çıkarın.
- Optik tüpteki delik kundak kafasındaki delik ile hizaya gelecek şekilde teleskop optik tüpünü altazimut kundağın üzerine yerleştirin.
- Yükseklik kilitleme düğmesini kundak kafası ve optik tüpten geçirerek takın. Düğmeyi sıkmadan önce deliğin tüm geçiş yolu boyunca tam engelsiz olduğundan emin olun. Yükseklik kilitleme düğmesini tam sıkın.

Çatalsız kundak (şek. 3b):

- Teleskop tüpünün alt tarafında bir montaj tırnağı bulunur. Bu tırnağı üç ayaklı sehpanın üzerindeki yuvaya yerleştirin.
- Tüpü üç ayaklı sehpaya takmak için sehpa başlığının üzerindeki tırtıklı düğmeyi sıkın.
- Yükseklik ağırlık çekim kontrol birimini kundağın arkasındaki dişli sokete vidalayın.

Çatal kundak (şek. 3c):

- Kilitleme vidasını yavaş hareket kumandası çubuğundan çıkarın.
- Çubuğu çatal kundağın yan tarafındaki deliğe yerleştirin.
- Teleskop tüpünü çatal kollarının arasına getirerek tüpteki deliklerin koldaki deliklerle eşleşmesini sağlayın. Teleskop tüpünü parmak vidalarıyla kundağa sabitleyin.
- Vidayı mil ve tüp deliklerinden geçirerek ve sıkarak çubuğun diğer ucunu teleskop tüpüne sabitleyin.

Optik aksesuarların kurulumu

Teleskopunuz, göz mercekleri, diyagonal prizma ya da Barlow mercek gibi ilave aksesuarlarla donatılabilir. Aksesuarlar iyi tanımlanmış bir sıralamada takılmalıdır.

Refraktörler (şek. 1a, 1b, 1c): Odaklayıcı parmak vidasını gevşetin. Diyagonal aynayı odaklayıcı tüpüne takın ve diyagonal aynayı yerinde tutmak için parmak vidayı yeniden sıkın (şek. 5a). Daha sonra istenilen göz merceğini diyagonal aynaya yerleştirin ve parmak vidayı sıkarak sabitleyin. Bir Barlow mercek gerekiyorsa, bu parçayı diyagonal ayna ile göz merceği arasına yerleştirin. Doğrudan görüntüyü almak için düzeltme göz merceğini kullanabilirsiniz.

Yansıtıcılar (şek. 1d): Odaklayıcı parmak vidasını gevşetin ve plastik kapağı odaklayıcı tüpünden çıkarın. Seçili göz merceğini yerleştirin ve parmak vidayı yeniden sıkarak sabitleyin (şek. 5b). Bir Barlow mercek gerekiyorsa, bu parçayı odaklayıcı ile göz merceği arasına yerleştirin.

Barlow mercek

Bir Barlow mercek, bir göz merceğinin büyütme oranını artırır ve bu süreçte görüş alanını azaltır. Odaklanan ışığın konisini odak noktasına ulaşmadan genişletir; bu şekilde teleskopun odak uzaklığı göz merceğine daha uzun görünür. Barlow mercek kullanımının faydaları arasında büyütme oranının artırılmasına ek olarak göz uzaklığının iyileştirilmesi ve göz

merceğinin küresel sapmasının azaltılması yer alır. Bu nedenle, bir merceğe ek olarak Barlow mercek kullanılması, aynı büyütme oranlı tek bir mercek kullanılmasından daha iyi bir performans sergilemektedir. Ve en iyi avantaj da Barlow merceğin koleksiyonunuzdaki göz merceği sayısını ikiye çıkarabilecek olmasıdır.

Optik bulucu dürbün kurulumu ve hizalaması

Teleskop tüpünün arkasındaki iki vidayı gevşetin. Bulucu dürbün tabanını tüp deliklerinin üzerine yerleştirin. Vidaları sıkarak bulucu dürbün tabanını yerine sabitleyin (şek. 4).

Optik bulucu dürbünler oldukça kullanışlı aksesuarlardır. Bunlar teleskop ile doğru hizalandığında, nesnelere hızla bulunabilir ve görüntünün merkezine getirilebilir. Odağı ayarlamak için dürbün ucunu içeri ve dışarı doğru çevirin (şek. 7). Bulucu dürbünü hizalamak için en az 500 metre uzaktaki bir nesneyi seçin ve teleskopu nesneye yöneltin. Teleskopu nesne göz merceğinin görüntüsünün ortasına gelecek şekilde ayarlayın. Nesnenin aynı zamanda artı göstergede de merkeze alındığından emin olmak için bulucu dürbünü kontrol edin. Bulucu dürbün artı göstergesini nesne üzerinde merkezlemek için üç ayar vidasını kullanın.

Odaklama

Göz merceğindeki görüntü keskin bir hal alana kadar odak düğmelerini yavaşça bir yöne ya da diğerine çevirin. Sıcaklık değişiklikleri, bükülmeler vb. nedenlerle yaşanan küçük değişikliklerden dolayı zaman içerisinde görüntüde ince yeniden odaklama ayarı yapılması gerekir. Bir göz merceğini değiştireceğinizde, bir Barlow mercek ekleyeceğinizde veya çıkaracağınızda neredeyse her zaman yeniden odaklama yapmanız gerekir (refraktör 6a, yansıtıcı 6b).

Kundağın çalıştırılması

AZ kundak, dikey ve yatay eksen çevresinde teleskopu döndürmenizi sağlayan bir altazimut kundaktır.

Azimutu ayarlamak için, kundak tabanı altındaki büyük kilitleme düğmesini gevşetin ve tüpü eksene göre sola veya sağa çevirin ve yeniden sıkın. Daha hassas yükseklik ayarlaması için yükseklik ağır çekim kontrol birimini sıkın. Daha sonra, yükseklik ağır çekim kontrol çubuğundaki tırtıklı düğmeyi çevirin.

Daha hassas hareketler için yükseklik ağır çekim kontrol birimini kullanın. Dünyanın hareketi nedeniyle nesnelere sürekli olarak görüşünüz içinde hareket edecek olduğundan gözlemlerinize devam etmek için teleskopunuzun yüksekliğini ve azimutunu düzenlemeniz gerekecektir.

Referans materyallerde genellikle yükselim koordinatları ufuk çizgisinin altında veya üstünde derece, saat ve dakika olarak listelenir. Azimut koordinatları bazı durumlarda pusula noktaları (N, SW, ENE vb.) ile listelenebilir ancak daha da yaygın olarak kuzeyin 0°, doğunun da 90° vb. olduğu 360 derecelik bir düzlemde listelenir (şek. 8).

Teknik Özellikler

	Discovery Spark 506 AZ	Discovery Spark 607 AZ	Discovery Spark 703 AZ	Discovery Spark 707 AZ	Discovery Spark 767 AZ	Discovery Spark 114 AZ
Optik tasarım	refraktör				Newton yansıtıcı	
Optik malzemesi	yansıma önleyici kaplamalı optik cam					
Açıklık, mm	50	60	70	70	76	114
Odak uzaklığı, mm	600	700	300	700	700	900
En yüksek pratik güç, x	100	120	140	140	152	228
Odak oranı	f/12	f/11,6	f/4	f/10	f/9	f/7,9
Tüp malzemesi	metal					
Kundak	azimut (AZ)					
Göz merceği borusu çapı	0,965"	0,965"	0,965"	1,25"	0,965"	1,25"
Üçayak	alüminyum, 630—1130 mm	alüminyum, 600—1000 mm	alüminyum, 350 mm	alüminyum, 670—1230 mm	alüminyum, 600—1000 mm	alüminyum, 670—1230 mm
Aksesuar tepsisi	-	+	-	+	+	+
Bulucu dürbün	5x24, optik	5x24, optik	-	5x24, optik	5x24, optik	6x30, optik
Göz mercekleri	6 mm 20 mm	4 mm 12,5 mm 20 mm	6 mm 20 mm	4 mm 12,5 mm 20 mm	4 mm 12,5 mm 20 mm	4 mm 12,5 mm 20 mm
Diyagonal ayna	90°	90°	90°	90°	-	-
Barlow mercek	3x	3x	3x	3x	2x	2x

Dik açılı göz merceği	-	1,5x	1,5x	1,5x	-	-
-----------------------	---	------	------	------	---	---

Üretici, ürün serisinde ve teknik özelliklerinde önceden bildirimde bulunmaksızın değişiklik yapma hakkını saklı tutar.

Bakım ve onarım

- Bu cihazla özel bir filtre olmadan asla, hiçbir koşulda direkt olarak Güneşe veya farklı bir parlak ışık kaynağına bakmayın, aksi takdirde **KALICI RETİNA HASARINA** ve **KÖRLÜĞE** yol açabilir.
 - Bu cihazı, bu talimatları okuyamayacak veya tamamen anlayamayacak çocuklar ve diğer kişiler ile birlikte kullanacağınız zaman gerekli önlemleri alın.
 - Cihazı herhangi bir sebep için kendi başınıza sökmeye çalışmayın. Her tür onarım ve temizlik için lütfen yerel uzman servis merkeziniz ile iletişime geçin.
 - Lens buğulanırsa cihazı kullanmayı bırakın. Lensi silmeyin! Bir saç kurutucusu ile veya nem doğal olarak buharlaşana kadar teleskobu baş aşağı tutarak nemi giderin.
 - Cihazı ani darbelere ve aşırı mekanik güçlere karşı koruyun.
 - Optik yüzeylere parmaklarınızla dokunmayın. Lens yüzeyini, basınçlı hava veya yumuşak bir lens temizleme bezi ile temizleyin. Cihazın dışını temizlemek için, yalnızca optik parçaları temizlemek için önerilen özel temizleme bezleri ve özel aletler kullanın.
 - Cihazı tehlikeli asitler ve diğer kimyasallardan, ısıtıcılardan, açık ateşten ve diğer yüksek sıcaklık kaynaklarından uzakta kuru, serin bir yerde saklayın.
 - Teleskobun kullanılmadığı tüm zamanlarda toz kapağını teleskobun ön ucuna takın. Her zaman mercekleri koruyucu kutularına koyun ve kapaklarını kapatın. Bu, ayna veya lens yüzeyinde toz veya kir birikmesini önler.
 - Tripod ayağı düğmesi ve plastik bağlantı parçaları mekanik bileşenleri yağlayın. Yağlanacak bileşenler:
 - Optik tüp;
 - İnce mekanik parçalar (odaklayıcı hattı, teleskop optik tüp mikro odaklayıcı);
 - Montaj;
 - Sonsuz dişliden oluşan çiftler, yataklar, dişli çarklar, dişli montaj donanımları.
- Çok amaçlı silikon bazlı yağları -60 ... +180°C çalışma sıcaklığı aralığında kullanın.
- Cihaz veya pilin bir parçası yutulduğu takdirde, hemen tıbbi yardım alınmalıdır.
 - **Çocuklar cihazı yalnızca yetişkin gözetiminde kullanabilir.**

Levenhuk Garantisi

Levenhuk optik ürünleri, malzeme ve işçilik kaynaklı kusurlara karşı **10 yıl garantilidir**. Tüm Levenhuk aksesuarları, perakende satış yoluyla alınmasından sonra **2 yıl** boyunca malzeme ve işçilik kaynaklı kusurlara karşı garantilidir. Bu garanti sayesinde, tüm garanti koşulları sağlandığı takdirde, Levenhuk ofisi bulunan herhangi bir ülkede Levenhuk ürününüz için ücretsiz olarak onarım veya değişim yapabilirsiniz.

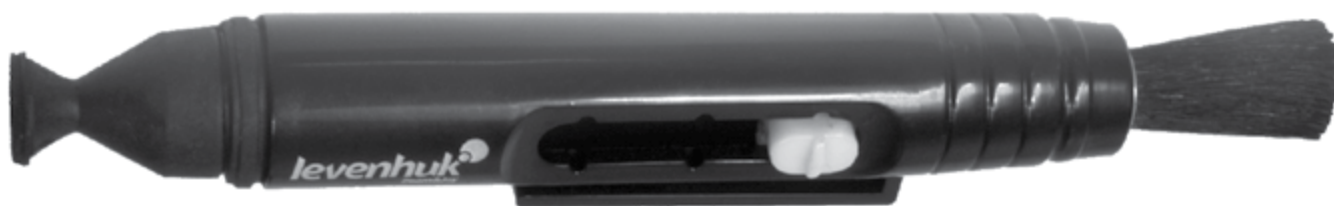
Ayrıntılı bilgi için web sitemizi ziyaret edebilirsiniz: www.levenhuk.eu/warranty

Garanti sorunları ortaya çıkarsa veya ürününüzü kullanırken yardıma ihtiyacınız olursa, yerel Levenhuk şubesi ile iletişime geçin.

The original Levenhuk cleaning
accessories



Levenhuk Cleaning Pen LP10



Removes dust with a brush
The soft tip is treated with a special cleaning fluid that removes greasy stains
Does not damage optical coatings of the lenses
Leaves no smudges or stains

© 2022 Discovery or its subsidiaries and affiliates. Discovery and related logos are trademarks of Discovery or its subsidiaries and affiliates, used under license. All rights reserved. Discovery.com

levenhuk.com

Levenhuk Inc. (USA): 928 E 124th Ave. Ste D, Tampa, FL 33612, USA, +1 813 468-3001, contact_us@levenhuk.com
Levenhuk Optics s.r.o. (Europe): V Chotejně 700/7, 102 00 Prague 102, Czech Republic, +420 737-004-919, sales-info@levenhuk.cz
Levenhuk® is registered trademark of Levenhuk, Inc.
© 2006–2022 Levenhuk, Inc. All rights reserved.
20220418

 **discovery+**
STREAM WHAT YOU LOVE
ALL IN ONE PLACE

levenhuk
Zoom&Joy