

Aputure[®]



Deity

Condenser Microphone

Product Manual

English

Foreword

Thank you for purchasing the Aputure Deity.

Aputure Deity is a professional shotgun condenser microphone with excellent broadcast sound quality, good weather resistance design, high sensitivity, low self-noise and high level anti-radio frequency interference ability, suitable for news gathering, wedding videos, film & TV studio, and various outdoor recording.

Instructions

- Please read this product manual carefully.
- Keep this product manual. Always include this product manual when passing the products on to third parties.
- Heed all warnings and follow all instructions in this product manual.



WARNING: Do not place the product in a place where there are corrosive chemicals to protect the product from corrosion, corrosion may cause the product to malfunction.

- Use only a microfiber and dry cloth for cleaning the product.
- Operate carefully to not cause any damage by dropping or physical shocking it.
- Keep all liquids away from the product. Liquids entering the product can short-circuit the electronics or damage the mechanics.
- Keep storing the product in a dry, clean, dust-free environment.
- It is not allowed to disassemble the product yourself. Please have the product checked by the authorized service or agent if your product has some problems. Please note that this warranty does not apply to repair arising out of the malfunction of unauthorized disassembly, although you may request such repairs on a chargeable basis.
- The product is certificated by RoHS and CE. Please operate the product in compliance with the operation standards. Please note that this warranty does not apply to repair arising from malfunction, although you may request such repairs on a chargeable basis.
- The instructions and information in this manual are based on thorough, controlled company testing procedures. Further notice will not be given if the design or specifications change.

Intended use

Intended use of the Aputure Deity includes:

- The user has read the instructions of this manual.
- The user is using the products within the operating conditions and limitations described in this product manual.
- "Improper use" means using the products other than as described in these instructions or under operating conditions which differ from those described herein.

Tips and trouble setting:

- The use of high quality XLR cables is recommended. Minimising the cable length between the microphone and the recorder input will further improve the signal quality.
- The Deity has a very good weather resistance design, usually use only need proper care and maintenance. After any recording session where the microphone may come in contact with moisture or condensation, the microphone should be thoroughly dried and placed inside the safe case for protection. In addition, the silica gel desiccant inside the safe case can be reused. If the color of the desiccant is changed from orange to green completely, you can remove the desiccant and then bake it into orange (For example, bake in a microwave oven for about 10 minutes).

Check list

Package includes the following items:



Condenser microphone



Microphone clamp



Desiccant



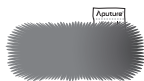
Windscreen



Warranty card



Product manual



Windshield
(only for Kit version)

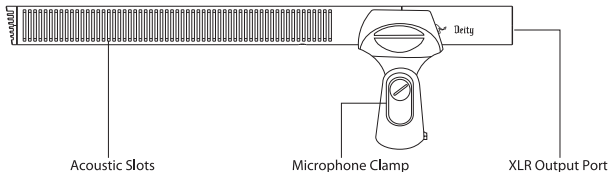


Rycote shock mount
(only for Kit version)



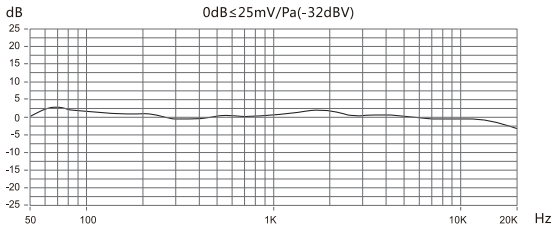
Safe case

Nomenclature

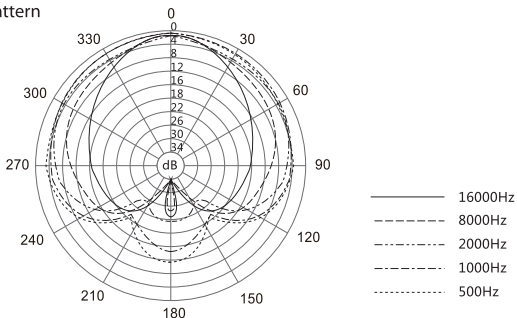


Specifications

1. Frequency response



2.Polar pattern



3.Performance parameter

Polar Pattern	Super Cardioid
Maximum SPL	130dB SPL(@1KHZ,1% THD into 1K Ω)
Frequency Range	50~20kHz
THD	$\leq 0.5\%$
Nominal Impedance	75 Ω
Min. Terminating Impedance	approx. 800 Ω
Sensitivity	-32 ± 2 dB re 1V/Pa @1kHz
Equivalent noise level	12dB (A-weighted), 24dB (CCIR 268-3)
Input Voltage	24V or 48V phantom powering
Current consumption	1.5mA
Temperature range	-10 $^{\circ}$ C to +70 $^{\circ}$ C
Demensions	$\Phi 19 \times 250$ mm
Output	XLR
Weight	198g

Trademarks:

Rycote is trademark or registered trademark of Rycote in China or other countries. All other corporate and product names and trademarks mentioned in this manual are the property respective owners.