



Innovative Interactive Solutions for Classrooms and Meeting Rooms

- 3000AL Brightness and exceptional 13000:1 contrast ratio
- 0.49:1 fixed short throw lens for a big image in small rooms*1
- Large choice of input connections (HDMI,VGA IN/OUT...)
- 3D ready
- LAN control*2
- Dust filter free design
- Energy saving: LampSave, SmartEco, auto power off, Eco blank, 0.5W standby power consumption*3
- Lamp life time up to 10000 hours*4
- 6 segment color wheel for better color reproduction
- 10W speaker with powerful sound*5
- PointWrite™ interactive solution option for up to 4 users at the same time.

*1 from 0.49:1 up to 0.61:1 according to the models (see specsheet) *2 Only available for MX819ST/MW820ST

*3 network off *4 in LampSave mode *5 Only available for MX819ST/MW820ST



MX806ST/MX819ST 3000AL XGA DLP Projector
 MW820ST 3000AL WXGA DLP Projector



Because it matters

Complete Remote Control and Easy Maintenance

LAN-Based Multiple Projector Management (AMX/CRESTRON/PJ-Link/Extron)

Projector monitoring, scheduling, and management are under convenient IT manager control utilizing BenQ's intuitive interface. Compatible with PJ-Link, Crestron, and AMX control systems for convenient system integration with multiple third-party A/V components, BenQ High Brightness projectors allow remote operation and status supervision over multiple remote projectors to minimize labor cost and resources.



Dust Filter Free Design

BenQ Projectors feature leading-edge Digital Light Processing (DLP) Technology, featuring nearly-sealed projection engines able to deliver persistent picture perfection without the hassles and costs of filters. The ability of DLP to keep heat and dust out of the engine results in long-lasting clarity without unnecessary filter replacement and cost.



World-Leading SmartEco™ Technology for a Greener Environment

As the first DLP brand to incorporate Philips' ImageCare technology into its projector lamp system, BenQ has taken a further leap, developing its own SmartEco™ Technology to perfect what DLP can do for energy saving in any occasion. Built with this brand new invention, the BenQ projector brings together uncompromised brightness innovative features.



Convenient Lamp Access

Top-mounted quick-release doors for lamp replacement eliminate the need to move the projector for quick, hassle-free lamp exchange. This versatility prevents the need to remove the projector from its mounting bracket in single or multiple projector installations for lamp replacement.



Eco Blank Mode

During breaks in presentations or when the projector is not in use, Eco Blank Mode reduces power consumption by up to 70% while at the same time eliminating distractions from the inactive screen. The blanked screen refocuses the audience's attention to the presenter while conserving energy.



Unique Features for Classrooms

Built-in 10W Speaker Power*

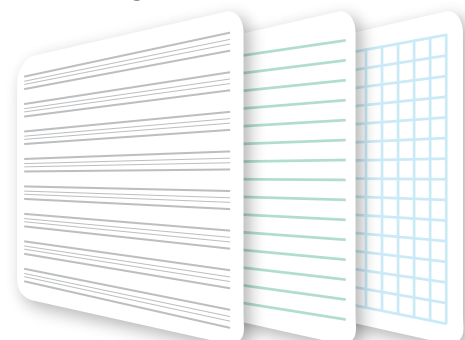
It comes with enhanced audio support for your classroom, delivering crisp-clear audio performance with built-in 10W speaker power. Now, teachers can teach with ease and students can learn more effectively.

*Only available for MX819ST/MW820ST



Thoughtful Teaching Template Design*

To make your teaching job easier, BenQ has added the teaching template function to the MX819ST/MW820ST. Now, with three different line pattern designs to choose from – Letter Formation, Worksheet and Coordinate Chart, you can easily write or draw on whiteboards as well as blackboards without the need of drawing lines or charts. *Only available for MX819ST/MW820ST



Exceptional Image Quality for High-Impact Presentations

Superior Image Quality

With 3000 ANSI lumen high brightness, the MX806ST/MX819ST/MW820ST will always give you the best clarity under the brightest lights! So, take advantage! Stay in control and enjoy perfect presentations and the best interactions with your audience; moreover, the combined expertise of BenQ's projector know-how delivers an astounding 13000:1 contrast at the highest to significantly improve the black level for superbly rendered image definition.



High Contrast



Low Contrast

Perfect Six-Color Management via Independent 3D Calibration

Independently fine-tune the hue, gain, and saturation levels of each of the six primary colors (R/G/B/C/M/Y) with innovative BenQ 3D color management. The ability to precisely control these parameters greatly enhances mid-tones and greyscales to deliver more realistic images and video.



Long-Lasting DLP Image Perfection

Utilizing a nearly-sealed DLP projection engine, BenQ projectors exhibit virtually no image distortion from panel aging due to heat or dust buildup. Millions of micro mirrors on the advanced DMD chip reflect pure light through the color wheel, producing precise details and intensely saturated colors without degradation over time.



Blu-ray Full HD 3D Supported

BenQ MX806ST/MX819ST/MW820ST is built with latest DLP® technology to support 3D functionality, allowing schools to bring an immersive learning experience to their students with a simple preparation of 3D glasses and 3D content from your blu-ray player.



Interactive learning with BenQ's leading technology

Foster Active Learning Through PointWrite Interactivity and Classroom Collaboration

Keeping students involved and engaged is a central practice in the BenQ Smart Classroom concept- simply integrating MX806ST/MX819ST/MW820ST with latest PointWrite™ Technology is a great way to let multiple students contribute at once. BenQ brings interactive innovation and touch solutions to a new level of simplicity, ease and control, supporting flipped learning and engaging students like never before. Teachers now can turn any space into an interactive whiteboard and get up to 4 students to collaborate simultaneously with PointWrite™ pens or simply with their fingers.



Good Things Come in Short Distance



• Zero Eye-Blinding

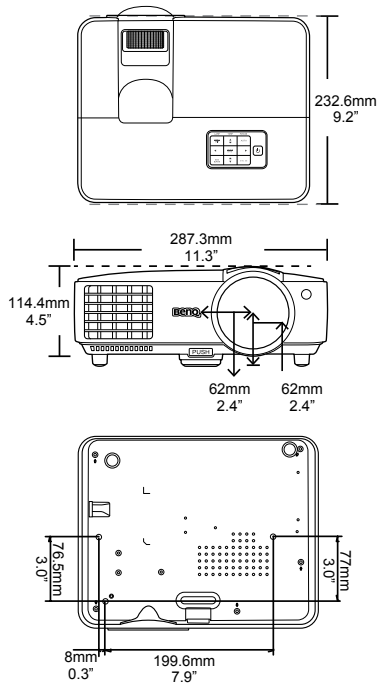
The short-throw projection distance keeps the projector light from shining directly into your eyes, allowing you to keep your focus on your audience.



• Zero Disruptions

Say goodbye to the shadows that often interrupt your presentation. With a projection distance this close, you and your audience can move freely without worrying about obstructions between the projector and the screen!

Dimensions

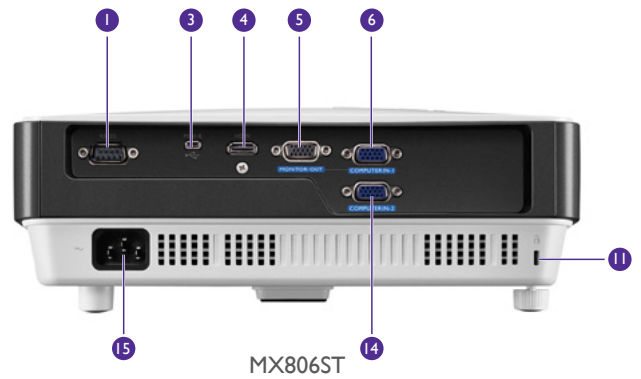
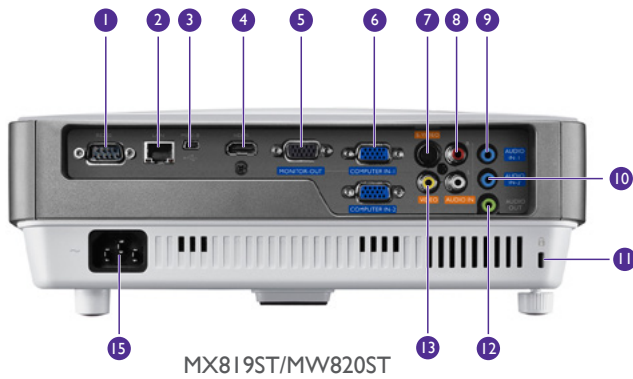


Specification

	MX806ST	MX819ST	MW820ST
Projection System	DLP™	DLP™	DLP™
Color Wheel		6 seg (RGBCYW)	
Native Resolution	XGA (1024x768)		WXGA (1280x800)
Brightness*	3000 ANSI Lumens		
Contrast Ratio	13000:1		
Display Color	1.07 Billion Colors		
Lens	F= 2.6, f=6.9mm		
Aspect Ratio	4:3		16:10
Throw Ratio	0.61:1		0.49:1
Max. Image Size (Diagonal)	300"		
Zoom Ratio	fixed		
Lamp Wattage	196W		190W
Lamp(Normal/Eco/SmartEco/LampSave)	4500h/6000h/6500h/10000h		
Keystone Adjustment	V: +/-30°		
Projection Offset	130%±5%		110%±5%
PC Signal Compatibility	up to UXGA (1600x1200)		
HDTV Compatibility	480i, 480p, 576i, 576p, 720p, 1080i, 1080p		
Video Compatibility	NA		NTSC, PAL, SECAM
Horizontal Frequency	15K~102KHz		
Dimensions(W x H x D)	287.3x 114.4mm x 232.6mm / 11.31" x 4.50" x 9.16"		
Weight	2.6kg		
Audible Noise	32/28dBA		
Power Supply	AC 100 to 240 V, 50/60 Hz		
Power Consumption	Normal 270W, Eco 220W, Network standby <6W, Standby <0.5W		
Operating environment	0~40° / 10%~90% humidity w/ no condensation		
What's in the box	remote control w/ battery, power cord, user manual CD, quick start guide, VGA cable, lens cover		

*Lamp life results will vary depending on environmental conditions and usage. Actual products features and specifications are subject to change without notice.

Input and Output Terminals



- | | | |
|----------------------------|---------------------|------------------------------|
| ① RS-232 control port | ⑥ RGBI/YUV input | ⑪ Kensington anti-theft lock |
| ② RJ45 LAN input (control) | ⑦ S-VIDEO input | ⑫ Audio output |
| ③ USB Mini - B type port | ⑧ Audio (L/R) input | ⑬ VIDEO input |
| ④ HDMI input | ⑨ Audio input RGBI | ⑭ RGB2/YUV input |
| ⑤ RGB signal output | ⑩ Audio input RGB2 | ⑮ AC power cord inlet |

Optional accessory

Spare Lamp Kit
- 5J.J9A05.001



Wall Mount
- WM06G3 (5J.J4R10.011)



Active 3D glasses
- DGD5 (5J.J9H25.001)



PointWrite Interactive Kit
- PW02 (5J.J9A26.12E)



Learn more

Finger touch Interactive Kit
- PT02 (5J.J8L26.11E)



Key Features

- | | | | | |
|---------------------------------|-------------------------|-------------------------------------|--|---------------------------------------|
| - Panel key lock | - Wall color correction | - Standby power <0.5W (network off) | - Variable audio out (MX819ST/MW820ST) | - Closed captioning (MX819ST/MW820ST) |
| - VGA signal power ON | - Presentation timer | - SmartEco energy saving | - LAN control (MX819ST/MW820ST) | - Kensington lock |
| - Teaching template | - Auto power off | - Eco Blank mode | - RoHS compliant | - Top access lamp door |
| - Interactive module compatible | - Direct power on/off | - User memory setting | - 2X digital zoom | |
| - Instant restart | | - Quick auto search | | |
| | | - Support all 3D mandatory formats | | |

BenQ Europe B.V.

Meerakkerweg 1-17
5652 AR Eindhoven
The Netherlands
Tel: +31 88 888 9200
Fax: +31 88 888 9299



Because it matters