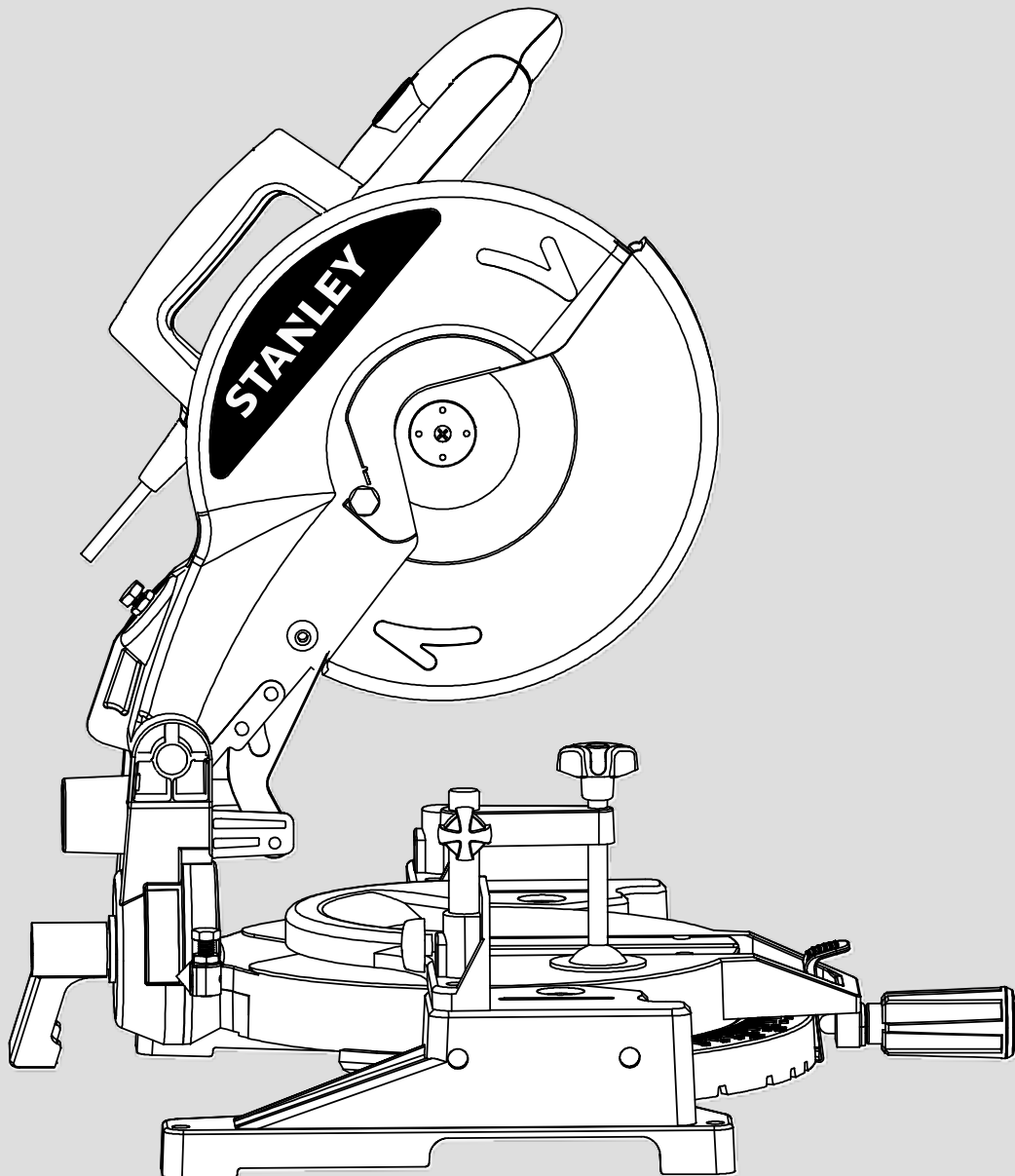


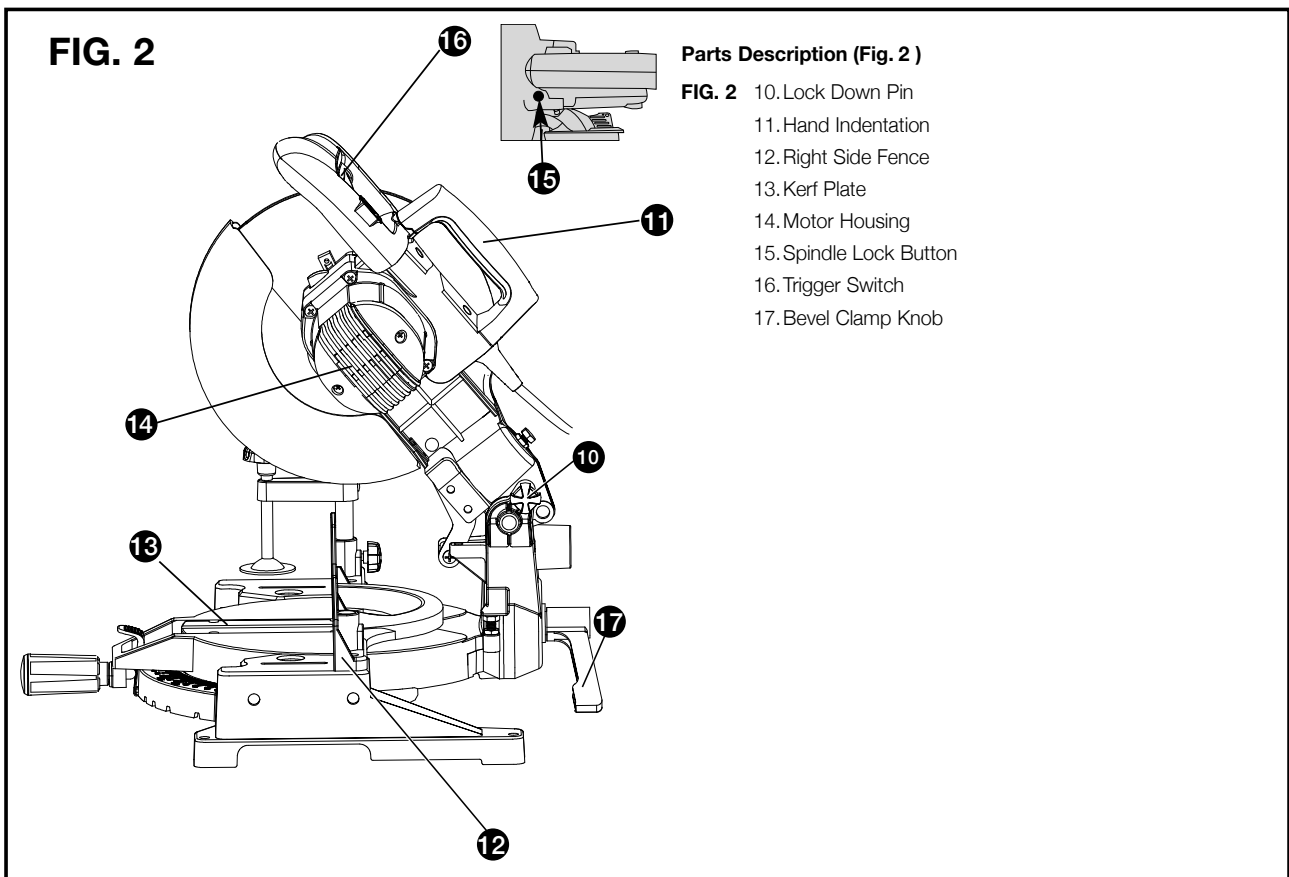
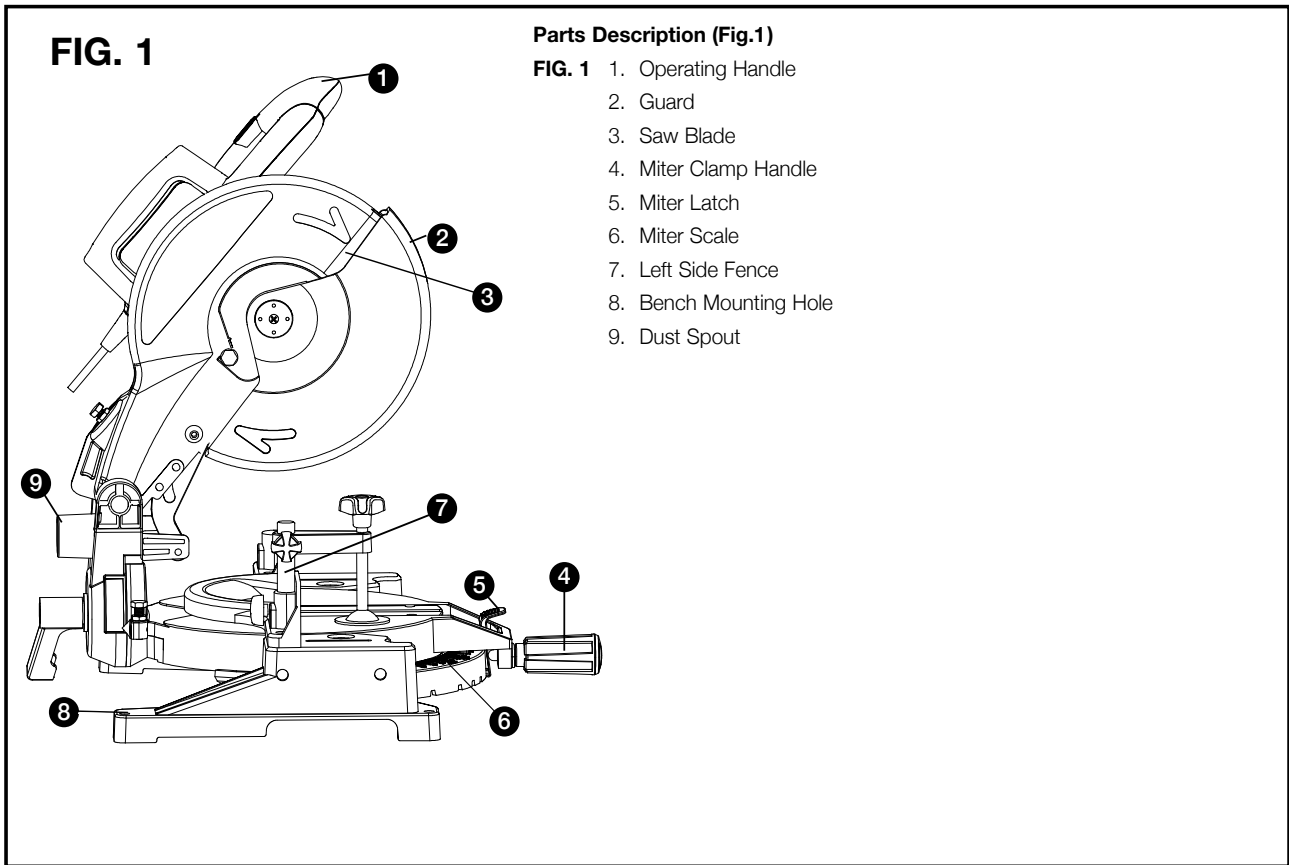
# STANLEY



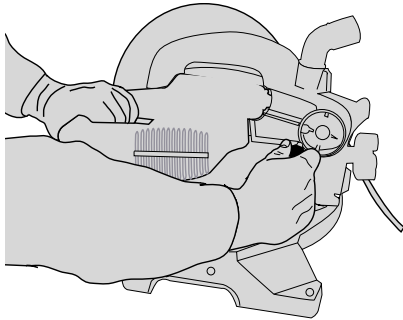
**STSM1510**

English

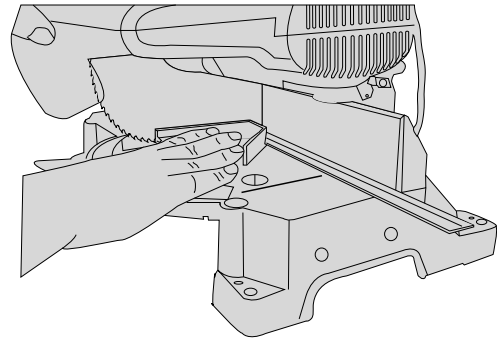
Page 5



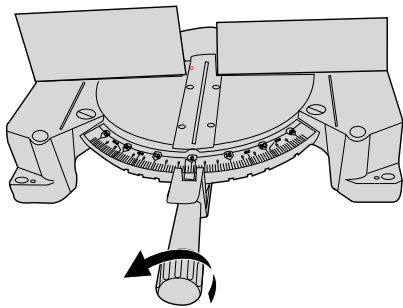
**FIG. 3**



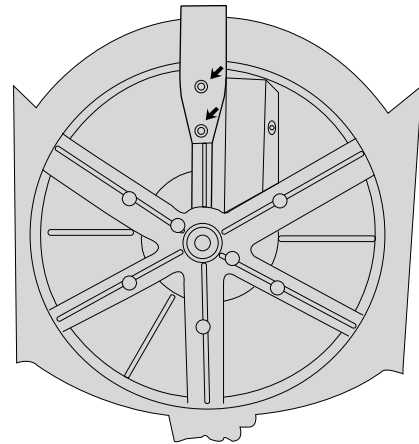
**FIG. 4**



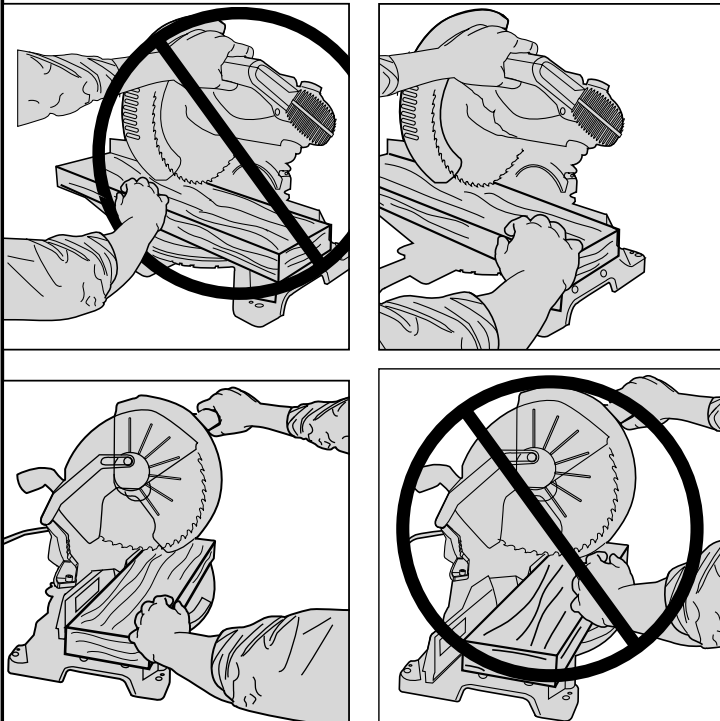
**FIG. 5**



**FIG. 6**



**FIG. 7**



**FIG. 8**

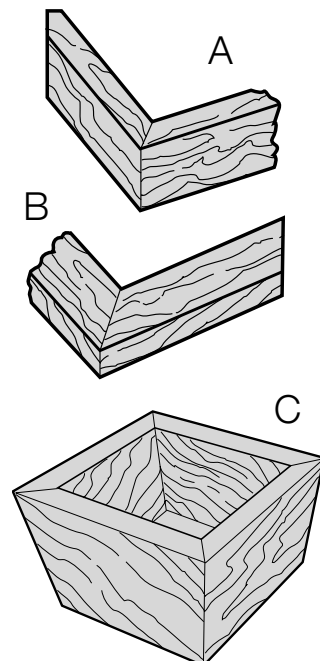


FIG. 9

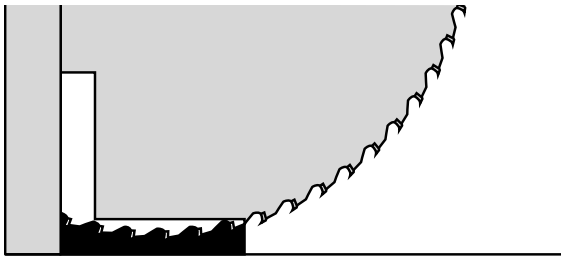


FIG. 10

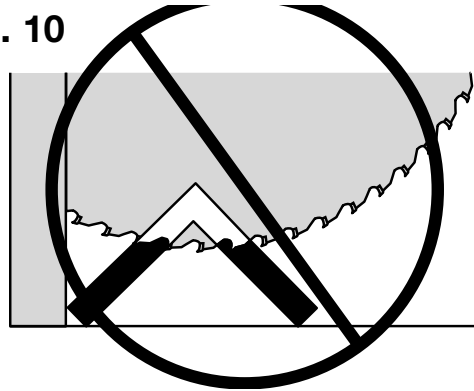


FIG. 11

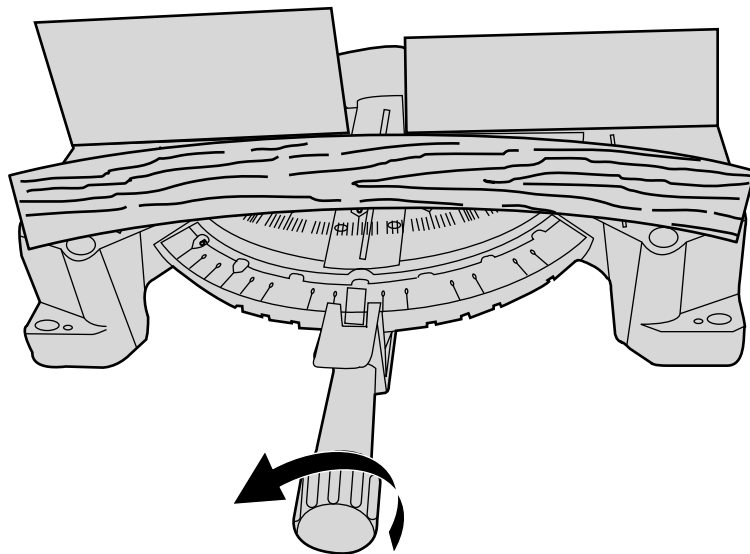
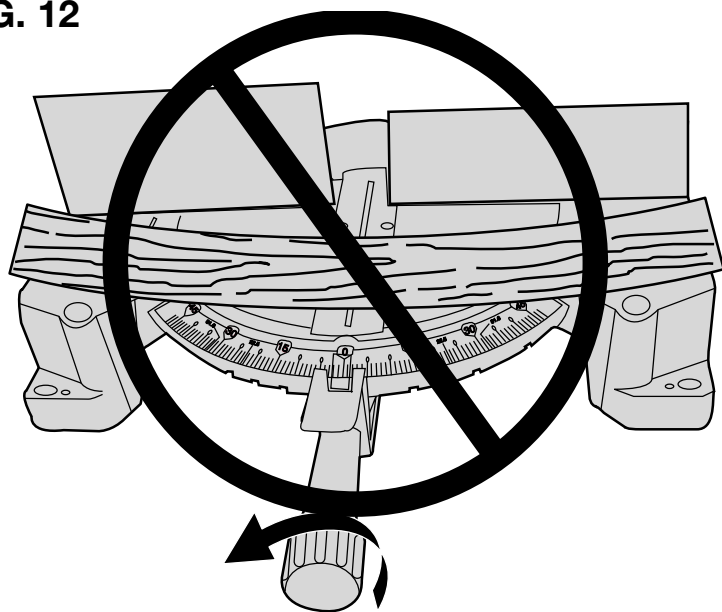


FIG. 12



## Key Information You Should Know:

- Cut only with sharp blades. Dull blades cut poorly and overload the motor.
- If the saw does not cut accurately, refer to the TROUBLE SHOOTING chart in this manual.

## Intended use

Your Stanley Mitre Saw has been designed for fast cutting in wood, fine finishing or aluminum cutting .

## General Safety Instructions



**WARNING:** When using electric tools, basic safety precautions should always be followed to reduce risk of fire, electric shock, and personal injury, including the following:

## Read All Instructions



**Safety Warnings: Double Insulation** Double insulated tools are constructed throughout with two separate layers of electrical insulation or one double thickness of insulation between you and the tool's electrical system. Tools built with this insulation system are not intended to be grounded. As a result, your tool is equipped with a two prong plug which permits you to use extension cords without concern for maintaining a ground connection.

**NOTE:** Double insulation does not take the place of normal safety precautions when operating this tool. The insulation system is for added protection against injury resulting from a possible electrical insulation failure within the tool.

**Replacement parts:** When servicing all tools, USE IDENTICAL REPLACEMENT PARTS. Repair or replace damaged cords.

## Safety Instructions: Polarized Plugs



To reduce the risk of electric shock, this equipment has a polarized plug (one blade is wider than the other). This plug will fit in a polarized outlet only one way. If the plug does not fit fully into the outlet, reverse the plug. If it still does not fit, contact a qualified electrician to install the proper outlet. Do not change the plug in any way.



## Safety Instructions For All Tools

- **KEEP GUARDS IN PLACE** and in working order.
- **REMOVE ADJUSTING KEYS AND WRENCHES.** Form habit of checking to see that keys and adjusting wrenches are removed from spindle before turning tool on.

- **KEEP WORK AREA CLEAN.** Cluttered areas and benches invite accidents.
- **DON'T USE IN DANGEROUS ENVIRONMENT.** Don't use power tools in damp or wet locations, or expose them to rain. Keep work area well lighted.
- **KEEP CHILDREN AWAY.** All visitors should be kept at a safe distance from work area.
- **MAKE WORKSHOP KID PROOF** with padlocks, master switches, or by removing starter keys.
- **DON'T FORCE TOOL.** It will do the job better and be safer at the rate for which it was designed.
- **USE RIGHT TOOL.** Don't force tool or attachment to do a job for which it was not designed.
- **WEAR PROPER APPAREL.** No loose clothing, gloves, neckties, rings, bracelets, or other jewelry which may get caught in moving parts. Nonslip footwear is recommended. Wear protective hair covering to contain long hair.
- **ALWAYS WEAR SAFETY GLASSES.** Also use face or dust mask if cutting operation is dusty. Everyday eyeglasses have only impact resistant lenses, they are NOT safety glasses.
- **SECURE WORK.** Use clamps or vise when you cannot secure the workpiece on the table and against the fence by hand or when your hand will be dangerously close to the blade (within 6").
- **DON'T OVERREACH.** Keep proper footing and balance at all times.
- **MAINTAIN TOOLS WITH CARE.** Keep tools sharp and clean for best and safest performance. Follow instructions for lubricating and changing accessories.
- **DISCONNECT TOOLS** before servicing; when changing accessories, such as blades, bits, cutters, and the like.
- **REDUCE THE RISK OF UNINTENTIONAL STARTING.** Make sure switch is in OFF position before plugging in.
- **USE RECOMMENDED ACCESSORIES.** Consult the instruction manual for recommended accessories. The use of improper accessories may cause risk of injury to persons.
- **NEVER STAND ON TOOL.** Serious injury could occur if the tool is tipped or if the cutting tool is unintentionally contacted.
- **CHECK DAMAGED PARTS.** Before further use of the tool, a guard or other part that is damaged should be carefully checked to determine that it will operate

properly and perform its intended function—check for alignment of moving parts, binding of moving parts, breakage of parts, mounting and any other conditions that may affect its operation. A guard or other part that is damaged should be properly repaired or replaced. Do not use tool if switch does not turn it on and off.

- **NEVER LEAVE TOOL RUNNING UNATTENDED. TURN POWER OFF.** Don't leave tool until it comes to a complete stop.
- **DO NOT OPERATE ELECTRIC TOOLS NEAR FLAMMABLE LIQUIDS OR IN GASEOUS OR EXPLOSIVE ATMOSPHERES.** Motors in these tools may spark and ignite fumes.
- **USE PROPER EXTENSION CORDS.** Make sure your extension cord is in good condition. When using an extension cord, be sure to use one heavy enough to carry the current your product will draw. An undersized cord will cause a drop in line voltage resulting in loss of power and overheating. The following table shows the correct size to use depending on cord length and nameplate ampere rating. If in doubt, use the next heavier gage. The smaller the gage number, the heavier the cord.

Conductor size (mm <sup>2</sup> )		Cable rating (Amperes)					
0.75		6					
1.00		10					
1.50		15					
2.50		20					
4.00		25					
Cable length (m)							
		7.5	15	25	30	45	60
Voltage	Amperes	Cable rating (Amperes)					
115	0 - 2.0	6	6	6	6	6	10
	2.1 - 3.4	6	6	6	6	15	15
	3.5 - 5.0	6	6	10	15	20	20
	5.1 - 7.0	10	10	15	20	20	25
	7.1 - 12.0	15	15	20	25	25	-
230	12.1 - 20.0	20	20	25	-	-	-
	0 - 2.0	6	6	6	6	6	6
	2.1 - 3.4	6	6	6	6	6	6
	3.5 - 5.0	6	6	6	6	10	15
	5.1 - 7.0	10	10	10	10	15	15
7.1 - 12.0	15	15	15	15	20	20	
12.1 - 20.0	20	20	20	20	25	-	

**Labels on tool**

The label on your tool may include the following symbols:

	Read Instructions Manual	Hz ..... Hertz		Class II Construction
	Use Eye Protection	W ..... Watts		Earthing Terminal
	Use Ear Protection	min ..... minutes		Safety Alert Symbol
	V ..... Volts		.../min..	Revolutions or Reciprocation per minute
	A ..... Amperes			
		n <sub>0</sub> ..... No-Load Speed		

**Position of date barcode**

The Date Code, which also includes the year of manufacture, is printed into the housing.

Example:

2014 XX JN  
Year of manufacturing

**Additional Safety Rules For Mitre Saws**



**CAUTION:** FAILURE TO HEED THESE WARNINGS MAY RESULT IN PERSONAL INJURY AND SERIOUS DAMAGE TO THE SAW.

- DO-Protect electric supply line with at least a 15 ampere time-delay fuse or a circuit breaker.
- Replace table insert when worn
- Use only saw blades recommended by the manufacturer
- Connect mitre saw to a dust connecting device when sawing
- Take care when slotting
- DO-Make certain the blade rotates in the correct direction and that the teeth at the bottom of the blade are pointing to the rear of the mitre saw.
- DO-Be sure all clamp handles are tight before starting any operation.
- DO-Be sure all blade and clamp washers are clean and recessed sides of collars are against blade. Tighten arbor screw securely.
- DO-Keep saw blade sharp.
- DO-Keep motor air slots free of chips and dirt.

- DO-Use blade guards at all times.
- DO-Keep hands out of path of saw blade.
- DO-Shut off power, disconnect cord from power source and wait for saw blade to stop before servicing or adjusting tool.
- DO-Support long work with an outboard tool rest.
- DO-Use only 10 inch diameter blades.
- Do not use saw blades which are damaged or deformed
- DON'T-Attempt to operate on anything but designated voltage.
- DON'T-Operate unless all clamp handles are tight.
- DON'T-Use blades larger or smaller than those which are recommended.
- DON'T-Wedge anything against fan to hold motor shaft.
- DON'T-Force cutting action. (Stalling or partial stalling of motor can cause major damage. Allow motor to reach full speed before cutting.)
- DON'T-Cut ferrous metals (Those with any iron or steel content) or any masonry.
- DON'T-Use abrasive wheels. The excessive heat and abrasive particles generated by them will damage saw.
- DON'T-Allow anyone to stand behind saw.
- DON'T-Apply lubricants to the blade when it's running.
- DON'T-Place either hand in the blade area when the saw is connected to the power source.
- DON'T-Use blades rated less than 5500 R.P.M.
- DON'T-Attempt to cut small pieces (hand within 6" of blade) without clamping.
- DON'T-Operate saw without guards in place.
- DON'T-Perform any operation freehand.
- DON'T-Reach around or behind saw blade.
- DON'T-Place hands closer than 6 inches from the saw blade.
- DON'T-Reach underneath the saw unless it is turned off and unplugged. The saw blade is exposed on the underside of the saw.
- DON'T-Move either hand from saw or workpiece or raise arm until blade has stopped.

- DON'T-Use without Kerf Plate or when kerf slot is wider than 3/8"
- DON'T- Carry saw by work extension or other accessory.



**CAUTION:** Some wood contains preservatives such as copper chromium arsenate (CCA) which can be toxic. When cutting these materials extra care should be taken to avoid inhalation and minimize skin contact.



**CAUTION:** Use of this tool can generate dust containing chemicals known to cause cancer, birth defects or other reproductive harm. Use appropriate respiratory protection.



**CAUTION:** Do not connect unit to electrical power source until complete instructions are read and understood.

**For your convenience and safety, the following warning labels are on your mitre saw.**

#### **ON MOTOR HOUSING:**

**WARNING:** FOR YOUR OWN SAFETY, READ INSTRUCTION MANUAL BEFORE OPERATING SAW. WHEN SERVICING, USE ONLY IDENTICAL REPLACEMENT PARTS. ALWAYS WEAR EYE PROTECTION.

#### **ON FENCE:**

CLAMP SMALL PIECES BEFORE CUTTING. SEE MANUAL.

#### **ON GUARD:**

DANGER – KEEP AWAY FROM BLADE.

**ON GUARD RETAINER PLATE:** "PROPERLY SECURE BRACKET WITH BOTH SCREWS BEFORE USE."

#### **ON TABLE: (2 PLACES)**



ALWAYS TIGHTEN ADJUSTMENT KNOBS BEFORE USE. KEEP HANDS 6" FROM PATH OF SAW BLADE. NEVER PERFORM ANY OPERATION FREEHAND. NEVER CROSS ARMS IN FRONT OF BLADE. THINK! YOU CAN PREVENT ACCIDENTS. DO NOT OPERATE SAW WITHOUT GUARDS IN PLACE. NEVER REACH IN BACK OF SAW BLADE. ALWAYS WEAR EYE PROTECTION. SHUT OFF POWER AND WAIT FOR BLADE TO STOP BEFORE SERVICING, ADJUSTING TOOL, OR MOVING HANDS.



## Electrical Connection

Be sure your power supply agrees with the nameplate marking. A voltage decrease of 10 percent or more will cause a loss of power and overheating. All B&D tools are factory tested. If this tool does not operate, check the power supply.

## Familiarization

Place the saw on a smooth, flat surface such as a workbench or strong table. Examine Figures 1 & 2 and refer to the parts description to become familiar with the saw and its various parts. The following section on adjustments will refer to these terms and you must know what and where the parts are. The part name is followed by the corresponding part number Example - lock down pin (10). Press down lightly on the operating handle and pull out the lock down pin (10), as shown in Figure 3. Gently release the downward pressure and allow the arm to rise to its full height. Use the lock down pin when carrying the saw from one place to another. Use the operating handle (1) to transport the saw or the hand indentations (11) shown in Figure 2 after unplugging.

## Specifications

### Capacity of cut

47° mitre left and right

47° bevel left

0° mitre -Max. Height 3-1/2" -Max. Width 5-1/2"

45° mitre -Max. Height 3-1/2" -Max. Width 4-1/8"

45° bevel -Max. Height 2-1/2" -Max. Width 5-1/2"

## Bench Mounting

Bench mounting holes (8) are provided in all four feet to facilitate bench mounting, as shown in Figure 1. (Two different sized holes are provided to accommodate different sizes of screws. Use either hole, it is not necessary to use both.) Always mount your saw firmly to prevent movement. To enhance the tool's portability, it can be mounted to a piece of 1/2" or thicker plywood which can then be clamped to your work support or moved to other job sites and reclamped.

**NOTE:** If you elect to mount your saw to a piece of plywood, make sure that the mounting screws don't protrude from the bottom of the wood. The plywood must sit flush on the work support. When clamping the saw to any work surface, clamp only on the clamping bosses where the mounting screw holes are located. Clamping at any other point will interfere with the proper operation of the saw.



**CAUTION:** To prevent binding and inaccuracy, be sure the mounting surface is not warped or otherwise uneven. If the saw rocks on the surface, place a thin piece of material under one saw foot until the saw sits firmly on the mounting surface.

## Installing a New Saw Blade (UNPLUG THE MITRE SAW)

DO NOT USE FERROUS METAL or masonry cutting blades in this saw

- Loosen hex bolt on center cover counter clockwise with box wrench.
- Lift up the safe cover and center cover.
- Press down the lock to lock spindle.
- Loosen hex bolt clockwise with box wrench, then dismount the bolt and flange.
- Mount the blade of saw on spindle. Make sure that the arrow direction on surface of saw blade is same as one of the cover.

**Note:** There are two different internal diameters of cutter in inner plate which have steel stamp marked 25.4mm 16mm. When mounting, the outer diameter of inner plate must be correspondent with the internal diameter of saw blade.

- Mount flange and hex bolt.
- Press axle lock and tighten hex bolt counter clock wise with box wrench firmly, then tighten hex bolt clockwise to fix centre cover.

**Note:** Only use attached wrench when mounting or dismounting saw blade. When dismounting saw blade, lift up safe cover and centre cover. Loosen hex bolt with box wrench and disassemble hex bolt, flange and saw blade.

NEVER DEPRESS THE SPINDLE LOCK PIN WHILE THE BLADE IS ROTATING.

- Be sure to hold the guard bracket down and firmly tighten the guard bracket screw when you finish installing the saw blade. Failure to do so will cause serious damage to the saw.

## Assembling and Adjusting Your Saw

PERFORM ALL ASSEMBLY WITH SAW UNPLUGGED.

### Attach Mitre Clamp Handle

Remove the mitre clamp handle (4) from the plastic parts bag and carefully thread it into the bracket in the front of the saw.

### Attaching Dust Bag

A zippered cloth dust bag is included with your saw. To attach the bag, fit the plastic opening firmly over the dust spout (9).

**NOTE:** The saw can also be used with a vacuum cleaner hose attached to the dust spout or without any attachment.

## Adjustments

PERFORM ALL ADJUSTMENTS WITH THE MITRE SAW UNPLUGGED



**NOTE:** Your mitre saw is fully and accurately adjusted at the factory at the time of manufacture. If readjustment due to shipping and handling or any other reason is required, follow the steps below to adjust your saw.

### Mitre Scale Adjustment

Place a square against the saw's fence and blade, as shown in Figure 4. (Do not touch the tips of the blade teeth with the square. To do so will cause an inaccurate measurement.) Loosen the mitre clamp handle (4) as shown in Figure 5 and swing the mitre arm until the mitre latch (5) locks it at the 0 mitre position. Do not tighten the clamp handle. If the saw blade is not exactly perpendicular to the fence, loosen the two screws that hold the handle to the base (shown in Figure 6) and move the arm of the saw left or right until the blade is perpendicular to the fence, as measured with the square. Retighten the two screws. Pay no attention to the reading of the mitre pointer at this point.

### Guard Actuation and Visibility

The blade guard on your saw has been designed to automatically raise when the arm is brought down and to lower over the blade when the arm is raised. The guard can be raised by hand when installing or removing saw blades or for inspection of the saw. **NEVER RAISE THE BLADE GUARD MANUALLY UNLESS THE SAW IS TURNED OFF.**

**NOTE:** Certain special cuts will require that you manually raise the guard. To do this, simply place your right thumb on the upper side of the guard and roll the guard up just enough to clear the workpiece. Never tie up or otherwise prevent the guard from operating normally.

### Operation

Plug the saw into any power source. Refer to the nameplate for voltage. Be sure the cord will not interfere with your work.

### Switch

To turn the saw on, depress the trigger switch (16). To turn the tool off, release the switch. There is no provision for locking the switch on.

### Body and Hand Position (See figure 7)

Proper positioning of your body and hands when operating the mitre saw will make cutting easier, more accurate and safer. Never place hands near cutting area. Place hands no closer than 6" from the blade. Hold the workpiece tightly to the table and the fence when cutting. Keep hands in position until the trigger has been released and the blade has completely stopped. **ALWAYS MAKE DRY RUNS (UNPOWERED) BEFORE FINISH CUTS SO THAT YOU**

**CAN CHECK THE PATH OF THE BLADE. DO NOT CROSS HANDS, AS SHOWN IN FIGURE 7.**

### Cutting With Your Saw

**NOTE:** Although this saw will cut wood and many nonferrous materials, we will limit our discussion to the cutting of wood only. The same guidelines apply to the other materials. **DO NOT CUT FERROUS (IRON AND STEEL) MATERIALS OR MASONRY WITH THIS SAW.** Do not use any abrasive blades.

### Crosscuts

**NOTE:** Cutting of multiple pieces is not recommended, but can be done safely by ensuring that each piece is held firmly against the table and fence.

A crosscut is made by cutting wood across the grain at any angle. A straight crosscut is made with the mitre arm at the zero degree position. Set the mitre arm at zero, hold the wood on the table and firmly against the fence. Turn on the saw by squeezing the trigger switch. When the saw comes up to speed (about 1 second) lower the arm smoothly and slowly to cut through the wood. Let the blade come to a full stop before raising arm.

Mitre crosscuts are made with the mitre arm at some angle other than zero. This angle is often 45 degrees for making corners, but can be set anywhere from zero to 47 degrees left or right. After selecting the desired mitre angle, be sure to tighten the mitre clamp handle (4). Make the cut as described above.

### Bevel Cuts

A bevel cut is a crosscut made with the saw blade at a bevel to the wood. In order to set the bevel, loosen the bevel clamp knob (17) and move the saw to the left as desired. Once the desired bevel angle has been set, tighten the bevel clamp knob firmly. Bevel angles can be set up to 45 degrees left and can be cut with the mitre arm set between zero and 47 degrees right or left.

### Quality of Cut

The smoothness of any cut depends on a number of variables. Things like material being cut, blade type, blade sharpness and rate of cut all contribute to the quality of the cut.

When smoothest cuts are desired for molding and other precision work, a sharp (60 tooth carbide) blade and a slower, even cutting rate will produce the desired results. Ensure that material does not creep while cutting, clamp it securely in place. Always let the blade come to a full stop before raising arm.

If small fibers of wood still split out at the rear of the workpiece, stick a piece of masking tape on the wood where the cut will be made. Saw through the tape and carefully remove tape when finished.

Keep both feet firmly on the floor and maintain proper balance. As you move the mitre arm left and right, follow it and stand slightly to the side of the saw blade. Sight through the guard louvers when following a pencil line

**Clamping the Workpiece**

**Turn Off and Unplug Saw**

If you cannot secure the workpiece on the table and against the fence by hand (irregular shape, etc.) or your hand will be within 6" of the blade, a clamp or fixture must be used.

Other convenient clamps such as spring, bar or Cclamps may be appropriate for certain sizes and shapes of workpieces. Use care in selecting and placing these clamps and make a dry run before making the cut.

**Support for Long Pieces**

**Turn Off and Unplug Saw**

ALWAYS SUPPORT LONG PIECES For best results, use an extension work support to extend the table width of your saw. Support long workpieces using any convenient means such as sawhorses or similar devices to keep the ends from dropping.

**Cutting Picture Frames, and Other Four Sided Projects**

To best understand how to make the items listed here, we suggest that you try a few simple projects using scrap wood until you develop a "FEEL" for your saw. Your saw is the perfect tool for mitring corners like the ones shown in Figure 8, which shows a joint made by setting the mitre arm at 45 degrees to to mitre the two boards to form a 90 degree corner. To make this type of joint, set the mitre arm to 45 degrees. The wood was positioned with the broad flat side against the table and the narrow edge against the fence.

As the number of sides changes, so do the mitre angles. The chart below gives the proper angles for a variety of shapes.

(The chart assumes that all sides are of equal length.) For a shape that is not shown in the chart, use the following formula. 180 degrees divided by the number of sides equals the mitre.

- Examples -	
No. Sides	Angle Mitre
4	45°
5	36°
6	30°
7	25.7°
8	22.5°
9	20°
10	18°

**Cutting Compound Mitres**

A compound mitre is a cut made using a mitre angle and a bevel angle at the same time. This is the type of cut used to make frames or boxes with slanting sides like the one shown in Figure 8.

**NOTE:** If the cutting angle varies from cut to cut, check that the bevel clamp knob (10) and the mitre clamp handle (4) are securely tightened. These knobs must be tightened after making any changes in bevel or mitre.

**Cutting Crown Molding**

In order to fit properly, crown molding must be mitred with extreme accuracy. The two flat surfaces on a given piece of crown molding are at angles that, when added together, equal exactly 90 degrees. Most, but not all, crown molding has a top rear angle (the section that fits flat against the ceiling) of 52 degrees and a bottom rear angle (the part that fits flat against the wall) of 38 degrees.

Pretesting with scrap material is extremely important! Place the bottom side (the side that will be against the wall) against the Mitre SAW FENCE. Place the top (that part that will be against the ceiling) against the saw table and the crown molding fence. Instructions for cutting crown MOLDING angled between the fence and the TABLE of the saw for all cuts:

1. Angle the molding so the bottom of the molding (part which goes against the wall when installed) is against the fence and the top of the molding is resting on the table of the saw.

2. The angled "flats" on the back of the molding must rest squarely on the fence and table of the saw.

### **INSIDE CORNER:**

Left side

1. Mitre right at 45°
2. Save the right side of cut

Right side

1. Mitre left at 45°
2. Save left side of cut

### **OUTSIDE CORNER:**

Left side

1. Mitre left at 45°
2. Save the right side of cut

**Right side**

1. Mitre right at 45°
2. Save left side of cut

ALWAYS MAKE DRY RUNS TO CHECK FOR CLEARANCE AND CORRECTNESS OF CUTS.

### **Special Cuts**

NEVER MAKE ANY CUTS UNLESS THE MATERIAL IS SECURED ON THE TABLE AND AGAINST THE FENCE.

#### **Aluminum Cutting (Carbide tipped blade only)**

Aluminum extrusions such as those used when making aluminum screens and storm windows can easily be cut with your saw using the proper blade designed for non-ferrous metal cutting. Position the material so that you will be cutting the thinnest cross section, as shown in Figure 9.

Figure 10 illustrates the wrong way to cut these extrusions. Use a wax lubricant when cutting aluminum such as Johnson's Stick Wax No. 140. Apply the stick wax directly to the saw blade before cutting. Never apply stick wax to a moving blade.

The wax, available at most hardware stores and industrial mill supply houses, provides proper lubrication and keeps chips from adhering to the blade.

Be sure to properly secure work. Certain workpieces, due to their size, shape or surface finish, may require the use of a clamp, jig or fixture to prevent movement during the cut.

### **Bowed Material**

When cutting bowed material always position it as shown in Figure 11 and never like that shown in Figure 12. Positioning the material incorrectly will cause it to pinch the blade near the completion of the cut.

### **Cutting Plastic Pipe and other round cross-sectional material**

Plastic pipe can be easily cut with your saw. It should be cut just like wood and clamped or held firmly to the fence to keep it from rolling particularly when making angle cuts.

### **Carrying the tool**

1. Lower the cutting head and push in the lock pin (10)
2. Carry the mitre saw with the carrying handles (11).

**Warning!** Do not carry the machine by the guard.

### **DURING USE**

- If the saw blade becomes blocked, switch off the tool immediately and disconnect the plug; only then remove the wedged workpiece
- In case of jamming or electrical or mechanical malfunction, immediately switch off the tool and disconnect the plug

### **Maintenance**

(PERFORM ALL MAINTENANCE WITH MITRE SAW UNPLUGGED.)

1. All bearings are sealed. They are lubricated for life and need no further maintenance.
2. Periodically clean all dust and wood chips from around AND UNDER the base and the rotary table. Even though slots are provided to allow debris to pass through, some dust will accumulate.
3. The brushes are designed to give you several years of use. If they ever need replacement follow the instructions in this manual or return the tool to the nearest service center for repair.

### **Important**

To assure product SAFETY and RELIABILITY, repairs, maintenance and adjustment (including brush inspection and replacement) should be performed by authorized service centers or other qualified service organizations, always using identical replacement parts.

**Trouble Shooting Guide**

BE SURE TO FOLLOW SAFETY RULES AND INSTRUCTIONS

<b>TROUBLE! SAW WILL NOT START</b>	
<b>WHAT'S WRONG?</b>	<b>WHAT TO DO...</b>
1. Saw not plugged in	1. Plug in saw
2. Fuse blown or circuit	2. Replace fuse or reset breaker tripped circuit breaker
3. Cord damaged	3. Have cord replaced by authorized service center
4. Brushes worn out	4. See "Brushes" in this manual

<b>TROUBLE! SAW MAKES UNSATISFACTORY CUTS</b>	
<b>WHAT'S WRONG?</b>	<b>WHAT TO DO...</b>
1. Dull blade	1. Replace blade
2. Blade mounted backwards	2. Turn blade around
3. Gum or pitch on blade	3. Remove blade and clean with turpentine and coarse steel wool or household oven cleaner
4. Incorrect blade for work being done	4. Change the blade

<b>TROUBLE! BLADE DOES NOT COME UP TO SPEED</b>	
<b>WHAT'S WRONG?</b>	<b>WHAT TO DO...</b>
1. Extension cord too light	1. Replace with adequate or too long size cord
2. Low house current	2. Contact your electric company

<b>TROUBLE! MACHINE VIBRATES EXCESSIVELY</b>	
<b>WHAT'S WRONG?</b>	<b>WHAT TO DO...</b>
1. Saw not mounted securely	1. Tighten all mounting hardware
2. Stand or bench on uneven floor	2. Reposition on flat level surface
3. Damaged saw blade	3. Replace blade

<b>TROUBLE! DOES NOT MAKE ACCURATE MITRE CUTS</b>	
<b>WHAT'S WRONG?</b>	<b>WHAT TO DO...</b>
1. Mitre scale not adjusted	1. Check and adjust correctly
2. Blade is not square to fence	2. Check and adjust
3. Workpiece moving	3. Clamp workpiece to fence or glue 120 grit sandpaper to fence with rubber cement

<b>TROUBLE! MATERIAL PINCHES BLADE</b>	
<b>WHAT'S WRONG?</b>	<b>WHAT TO DO...</b>
1. Cutting bowed material	1. Position bowed material as shown in Figure 11

**NOTE**

- Stanley's policy is one of continuous improvement to our products and, as such, we reserve the right to change product specifications without prior notice.
- Standard equipment and accessories may vary by country.
- Product specifications may differ by country.
- Complete product range may not be available in all countries. Contact your local Stanley dealers for range availability.

## Protecting the environment



Separate collection. This product must not be disposed of with normal household waste.

Should you find one day that your Stanley product needs replacement, or if it is of no further use to you, do not dispose of it with household waste. Make this product available for separate collection.



Separate collection of used products and packaging allows materials to be recycled and used again. Re-use of recycled materials helps prevent environmental pollution and reduces the demand for raw materials.

Local regulations may provide for separate collection of electrical products from the household, at municipal waste sites or by the retailer when you purchase a new product. Stanley provides a facility for the collection and recycling of Stanley products once they have reached the end of their working life. To take advantage of this service please return your product to any authorised repair agent who will collect them on our behalf.

You can check the location of your nearest authorised repair agent by contacting your local Stanley office at the address indicated in this manual. Alternatively, a list of authorised Stanley repair agents and full details of our after-sales service and contacts are available on the Internet at: [www.2helpU.com](http://www.2helpU.com)

## Specifications

STSM1510		
POWER	W	1500
NO-LOAD SPEED	/min	5500
MAX. DIAMETER	mm	140x70
BLADE DIAMETER	mm	254
BLADE BORE	mm	30
Weight	kg	12.5

## Service Information

STANLEY offers a full network of authorized service locations. All STANLEY Service Centers are staffed with trained personnel to provide customers with efficient and reliable power tool service. For more information about our authorized service centers and if you need technical advice, repair, or genuine factory replacement parts, contact the STANLEY location nearest you.

## One year warranty

If your STANLEY product becomes defective due to faulty materials or workmanship within 12 months from the date of purchase, STANLEY guarantees to replace all defective parts free of charge or – at our discretion – replace the unit free of charge provided that:

- The product has not been misused and has been used in accordance with the instruction manual.
- The product has been subject to fair wear and tear;
- Repairs have not been attempted by unauthorised persons;
- Proof of purchase is produced.
- The STANLEY product is returned complete with all original components

If you wish to make a claim, contact your seller or check the location of your nearest authorised STANLEY repair agent in the STANLEY catalogue or contact your local STANLEY office at the address indicated in this manual. A list of authorised STANLEY repair agents and full details of our after sales service is available on the internet at: [www.stanleytools.com](http://www.stanleytools.com)



## Names & Addresses for STANLEY Service Concessionaries - MIDDLE EAST & AFRICA

**ALGERIA:** Sarl Outillage Corporation, 08 Rue Med Boudiaf - Cheraga - Algiers, Algeria. Tel: (213-21) 375130, Fax: (213-21) 369667. **ANGOLA:** Angoferraria, Lda., Rua Robert Shields, No. 61, Luanda, Angola, Tel: 00244-222-395837 / 222-395034, Fax: 00244-222-394790. **AZERBAIJAN:** Royalton Holdings Ltd. 41 Khagani St. Apt. 47 AZ 1001, Baku. Tel: (994-12) 4935544, Fax: (994-12) 5980378. **BAHRAIN:** Kavalani & Sons W.L.L., P.O. Box 71, Sitra, Manama, Tel: (973) 17732888, Fax: (973) 17737379. Alfouz Services Co. W.L.L., P.O. Box 26562, Tubli, Manama. Tel: (973) 17783562, Fax: (973) 17783479. **EGYPT:** El Farab S.A.E., 15-Nabil El Wakkad Street, Dokki, Giza, Egypt, Tel: 00202-37603946 / 002-010-2582544, Fax: 00202-33352796. **ETHIOPIA:** Seif Tewfik Sherif, Arada Sub-City, Kebele 01/02, Global Insurance Building, 2nd Floor, Room 43, P.O. Box 2525, Addis Ababa, Ethiopia. Tel: (251-11) 1563968/ 1563969, Fax: (251-11) 1558009. **IRAQ:** Financial Links, Kazzaz Building Arasat Al-Hindia Block No: 629 Street: 31Building No: 1 Baghdad - Iraq. Tel: 00964 (0)780 195 2223/ 00964 (0)781 3763044. Al Sard Co. for General Trading Ltd. Jbara Bldg. 3Flr, Al Rasheed St. Bagdad. Tel: (964) 18184102. Sakhar Group, Arrasat al-hindya Al Masbah, Bagdad. (964) 7400144446. **JORDAN:** Palestine Bldg. Matl. (Bashiti Hardware), 93 King Abdullah 2nd Street, Opp. ELBA House, P.O. Box 3005, Amman 11953, Tel: (962-6) 5349098, Fax: (962-6) 5330731. **KENYA:** Dextron Tools Ltd., P.O. Box 20121-00200, Shariff House, Kimathi Street, Nairobi. Tel: (254-20) 6905000/ 2358021, Fax: (254-20) 6905111/ 6905112. **KUWAIT:** Al Omar Technical Co., P.O. Box 4062, 13041 Safat, Kuwait. Tel: (965) 24848595/ 24840039, Fax: (965) 24845652. Fawaz Al Zayani Establishment, P.O. Box 42426, Shop No. 18, Al Humaizi Commercial Complex, Khalifa Al Jassim, Shuwaikh, Kuwait. Tel: (965) 24828710, Fax: (965) 24828716. Fawaz Al Zayani Establishment, P.O. Box 42426, Shop No.18, Al Humaizi Commercial Complex, Khalifa Al Jassim, Shuwaikh, Kuwait, Tel: (965) 24828710, Fax: (965) 24828716. Fawaz Al Zayani Establishment, Fahaheel Industrial Area, Main St., Sanaya, Kuwait, Tel: (965) 23925830, Fax: (965) 24828716. **LEBANON:** Est. Shaya & Azar S.A.R.L., Boulevard Jdeideh - Mar Takla - Bouchrieh .P.O. Box 90545 Jdeideh.Beirut - Lebanon, Tel: 00961 1 872305 / 306, Fax: 00961 1 872303. **LIBYA:** North Africa Trading ( El Ghoul Brothers), AlHilal Service Center Tawergha St. Misurata, Tel: 00218-091-3221408. **(Benghazi)** Sniydel st., Amr Ibn EL-Aas Rd. Tel: (+218) 92 5771120. **(Tripoli)** Al Barniq Service Center, Mokhazin elsukar st., ElFallah. Tel: (+218) 21 4808019. **(Misrata)** Al Hilal Service Center, Tawergha st. Tel: (+218) 51 2626743. **MAURITIUS:** Robert Le Marie Limited, Old Moka Road, Bell Village, P.O. Box 161, Port Louis, Tel: 00230-212 1865/ 212 2847, Fax: 00230-2080843. **MOROCCO:** Ets Louis Guillaud & Cie, 149, Quartier Industriel, Moulay Rachid, Casablanca, Postal Code 20450, Morocco, Tel: 00212-522729233, Fax: 00212-522729096. **NIGERIA:** Meridian Power Tools Ltd., Gr.Floor, #1 Alhaji Masha Rd, Next to Teslim Balogun Stadium, Near National Stadium Surulere, Lagos, Nigeria, Tel: 00234-1-7740431 / 7740410, Fax: 00234-1-7913798. **OMAN:** Al Jizzi Company LLC, P.O. Box 1704,PC 112 Ruwi, Oman, Tel: (968) 24832618/ 24835153, Fax: (968) 24831334/24836460. Al Hassan Technical & Construction Supplies Co. LLC, P.O. Box 1948, P.C. 112, Ruwi, Tel: (968) 24810575 / 24837054, Fax: (968) 24810287/ 24833080. Oman Hardware Co. LLC, P.O. Box 635, Ruwi Postal Code 112, Te: (968) 24815131, Fax: (968) 24816491. Khimji Ramdas, P.O. Box 19, Post Code 100, Ghala, Muscat, Oman. Tel: (968) 24595906/ 907, Fax: (968) 24852752. Oman Marketing & Service Co. (Omasco), P.O. Box 2734, Behind Honda Showroom, Wattayah, Oman. Tel: (968) 24560232/ 24560255, Fax: (968) 24560993. Oman Marketing & Service Co. (Omasco), Al Ohi, Sohar, Oman. Tel: (968) 26846379, Fax: (968) 26846379. Oman Marketing & Service Co. (Omasco), Sanaya, Salalah, Oman. Tel: (968) 23212290, Fax: (968) 23210936. **PAKISTAN:** ZIT Co - Nasir & Bros., 2nd Floor, Qadri Center, Chowk Dalgran Railway Road, Lahore, Pakistan, Tel: 0092 42 37670839, Fax: 0092 42 37652989. Ammar Service & Spares, 60-Bank Arcade, Serai Road, Karachi, Pakistan. Tel: (92-21) 32426905, Fax: (92-21) 32427214. **QATAR:** Teyseer Industrial Supplies & Services Co. W.L.L, 55, Al Wakalat St. (Between St. 18 & 19) Salwa Industrial Area, P.O. Box 40523 Doha,Qatar, Te: (974) 44581536, Fax: (974) 44682024. Shaheen Electrical Works & Trading Co. W.L.L, Gate 34, St. 44 Industrial Area P.O. Box 9756, Doha, Tel: (974) 44600230 /44600525, Fax: (974) 44601338. Al Muftah Service Centre, Al Wakrah Road, P.O. Box 875, Doha,Qatar, Tel: (974) 44650880/ 44650110/ 44446868, Fax: (974) 44441415 / 44662599. **SAUDI ARABIA:** **(Al Bahr)** Mohamed Ahmed Bin Aff Est., P.O. Box 530, Yanbu, Al Bahr. Tel: (966-4) 3222626/ 3228867, Fax: (966-4) 3222210. **(Al Khobar)** Fawaz Ebrahim Al Zayani Trading Est., P.O. Box 76026, Al Khobar # 31952, Tel: (966-3) 8140914, Fax: (966-3) 8140824. MSS (Al-Mojil Supply & Services) P.O. Box 450, Jubail 31951, Opp. Gulf Bridge Library & Riyadh House. Tel: (966-3) 3612850/ 3624487/ 3621729, Fax: (966-3) 3623589/ 3620783. **(Dammam)** MSS (Al-Mojil Supply & Services), P.O. Box 450, Jubail 31951.Opp-Gulf Bridge Library & Riyadh House, Tel: (966-3) 3612850 / 3624487 / 3621729, Fax: (966-3) 3623589 / 3620783. Al Bawardi Tools & Hardware, P.O. Box 112, Dammam, Tel: (966-3) 8330780 Ext.24 / 8348585 Ext. 24 / +966-3-8335555, Fax: (966-3) 8336303. **(Al Hassa)** Mutawa Trading & Gen. Services, Maliki road Hafuf city, Al Hassa, KSA. Tel: (966) 502846275 **(Jeddah)** Al Bawardi Tools & Hardware, P.O. Box 16905, Jeddah 21474, Tel: (966-2) 6444547 / 6439035 / 6456095, Fax: (966-2) 6439024. EAC (Al Yousef Contg. & Trdg. Est.), P.O. Box 30377, Jeddah -21477, Tel: (966-2) 6519912, Fax: (966-2) 6511153. **(Madina)** Garziz Trading for Bldg Mat & Decoration, P.O. Box 3364, Madina, Tel: (966-4) 826 14 90 / 8227636, Fax: (966-4) 8265741. **(Riyadh)** Industrial Material Organization (IMO), P.O. Box 623, Rail Street ,Riyadh, Tel: (966-1) 4028010 Ext 26 / 8001245757, Fax: (966-1) 4037970. Sultan Garment Factory (RSC), P.O. Box 29912, Riyadh 11467, KSA, Tel: (966-1) 4055148 / 4042889, Fax: (966-1) 4055148. Al Bawardi Tools & Hardware, P.O. Box 68, Riyadh 11411, Tel: (966-1) 4484999, Fax: (966-1) 4487877. **(Yanbu)** Fawaz Ebrahim Al Zayani, Opposite to Al Fouzan, Jeddah highway or King Abdul Aziz road, Yanbu. Tel: (966-4) 3960980, Fax: (966-4) 3961980. Mohamed Ahmed Bin Aff Est., P.O. Box 530, Yanbu, Al Bahr, Tel: (966-4) 3222626/ 3228867, Fax: (966-4) 3222210. **SOUTH AFRICA:** Stanley Black & Decker - RSA, 199 Winze Drive Stormill Ext 9 Roodepoort, Tel: (2711) 472 0454, Fax: (2711) 472 0482. Trevco Power Tool Service 14 Steenbok Street, Koedoespoort, 0186, Pretoria, South Africa. Tel: (27-86) 1873826, Fax: (27-86) 5001771. **TANZANIA:** General Motors investment Ltd., P.O. Box 16541, 14 Nyerere Road, Vingunguti, Dar-es-Salaam. Tel: (255 22) 2862661/ 2865022, Fax: (255 22) 2862667. **TUNISIA:** Societe Tunisienne De Maintenance (STM), Rue de la Physique. Nouvelle Zone Industrielle Ben Arous., 2013 Ben Arous, Tunisia. Tel: (+216) 79 389687, Fax: (+216) 71 385154. **UAE:** **(Abu Dhabi)** Light House Electrical, P.O. Box 120, Abu Dhabi, Tel: (971-2) 6726131, Fax: (971-2) 6720667. Galaxy Equipment Trading, Madinath Zayed (Baada Zaid), Abu Dhabi P.C. 58910, Tel: (971-2) 8844279, Fax: (971-2) 8844297 **(Ajman)** Al Sukoon Gen. Trdg. Co. LLC, P.O. Box 2975, Ajman. Tel: (971-6) 7435725/ 7438317, Fax: (971-6) 7437350. Al Sukoon Gen. Trdg. Co. LLC, P.O. Box 2975, Ajman, Tel: (971-6) 7435725 / 7438317, Fax: (971-6) 7437350 **(Al Ain)** Zillion Equipment and Spare Parts Trading LLC, P.O. Box 19740, Opp. Bin Sadal/ Trimix Redymix Sanaiya, Al Ain. Tel: (971-3) 7216690, Fax: (971-3) 7216103. **(Dubai)** Black & Decker (Overseas) GmbH, P.O. Box 5420, Dubai, Tel: (971-4) 8127400/ 8127406, Fax: (971-4)2822765. Ideal Star Workshop Eqpt.Trading LLC, P.O. Box 37116, Al Quoz, Dubai, Tel: (971-4) 3474160, Fax: (971-4) 3474157, Fine Tools, P.O.Box 30139, Al Quoz, Dubai, Tel: (971-4) 3385240, Fax: (971-4) 3385239, Alebrah Engineering Service, P.O. Box 78954, Al Qusais , Dubai, Tel: (971-4) 2850044, Fax: (971-4) 2844802. **(Musaffah)** Light House Electrical, P.O. Box 120, Abu Dhabi, Tel: (971-2) 5548315, Fax: (971-2) 5540461. **(Sharjah)** Mc Coy Middle East LLC, P.O. Box 25793, Sharjah, Tel: (971-6) 5395931, Fax: (971-6) 5395932. Burj Al Madeena, Industrial Area No.1, Opp. Pakistani Masjid, P.O. Box 37635, Sharjah. Tel: (971-6) 5337747, Fax: (971-6) 5337719. Burj Al Madeena, , Industrial Area No 1,opp Pakistani Masjid P.O. Box 37635, Sharjah, Tel: (971-6) 5337747, Fax: (971-6) 5337719 **(Ras Al Khaimah)** Mc Coy Middle East LLC, P.O. Box 10584, Ras Al Khaimah, Tel: (971-7) 2277095, Fax: (971-7) 2277096. **UGANDA:** The Building Center (U) Ltd., 52 Station Road, Kitgum House, P.O. Box 7436, Kampala, Uganda. Tel: (256-41) 4234567/ 4259754, Fax: (256-41) 4236413. **YEMEN:** **(Aden)** Middle East Trad. Co. Ltd. (METCO), Mualla Dakka, Aden, Yemen. Tel: (967-2) 222670, Fax: (967-2) 222670. **(Sana'a)** Middle East Trad. Co. Ltd. (METCO), Hayel St., Sana'a, Yemen. Tel: (967-1) 204201, Fax: (967-1) 204204. **(Taiz)** Middle East Trading Co. (METCO), P.O. Box 12363, 5th Flr, Hayel Saeed Anam Bldg, Al-Mugamma St. Taiz, Yemen. Tel: (967-4) 213455, Fax: (967-4) 219869.