

VT-8138

Vacuum cleaner

Пылесос

Инструкция по эксплуатации

| | |
|---------------------------------------|-----------|
| GB Manual instruction | 3 |
| RUS Инструкция по эксплуатации | 7 |
| KZ Пайдалану нұсқасы | 12 |
| UA Інструкція з експлуатації | 17 |
| KG Пайдалануу боюнча нускама | 22 |

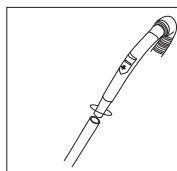
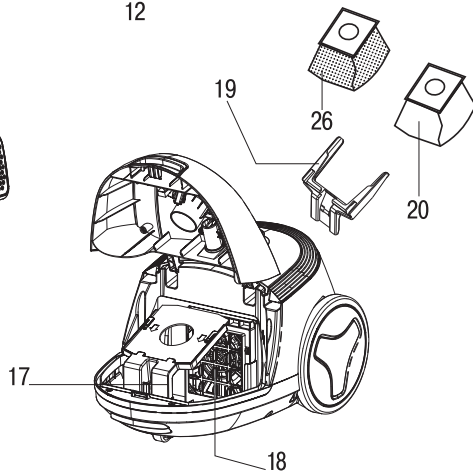
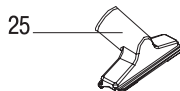
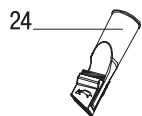
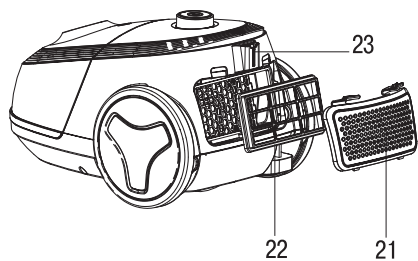
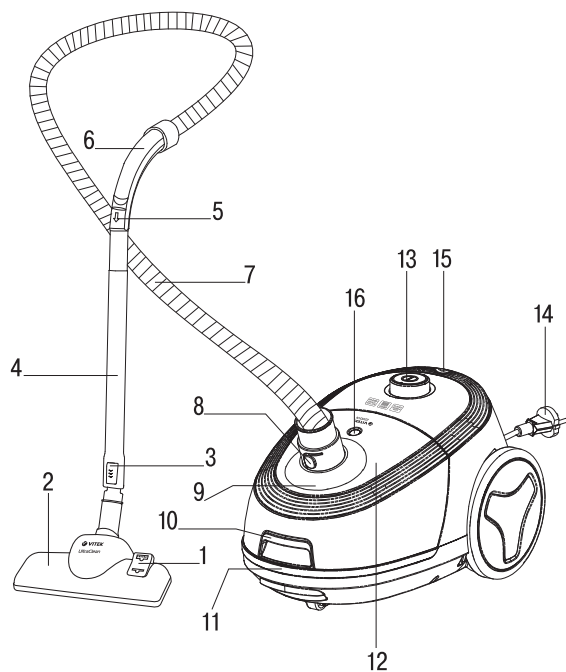


рис.1



рис.2

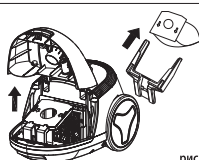


рис.3



рис.4

VACUUM CLEANER VT-8138

The vacuum cleaner is intended for room dry cleaning.

DESCRIPTION

1. «FLOOR/CARPET» mode switch
2. Floor/carpet UltraClean brush
3. Telescopic pipe clamp
4. Telescopic extension pipe
5. Manual suction power control
6. Flexible hose handle
7. Flexible hose
8. Flexible hose ending with clamps
9. Air inlet
10. Dustbag compartment lid clip
11. Carrying handle
12. Dustbag compartment lid
13. ON/OFF/suction power control knob
14. Power cord
15. Power cord winding button
16. Dustbag-full indicator
17. Dustbag holder installation place
18. Grid with inlet filter
19. Dustbag holder
20. Reusable cloth dustbag with plastic clamp
21. Outlet filter grid
22. Outlet HEPA filter
23. Brush storage
24. Combined brush/crevice nozzle
25. Furniture brush
26. Disposable paper dustbag

ATTENTION!

For additional protection you can install a residual current device with nominal operation current not exceeding 30 mA into the mains; contact a specialist for installation.

SAFETY MEASURES

Read this instruction manual carefully before using the unit and keep it for the whole operation period. Use the unit for its intended purpose only, as specified in this manual. Mishandling of the unit may lead to its breakage and cause harm to the user or damage to his/her property.

To avoid the risk of fire, electric shock and to prevent injury, observe the following safety measures.

- Before connecting the unit to the mains, make sure that the voltage specified on the unit corresponds to your home mains voltage.
- To avoid fire, do not use adapters for connecting the unit to the mains.
- Do not leave the plugged in vacuum cleaner unattended. Always unplug the vacuum cleaner from the mains if it is not being used, before changing attachments or before unit maintenance.
- To prevent the risk of electric shock, do not use the vacuum cleaner outdoors, do not use it for collecting water or any other liquids (do not use the vacuum cleaner on wet surfaces).
- Carry the vacuum cleaner holding it by the carrying handle only.
- Do not use the power cord for carrying the vacuum cleaner, do not close the door if the power cord runs through the doorway, do not let the power cord come in contact with sharp corners or edges of furniture, and with hot surfaces. Do not run over the power cord with the vacuum cleaner while room cleaning as this can damage it.
- Always first switch the vacuum cleaner off with the ON/OFF button and only after that take the power plug out of the mains socket.
- When unplugging the unit, pull the plug but not cord.
- Do not touch the plug or the body of the vacuum cleaner with wet hands.
- Hold the winding cord with hand to avoid the plug hitting against the floor.
- Do not cover the unit outlet with any objects.
- Do not switch the unit on if any of its openings are blocked.
- Keep hair, free hanging clothes, fingers and other parts of your body away from the vacuum cleaner air inlets.
- Be especially cautious while cleaning the stair landings.
- Do not use the vacuum cleaner for collecting such highly inflammable liquids as gasoline and solvents, do not use the vacuum cleaner in places where such liquids are stored.
- Do not use the vacuum cleaner for collecting water and other liquids, burning or smoking cigarettes, matches, cinders as well as fine dust, for example, of plaster, concrete, flour or ashes.
- Do not use the vacuum cleaner if:
 - the dustbag is not installed or installed improperly;
 - the inlet and outlet filters are not installed.
- Do not immerse the unit body into water or other liquids.
- Use only the accessories and attachments supplied.

ENGLISH

- Clean the vacuum cleaner regularly.
- Keep the vacuum cleaner in a dry cool place.
- Do not use the vacuum cleaner to clean pets.
- Close supervision is necessary when children or disabled persons are near the operating unit.
- This unit is not intended for usage by children. During the unit operation and breaks between operation cycles, place the unit out of reach of children.
- The unit is not intended for usage by physically or mentally disabled persons (including children) or by persons lacking experience or knowledge if they are not under supervision of a person who is responsible for their safety or if they are not instructed by this person on the usage of the unit.
- Do not leave children unattended to prevent using the unit as a toy.
- For children safety reasons do not leave polyethylene bags, used as packaging, unattended.

Attention! Do not allow children to play with polyethylene bags or packaging film. **Danger of suffocation!**

- Regularly check the power plug and power cord integrity for damages.
- If the power cord is damaged, it should be replaced by the manufacturer, a maintenance service or similar qualified personnel to avoid danger.
- Do not attempt to repair the unit. Do not disassemble the unit by yourself, if any malfunction is detected or after it was dropped, unplug the unit and apply to any authorized service center from the contact address list given in the warranty certificate and on the website www.vitek.ru.
- Transport the unit in the original package only.
- Keep the unit out of reach of children and disabled persons.

THE UNIT IS INTENDED FOR HOUSEHOLD USE ONLY, ITS COMMERCIAL USAGE AND USAGE IN PRODUCTION AREAS AND WORK SPACES IS PROHIBITED.

ASSEMBLING THE VACUUM CLEANER

After unit transportation or storage at low temperature keep it for at least three hours at room temperature before switching on.

- Unpack the unit completely and remove any promo stickers that can prevent the unit operation.
- Check the unit for damages; do not use it in case of damages.
- Before switching the unit on, make sure that your home mains voltage corresponds to the unit operating voltage.
- The unit is intended for operation from an AC power network with the frequency of 50 or 60 Hz. The unit does not need any additional settings for operating with the required rated frequency.

Note: - before changing the attachment or replacing the dustbag switch the vacuum cleaner off and unplug it.

Attaching and removing the flexible hose

- Insert the flexible hose ending (8) into the air inlet (9).
- Insert the hose with a slight effort until the clamps locking.
- If you need to remove the flexible hose, press the clamps and detach the hose.

Attaching the telescopic pipe and the attachments

- Attach the telescopic extension pipe (4) to the flexible hose handle (6) (pic. 1).
- Extend the lower part of the telescopic extension pipe to the required length, having preliminary pressed the clamp (3).
- Choose the necessary attachment – floor/carpet brush (2), furniture brush (25) or combined crevice nozzle brush (24) – and attach it to the telescopic extension pipe (4) (pic. 2).

Note: - the attachments (24, 25) can be attached directly to the flexible hose handle (6).

USING OF THE BRUSH ATTACHMENTS

Floor/carpet UltraClean brush (2)

Set the switch (1) on the brush (2) to the required position (depending on the type of the surface being cleaned).

Combined brush/crevice nozzle (24)

This attachment can be used as a dust brush or a crevice nozzle; to do this set the brush to the necessary position.

Furniture brush (25)

Use the attachment (25) to clean the furniture upholstery.

DUSTBAGS (20, 26)

The delivery set includes a reusable cloth dustbag (20) and 3 disposable paper dustbags (26). The delivery set includes a reusable cloth dustbag (20) and 3 disposable paper dustbags (26). The paper dustbag (26) is disposable, dispose of the dustbag (26) when it is full.

USING THE VACUUM CLEANER

Safety measures

- Do not use the vacuum cleaner near hot surfaces, such as ashtrays and in places where inflammable liquids are stored.
- Take sharp objects away from the floor before cleaning to prevent unit damage.
- If the suction power of the vacuum cleaner decreases rapidly while cleaning, switch it off immediately and check the telescopic pipe (4) or the flexible hose (7) for obstruction. Switch the vacuum cleaner off, unplug it, remove the obstruction and only after that you can continue cleaning.

OPERATION

Attention! Switch the vacuum cleaner on only with the dustbag (20 or 26) and inlet (18) and outlet (22) filters installed. Always make sure that the filters (18, 22) are installed properly.

- Before using the unit, unwind the power cord to the required length and insert the power plug into the mains socket.
- The yellow mark on the power cord indicates the maximum cord length. Do not unwind the power cord further than the red mark.
- Press the ON/OFF knob (13) to switch the vacuum cleaner on.
- During the operation you can control the suction power by turning the power control knob (13) and using the manual suction power control (5) on the flexible hose handle (6).
- After cleaning the room, switch the vacuum cleaner off by pressing the ON/OFF knob (13) and unplug the unit.
- To wind the power cord (14), press the power cord winding button (15); hold the winding cord with your hand to avoid its whipping and damage.

CLEANING AND CARE

- If the full dustbag indicator (16) turns «red» during the vacuum cleaner operation, replace the paper (26) dustbag or clean up the cloth (20) dustbag.

Note: - the paper dustbag (26) is disposable, dispose of the dustbag (26) when it is filled up.

- Before cleaning the cloth dustbag (20) switch the vacuum cleaner off and unplug it.
- Open the dustbag compartment lid (12) pressing on the lid lock (10) (pic. 3).
- Remove the dustbag (20) with the holder (19).
- Take the dustbag (20) out from the holder (19) (pic. 3).
- To clean the cloth dustbag (20) place it above the trash bin and remove the plastic clamp. If necessary, wash the cloth dustbag (20) with warm water and neutral detergent and dry thoroughly, after that install the plastic clamp back to its place (pic. 4).
- Install the dustbag (20 or 26) into the holder (19).
- Install the holder (19) with the dustbag (20 or 26) to the installation place (17).
- Close the dustbag compartment lid (12), slightly press on the lid (12) until locking (10).

Note:

- do not try to close the lid (12) without the dustbag holder (19) installed, otherwise you can damage the locking system;
- always make sure that the dustbag holder (19) and the dustbag (20 or 26) are installed properly before closing the dustbag compartment lid (12).

CLEANING THE FILTERS

Provide that the inlet filter (18) and the outlet HEPA filter (22) are always clean, because the overall performance of the vacuum cleaner depends on it; clean the filters (18 and 22) no less than 3-4 times a year, and more often at severe obstruction.

Cleaning the inlet filter (18)

- Switch the vacuum cleaner off and unplug it.
- Open the dustbag compartment lid (12) pressing on the lid lock (10).
- Remove the dustbag holder (19) with the dustbag (pic. 3).
- Take the inlet filter grid (18) and remove it pulling upwards.
- Remove the inlet filter from the grid (18) and wash it with warm water, dry carefully and install back to its place.

Notes: - before installing the inlet filter make sure that it is clean and dry.

- Install the dustbag holder (19) with the dustbag (20 or 26) installed back to its place.
- Close the dustbag compartment lid (12).

ENGLISH

Cleaning the outlet HEPA filter (22)

- Switch the vacuum cleaner off and unplug it.
- Remove the outlet filter grid (21) by pressing the lock and remove the HEPA filter (22).
- Wash the HEPA filter (22) under slightly warm water jet. Do not wash filters in a dishwashing machine.
- Dry the HEPA filter (22). Do not dry the HEPA filter (22) with a hairdryer.
- Install the HEPA filter (22) back to its place.
- Install the outlet filter grid (21) back to its place.

Notes:

- Before installing the HEPA filter (22) make sure that it is clean and dry.
- Do not dry the HEPA filter (22) with a hairdryer.

Vacuum cleaner body

- Wipe the vacuum cleaner body with a soft, slightly damp cloth and then wipe it dry.
- Do not immerse the body of the vacuum cleaner, the power cord and the power plug of the unit into water or other liquids. Provide that no liquid gets inside the vacuum cleaner body.
- Do not use any solvents or abrasives for cleaning the vacuum cleaner body and the accessories.

STORAGE

- Before taking the vacuum cleaner away for long term storage, clean its body, the dustbag (20) and the filters (18, 22).
- For easy storing use the brush storage place (23) and the bottom part of the vacuum cleaner body.
- Keep the unit out of reach of children and disabled persons.

DELIVERY SET

Vacuum cleaner with the filters
and the cloth dustbag installed – 1 pc.
Flexible hose – 1 pc.
Telescopic extension pipe – 1 pc.
Floor/carpet UltraClean brush – 1 pc.
Attachments – 2 pcs.
Paper dustbag – 3 pcs.
Instruction manual – 1 pc.

TECHNICAL SPECIFICATIONS

Supply voltage: 220-240 V ~ 50/60 Hz
Rated input power: 1600 W
Max. power: 2200 W
Suction power: 400 W

RECYCLING



For environment protection do not throw out the unit and the batteries (if included), do not discard the unit and the batteries with usual household waste after the service life expiration; apply to specialized centers for further recycling.

The waste generated during the disposal of the unit is subject to mandatory collection and consequent disposal in the prescribed manner.

For further information about recycling of this product apply to a local municipal administration, a disposal service or to the shop where you purchased this product.

The manufacturer preserves the right to change design, structure and specifications not affecting general principles of the unit operation without a preliminary notification due to which insignificant differences between the manual and product may be observed. If the user reveals such differences, please report them via e-mail info@vitek.ru for receipt of an updated manual.

Unit operating life is 3 years

Guarantee

Details regarding guarantee conditions can be obtained from the dealer from whom the appliance was purchased. The bill of sale or receipt must be produced when making any claim under the terms of this guarantee.



This product conforms to the EMC Directive 2014/30/EU and to the Low Voltage Directive 2014/35/EU.

ПЫЛЕСОС VT-8138

Пылесос предназначен для сухой уборки помещений.

ОПИСАНИЕ

1. Переключатель режимов «ПОЛ/КОВЁР»
2. Щётка UltraClean для пола/ковровых покрытий
3. Фиксатор телескопической трубки
4. Телескопическая удлинительная трубка
5. Ручной регулятор мощности всасывания
6. Ручка гибкого шланга
7. Гибкий шланг
8. Наконечник гибкого шланга с фиксаторами
9. Воздухозаборное отверстие
10. Защёлка крышки отсека пылесборника
11. Ручка для переноски
12. Крышка отсека пылесборника
13. Ручка включения/выключения / регулятор мощности всасывания
14. Сетевой шнур
15. Клавиша сматывания сетевого шнура
16. Индикатор заполнения пылесборника
17. Место установки держателя пылесборника
18. Решётка с входным фильтром
19. Держатель пылесборника
20. Многоразовый тканевый пылесборник с пластмассовым зажимом
21. Решётка выходного фильтра
22. Выходной HEPA-фильтр
23. Место «парковки» щётки
24. Комбинированная щётка/щелевая насадка
25. Насадка для чистки мебельной обивки
26. Одноразовый бумажный пылесборник

ВНИМАНИЕ!

Для дополнительной защиты в цепь питания целесообразно установить устройство защитного отключения (УЗО) с номинальным током срабатывания, не превышающим 30 мА; при установке следует обратиться к специалисту.

МЕРЫ БЕЗОПАСНОСТИ

Перед использованием устройства внимательно прочитайте настоящее руководство по эксплуатации и сохраняйте его в течение всего срока эксплуатации.

Используйте устройство только по его прямому назначению, как изложено в данном руковод-

стве. Неправильное обращение с устройством может привести к его поломке, причинению вреда пользователю или его имуществу.

Для снижения риска возникновения пожара, для защиты от поражения электрическим током и защиты от травм следуйте приведённым ниже рекомендациям.

- Прежде чем подключить устройство к электросети, убедитесь в том, что напряжение, указанное на устройстве, соответствует напряжению электросети в вашем доме.
- Во избежание риска возникновения пожара не используйте переходники при подключении устройства к электрической розетке.
- Не оставляйте пылесос без присмотра, когда он включён в сетевую розетку. Обязательно вынимайте вилку сетевого шнура из электрической розетки, если не пользуетесь пылесосом, при смене насадок, а также перед обслуживанием устройства.
- Для снижения риска удара электрическим током не используйте пылесос вне помещений, запрещается использовать пылесос для сбора воды или любой другой жидкости (не используйте пылесос на влажных поверхностях).
- Переносить пылесос можно, только взявшись за ручку для переноски.
- Не используйте сетевой шнур для переноски пылесоса, не закрывайте дверь, если сетевой шнур проходит через дверной проём, избегайте контакта сетевого шнура с острыми краями или углами мебели, а также с нагретыми поверхностями. Во время уборки помещения запрещается переезжать пылесосом через сетевой шнур – вы можете его повредить.
- Сначала обязательно отключайте пылесос кнопкой включения/выключения, и только после этого можно вынимать вилку сетевого шнура из электрической розетки.
- Отключая устройство от электрической сети, не тяните за сетевой шнур, а беритесь за вилку сетевого шнура.
- Не прикасайтесь к сетевой вилке или к корпусу пылесоса мокрыми руками.
- Во время сматывания сетевого шнура придерживайте шнур рукой, не допускайте, чтобы сетевая вилка ударялась о поверхность пола.

- Запрещается закрывать выходное отверстие устройства какими-либо предметами.
- Запрещается включать устройство, если какое-либо из его отверстий заблокировано.
- Следите за тем, чтобы волосы, свободно висящие элементы одежды, пальцы или другие части тела не находились рядом с воздухозаборными отверстиями пылесоса.
- Будьте особенно внимательны при уборке лестничных площадок.
- Запрещается использовать пылесос для сбора растворителей и легковоспламеняющихся жидкостей, таких как бензин; запрещается использовать пылесос в местах хранения таких жидкостей.
- Запрещается с помощью пылесоса собирать воду или любые другие жидкости, горящие или дымящиеся сигареты, спички, тлеющий пепел, а также тонкодисперсную пыль, например, от штукатурки, бетона, муки или золы.
- Запрещается использовать пылесос, если:
 - не установлен или неправильно установлен пылесборник;
 - не установлены входной и выходной фильтры.
- Не погружайте корпус пылесоса в воду или в любые другие жидкости.
- Используйте только те аксессуары и насадки, которые входят в комплект поставки.
- Проводите регулярную чистку пылесоса.
- Храните пылесос в сухом прохладном месте.
- Не используйте пылесос для чистки домашних животных.
- Будьте особенно внимательны, если поблизости от работающего устройства находятся дети или лица с ограниченными возможностями.
- Данное устройство не предназначено для использования детьми. Во время работы и в перерывах между рабочими циклами размещайте устройство в местах, недоступных для детей.
- Прибор не предназначен для использования лицами (включая детей) с пониженными физическими, психическими или умственными способностями или при отсутствии у них опыта или знаний, если они не находятся под контролем или не

проинструктированы об использовании прибора лицом, ответственным за их безопасность.

- Осуществляйте надзор за детьми, чтобы не допустить использования устройства в качестве игрушки.
- Из соображений безопасности детей не оставляйте полиэтиленовые пакеты, используемые в качестве упаковки, без присмотра.

Внимание! Не разрешайте детям играть с полиэтиленовыми пакетами или упаковочной плёнкой. **Опасность удушья!**

- Регулярно проверяйте состояние вилки сетевого шнура и сам сетевой шнур на отсутствие повреждений.
- При повреждении шнура питания его замену во избежание опасности должны производить изготовитель, сервисная служба или подобный квалифицированный персонал.
- Запрещается самостоятельно ремонтировать прибор. Не разбирайте прибор самостоятельно, при возникновении любых неисправностей, а также после падения устройства выключите прибор из электрической розетки и обратитесь в любой авторизованный (уполномоченный) сервисный центр по контактному адресу, указанному в гарантийном талоне и на сайте www.vitek.ru.
- Перевозите устройство только в заводской упаковке.
- Храните устройство в местах, недоступных для детей и людей с ограниченными возможностями.

УСТРОЙСТВО ПРЕДНАЗНАЧЕНО ТОЛЬКО ДЛЯ БЫТОВОГО ИСПОЛЬЗОВАНИЯ В ЖИЛЫХ ПОМЕЩЕНИЯХ, ЗАПРЕЩАЕТСЯ КОММЕРЧЕСКОЕ ИСПОЛЬЗОВАНИЕ И ИСПОЛЬЗОВАНИЕ УСТРОЙСТВА В ПРОИЗВОДСТВЕННЫХ ЗОНАХ И РАБОЧИХ ПОМЕЩЕНИЯХ.

СБОРКА ПЫЛЕСОСА

После транспортировки или хранения устройства при пониженной температуре необходимо выдержать его при комнатной температуре не менее трёх часов.

- Полностью распакуйте устройство и удалите рекламные любые наклейки, мешающие работе устройства.
- Проверьте целостность устройства, при наличии повреждений не пользуйтесь устройством.

- Перед включением убедитесь в том, что напряжение электрической сети соответствует рабочему напряжению устройства.
- Устройство предназначено для работы от сети переменного тока с частотой 50 Гц или 60 Гц, для работы устройства при требуемой номинальной частоте никакая настройка не требуется.

Примечание: - прежде чем заменить насадку или извлечь пылесборник, отключите пылесос и извлеките вилку сетевого шнура из электрической розетки.

Подсоединение и снятие гибкого шланга

- Вставьте наконечник гибкого шланга (8) в воздухозаборное отверстие (9).
- Вставляйте шланг с небольшим усилием, до срабатывания фиксаторов.
- При необходимости снять гибкий шланг нажмите на фиксаторы и отсоедините шланг.

Подсоединение телескопической трубки и насадок

- Подсоедините телескопическую удлинительную трубку (4) к ручке гибкого шланга (6) (рис. 1).
- Выдвиньте нижнюю часть телескопической трубки на необходимую длину, предварительно нажав на фиксатор (3).
- Выберите необходимую насадку – щётку для пола/ковровых покрытий (2), насадку для чистки мебельной обивки (25) или комбинированную щётку/щелевую насадку (24) и подсоедините её к телескопической удлинительной трубке (4) (рис. 2).

Примечание: - насадки (24, 25) можно подсоединять к рукоятке гибкого шланга (6).

ИСПОЛЬЗОВАНИЕ ЩЁТОК-НАСАДОК Щётка UltraClean для пола/ ковровых покрытий (2)

Установите переключатель (1) на щётке (2) в необходимое положение (в зависимости от типа поверхности, на которой производится уборка).

Комбинированная щётка/щелевая насадка (24)

Насадка может использоваться как щётка для удаления пыли или как щелевая насадка, для этого установите щётку в нужное положение.

Насадка для чистки мебельной обивки (25)

Используйте насадку (25) для чистки тканевой обивки мягкой мебели.

ПЫЛЕСБОРНИКИ (20, 26)

В комплект поставки входит многоразовый тканевый пылесборник (20) и три бумажных одноразовых пылесборника (26). Бумажный пылесборник (26) одноразовый, при заполнении пылесборника (26) утилизируйте его.

ИСПОЛЬЗОВАНИЕ ПЫЛЕСОСА

Меры предосторожности

- Не производите уборку пылесосом в непосредственной близости от сильно нагретых поверхностей, например, рядом с пепельницами, а также в местах хранения легковоспламеняющихся жидкостей.
- Перед началом уборки уберите с пола острые предметы, чтобы не допустить повреждения устройства.
- Если во время уборки резко снизилась всасывающая мощность пылесоса, немедленно выключите его и проверьте телескопическую трубку (4) или гибкий шланг (7) на предмет засорения. Выключите пылесос и отключите его от электрической сети, устраните засор, и только после этого можно продолжать уборку.

ЭКСПЛУАТАЦИЯ

Внимание! Включать пылесос можно только с установленным пылесборником (20 или 26), а также с входным (18) и выходным (22) фильтрами. Обязательно проверьте правильность установки фильтров (18, 22).

- Перед началом работы вытяните сетевой шнур на необходимую длину и вставьте вилку сетевого шнура в электрическую розетку.
- Жёлтая отметка на сетевом шнуре предупреждает о максимальной длине сетевого шнура. Запрещается вытягивать сетевой шнур дальше красной отметки.
- Для включения пылесоса нажмите на ручку включения/выключения (13).
- Во время работы вы можете регулировать мощность всасывания поворотом ручки (13), а также с помощью ручного регулятора мощности всасывания (5), расположенного на ручке гибкого шланга (6).
- По окончании уборки в помещении нажмите на ручку включения/выключения (13) и извлеките вилку сетевого шнура из электрической розетки.

РУССКИЙ

- Для сматывания сетевого шнура (14) нажмите на клавишу сматывания сетевого шнура (15), придерживайте рукой сматывающийся шнур во избежание его захлёстывания и повреждения.

ЧИСТКА И УХОД

- Если во время работы пылесоса индикатор заполнения пылесборника (16) переключится на «красный», необходимо заменить бумажный (26) или очистить тканевый пылесборник (20).

Примечание: - бумажный пылесборник (26) одноразовый, при заполнении пылесборника (26) утилизируйте его.

- Прежде чем очистить тканевый пылесборник (20), выключите пылесос и извлеките вилку сетевого шнура из электрической розетки.
- Откройте крышку отсека пылесборника (12), нажав на фиксатор крышки (10) (рис. 3).
- Выньте пылесборник (20) вместе с держателем пылесборника (19) (рис. 3).
- Выньте пылесборник (20) из держателя (19).
- Для очистки тканевого пылесборника (20) расположите его над мусорным контейнером и снимите пластмассовый зажим. В случае необходимости промойте тканевый пылесборник (20) тёплой водой с мягким моющим средством и тщательно просушите, после чего установите пластмассовый зажим на место (рис. 4).
- Установите пылесборник (20 или 26) в держатель (19).
- Установите держатель (19) с установленным пылесборником (20 или 26) в место установки (17).
- Закройте крышку отсека пылесборника (12), слегка надавите на крышку (12) до срабатывания фиксатора (10).

Примечание:

- не пытайтесь закрыть крышку (12) без установленного держателя пылесборника (19), в противном случае Вы можете повредить систему блокировки;
- обязательно проверяйте правильность установки держателя пылесборника (19) и самого пылесборника (20 или 26), прежде чем закрыть крышку отсека пылесборника (12).

ЧИСТКА ФИЛЬТРОВ

Следите за чистотой входного фильтра (18) и выходного HEPA-фильтра (22), поскольку от

этого зависит эффективность работы пылесоса; проводите чистку фильтров (18 и 22) не менее трёх-четырёх раз в год, а при сильном засорении – чаще.

Чистка входного фильтра (18)

- Выключите пылесос и отключите его от электрической сети.
- Откройте крышку отсека пылесборника (12), нажав на фиксатор крышки (10).
- Выньте держатель пылесборника (19) вместе с пылесборником (рис. 3).
- Возьмитесь за решётку входного фильтра (18) и выньте её, потянув по направлению вверх.
- Выньте входной фильтр из решётки (18), промойте входной фильтр тёплой водой, тщательно просушите и установите на место.

Примечания: – перед установкой входного фильтра, убедитесь в том, что он чистый и сухой.

- Установите на место держатель пылесборника (19) с установленным пылесборником (20 или 26).
- Закройте крышку отсека пылесборника (12).

Чистка выходного HEPA-фильтра (22)

- Выключите пылесос и отключите его от электрической сети.
- Снимите решётку выходного фильтра (21), нажав на фиксатор, извлеките HEPA-фильтр (22).
- Промойте HEPA-фильтр (22) под струёй слегка тёплой воды. Не используйте для промывки фильтров посудомоечную машину.
- Просушите HEPA-фильтр (22). Запрещается использовать фен для сушки HEPA-фильтра (22).
- Установите HEPA-фильтр (22) на место.
- Установите на место решётку выходного фильтра (21).

Примечания:

- Перед установкой HEPA-фильтра (22) убедитесь в том, что он чистый и сухой.
- Запрещается использовать фен для сушки HEPA-фильтра (22).

Корпус пылесоса

- Протирайте корпус пылесоса слегка влажной мягкой тканью, после чего вытрите насухо.

- Запрещается погружать корпус пылесоса, сетевой шнур и вилку сетевого шнура в воду или в любые другие жидкости. Не допускайте попадания жидкости внутрь корпуса пылесоса.
- Запрещается использовать для чистки корпуса пылесоса и аксессуаров абразивные чистящие средства или любые растворители.

ХРАНЕНИЕ

- Прежде чем убрать пылесос на длительное хранение, проведите чистку корпуса, пылесборника (20) и фильтров (18, 22).
- Для удобства при хранении используйте места «парковки» щётки (23) и на нижней части корпуса пылесоса.
- Храните устройство в местах, недоступных для детей и людей с ограниченными возможностями.

КОМПЛЕКТАЦИЯ

Пылесос с установленными фильтрами и тканевым пылесборником – 1 шт.
 Гибкий шланг – 1 шт.
 Телескопическая удлинительная трубка – 1 шт.
 Щётка UltraClean для пола/ковровых покрытий – 1 шт.
 Насадки – 2 шт.
 Бумажный пылесборник – 3 шт.
 Инструкция – 1 шт.

ТЕХНИЧЕСКИЕ ХАРАКТЕРИСТИКИ

Электропитание: 220-240 В ~ 50/60 Гц
 Номинальная потребляемая мощность: 1600 Вт
 Максимальная мощность: 2200 Вт
 Мощность всасывания: 400 Вт

УТИЛИЗАЦИЯ



В целях защиты окружающей среды, после окончания срока службы прибора и элементов питания (если входят в комплект), не выбрасывайте их вместе с обычными

бытовыми отходами, передайте прибор и элементы питания в специализированные пункты для дальнейшей утилизации. Отходы, образующиеся при утилизации изделий, подлежат обязательному сбору с последующей утилизацией в установленном порядке. Для получения дополнительной информации об утилизации данного продукта обратитесь в местный муниципалитет, службу утилизации бытовых отходов или в магазин, где Вы приобрели данный продукт.

Производитель сохраняет за собой право изменять дизайн, конструкцию и технические характеристики, не влияющие на общие принципы работы устройства, без предварительного уведомления, из-за чего между инструкцией и изделием могут наблюдаться незначительные различия. Если пользователь обнаружил такие несоответствия, просим сообщить об этом по электронной почте info@vitek.ru для получения обновленной версии инструкции.

Срок службы устройства – 3 года



Данное изделие соответствует всем требуемым европейским и российским стандартам безопасности и гигиены.

ИЗГОТОВИТЕЛЬ: СТАР ПЛЮС ЛИМИТЕД (STAR PLUS LIMITED)

МЕСТОНАХОЖДЕНИЕ И ПОЧТОВЫЙ АДРЕС ДЛЯ СВЯЗИ: ЮНИТ БИ ЭНД СИ, 15Й ЭТАЖ, КЭЙСИ АБЕРДИН ХАУС, №38, ХЁНГ ИП РОУД, ВОНГ ЧУК ХАНГ, ГОНКОНГ, КНР

ИМПОРТЕР: ООО «ВИТЕК.РУС»

МЕСТОНАХОЖДЕНИЕ И ПОЧТОВЫЙ АДРЕС ДЛЯ СВЯЗИ: 117209, РФ, Г. МОСКВА, СЕВАСТОПОЛЬСКИЙ ПР-КТ, Д. 28, КОРП. 1.

www.vitek.ru

ТЕЛЕФОН ДЛЯ СПРАВOK: 8-800-100-18-30

СДЕЛАНО В КНР

ҚАЗАҚША

ШАҢСОРҒЫШ VT-8138

Шаңсорғыш панажайларды құрғақ өңдеу үшін арналған.

СИПАТТАМАСЫ

1. «ЕДЕН/КІЛЕМ» режимдерінің ауыстырғышы
2. Еденге/кілем жабындыларына арналған UltraClean қылшағы
3. Телескопты түтік бекіткіші
4. Телескопты ұзартқыш түтік
5. Сорғызу қуатының қолмен реттегіші
6. Иілгіш құбыршектің қолсабы
7. Иілгіш құбыршек
8. Бекіткіштері бар иілгіш құбыршектің ұштамасы
9. Ауатартқыш саңылау
10. Шаңжинауыш бөлігі қақпағының лектіргіші
11. Тасымалдауға арналған қолсап
12. Шаңжинауыш бөлігінің қақпағы
13. Сору қуаттылығын реттеу/қосу/сөндіру қолсабы
14. Желі бауы
15. Желі бауын орау пернесі
16. Шаңжинағыш толуының индикаторы
17. Шаңжинағыш ұстауышын орнату орны
18. Кіргізетін сүзгісі бар тор
19. Шаңжинауыш ұстауышы
20. Пластмасс қысқышы бар көпмәртелі маталы шаңжинауыш
21. Шығаратын сүзгі торы
22. Шығаратын HEPA-сүзгі
23. Қылшақ «тұрағы» орны
24. Аралас қылшақ/саңылауларға арналған қондырма
25. Жиһаз қаптауын тазалауға арналған қондырма
26. Бірмәртелі қағаз шаңжинауыш

НАЗАР АУДАРЫҢЫЗ!

Қосымша қорғаныс үшін қоректендіру тізбегіне қорғаныс ажыратылу құрылғысын (ҚАҚ) 30 МА-ден аспайтын номиналды іске қосылу тоғымен орнатқан дұрыс. ҚАҚ орнатқан кезде маманға хабарласқан жөн.

ҚАУІПСІЗДІК ШАРАЛАРЫ

Құрылғыны пайдалану алдында берілген пайдалану бойынша басшылықты зейін қойып оқып шығыңыз және оны бүкіл пайдалану мерзімі бойы сақтаңыз. Құрылғыны тек оның тікелей міндеті бойынша ғана берілген басшылықта жазылғандай пайдаланыңыз. Аспапты дұрыс қолданбау оның бұзылуына, пайдаланушыға немесе оның мүлкіне зиян келтіруі мүмкін.

Өртену, электр тоғымен зақымдану немесе жарақат алу тәуекелін азайту үшін төмендегі қауіпсіздік шаралары бойынша ұсыныстарды орындау керек.

- Құрылғыны электр желісіне қосу алдында, құрылғыда көрсетілген жұмыс істеу кернеуі сіздің үйіңіздің электр желісіндегі кернеуге сәйкес болуына көз жеткізіңіз.
- Өрт тәуекеліне жол бермеу үшін құрылғыны электр ашалығына қосқан кезде ауыстырғыштарды пайдаланбаңыз.
- Шаңсорғыш желілік ашалыққа қосулы кезде, оны қараусыз қалдырмаңыз. Сіз шаңсорғышты пайдаланбаған жағдайда, қондырмаларды ауыстырған кезде, сонымен қатар техникалық қызмет көрсету алдында, желілік бауды электрлік ашалықтан міндетті суырыңыз.
- Электр тоғы соққысы тәуекелін азайту үшін шаңсорғышты бөлмелерден тыс пайдаланбаңыз, шаңсорғышты суды немесе кез-келген басқа сұйықтықтарды жинау үшін пайдалануға тыйым салынады (шаңсорғышты дымқыл беттерде пайдаланбаңыз).
- Шаңсорғышты тасымалдауға арналған қолсаптан ұстап қана тасымалдауға болады.
- Желілік бауды шаңсорғышты тасымалдау үшін пайдаланбаңыз, егер желілік бау есік саңылауын өтетін болса, есікті жаппаңыз, желілік баудың жиһаздың үшкір шеттерімен немесе бұрыштарымен жанасуына жол бермеңіз. Бөлмені жинаған кезде желілік баудан шаңсорғышпен жүруге тыйым салынады – сіз оны бүлдіре аласыз.
- Алдымен шаңсорғышты іске/сөндіру батырмасымен сөндіріңіз және содан кейін ғана желілік баудың айыртетігін электрлік ашалықтан шығаруға болады.
- Құрылғыны электрлік желіден ажыратқан кезде желілік баудан тартпаңыз, ал желілік баудың айыретігінен қолыңызбен ұстаңыз.
- Желілік айыретікті немесе шаңсорғыш корпусын сулы қолмен ұстамаңыз.
- Желілік бауды орау кезінде бауды қолыңызбен ұстаңыз, желілік айыртетіктің еденге соғылуына жол бермеңіз.
- Құрылғының шығаратын саңылауын қандай да бір заттармен жабуға тыйым салынады.
- Егер құрылғының қандай да бір саңылауы бөгеттелген болса, оны іске қосуға тыйым салынады.
- Шаштардың, сонымен қатар бос салбыраған киім бөліктері, саусақтар немесе басқа дене мүшелері шаңсорғыштың ауатартқыш

- саңылауларының қасында орналаспауын қадағалаңыз.
- Баспалдақ алаңшаларын жинастырғанда аса назар болыңыз.
 - Шаңсорғышты бензин, еріткіштер сияқты жеңіл тұтанатын сұйықтықтарды жинауға пайдалануға тыйым салынады; шаңсорғышты осындай сұйықтықтарды сақтайтын жерлерде пайдалануға тыйым салынады.
 - Шаңсорғыш көмегімен суды немесе басқа сұйықтықтарды, жанып немесе түтіндеп жатқан темекілерді, сіріңкелерді, шоқты, сонымен қатар сылақтың, бетонның, ұнның немесе күлдің майда түйіршікті шаңын жинауға тыйым салынады.
 - Егер мыналар орнатылмаған болса шаңсорғышты пайдалануға тыйым салынады:
 - шаңжинауыш орнатылмаған немесе дұрыс құрастырылмаған;
 - кіргізетін және шығаратын сүзгілер.
 - Шаңсорғыш корпусын суға немесе кез-келген басқа сұйықтықтарға матырмаңыз.
 - Жеткізілім жинағына кіретін жабдықтар мен қондырмаларды ғана пайдаланыңыз.
 - Шаңсорғышты мезгілімен тазалауды жүргізіңіз.
 - Шаңсорғышты құрғақ салқын жерде сақтаңыз.
 - Шаңсорғышты үй жануарларын тазалау үшін пайдаланбаңыз.
 - Жұмыс істеп тұрған құрылғының қасында балалар немесе мүмкіндіктері шектеулі тұлғалар болса, аса назар болыңыз.
 - Берілген құрылғы балалардың пайдалануына арналмаған. Жұмыс уақытында және жұмыс циклдері арасындағы үзілістерде құрылғыны балалардың қолы жетпейтін жерлерде орналастырыңыз.
 - Дене, жүйке немесе сана мүмкіндіктері төмендетілген тұлғалардың (балаларды қоса) немесе оларда тәжірибесі немесе білімі болмаса, егер олар бақыланбаса немесе олардың қауіпсіздігі үшін жауап беретін тұлғамен аспапты пайдалану туралы нұсқаулықтар берілген болмаса, аспап олардың пайдалануына арналмаған.
 - Балаларға шаңсорғышты ойыншық ретінде пайдалануға рұқсат етпеңіз.
 - Балалардың қауіпсіздігі мақсатында орау ретінде пайдаланылатын полиэтилен қаптарды қараусыз қалдырмаңыз.

Назар аударыңыз! Балаларға полиэтилен қаптармен немесе пленкамен ойнауға рұқсат етпеңіз. **Тұншығу қаупі бар!**

- Желілік баудың айыртетігін және желілік баудың өзін бүлінулердің жоқ екеніне мезгілмен тексеріп тұрыңыз.
- Қуаттандыру бауы зақымданған жағдайда қауіп тууға жол бермеу үшін оны дайындаушы, сервистік қызмет немесе баламалы білікті маман ауыстыруы керек.
- Аспапты өз бетімен жөндеуге тыйым салынады. Аспапты өз бетіңізбен бөлшектемеңіз, кез-келген ақаулықтар пайда болғанда, соынмен қатар ол құлғаннан кейін кепілдеме талоны мен www.vitek.ru сайтында көрсетілген хабарласу мекен-жайлары бойынша кез-келген туындыгерлес (өкілетті) қызмет көрсету орталығына хабарласыңыз.
- Құрылғыны тек зауыттық орауда тасымалдаңыз.
- Құрылғыны балалардың және мүмкіндіктері адамдардың қолы жетпейтін жерде сақтаңыз.

ҚҰРЫЛҒЫ ТҮРҒЫН ПАНАЖАЙЛАРДА ТҰРМЫСТЫҚ ПАЙДАЛАНУ ҮШІН ҒАНА АРНАЛҒАН, ҚҰРЫЛҒЫНЫ КОММЕРЦИЯЛЫҚ ПАЙДАЛАНУ ЖӘНЕ ӨНДІРІСТІК АЙМАҚТАР МЕН ЖҰМЫС ПАНАЖАЙЛАРЫНДА ПАЙДАЛАНУҒА ТЫЙЫМ САЛЫНАДЫ.

ШАҢСОРҒЫШТЫ ҚҰРАСТЫРУ

Құрылғыны төмен температура жағдайында сақтаған немесе тасымалдаған кезде оны бөлме температурсында үш сағаттан кем емес уақыт ұстаған жөн.

- Құрылғыны толығымен қаптамадан шығарыңыз және құрылғының жұмысына кедергі келтіретін кез-келген жарнамалық жапсырмаларды алып тастаңыз.
- Құрылғыны бүтіндігін тексеріңіз, бұзылулар бар болғанда, оны пайдаланбаңыз.
- Құрылғыны іске қосу алдында, құрылғының жұмыс істеу кернеуі электр желісіндегі кернеуге сәйкес болуына көз жеткізіңіз.
- Құрал жиілігі 50 Гц немесе 60 Гц айналмалы ток желісінде жұмыс істеуге арналған, құралдың талап етілген номиналдық жиілікте жұмыс істеуі үшін ешқандай баптау талап етілмейді.

Ескерту: - қондырманы ауыстыру немесе шаңжинауышты шығару алдында шаңсорғышты сөндіріңіз және желілік баусымның айыртетігін электрлік ашалықтан шығарыңыз.

Иілгіш құбыршекті қосу және шешу

- Иілгіш құбыршектің ұштамасын (8) ауатарқыш саңылауға (9) салыңыз.

ҚАЗАҚША

- Құбыршекті сәл күш салып, бекіткіштер іске қосылғанға дейін салыңыз.
- Иілгіш құбыршекті шешу қажет болғанда бекіткіштерге басыңыз және құбыршекті шешіңіз.

Телескопты түтікті және қондырмаларды қосу

- Телескопты ұзартқыш түтікті (4) иілгіш құбыршектің қолсабына (6) қосыңыз (сур. 1).
- Алдын-ала бекіткішке (3) басып, телескопты түтіктің төменгі бөлігін қажетті ұзындыққа шығарыңыз.
- Қажетті қондырманы – еденге/кілем төсеніштеріне арналған қылшақты (2), жиһаз қаптауын тазалауға арналған қондырманы (25) немесе аралас қылшақты/саңылауларға арналған қондырманы (24) таңдаңыз және телескопты ұзартқыш түтікке (4) жалғаңыз (сур. 2).

Ескерту: - қондырмаларды (24, 25) иілгіш құбыршектің қолсабына (6) жалғауға болады.

ҚЫЛШАҚ-ҚОНДЫРМАЛАРДЫ ПАЙДАЛАНУ Еденге/ кілем жабындыларына арналған UltraClean қылшағы

Қылшақтағы (2) ауыстырғышты (1) қажетті күйіне (жинастыру жүргізіліп жатқан беттің түріне байланысты) ауыстырыңыз.

Аралас қылшақ/саңылауларға арналған қондырма (24)

Қондырма шаңды жоюға арналған қылшақ немесе саңылауларға арналған қондырма ретінде пайдаланылуы мүмкін, бұл үшін қылшақты қажетті күйге орнатыңыз.

Жиһаз қаптауын тазалауға арналған қондырма (25)

Қондырманы (25) жұмсақ жиһаздың маталы қаптауын тазалау үшін пайдаланыңыз.

ШАҢЖИНАУЫШТАР (20, 26)

Жеткізілім жинақталымына көп рет қолданылатын мата шаңжинағыш (20) және бір рет қолданылатын үш қағаз шаңжинағыш (26) кіреді. Бір рет қолданылатын қағаз шаңжинағыш (26), жаңжинағыш (26) толған кезде оны пайдаға жойыңыз.

ШАҢСОРҒЫШТЫ ПАЙДАЛАНУ Сақтандыру шаралары

- Қатты қыздырылған сыртқы беттердің тікелей қасында, күлсауыттардың қасында, сонымен қатар тез тұтанатын сұйықтықтар сақталатын

жерлерде шаңсорғышпен жинастыруды жүргізеңіз.

- Жинастыруды бастау алдында, құрылғының бұзылуына жол бермеу үшін еденнен үшкір заттарды алыңыз.
- Егер жинастыру кезінде шаңсорғыштың сорғызу қуаты кенет азайып қалса, оны дереу сөндіріңіз және телескопты түтіктің (4) немесе құбыршектің (7) қоқыстануын тексеріңіз. Шаңсорғышты сөндіріңіз, содан кейін оны электрлік желіден ажыратыңыз, қоқыстануды жойыңыз, осыдан кейін ғана жинастыруды жалғастыруға болады.

ПАЙДАЛАНУ

НАЗАР АУДАРЫҢЫЗ! Шаңсорғышты орнатылған шаңжинауышпен (20 немесе 26), сонымен қатар орнатылған кіргізетін (18) және шығаратын (22) сүзгілермен ғана іске қосуға болады. Сүзгілердің (18, 22) орнату дұрыстығын міндетті тексеріңіз.

- Жұмысты бастау алдында желілік бауды қажетті ұзындыққа шығарыңыз және желілік баусымның айыртетігін электрлік ашалыққа салыңыз.
- Желілік баусымдағы сары белгі желілік баудың максималды ұзындығы туралы сақтандырады. Желілік баусымды қызыл белгіден алшақ шығаруға тыйым салынады.
- Шаңсорғышты қосу үшін қосу/сөндіру қолсабына (13) басыңыз.
- Жұмыс кезінде сіз сору қуаттылығын қолсапты (13) бұрау арқылы, сондай-ақ, иілгіш құбыршектің (6) қолсабында орналасқан сору қуаттылығының қол реттегішін (5) пайдаланып реттей аласыз.
- Үй-жайды жинастыруды аяқтағаннан кейін қосу/сөндіру батырмасын (13) басыңыз және желі бауының ашасын электр розеткасынан шығарыңыз.
- Желі бауын (14) орау үшін желі бауын орайтын пернеге (15) басыңыз, оралып жатқан баудың қабатталуына және бүлінуіне жол бермеу үшін қолмен демеп тұрыңыз.

ТАЗАЛАУ ЖӘНЕ КҮТІМ

- Егер шаңсорғыш жұмысы уақытында шаңжинауыш толуының көрсеткіші (16) «қызылға» ауысса, қағаз шаңжинауышты (26) ауыстыру немесе маталы шаңжинауышты (20) тазалау керек.

Ескерту: - қағаз шаңжинауыш (26) бірмәртелі, шаңжинауыш (26) толғанда оны қайта өңдеңіз.

- Маталы шаңжинауышты (20) тазалау алдында, шаңсорғышты сөндіріңіз және желілік баусымның айыретегін электрлік ашалықтан шығарыңыз.
- Шаңсорғыш бөлігінің (10) қақпағын (12) бекіткішке басып ашыңыз (сур. 3).
- Шаңжинауышты (20) шаңжинауыш ұстауышымен (19) бірге шығарыңыз.
- Шаңжинауышты (20) ұстауыштан (19) шығарыңыз (сур. 3).
- Маталы шаңжинауышты (20) тазалау үшін оны қоқыс контейнердің үстінен орналастырыңыз және пластмасс қысқышты шешіңіз. Қажет болған жағдайда маталы шаңжинауышты (20) жұмсақ жуғыш заты бар жылы сумен жуыңыз және мұқият құрғатыңыз, содан кейін пластмасс қысқышты орнына орнатыңыз (сур. 4).
- Шаңжинауышты (20 немесе 26) ұстауышқа (19) орнатыңыз.
- Ұстауышты (19) орнатылған шаңжинауыштымен (20 немесе 26) орнату орнына (17) орналастырыңыз.
- Шаңжинауыш бөлігінің қақпағын (12) жабыңыз, бекіткіш іске қосылғанға дейін қақпаққа (12) сәл басыңыз.

Ескерту:

- шаңжинауыш ұстауышын (19) орнатпай қақпақты (12) жабуға тырыспаңыз, кері жағдайда сіз бәзеттеу жүйесін бүлдіре аласыз;
- шаңжинауыш бөлігінің қақпағын (12) жабу алдында, шаңжинауыш ұстауышының (19) және шаңжинауыштың (20 немесе 26) дұрыс орнатылғанын міндетті тексеріңіз.

СҮЗГІЛЕРДІ ТАЗАЛАУ

Кіргізетін сүзгінің (18) және шығаратын HEPA-сүзгінің (22) тазалығын қадағалаңыз, себебі бұған шаңсорғыш жұмысының нәтижелілігі байланысты болады; сүзгілерді (18 және 22) тазалауды жылына үш-төрттен кем емес рет, ал қатты қоқыстанған кезде – жиірек жүргізіңіз.

Кіргізетін сүзгіні (18) тазалау

- Шаңсорғышты сөндіріңіз және оны электрлік желіден ажыратыңыз.
- Қақпақ беткішіне (10) басып, шаңжинауыш бөлігінің қақпағын (12) ашыңыз.
- Шаңжинауыш ұстауышын (19) шаңжинауышпен бірге шығарыңыз (сур. 3).
- Кіргізетін сүзгінің торынан (18) ұстаңыз және оны жоғары бағытта тартып шығарыңыз.

- Кіргізетін сүзгіні (18) шығарыңыз, кіргізетін сүзгіні жылы сумен жуыңыз, мұқият құрғатыңыз және орнына орнатыңыз.

Ескерту: – кіргізетін сүзгіні орнату алдында, оның таза және құрғақ екеніне көз жеткізіңіз.

- Шаңжинауышы (20 немесе 26) орнатылған шаңжинауыш ұстауышын (19) орнына орнатыңыз.
- Шаңжинауыш бөлігінің қақпағын (12) жабыңыз.

Шығаратын HEPA-сүзгіні (22) тазалау

- Шаңсорғышты сөндіріңіз және оны электрлік желіден ажыратыңыз.
- Бекіткішке басып, шығаратын сүзгінің торын (21) шешіңіз, HEPA-сүзгіні (22) шығарыңыз.
- HEPA-сүзгіні (22) жылы судың ағынымен жуыңыз. Сүзгілерді жуу үшін ыдыс жуатын машинаны пайдаланбаңыз.
- HEPA-сүзгіні (22) құрғатыңыз. HEPA-сүзгіні (22) құрғату үшін фенді пайдалануға тыйым салынады.
- HEPA-сүзгіні (22) орнына орнатыңыз.
- Шығаратын сүзгінің торын (21) орнына орнатыңыз.

Ескерту:

- HEPA-сүзгіні (22) орнатуалдында, оның таза және құрғақ екеніне көз жеткізіңіз.
- HEPA-сүзгіні (22) құрғату үшін фенді пайдалануға тыйым салынады.

Шаңсорғыш корпусы

- Шаңсорғыш корпусын сәл дымқыл жұмсақ матамен сүртіңіз, содан кейін құрғатып сүртіңіз.
- Шаңсорғыш корпусын, желілік баусымды және желілік баусымның айыретегін суға немесе кез-келген басқа сұйықтықтарға салуға тыйым салынады. Шаңсорғыш корпусының ішіне судың тиюіне жол бермеңіз.
- Шаңсорғыш корпусын және жабдықтарын тазалау үшін қажайтін тазалағыш заттарды және кез-келген еріткіштерді пайдалануға тыйым салынады.

САҚТАЛУЫ

- Шаңсорғышты ұзақ уақытқа сақтауға қойғанға дейін, шаңсорғыш корпусын, шаңжинауышты (20) және сүзгілерді (18, 22) тазалауды жүргізіңіз.
- Сақтау кезіндегі ыңғайлылық үшін қылшақ «тұрағының» орнын (23) және шаңсорғыш корпусының төменгі бөлігіндегі орындарды пайдаланыңыз.
- Құрылғыны балалардың және мүмкіндіктері шектеулі адамдардың қолы жетпейтін жерде сақтаңыз.

ҚАЗАҚША

ЖАБДЫҚТАЛУЫ

Шаңсорғыш орнатылған сүзгілермен және маталы шаңжинауышпен – 1 дн.

Иілгіш құбыршек – 1 дн.

Телескопты ұзартқыш түтік – 1 дн.

Еденге/ кілем жабындыларына арналған

UltraClean қылшағы – 1 дн.

Қондырмалар – 2 дн.

Қағаз шаңжинауыш – 3 дн.

Нұсқаулық – 1 дн.

ТЕХНИКАЛЫҚ СИПАТТАМАЛАРЫ

Электрлік қуаттандыруы: 220-240 В ~ 50/60 Гц

Номиналдық тұтынатын қуаты: 1600 Вт

Максималды қуаты: 2200 Вт

Сорғызу қуаты: 400 Вт

ҚАЙТА ӨңДЕУ



Қоршаған ортаны қорғау мақсатында, аспаптың және қуаттандыру элементтерінің (егер жинақтың құрамына кірсе) қызмет ету мерзімі аяқталғаннан кейін, оларды күнделікті тұрмыстық қалдықтармен бірге тастауға болмайды, аспап пен қуаттандыру элементтерін ары қарай кәдеге асыру үшін мамандандырылған орындарға өткізу керек.

Бұйымдарды қайта өңдеу кезінде пайда болатын қалдықтар белгіленген тәртіп бойынша келесі қайта өңделетін міндетті жинауға жатады.

Берілген өнімді қайта өңдеу туралы қосымша ақпаратты алу үшін жергілікті муниципалитетке, тұрмыстық қалдықтарды қайта өңдеу қызметіне немесе берілген өнімді Сіз сатып алған дүкенге хабарласыңыз.

Дайындаушы аспапты жақсарту мақсатында, алдын-ала хабарламай, аспаптың дизайнын, конструкциясы және оның жұмыс қағидатына әсер етпейтін техникалық сипаттарын өзгерту құқығын өзіне қалдырады, соған байланысты нұсқаулық пен бұйымның арасында кейбір айырмашылықтар болуы мүмкін. Егер пайдаланушы осындай сәйкессіздіктерді анықтаса, нұсқаулықтың жаңартылған нұсқасын алу үшін сәйкессіздік туралы info@vitek.ru электрондық поштасына хабарлауыңызды сұраймыз.

Аспаптың қызмет ету мерзімі – 3 жыл

Гарантиялық міндеттілігі

Гарантиялық жағдайдағы қаралып жатқан бөлшектер дилерден тек сатып алынған адамға ғана беріледі. Осы гарантиялық міндеттілігіндегі шағымдалған жағдайда төлеген чек немесе квитанциясын көрсетуі қажет.

EAC

ПИЛОСОС VT-8138

Пилосос призначений для сухого прибирання приміщень.

ОПИС

1. Перемикач режимів «ПІДЛОГА/КИЛИМ»
2. Щітка UltraClean для підлоги/килимових покриттів
3. Фіксатор телескопічної трубки
4. Телескопічна подовжувальна трубка
5. Ручний регулятор потужності всмоктування
6. Ручка гнучкого шланга
7. Гнучкий шланг
8. Наконечник гнучкого шланга з фіксаторами
9. Повітрозабірний отвір
10. Заскочка кришки відсіку пилозбірника
11. Ручка для перенесення
12. Кришка відсіку пилозбірника
13. Ручка увімкнення/вимкнення/регулятор потужності всмоктування
14. Мережний шнур
15. Кнопка змотування мережного шнура
16. Індикатор заповнення пилозбірника
17. Місце установлення тримача пилозбірника
18. Решётка з вхідним фільтром
19. Тримач пилозбірника
20. Багаторазовий тканинний пилозбірник з пластмасовим затискачем
21. Решітка вихідного фільтра
22. Вихідний HEPA-фільтр
23. Місце «паркування» щітки
24. Комбінована щітка/щілинна насадку
25. Насадка для чищення меблевої оббивки
26. Одноразовий паперовий пилозбірник

УВАГА!

Для додаткового захисту у ланцюг живлення доцільно встановити пристрій захисного вимкнення (ПЗВ) з номінальним струмом спрацьовування, що не перевищує 30 мА; при установленні слід звернутися до фахівця.

ЗАХОДИ БЕЗПЕКИ

Перед використанням пристрою уважно прочитайте цю інструкцію з експлуатації та зберігайте її протягом всього терміну експлуатації. Використовуйте пристрій тільки за його прямим призначенням, як викладено у цьому керівництві. Неправильне поводження з пристроєм може призвести до його поломки, завдання шкоди користувачеві або його майну.

Для зниження ризику виникнення пожежі, для захисту від ураження електричним струмом та захисту від травм дотримуйтеся приведених нижче рекомендацій.

- Перш ніж підімкнути пристрій до електромережі, переконайтеся в тому, що напруга, вказана на пристрої, відповідає напрузі електромережі у вашому будинкові.
- Щоб уникнути ризику виникнення пожежі, не використовуйте перехідники при підмиканні пристрою до електричної розетки.
- Не залишайте пилосос без нагляду, коли він увімкнений в мережну розетку. Обов'язково виймайте вилку мережного шнура з електричної розетки, якщо не користуєтеся пилососом, при зміні насадок, а також перед обслуговуванням пристрою.
- Для зниження ризику ураження електричним струмом не використовуйте пилосос поза приміщеннями, забороняється використовувати пилосос для збирання води або будь-якої іншої рідини (не використовуйте пилосос на вологих поверхнях).
- Переносити пилосос можна тільки узявшись за ручку для перенесення.
- Не використовуйте мережний шнур для перенесення пилососа, не закривайте двері, якщо мережний шнур проходить через дверний проріз, уникайте контакту мережного шнура з гострими краями або кутами меблів, а також з нагрітими поверхнями. Під час прибирання приміщення забороняється переїжджати пилососом через мережний шнур – ви можете його пошкодити.
- Спочатку обов'язково вимикайте пилосос кнопкою увімкнення/вимкнення, і тільки після цього можна виймати вилку мережного шнура з електричної розетки.
- Вимикаючи пристрій з електричної мережі, не тягніть за мережний шнур, а беріться за вилку мережного шнура.
- Не торкайтеся мережної вилки або корпусу пилососа мокрими руками.
- Під час змотування мережного шнура притримуйте шнур рукою, не допускайте, щоб мережна вилка вдарялася об поверхню підлоги.
- Забороняється закривати вихідний отвір пристрою якими-небудь предметами.
- Забороняється вмикати пристрій, якщо який-небудь з його отворів заблокований.

УКРАЇНЬСКА

- Наглядайте за тим, щоб волосся, вільно висячі елементи одягу, пальці або інші частини тіла не знаходилися поряд з повітряозабірними отворами пілососа.
- Будьте особливо уважні при прибиранні сходових майданчиків.
- Забороняється використовувати пило-сос для збирання легкозаймистих рідин, таких як бензин; забороняється використовувати пілосос у місцях зберігання таких рідин.
- Забороняється за допомогою пілососа збирати воду або будь-які інші рідини, горячі або димлячі сигарети, сірники, тліючий попіл, а також тонкодисперсний пил, наприклад, від тиньку, бетону, борошна або золи.
- Забороняється використовувати пілосос, якщо:
 - не встановлений або неправильно встановлений пілозбірник;
 - не встановлені вхідний та вихідний фільтри.
- Не занурюйте корпус пілососа у воду або у будь-які інші рідини.
- Використовуйте тільки ті аксесуари та насадки, які входять до комплекту поставання.
- Робіть регулярне чищення пілососа.
- Зберігайте пілосос у сухому прохолодному місці.
- Не використовуйте пілосос для чищення домашніх тварин.
- Будьте особливо уважні, якщо поблизу від працюючого пристрою знаходяться діти або особи з обмеженими можливостями.
- Цей пристрій не призначений для використання дітьми. Під час роботи та у перервах між робочими циклами розміщайте пристрій у місцях, недоступних для дітей.
- Пристрій не призначений для використання особами (включаючи дітей) зі зниженими фізичними, психічними або розумовими здібностями або при відсутності у них досвіду або знань, якщо вони не знаходяться під контролем або не проінструктовані щодо використання пристрою особою, відповідальною за їх безпеку.
- Здійснюйте нагляд за дітьми, щоб не допустити використання пристрою як іграшки.
- З міркувань безпеки дітей не залишайте поліетиленові пакети, що використовуються як упаковка, без нагляду.

Увага! Не дозволяйте дітям грати з поліетиленовими пакетами або пакувальної плівкою.
Небезпека задушення!

- Регулярно перевіряйте стан вилки мережного шнура і сам шнур живлення на наявність пошкоджень.
- При пошкодженні шнура живлення його заміну, щоб уникнути небезпеки, мають робити виробник, сервісна служба або підібний кваліфікований персонал.
- Забороняється самостійно ремонтувати пристрій. Не розбирайте пристрій самостійно, при виникненні будь-яких несправностей, а також після падіння пристрою вимкніть пристрій з електричної розетки та зверніться до найближчого авторизованого (уповноваженого) сервісного центру за контактними адресами, вказаними у гарантійному талоні та на сайті www.vitek.ru.
- Перевозьте пристрій лише у заводській упаковці.
- Зберігайте пристрій у місцях, недоступних для дітей та людей з обмеженими можливостями.

ПРИСТРІЙ ПРИЗНАЧЕНИЙ ТІЛЬКИ ДЛЯ ПОБУТОВОГО ВИКОРИСТАННЯ У ЖИТЛОВИХ ПРИМІЩЕННЯХ, ЗАБОРОНЯЄТЬСЯ КОМЕРЦІЙНЕ ВИКОРИСТАННЯ ТА ВИКОРИСТАННЯ ПРИСТРОЮ У ВИРОБНИЧИХ ЗОНАХ ТА РОБОЧИХ ПРИМІЩЕННЯХ.

СКЛАДАННЯ ПИЛОСОСА

Після транспортування або зберігання пристрою при зниженій температурі необхідно витримати його при кімнатній температурі не менше трьох годин.

- Повністю розпакуйте пристрій та видаліть будь-які рекламні наклейки, що заважають роботі пристрою.
- Перевірте цілісність пристрою, за наявності пошкоджень не користуйтеся пристроєм.
- Перед вмиканням переконайтеся в тому, що напруга електричної мережі відповідає робочій напрузі пристрою.
- Пристрій призначений для роботи в мережі змінного струму з частотою 50 Гц або 60 Гц, для роботи пристрою при потрібній номінальній частоті ніяке налаштування не потребується.

Примітка: - перш ніж замінити насадку або витягнути мішок, вимкніть пилосос та витягніть вилку мережного шнура з електричної розетки.

Приєднання та зняття гнучкого шланга

- Вставте наконечник гнучкого шланга (8) у повітрозабірний отвір (9).
- Вставляйте шланг з невеликим зусиллям до спрацювання фіксаторів.
- За необхідністю зняти гнучкий шланг натисніть на фіксатори та від'єднайте шланг.

Приєднання телескопічної трубки та насадок

- Приєднайте телескопічну подовжувальну трубку (4) до ручки гнучкого шланга (6) (мал. 1).
- Висуньте нижню частину телескопічної трубки на необхідну довжину, попереду натиснувши на фіксатор (3).
- Виберіть необхідну насадку – щітку для підлоги/килимових покриттів (2), насадку для чищення меблевої оббивки (25) або комбіновану щітку/щілинну насадку (24) та приєднайте її до телескопічної подовжувальної трубки (4) (мал. 2).

Примітка: - насадки (24, 25) можна приєднувати до рукоятки гнучкого шланга (6).

ВИКОРИСТАННЯ ЩІТОК-НАСАДОК

Щітка UltraClean для підлоги/килимових покриттів

Установіть перемикач (1) на щітці (2) у необхідне положення (залежно від типу поверхні, на якій здійснюється прибирання).

Комбінована щітка/щілинна насадка (24)

Насадка може використовуватися як щітка для усунення пилу або як щілинна насадка, для цього установіть щітку у потрібне положення.

Насадка для чищення меблевої оббивки (25)

Використовуйте насадку (25) для чищення тканинної оббивки м'яких меблів.

ПИЛОЗБІРНИКИ (20, 26)

До комплекту постачання входить багаторазовий тканинний пилозбірник (20) та три паперових одноразових пилозбірників (26). Паперовий пилозбірник (26) одноразовий, при заповненні пилозбірника (26) утилізуйте його.

ВИКОРИСТАННЯ ПИЛОСОСА

Запобіжні заходи

- Не робіть прибирання пилососом у безпосередній близькості від сильно нагрітих поверхонь, наприклад, поряд з попілничками, а також у місцях зберігання легкозаймистих рідин.
- Перед початком прибирання заберіть з підлоги гострі предмети, щоб не допустити пошкодження пристрою.
- Якщо під час прибирання різко знизилася всмоктувальна потужність пилососа, негайно вимкніть його та перевірте телескопічну трубку (4) або гнучкий шланг (7) на предмет засмічення. Вимкніть пилосос та від'єднайте його з електричної мережі, усуньте засмічення, і тільки після цього можна продовжувати прибирання.

ЕКСПЛУАТАЦІЯ

Увага! Вмикати пилосос можна тільки зі встановленим пилозбірником (20 або 26), а також з вхідним (18) та вихідним (22) фільтрами. Обов'язково перевіряйте правильність установлення фільтрів (18, 22).

- Перед початком роботи витягніть мережний шнур на необхідну довжину і вставте мережну вилку в електричну розетку.
- Жовта відмітка на мережному шнурі попереджає про максимальну довжину мережного шнура. Забороняється витягувати мережний шнур далі червоної відмітки.
- Для увімкнення пилососа натисніть на ручку увімкнення/вимкнення (13).
- Під час роботи ви можете регулювати потужність всмоктування повертанням ручки (13), а також за допомогою ручного регулятора потужності всмоктування (5), розташованого на ручці гнучкого шланга (6).
- Після закінчення прибирання у приміщенні натисніть на ручку увімкнення/вимкнення (13) та витягніть вилку мережного шнура з електричної розетки.
- Для змотування мережного шнура (14) натисніть на клавішу змотування мережного шнура (15), притримуйте рукою змотний шнур, щоб уникнути його захльостування та пошкодження.

ЧИЩЕННЯ ТА ДОГЛЯД

- Якщо під час роботи пилососа індикатор заповнення пилозбірника (16) перемкнеться на

УКРАЇНЬСКА

«червоний», необхідно замінити паперовий (26) або очистити тканинний пілозбірник (20).

Примітка: - паперовий пілозбірник (26) одно-разовий, при заповненні пілозбірника (26) утилізуйте його.

- Перш ніж очистити тканинний пілозбірник (20), вимкніть пілосос і витягніть вилку мережного шнура з електричної розетки.
- Відкрийте кришку відсіку пілозбірника (12), натиснувши на фіксатор кришки (10) (мал. 3).
- Вийміть пілозбірник (20) разом з тримачем пілозбірника (19).
- Вийміть пілозбірник (20) з тримача (19) (мал. 3).
- Для очищення тканинного пілозбірника (20) розташуйте його над сміттєвим контейнером та зніміть пластмасовий затискач. У разі необхідності промийте тканинний пілозбірник (20) теплою водою з м'яким мийним засобом та ретельно просушіть, після чого встановіть пластмасовий затискач на місце (мал. 4).
- Установіть пілозбірник (20 або 26) у тримач (19).
- Установіть тримач (19) з встановленим пілозбірником (20 або 26) у місце встановлення (17).
- Закрийте кришку відсіку пілозбірника (12), злегка натисніть на кришку (12) до спрацювання фіксатора (10).

Примітка:

- не намагайтеся закрити кришку (12) без встановленого тримача пілозбірника (19), в іншому випадку ви можете пошкодити систему блокування;
- обов'язково перевіряйте правильність встановлення тримача пілозбірника (19) та самого пілозбірника (20 або 26), перш ніж закрити кришку відсіку пілозбірника (12).

ЧИЩЕННЯ ФІЛЬТРІВ

Наглядайте за чистотою вхідного фільтра (18) та вихідного HEPA-фільтра (22), оскільки від цього залежить ефективність роботи пілососа; робіть чищення фільтрів (18 та 22) не менше трьох-чотирьох разів на рік, а при сильному засміченні – частіше.

Чищення вхідного фільтра (18)

- Вимкніть пілосос та від'єднайте його з електричної мережі.

- Відкрийте кришку відсіку пілозбірника (12), натиснувши на фіксатор кришки (10).
- Вийміть тримач пілозбірника (19) разом з пілозбірником (мал. 3).
- Візьміться за решітку вхідного фільтра (18) та вийміть її, потягнувши у напрямку вгору.
- Вийміть вхідний фільтр з решітки (18), промийте вхідний фільтр теплою водою, ретельно просушіть та установіть на місце.

Примітка: – перед установленням вхідного фільтра переконайтеся в тому, що він чистий та сухий.

- Установіть на місце тримач пілозбірника (19) зі встановленим пілозбірником (20 або 26).
- Закрийте кришку відсіку пілозбірника (12).

Чищення вихідного HEPA-фільтра (22)

- Вимкніть пілосос та від'єднайте його з електричної мережі.
- Зніміть решітку вихідного фільтра (21), натиснувши на фіксатор, витягніть HEPA-фільтр (22).
- Промийте HEPA-фільтр (22) під струменем злегка теплої води. Не використовуйте для промивання фільтрів посудомийну машину.
- Просушіть HEPA-фільтр (22). Забороняється використовувати фен для сушіння HEPA-фільтра (22).
- Установіть HEPA-фільтр (22) на місце.
- Установіть на місце решітку вихідного фільтра (21).

Примітка:

- Перед установленням HEPA-фільтра (22) переконайтеся в тому, що він чистий та сухий.
- Забороняється використовувати фен для сушіння HEPA-фільтра (22).

Корпус пілососа

- Протирайте корпус пілососа злегка вологою м'якою тканиною, після чого витріть досуха.
- Забороняється занурювати корпус пілососа, мережний шнур та вилку мережного шнура у воду або у будь-які інші рідини. Не допускайте потрапляння рідини всередину корпусу пілососа.
- Забороняється використовувати для чищення корпусу пілососа та аксесуарів абразивні очищувальні засоби або будь-які розчинники.

ЗБЕРІГАННЯ

- Перш ніж забрати пілосос на тривале зберігання, зробіть чищення корпусу, пілозбірника (20) та фільтрів (18, 22).

- Для зручності при зберіганні використовуйте місця «паркування» щітки (23) і на нижній частині корпусу пилососа.
- Зберігайте пристрій у місцях, недоступних для дітей та людей з обмеженими можливостями.

КОМПЛЕКТАЦІЯ

Пилосос зі встановленими фільтрами і тканинним пилозбірником – 1 шт.
Гнучкий шланг – 1 шт.
Телескопічна подовжувальна трубка – 1 шт.
Щітка UltraClean для підлоги/килимових покриттів – 1 шт.
Насадки – 2 шт.
Паперовий пилозбірник – 3 шт.
Інструкція – 1 шт.

ТЕХНІЧНІ ХАРАКТЕРИСТИКИ

Електроживлення: 220-240 В ~ 50/60 Гц
Номинальна споживана потужність: 1600 Вт
Максимальна потужність: 2200 Вт
Потужність всмоктування: 400 Вт

УТИЛІЗАЦІЯ



Для захисту навколишнього середовища після закінчення терміну служби пристрою та елементів живлення (якщо входять до комплекту) не викидайте їх разом зі звичайними побутовими відходами, передайте пристрій та елементи живлення у спеціалізовані пункти для подальшої утилізації.

Відходи, що утворюються при утилізації виробів, підлягають обов'язковому збору з подальшою утилізацією установленим порядком.

Для отримання додаткової інформації про утилізацію даного продукту зверніться до місцевого муніципалітету, служби утилізації побутових відходів або до крамниці, де Ви придбали цей продукт.

Виробник зберігає за собою право змінювати дизайн, конструкцію та технічні характеристики, які не впливають на загальні принципи роботи пристрою, без попереднього повідомлення, через що між інструкцією та виробом можуть спостерігатися незначні відмінності. Якщо користувач виявив такі невідповідності, просимо повідомити про це по електронній пошті info@vitek.ru для отримання оновленої версії інструкції.

Термін служби пристрою – 3 роки

Гарантія

Докладні умови гарантії можна отримати в дилера, що продав дану апаратуру. При пред'явленні будь-якої претензії протягом терміну дії даної гарантії варто пред'явити чек або квитанцію про покупку.

CE Даний продукт відповідає вимогам Директиви 2014/30/ЄС щодо електромагнітної сумісності та Директиви 2014/35/ЄС щодо низьковольтного обладнання.

КЫРГЫЗ

ЧАҢ СОРГУЧ VT-8138

Чаң соргуч имараттарды кургак тазалоо үчүн арналган.

СЫПАТТАМА

1. «АСТАНА/КИЛЕМ» режимдердин которгучу
2. UltraClean щеткасы
3. Телескоптук түтүктүн бекитмеси
4. Узарткыч телескоптук түтүгү
5. Соруу кубаттуулугунун кол жөндөгүчү
6. Ийлчээк түтүкчөнүн туткасы
7. Ийлчээк түтүкчө
8. Ийлчээк түтүкчөнүн учу бекитмелери менен
9. Аба алуучу тешик
10. Чаң топтогуч отсектин капкагынын бекитмеси
11. Көтөрүп ташуу үчүн туткасы
12. Чаң топтогуч отсектин капкагы
13. Иштетүү/өчүрүү которгучу/соруу кубаттуулугунун жөндөгүчү
14. Электр шнур
15. Электр шнурун түрүп жыйноочу баскычы
16. Чаң топтогуч толуп калгандын индикатору
17. Чаң топтогучтун кармагынын орнотуу жайы
18. Кирүү чыпкасы менен панжара
19. Чаң топтогучтун кармагычы
20. Пластик кылчууру бар көп жолу пайдалануучу кездеме чаң топтогуч
21. Аба чыгуугу чыпканын панжарасы
22. Аба чыгуучу HEPA-чыпкасы
23. Щетканы «коюу» жайы
24. Бириктирилген щетка/жылчык насадка
25. Эмерек капталын тазалоо насадкасы
26. Бир жолу пайдалануу кагаз чаң топтогучу

КӨҢҮЛ БУРУҢЗДАР!

Кошумча коргонуу үчүн электр тармагында потенциалдуу иштеткен тогу 30 мА ашырбаган коргоп өчүрүүчү аспабын орнотулушу максатка ылайыктуу. Аспапты орнотуу үчүн адиске кайрылыңыз.

КООПСУЗДУК ЧАРАЛАРЫ

Электр шайманды пайдалануудан мурун колдонмону көңүл коюп окуп-үйрөнүңүз, бүткүл кызмат мөөнөтүнө сактап алыңыз.

Шайманды тике дайындоо боюнча гана, ушул колдонмодо жазылганга ылайыктуу колдонуңуз. Шайманды туура эмес пайдалануу анын бузулуусуна, колдонуучуга же колдонуучунун мүлкүнө зыян келтирүүгө алып келиши мүмкүн.

Өрт коркунучун азайтуу үчүн, электр тогу ургандан, жаракат алуудан коргонуу үчүн төмөнкүдөгү колдонмону колдонуңуз.

- Шайманды электр тармагына туташтыргандан мурун шаймандын үстүндө жазылган чыңалуусу электр үйүңүздөгү чыңалуусуна ылайык болгонун текшерип алыңыз.
- Өрт коркунучун жоюу үчүн аспапты электр розеткасына туташтырганда кошуучу түзүлмөлөрдү колдонбоңуз.
- Чаң соргуч электр розеткасына сайылып турганда аны кароосуз таштабаңыз. Чаң соргучту иштетпей турганда, насадкаларын алмаштыруунун алдында же шайманды тейлөөнүн алдында сайгычын милдеттүү түрдө электр розеткасынан чыгарыңыз.
- Электр тогу уруу коркунучун азайтуу үчүн чаң соргучту имараттардын тышында иштетпеңиз, чаң соргучту суу же башка суюктуктарды жыйноо үчүн колдонууга тыюу салынат (чаң соргучту нымдуу беттердин үстүндө колдонбоңуз).
- Чаң соргучту көтөрүп ташуу үчүн туткасынан кармап гана ташысаңыз болот.
- Чаң соргучту электр шнурунан кармап ташыбаңыз, электр шнуру эшик тешигинен тартылган болсо, эшикти жаппаңыз, электр шнурун эмеректин учтуу кырларына же бурчтарына, ысык беттерге тийгизбеңиз.
- Имаратты жыйнап тазалоо убагында чаң соргучту шнурунун үстүнөн тартып жылдырбаңыз, ал бузулуп калуу мүмкүн.
- Кубаттуучу сайгычын электр розеткасынан сурганды шнурду кармап эч качан тартпаңыз, сайгычын кармаңыз.
- Кубаттуучу сайгычын же чаң соргучтун корпусун суу колуңуз менен тийбеңиз.
- Электр шнурун түрүү мезгилинде шнурун колуңуз менен бир аз кармап туруңуз, сайгычы жерге урулганына жол бербейсиз.
- Шаймандын аба чыгуучу тешигин ар кайсы буюмдар менен жабууга тыюу салынат.
- Шаймандын ар кыл тешиги тосулуп турган болсоң шайманды иштетүүгө тыюу салынат.
- Чачыңыз, кийимдердин асылып турган жайлары, бармактар же башка буюмдар чаң соргучтун аба соруучу тешиктин жанында болбогонун байкап туруңуз.
- Тепкич айтчасын жыйнаганда өзгөчө көңүл буруңуздар.

- Чаң соргучту эриткич жана бензин катары бат жалындап кетүүчү суюктуктарды жыйноого, ал суюктуктар сактоо жайында иштетүүгө тыюу салынат.
- Сууну же башка суюктуктарды, күйүп же түтөп турган тамекилерди, күкүрттөрдү, араң кызарып жаткан күлдү жана штукатурка, бетон, ун же күл аркылуу заттардын майда дисперстик чаңын жыйноого тыюу салынат.
- Эгерде:
 - чаң топтогуч орнотулбаган же туура эмес орнотулган болсо;
 - аба кирүүчү же чыгуучу чыпкалары орнотулбаган болсо чаң соргучту колдонбонуз.
- Чаң соргучтун корпусун сууга же ар кыл башка суюктуктарга салбаңыз.
- Жыйынтыгына кирүүчү аксессуарларын жана насадкаларын гана колдонуңуз.
- Чаң соргучту мезгилдүү түрдө тазалап туруңуз.
- Чаң соргучту кургак, салкын жеринде сактаңыз.
- Үй жаныбарларды тазалоо үчүн чаң соргучту колдонбонуз.
- Иштеп турган шаймандын жанында балдар же жөндөмдүүлүгү төмөн болгон адамдар бар болгондо өзгөчө көңүл буруп туруңуз.
- Бул шайман балдар колдонуу үчүн арналган эмес. Шайман иштеп турганда жана тыныгуу убактарында шайманды балдар жетпеген жерине коюңуз.
- Бул шайман дене күчү, сезими же акыл-эси жагынан жөндөмдүүлүгү төмөн (ошонун ичинде балдар да) адамдар же колдонуу боюнча тажрыйбасы же билими жок болгон адамдар, эгерде алардын коопсуздугуна жооптуу адам аларды көзөмөлдөп же инструкциялаган болбосо, колдонуу үчүн ылайыкташтырылбаган.
- Шайманды оюнчук катары колдонбоо үчүн балдарга көз салыңыз.
- Балдардын коопсуздугу үчүн таңгак катары колдонулган полиэтилен баштыктарды кароосуз таштабаңыз.

Көңүл буруңуздар! Полиэтилен баштыктар же таңгак пленкасы менен ойногонго балдарга уруксат бербейиз. **Тумчуктуруунун коркунучу бар!**

- Электр шнурун жана кубаттуучу розеткасынын абалын бузулуулар болбоо үчүн мезгилдүү түрдө текшерип туруңуз.
- Электр шнуру бузук болгондо коопчулуктарга жол бербегени үчүн аны өнүктүрүүчү, тейлөө кызмат же аларга окшогон дасыккан кызматкерлер алмаштырууга тийиш.
- Шайманды өз алдынча оңдогонго тыюу салынат. Шайманды өз алдынча ажыратпай, ар кыл бузулуулар пайда болгон же шайман кулап түшкөн учурларда аны розеткадан суруп, кепилдик талонундагы же www.vitek.ru сайтындагы тизмесине кирген автордоштурулган (ыйгарым укуктуу) тейлөө борборуна кайрылыңыз.
- Шайманды заводдук таңгагында гана транспорттоо зарыл.
- Шайманды балдар жана жөндөмдүүлүгү төмөн болгон адамдар жетпеген жеринде сактаңыз.

АСПАП ТУРАК ЖАЙЛАРДА ТУРМУШ-ТИРИЧИЛИК КОЛДОНУУГА ГАНА АРНАЛГАН, КОММЕРЦИЯЛЫК КОЛДОНУУГА, ӨНӨР ЖАЙ ЗОНАЛАРЫНДА ЖЕ ЖУМУШ ИМАРАТТАРДА КОЛДОНУУГА ТЫЮУ САЛЫНАТ.

ЧАҢ СОРГУЧУН КУРАТЫРУУ

Төмөндөгөн температурада шайманды транспорттоодон же сактоодон кийин аны үч сааттан кем эмес мөөнөткө үй температурасында кармап иштетүү зарыл.

- Шайманды толугу менен таңгактан чыгарып, шаймандын иштөөсүнө тоскоолдук кылган ар кандай чаптамаларды сыйрып алыңыз.
- Шаймандын бүтүндүгүн текшерип алыңыз, бзулуулары бар болсо, шайманды иштетпеңиз.
- Шайманды иштетүүнүн алдында иштөө чыңалуусу электр тармагындагы чыңалуусуна ылайык болгонун текшериниз.
- Түзмөк ылдамдыгы 50 Гц же 60 Гц болгон алмашма ток тармагында иштөөгө арналган, зарыл болгон ылдамдыгында иштегени үчүн эч кошумча жөндөөнүн зарылдыгы жок.

Эскертүү: - насадкасын алмаштыруунун же чаң топтогучун чыгаруунун алдында чаң соргучту өчүрүп, кубаттануучу сайгычын электр розеткасынан чыгарыңыз.

КЫРГЫЗ

Ийкем түтүгүн куратыруу жана ажыратуу

- Ийкем түтүктүн сайгычын (8) аба алуу тешигине (9) сайыңыз.
- Ийкем түтүктү бир аз күч салып, бекиткичтери бекитилгенине чейин сайыңыз.
- Ийкем түтүктү чечүү зарыл болсо бекитмелерин басып, түтүктү ажыратыңыз.

Телескоптук түтүгүн жана насадкаларын орнотуу

- Узарткыч телескоптук түтүгүн (4) ийкем түтүктүн туткасына (6) туташтырыңыз (сүрөт 1).
- Бекитмесин (3) алдын ала басып, телескоптук түтүктүн ылдый жагын керектүү узундугуна чыгарыңыз.
- Керектүү насадканы - жер таман/килем үчүн (2), эмерек капталын тазалоо үчүн (25) же бириктирилген щетка/жылчык насадканы (24) таңдап, аны узарткыч телескоптук түтүгүнө туташтырыңыз (4) (сүрөт 2).

Эскертүү: - насадкаларды (24, 25) ийилчээк түтүкчөнүн туткасына (6) туташтырса болот.

ЩЕТКА-НАСАДКАЛАРДЫ КОЛДОНУУ UltraClean щеткасы (2)

Щеткадагы (2) которгучун (1) керектүү абалына коюңуз (жыйнап турган бетине карата).

Бириктирилген щетка/жылчык насадкасы (24)

Насадка чаң жыйноочу щетка же жылчык насадка катары колдонулат, ал үчүн насадканы керектүү абалына келтириңиз.

Эмерек капталын тазалоо насадкасы (25)

Насадканы (25) жумшак эмеректин кездеме беттерин тазалоо үчүн колдонуңуз.

ЧАҢ ТОПТОГУЧТАРЫ (20, 26)

Топтомуна көп жолу пайдалануучу кездеме чаң топтогуч (20) менен үч бир жолу колдонуучу кагаз чаң топтогучтары (26) кирет. кагаз чаң топтогуч (26) бир жолу колдонулат, чаң топтогуч (26) толуп калганда аны утилизациялаңыз.

ЧАҢ СОРГУЧТУ КОЛДОНУУ

Коопсуздук чаралары

- Өтө ысыган беттердин, мисалы, күл салгычтардын тикеден-тик жакынчылыгында

жана тез жалындап кетүүчү суюктуктар сакталган жеринде чаң соргучу иштетпеңиз.

- Шайманды колдонуудан мурун анын бузулушуна жол бербөө үчүн жерден учтуу заттарды алып салыңыз.
- Шайманды иштетип турган мезгилде соруунун кубаттуулугу тез азайып калса, аны токтоосуз өчүрүп, телескоптук түтүгүнө (4) же ийкем түтүгүнө (7) эч нерсе тыгылып калбаганын текшерип алыңыз. Чаң соргучту өчүрүп, электр тармагынан ажыратып, түтүктөрүн бошотуп, андан кийин гана иштетүүнү улантсаңыз болот.

КОЛДОНУУ

Көңүл буруңуз! Чаң соргучту чаң топтогучу (20 или 26) менен аба алуучу (18) жана чыгаруучу (22) чыпкалары орнотулганда гана иштетсеңиз болот. Чыпкалары (18, 22) туура орнотулганын милдеттүү түрдө текшерип туруңуз.

- Иштетүүнүн алдында электр шнурун керектүү узундугуна тартып чыгарып, кубаттуучу сайгычын электр розеткасына сайыңыз.
- Электр шнурундагы сары белгиси шнурдун максималдуу узундугун белгилейт. Шнурду кызыл белгисинен ары тартууга тыюу салынат.
- Чаң соргучту иштетүү үчүн өчүрүү/күйгүзүү баскычын (13) басыңыз.
- Шайманды иштетип турганда соруу кубаттуулугун жөндөгүчүн (13) бурап, же ийилчээк түтүкчөнүн туткасында (6) жайгашкан соруу кубаттуулугунун кол жөндөгүчү (5) аркылуу жөнгө салсаңыз болот.
- Имаратты тазалап бүткөндөн кийин өчүрүү/күйгүзүү баскычын (13) басып, кубаттуучу сайгычын электр розеткасынан чыгарыңыз.
- Электр шнурун түрүп жыйноо үчүн электр шнурун (15) жыйноо баскычты (14) басып, түрүлүп турган шнуру чалынып бузулбоо үчүн аны колуңуз менен тосуп туруңуз.

ТАЗАЛОО ЖАНА КАРОО

- Чаң соргучту колдонуу мезгилинде чаң топтогуч толуп калгандын индикатору (16) «кызыл» болуп калса, кагаз чаң топтогучту (26) алмаштыруу же кездеме чаң топтогучту (20) тазалоо зарыл.

Эскертүү: - кагаз чаң топтогучу (26) бир колдонмо, чаң топтогуч (26) толуп калганда аны утилизациялаңыз.

- Кездеме чаң соргучту (20) тазалоонун алдында, чаң соргучту өчүрүп, кубаттуучу сайгычын розеткасынан ажыратыңыз.
- Чаң топтогуч отсектин капкактын (12) бекитмесин басып, капкагын ачыңыз (10) (сүрөт 3).
- Чаң топтогучту (20) чаң топтогучтун кармагычы (19) менен чыгарыңыз.
- Чаң топтогучту (20) кармагычынан (19) чыгарыңыз (сүрөт 3).
- Кездеме чаң топтогучту (20) тазалоо үчүн таштанды чакасынын үстүндө кармап, пластик баскычын чечип алыңыз. Керек болсо, кездеме чаң топтогучту (20) жумшак жуучу каражаты менен жылу сууда жууп, жакшылап кургатып, андан кийин пластик баскычын ордуна орнотуңуз (сүрөт 4).
- Чаң топтогучун (20 же 26) кармагычына (19) орнотуңуз.
- Кармагычты (19) орнотулган чаң топтогучу (20 же 26) менен орнотуу жайына (17) орнотуңуз.
- Чаң топтогуч отсекти (12) жабып, капкагын (12) бекитмеси бекитилгенине чейин бир аз басыңыз (10).

Эскертүү:

- чаң топтогучтун кармагычы (19) орнотулбаганда капкакты (12) жабууга аракет кылбаңыз, же бекитүү системасы бузулуу мүмкүн;
- чаң топтогуч отсекти (12) жабуудан мурун чаң топтогучтун кармагычы (19) менен чаң топтогучтун өзү (20 же 26) туура орнотулганын милдеттүү түрдө текшерип.

ЧЫПКАЛАРЫН ТАЗАЛОО

Аба алуучу чыпкасы (18) менен аба чыгаруучу HEPA-чыпкасынын (22), тазалыгын сактаңыз, анткени ал чаң соргучтун эффективдүүлүгүнө байланыштуу; чыпкаларын (18 менен 22) бир жылда үч-төрт жолудан кем эмес, өтө булганса – андан да жышыраак тазалап туруңуз.

Аба алуу чыпкасын тазалоо (18)

- Чаң соргучун өчүрүп, электр тармагынан ажыратыңыз.
- Чаң топтогуч отсектин капкагынын (10) бекитмесин басып, капкакты (12) ачыңыз.
- Чаң топтогучтун кармагычы (19) менен чаң топтогучту чыгарыңыз (сүрөт 3).

- Аба алгыч чыпканын панжарасын (18) өйдө тартып чыгарыңыз.
- Аба алуучу чыпканы панжарадан (18) чыгарып, аба алуучу чыпканы жылуу суу менен жууп, кургатып, ордуна орнотуңуз.

Эскертүү: – аба алуучу чыпканы орнотуунун алдында ал таза жана кургак болгонун текшерип алыңыз.

- Чаң топтогучу (20 же 26) орнотулган чаң топтогучтун кармагычын (19) ордуна коюңуз.
- Чаң топтогуч отсектин капкагын (12) жабыңыз.

Аба чыгаруучу HEPA-чыпкасын (22) тазалоо

- Чаң соргучун өчүрүп, электр тармагынан ажыратыңыз.
- Аба чыгаруучу чыпканын панжарасынын (21) бекитмесин басып, панжараны чечип, HEPA-чыпкасын (22) чыгарыңыз.
- HEPA-чыпкасын (22) бир аз жылуу суунун астында жууп алыңыз. Чыпкаларды жууш үчүн идиш жуучу аспапты колдонбоңуз.
- HEPA-чыпканы (22) кургатып алыңыз. HEPA-чыпканы (22) фен менен кургатууга тыюу салынат.
- HEPA-чыпкасын (22) ордуна коюңуз.
- Аба чыгаруучу чыпканын панжарасын (21) ордуна коюңуз.

Эскертүү:

- HEPA-чыпкасын (22) орнотуунун алдында ал таза жана кургак болгонун текшерип алыңыз.
- HEPA-чыпканы (22) фен менен кургатууга тыюу салынат.

Чаң соргучтун корпусу

- Чаң соргучтун корпусун бир аз нымдуу жумшак чүпүрөк менен сүртүп, кургатып сүртүңүз.
- Чаң соргучтун корпусун, электр шнурун жана шнурунун сайгычын сууга же башка суюктуктарга салууга тыюу салынат. Чаң соргучтун ичине суу куюлганына жол бербениз.
- Чаң соргучтун корпусун тазалоо үчүн эриткичтерди жана абразивдүү тазалоо каражаттарды колдонууга тыюу салынат.

САКТОО

- Чаң соргучту узак убакытка сактоого алып салуудан мурда анын корпусун, чаң топтогучу (20) менен чыпкаларын (18, 22) тазалап алыңыз.

КЫРГЫЗ

- Сактоо убагында ыңгайлуулук үчүн чаң соргуч корпусунун асты жагындагы щеткины «коюу» жайын (23) дагы колдонуңуз.
- Шайманды балдардын жана жөндөмдүүлүгү төмөн болгон адамдардын колу жетпеген жерлерде сактаңыз.

ЖАБДЫКТЫН ЖЫЙЫНТЫГЫ

Кездеме чаң топтогучу менен чыпкалары орнотулган чаң соргуч – 1 даана.

Ийкем түтүгү – 1 даана.

Узарткыч телескоптук түтүгү – 1 даана.

UltraClean щеткисы – 1 даана.

Насадкалар – 2 даана.

Кагаз чаң топтогуч – 3 даана.

Колдонмо – 1 даана.

ТЕХНИКАЛЫК МҮНӨЗДӨМӨСҮ

Кубаттандыруу чыңалуусу: 220-240 В ~ 50/60 Гц

Номиналдуу иштетүү кубаттуулугу: 1600 Вт

Максималдуу кубаттуулугу: 2200 Вт

Соруу кубаттуулугу: 400 Вт

УТИЛИЗАЦИЯЛОО



Айлана чөйрөнү коргоо максатында шайман менен азыктандыруучу элементтердин (эгерде топтомго кирсе) кызмат мөөнөтү бүткөндөн кийин турмуш-тиричилик калдыктары менен бирге таштабаңыз, шайман менен азыктандыруучу элементти андан ары утилизациялоо үчүн адистештирилген пункттарга бериңиз.

Шаймандарды утилизациялоодон пайда болгон калдыктарды милдеттүү түрдө чогултуп, андан соң белгиленген жолунда утилизациялоо зарыл.

Бул шайманды утилизациялоо жөнүндө кошумча маалымат алуу үчүн жергиликтүү өкмөткө, турмуш-тиричилик калдыктарды утилизациялоо кызматына же бул шайманды алган дүкөнгө кайрылыңыз.

Өндүрүүчү шаймандардын жалпы иштөө принциптерине таасир этпеген дизайн, конструкциясын жана техникалык мүнөздөмөлөрүн алдын ала эскертпей өзгөртүү укугун сактайт, ошол себептен колдонмо менен шаймандын маанилүү эмес айырмачылыктар болуу мүмкүн. Колдонуучу ушундай келишпегендиктерди тапса, ал жөнүндө info@vitek.ru электрондук почтасына жазып, шаймандын жаңырланган версиясын алса болот.

Кызмат мөөнөтү – 3 жыл

Кепилдик

Кепилдик берүү шарттары тууралуу толук маалыматтар буюмду саткан сатуучудан алууга болот. Кепилдик шарттарына ылайык талап кылып сатылган товарга чек же дүмүрчөктү көрсөтүү керек.

EAC

GB

A production date of the item is indicated in the serial number on the technical data plate. A serial number is an eleven-unit number, with the first four figures indicating the production date. For example, serial number 0606xxxxxxx means that the item was manufactured in June (the sixth month) 2006.

RUS

Дата производства изделия указана в серийном номере на табличке с техническими данными. Серийный номер представляет собой одиннадцатизначное число, первые четыре цифры которого обозначают дату производства. Например, серийный номер 0606xxxxxxx означает, что изделие было произведено в июне (шестой месяц) 2006 года.

KZ

Бұйымның шығарылған мерзімі техникалық деректері бар кестедегі сериялық нөмірде көрсетілген. Сериялық нөмір он бір саннан тұрады, оның бірінші төрт саны шығару мерзімін білдіреді. Мысалы, сериялық нөмір 0606xxxxxxx болса, бұл бұйым 2006 жылдың маусым айында (алтыншы ай) жасалғанын білдіреді.

UA

Дата виробництва виробу вказана в серійному номері на табличці з технічними даними. Серійний номер представляє собою одинадцятизначне число, перші чотири цифри якого означають дату виробництва. Наприклад, серійний номер 0606xxxxxxx означає, що виріб був виготовлений в червні (шостий місяць) 2006 року.

KG

Буюм иштеп чыгарылган датасы сериялык номурунда техникалык маалыматтар жадыбалында көрсөтүлгөн. Сериялык номуру он бир орундуу сан болот, анын биринчи төрт саны өндүрүш датасын көрсөтөт. Мисалы, сериялык номуру 0606xxxxxxx болгон буюм 2006 жылдын июнинде (алтынчы айында) өндүрүлгөн.



ЗАПРЕЩЕНО УТИЛИЗИРОВАТЬ
С БЫТОВЫМ МУСОРОМ.
ОБРАТИТЕСЬ НА СООТВЕТСТВУЮЩИЙ
ПУНКТ ПЕРЕРАБОТКИ ЭЛЕКТРИЧЕСКОГО
И ЭЛЕКТРОННОГО ОБОРУДОВАНИЯ.