

# AEG

# POWERTOOLS

## BS 14C, BSB 14C

Original instructions

Originalbetriebsanleitung

Notice originale

Istruzioni originali

Manual original

Manual original

Oorspronkelijke  
gebruiksaanwijzing

Original brugsanvisning

Original bruksanvisning

Bruksanvisning i original

Alkuperäiset ohjeet

Πρωτότυπο οδηγιών χρήσης

Orijinal işletme talimatı

Původním návodem k používání

Pôvodný návod na použitie

Instrukcja oryginalna

Eredeti használati utasítás

Izvirna navodila

Originalne pogonske upute

Instrukcijām oriģinālvalodā

Originali instrukcija

Algupärane kasutusjuhend

Оригинальное руководство по  
эксплуатации

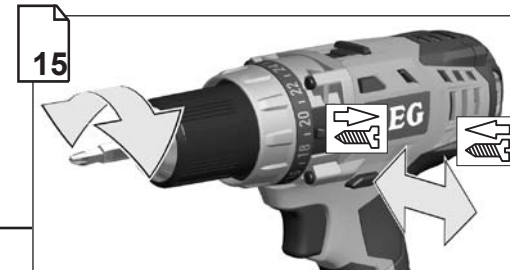
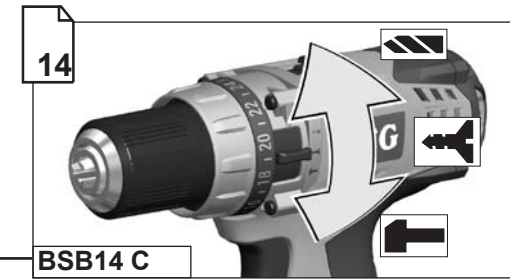
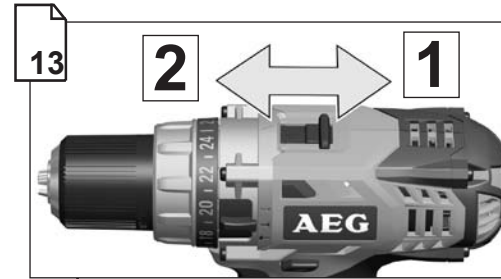
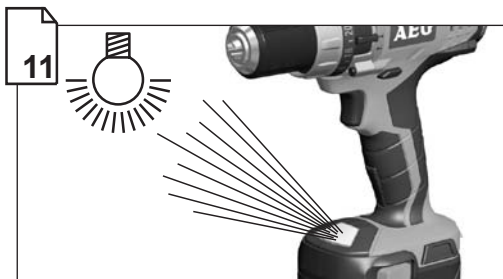
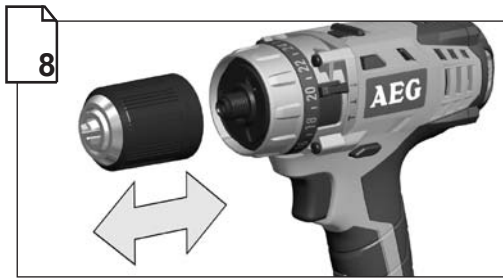
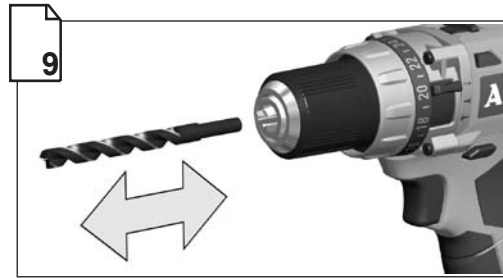
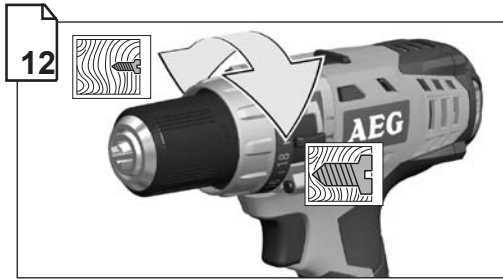
Оригинално ръководство за  
експлоатация

Instrucțiuni de folosire originale

Оригинален прирачник за работа

原始的指南

Technical Data, safety instructions, Specified Conditions of Use, EC-Declaration of Conformity, Batteries, Characteristics, Maintenance,	Please read and save these instructions!	<b>ENGLISH</b>	<b>18</b>
Technische Daten, Sicherheitshinweise, Bestimmungsgemäße Verwendung, CE-Konformitätserklärung, Akkus, Merkmale, Wartung, Symbole	Bitte lesen und aufbewahren!	<b>DEUTSCH</b>	<b>20</b>
Caractéristiques techniques, Instructions de sécurité, Utilisation conforme aux prescriptions, Déclaration CE de Conformité, Accus, Description, Entretien, Symboles	Prière de lire et de conserver!	<b>FRANÇAIS</b>	<b>22</b>
Dati tecnici, Norme di sicurezza, Utilizzo conforme, Dichiarazione di Conformità CE, Batteria, Breve Indicazione, Manutenzione, Simboli	Si prega di leggere le istruzioni e di conservarle!	<b>ITALIANO</b>	<b>24</b>
Datos técnicos, Instrucciones de seguridad, Aplicación de acuerdo a la finalidad, Declaración de Conformidad CE, Batería, Señalización, Mantenimiento, Símbolos	Lea y conserve estas instrucciones por favor!	<b>ESPAÑOL</b>	<b>26</b>
Características técnicas, Instruções de segurança, Utilização autorizada, Declaração de Conformidade CE, Acumulador, Características, Manutenção, Símbolo	Por favor leia e conserve em seu poder!	<b>PORTUGUES</b>	<b>28</b>
Technische gegevens, Veiligheidsadviezen, Voorgeschreven gebruik van het systeem, EC-Konformiteitsverklaring, Akku, Kenmerken, Onderhoud, Symbolen	Lees en let goed op deze adviezen!	<b>NEDERLANDS</b>	<b>30</b>
Tekniske data, Sikkerhedshenvisninger, Tiltænkt formål, CE-Konformitetserklæring, Batteri, Beskrivelse, Vedligeholdelse, Symboler	Vær venlig at læse og opbevare!	<b>DANSK</b>	<b>32</b>
Tekniske data, Spesielle sikkerhetshenvisninger, Formålmessig bruk, CE-Samsvarserklæring, Batterier, Kjennetegn, Vedlikehold, Symboler	Vennligst les og oppbevar!	<b>NORSK</b>	<b>34</b>
Tekniska data, Säkerhetsutrustning, Använd maskinen Enligt anvisningarna, CE-Försäkran, Batterier, Kännemärke, Skötsel, Symboler	Var god läs och tag tillvara dessa instruktioner!	<b>SVENSKA</b>	<b>36</b>
Tekniset arvot, Turvallisuusohjeet, Tarkoituksenmukainen käyttö, Todistus CE-standardin mukaisuudesta, Akku, Ominaisuudet, Huolto, Symbolit	Lue ja säilytä!	<b>SUOMI</b>	<b>38</b>
Τεχνικά στοιχεία, Ειδικά υποδείξεις ασφαλείας, Χρήση σύμφωνα με το σκοπό προορισμού, Δήλωση πιστοποίησης εκ, Μπαταρίες, Χαρακτηριστικά, Συντήρηση, Σύμβολα	Παρακαλώ διαβάστε τις και φυλάξτε τις!	<b>ΕΛΛΗΝΙΚΑ</b>	<b>40</b>
Teknik veriler, Güvenliğinizi için talimatlar, Kullanım, CE uygunluk beyanince, Akü, Ozellikler, Bakım, Semboller	Lütfen okuyun ve saklayın	<b>TÜRKÇE</b>	<b>42</b>
Technická data, Speciální bezpečnostní upozornění, Oblast využití, Ce-prohlášení o shodě, Akumulátory, Upozornění, Údržba, Symboly	Po přečtení uschovejte	<b>ČESKY</b>	<b>44</b>
Technické údaje, Speciálne bezpečnostné pokyny, Použitie podľa predpisov, CE-Vyhlasenie konformity, Akumulátory, Znaky, Údržba, Symboly	Prosím prečítať a uschovať!	<b>SLOVENSKY</b>	<b>46</b>
Dane techniczne, Specjalne zalecenia dotyczace bezpieczerstwa, Uzytkowanie zgodnie z przeznaczeniem, Swiadectwo zgodnosci ce, Bateria akumulatorowe, Wlasnosci, Gwarancja, Symbole	Prosimy o uwazne przeczytanie i przestrzeganie zalecen zamie szczonych w tej instrukcji.	<b>POLSKI</b>	<b>48</b>
Műszaki adatok, Különleges biztonsági tudnivalók, Rendeltetésszerű használat, Ce-azonossági nyilatkozat, Akkuk, Jellegzetességek, Karbantartás, Szimbólumok	Olvassa el és őrizze meg	<b>MAGYAR</b>	<b>50</b>
Tehnični podatki, Specialni varnostni napotki, Uporaba v skladu z namembnostjo, Ce-izjava o konformnosti, Akumulatorji, Značilnosti, Vzdrževanje, Simboli	Prosimo preberite in shranite!	<b>SLOVENSKO</b>	<b>52</b>
Tehnički podaci, Specijalne sigurnosne upute, Propisna upotreba, CE-Izjava konformnosti, Baterije, Obilježja, Održavanje, Simboli	Molimo pročitati i sačuvati	<b>HRVATSKI</b>	<b>54</b>
Tehniskie dati, Speciālie drošības noteikumi, Noteikumiem atbilstošs izmantojums, Atbilstība CE normām, Akumulātori, Pazīmes, Apkope, Simboli	Pielikums lietošanas pamācībai	<b>LATVISKI</b>	<b>56</b>
Techniniai duomenys, Ypatingos saugumo nuorodos, Naudojimas pagal paskirtį, CE Atitikties pareiškimas, Akumulatoriai, Požymiai, Techninis aptarnavimas, Simboliai	Prašome perskaityti ir neišmesti!	<b>LIETUVIŠKAI</b>	<b>58</b>
Tehnilised andmed, Spetsiaalsed turvajuhised, Kasutamise vastavalt otstarbele, EÜ Vastavusavaldus, Akud, Tunnused, Hooldus, Sümbolid	Palun lugege läbi ja hoidke alal!	<b>EESTI</b>	<b>60</b>
Технические данные, Рекомендации по технике безопасности, Использование, Аккумулятор, Характеристики, Обслуживание, Символы	Пожалуйста, прочтите и сохраните настоящую инструкцию	<b>РУССКИЙ</b>	<b>62</b>
Технически данни, Специални указания за безопасност, Използване по предназначение, CE-Декларация за съответствие, Аккумулятори, Характеристики, Поддръжка, Символи	Моля прочетете и запазете!	<b>БЪЛГАРСКИ</b>	<b>64</b>
Date tehnice, Instrucțiuni de securitate, Condiții de utilizare specificate, Declarație de conformitate, Alimentare de la rețea, Caracteristici, Intreținere, Simboluri	Va rugăm citiți și păstrați aceste instrucțiuni	<b>ROMÂNIA</b>	<b>66</b>
Технички Податоци, Упатство За Употреба, Специфицирани Услови На Употреба, Еу-декларација За Сообразност, Батерии, Карактеристики, Одржување, Символи	Ве молиме прочитајте го и чувајте го ова упатство!	<b>МАКЕДОНСКИ</b>	<b>68</b>
技术数据, 特殊安全指示, 正确地使用机器, 欧洲安全规定说明, 蓄电池, 特点, 维修, 符号	请仔细阅读并妥善保存!	<b>中文</b>	<b>70</b>



Remove the battery pack before starting any work on the machine.  
Vor allen Arbeiten an der Maschine den Wechselakku herausnehmen  
Avant tous travaux sur la machine retirer l'accum interchangeable.  
Prima di iniziare togliere la batteria dalla macchina.  
Retire la batería antes de comenzar cualquier trabajo en la máquina.  
Antes de efectuar cualquier intervención en la máquina retirar o bilcoo acumulador.  
Voor alle werkzaamheden aan de machine de akku verwijderen.  
Ved arbejde inden i maskinen, bør batteriet tages ud.  
Ta ut vekselbatteriet før du arbeider på maskinen

Drag ur batteripaket innan arbete utföres på maskinen.  
Ota akku pois ennen kaikkia koneeseen tehtäviä toimenpiteitä.  
Πρω από κάθε εργασία στη μηχανή αφαιρέστε την αναλλαστάκιου μπαταρία.  
Aletin kendingde bir çalışma yapmadan önce kartuş aküyü çıkarın.  
Pred zahájením veškerých prac na vrtacím šroubováku vyjmout výměnný akumulátor.  
Pred každou pracou na stroji výměnný akumulátor vyťahnúť.  
Przed przystąpieniem do jakichkolwiek prac na elektronarzędziu należy wyjąć wkładkę akumulatorową.  
Karbantartás, javítás, tisztítás, stb. előtt az akkumulátort ki kell venni a készülőkből.  
Pred deli na stroju izvečite izmenljivi akumulator.  
Prije svih radova na stroju izvaditi bateriju za zamjenu.

Prims mašinali veikt jebkāda veida apkopes darbus, ir jāizņem āra akumulators.  
Prieš atikdami bet kokius darbus jringinyje, išimkite keičiamą akumuliatorių.  
Enne kõiki töid masina kallal võtke vahetatav akku välja.  
Выньте аккумулятор из машины перед проведением с ней каких-либо манипуляций.  
Преди започване на каквото е да работи по машината извадете акумулатора.  
İnderpártaj akumulátorul înainte de începerea lucrului pe mașina  
Отстранете ја батеријата пред да започнете да ја користите машината.  
在机器上进行任何维护工作之前，先拿出蓄电池。

4



Remove the battery pack before starting any work on the machine.  
Vor allen Arbeiten an der Maschine den Wechselakku herausnehmen

Avant tous travaux sur la machine retirer l'accu interchangeable.

Prima di iniziare togliere la batteria dalla macchina.

Retire la batería antes de comenzar cualquier trabajo en la máquina.

Antes de efectuar cualquier intervención na máquina retirar o bloco acumulador.

Voor alle werkzaamheden aan de machine de akku verwijderen.

Ved arbejde inden i maskinen, bør batteriet tages ud.

Ta ut vekselbatteriet før du arbeider på maskinen

Drag ur batteripaket innan arbete utföres på maskinen.

Ota akku pois ennen kaikkia koneeseen tehtäviä toimenpiteitä.

Πριν από κάθε εργασία στη μηχανή αφαιρείτε την ανταλλακτική μπαταρία.

Aletin kendinge bir çalışma yapmadan önce kartuş aküyü çıkarın.

Před zahájením veškerých prací na vrtacím šroubováků vyjmout výměnný akumulátor.

Przed każdą pracou na stroju wyciągnąć akumulátor wyjąć.

Przed przystąpieniem do jakichkolwiek prac na elektronarzędziu należy wyjąć wkładkę akumulatorem.

Karbantartás, javítás, tisztítás, stb. előtt az akkumulátort ki kell venni a készülékből.

Pred deli na stroju izvelcite izmenljivi akumulator.

Prije svih radova na stroju izvaditi bateriju za zamjenu.

Pirms mašīnai veikt jebkāda veida apkopes darbus, ir jāizņem ārā akumulātors.

Prieš atlikdami bet kokius darbus įrenginyje, išimkite keičiamą akumuliatorių.

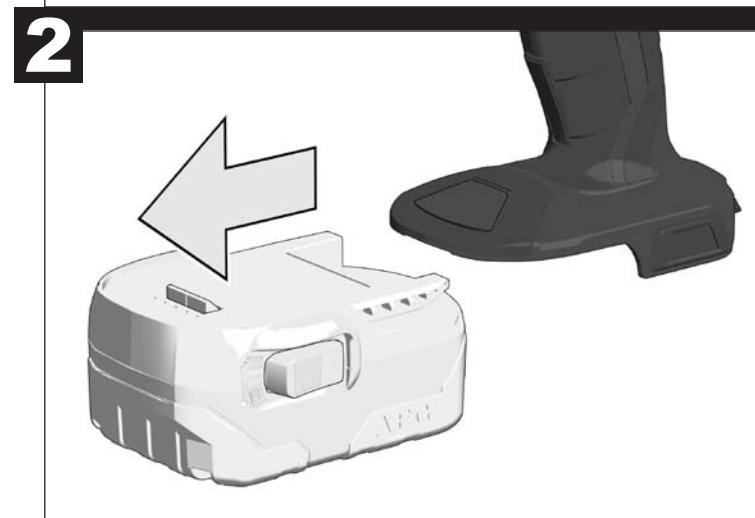
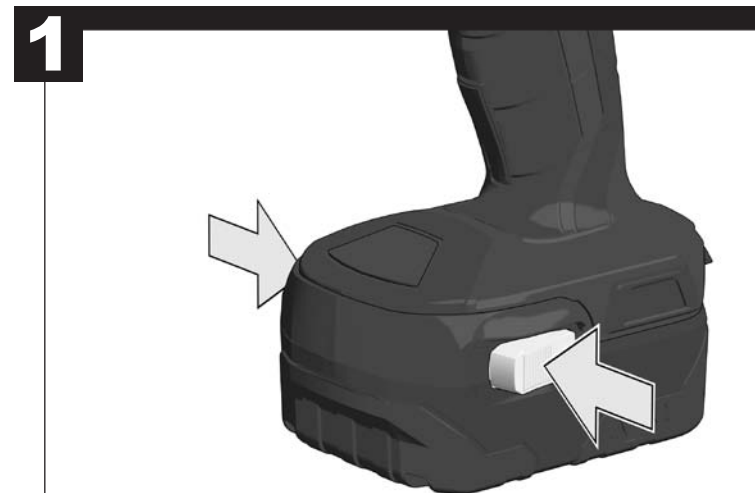
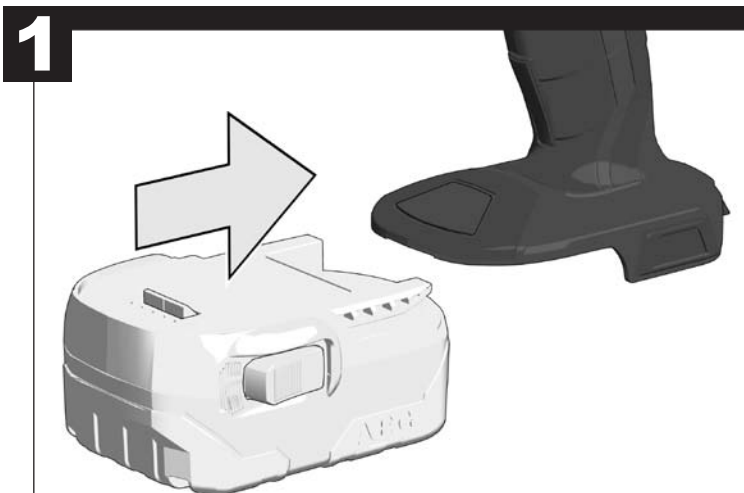
Enne kõiki töid masina kallal võtke vahetatav aku välja.

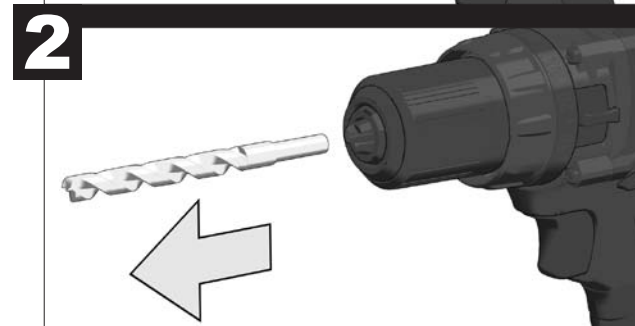
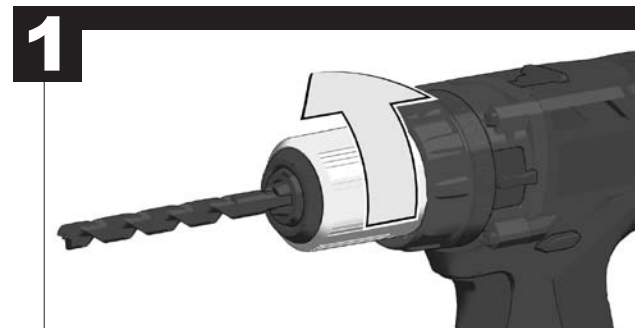
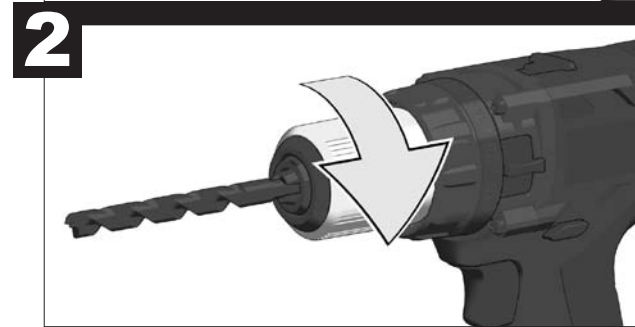
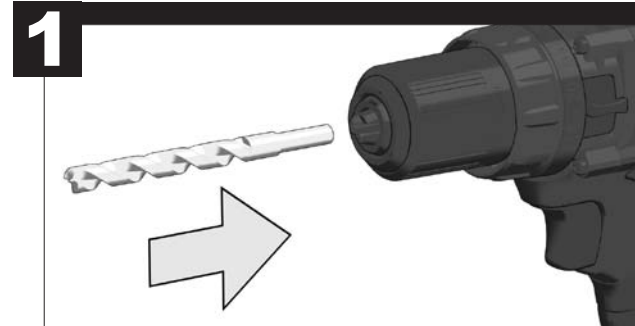
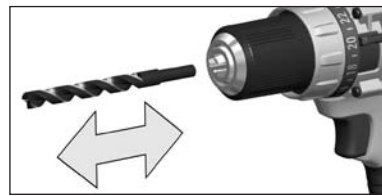
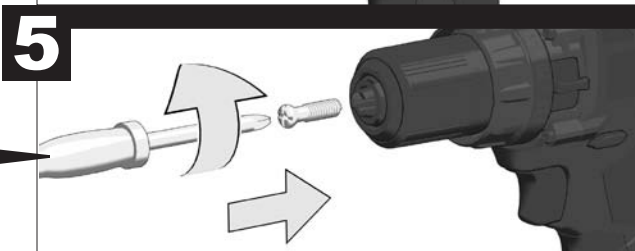
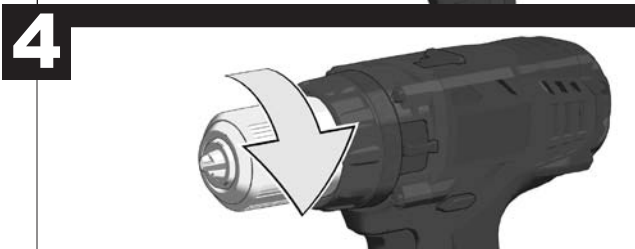
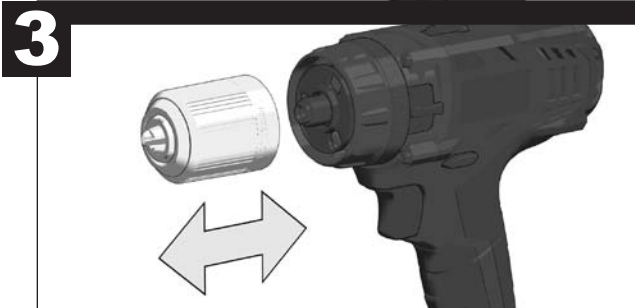
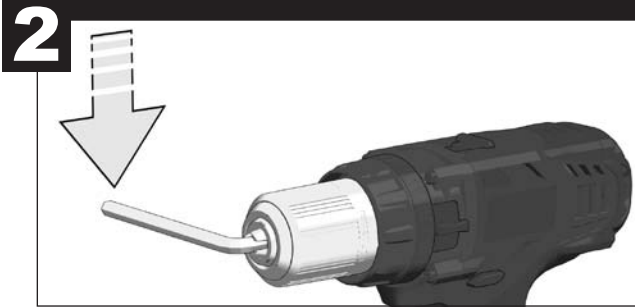
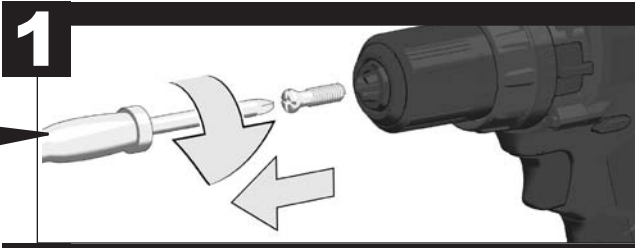
Выньте аккумулятор из машины перед проведением с ней каких-либо манипуляций.

Преди започване на каквито е да е работи по машината извадете акумулатора. Scoateți acumulatorul înainte de a începe orice intervenție pe mașină.

Отстранете ја батеријата пред да започнете да ја користите машината.

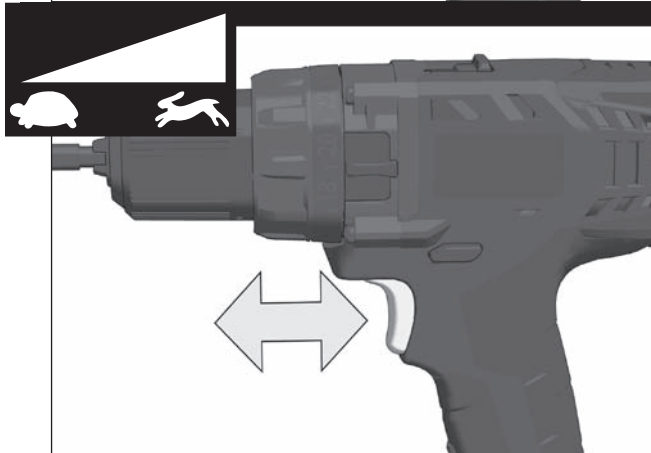
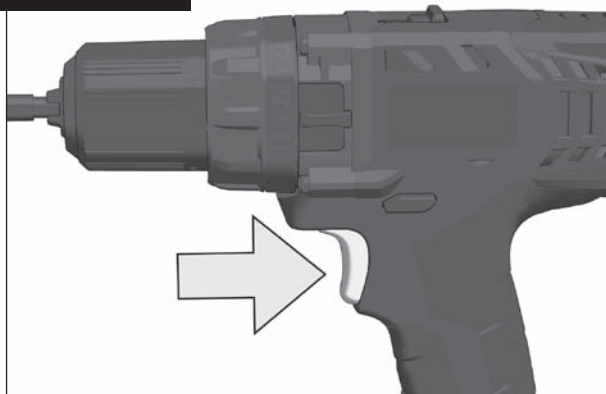
在机器上进行任何维护工作之前，先拿出蓄电池。



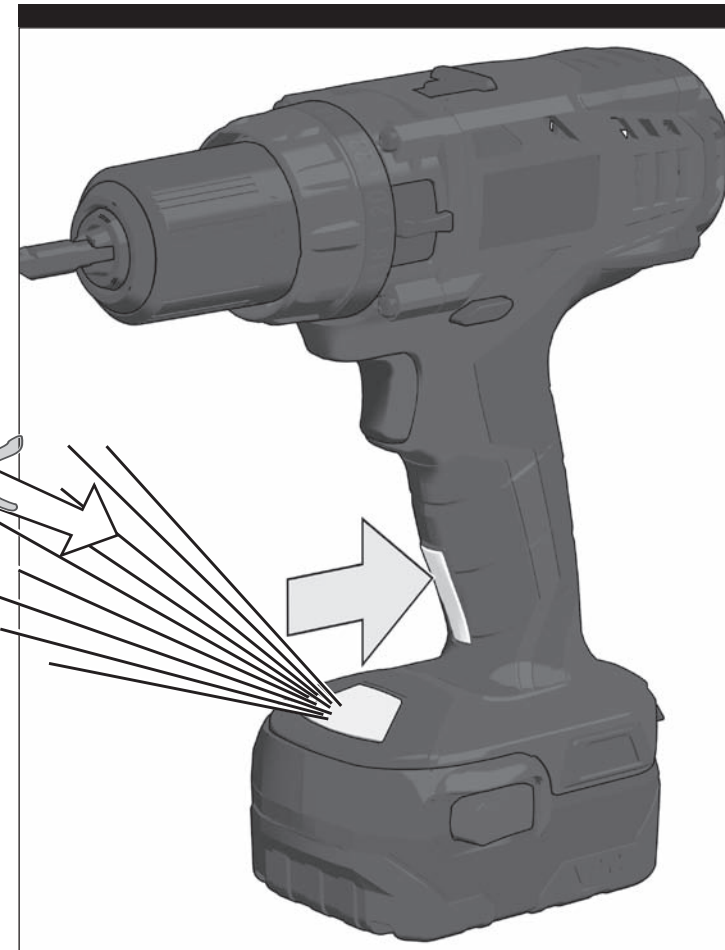
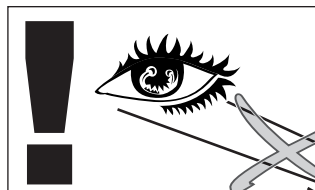
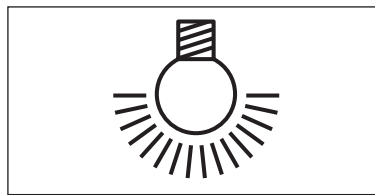
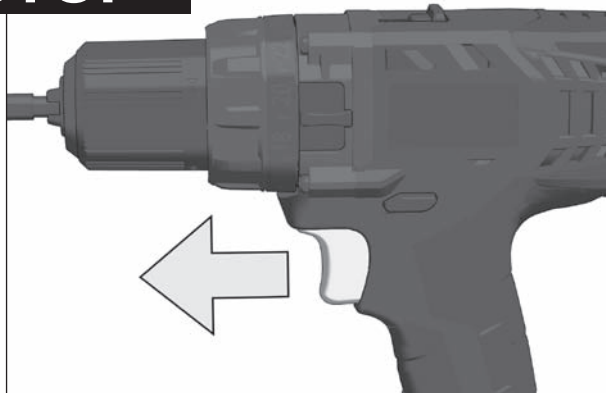


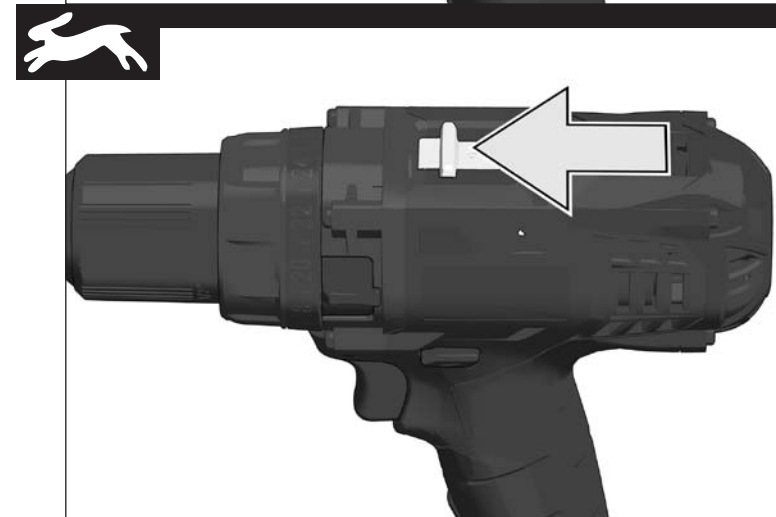
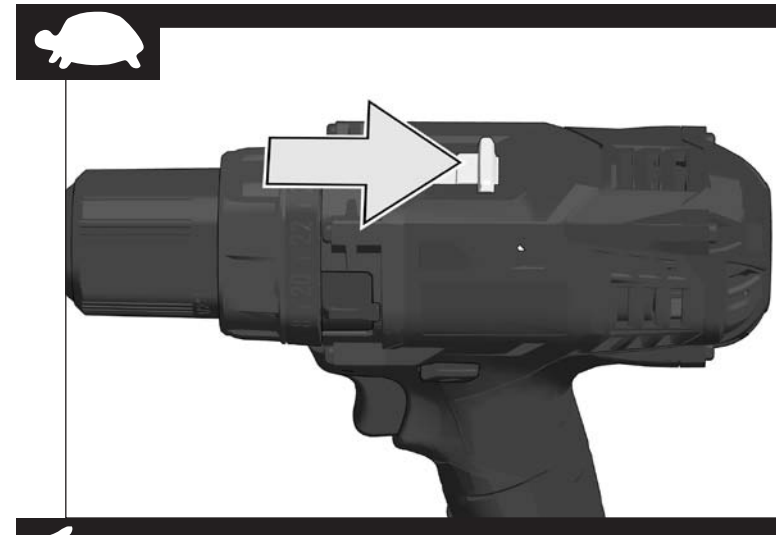
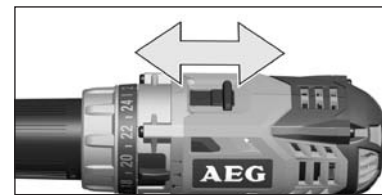
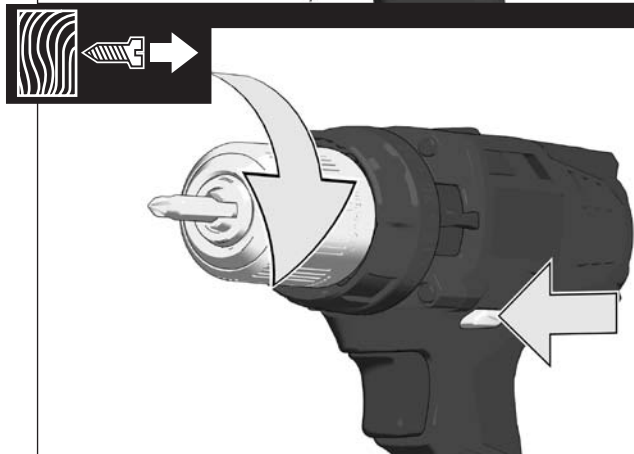
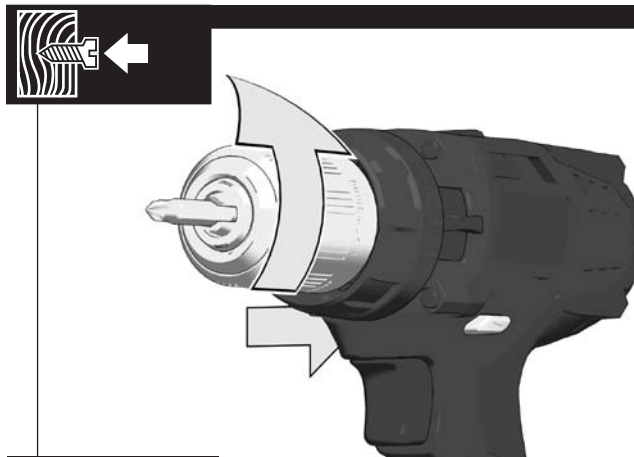


**START**

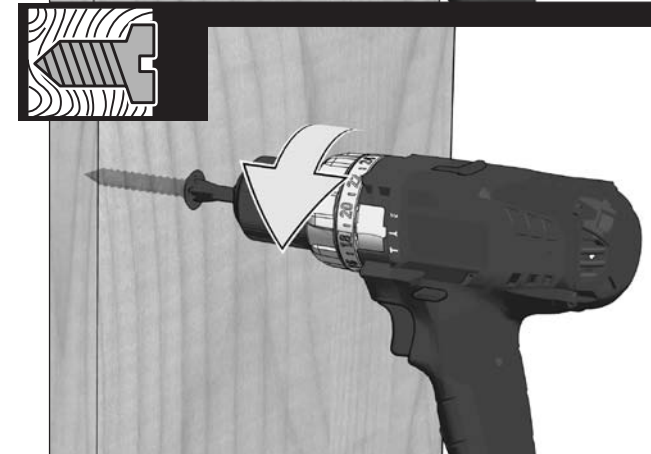
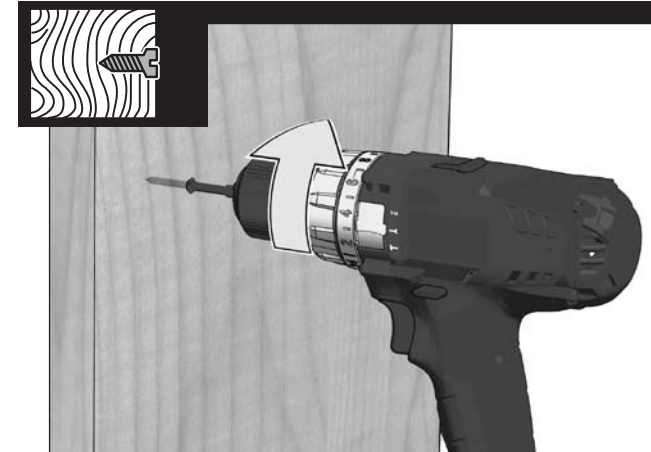
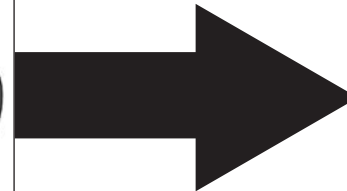
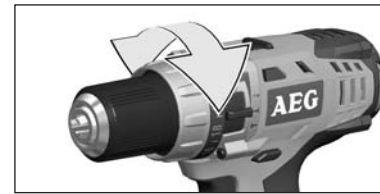
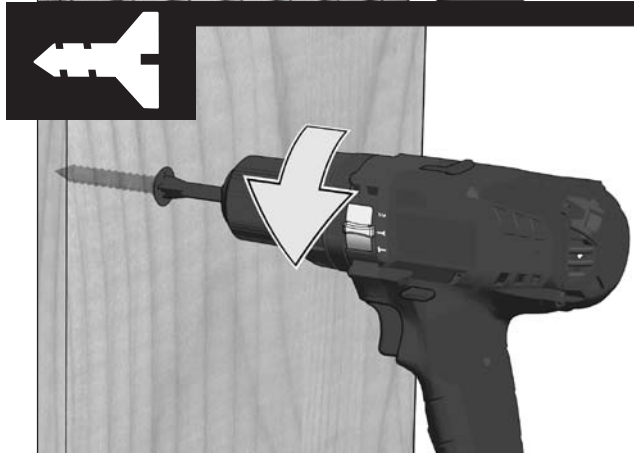
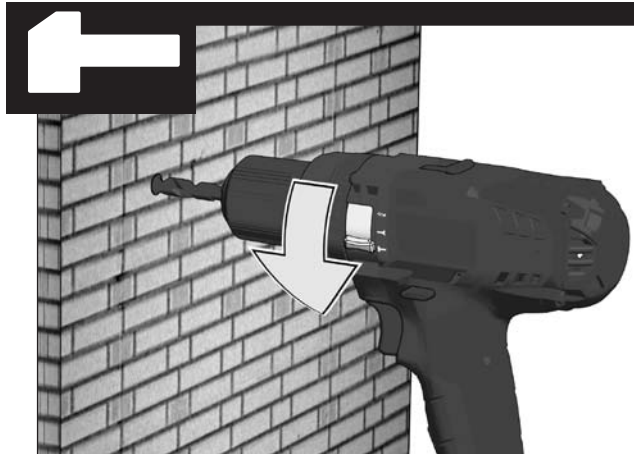
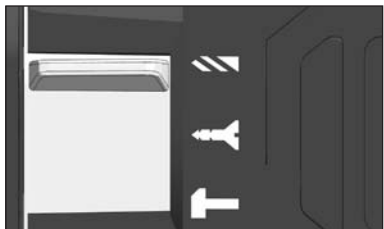
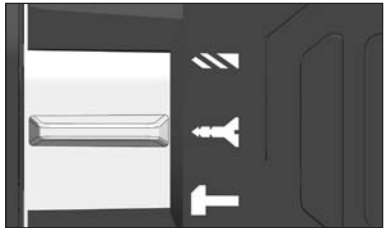
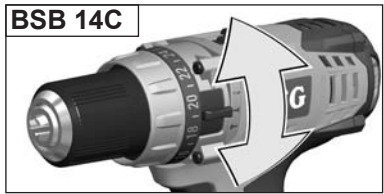


**STOP**

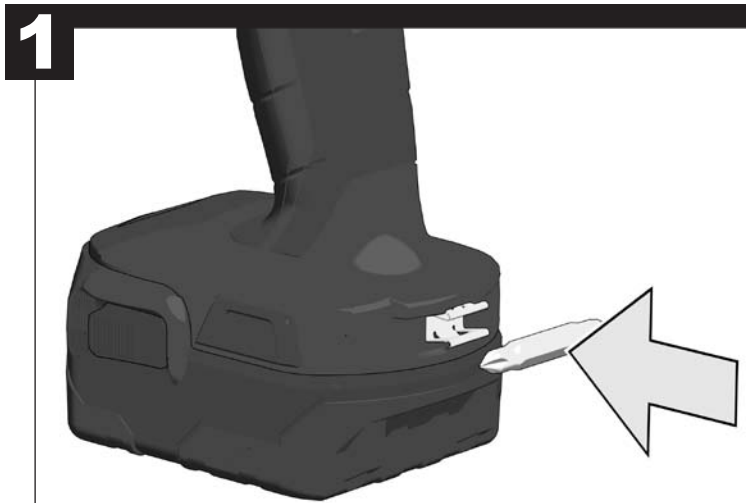




BSB 14C







**TECHNICAL DATA**      **Cordless percussion drill/driver**      **BS 14C**      **BSB 14C**

Drilling capacity in steel.....	13 mm	13 mm
Drilling capacity in wood.....	45 mm	45 mm
Drilling capacity in brick and tile.....	14 mm	14 mm
Wood screws (without pre-drilling).....	8 mm	8 mm
No-load speed 1st gear.....	0-400 min <sup>-1</sup>	0-400 min <sup>-1</sup>
No-load speed 2nd gear.....	0-1500 min <sup>-1</sup>	0-1500 min <sup>-1</sup>
Rate of percussion under load max.....	-	19500 min <sup>-1</sup>
Torque with battery (1.5 Ah) *1.....	43 Nm	43 Nm
Torque with battery (3.0 Ah) *1.....	47 Nm	47 Nm
Battery voltage.....	14,4 V	14,4 V
Drill chuck range.....	1,5-13 mm	1,5-13 mm
Weight according EPTA-Procedure 01/2003 (1.5 Ah).....	1,7 kg	1,78 kg
Weight according EPTA-Procedure 01/2003 (3.0 Ah).....	1,9 kg	1,98 kg

**Noise/vibration information**

Measured values determined according to EN 60 745.

Typically, the A-weighted noise levels of the tool are:

Sound pressure level (K= 3 dB(A)).....	87,5 dB (A)	87,5 dB (A)
Sound power level (K= 3 dB(A)).....	98,5 dB (A)	98,5 dB (A)

**Wear ear protectors!**

Total vibration values (vector sum in the three axes) determined according to EN 60745.

Vibration emission value a <sub>h</sub>		
Impact drilling into concrete.....	- m/s <sup>2</sup>	10,6 m/s <sup>2</sup>
Uncertainty K=.....	- m/s <sup>2</sup>	1,5 m/s <sup>2</sup>
Drilling into metal.....	< 2,5 m/s <sup>2</sup>	< 2,5 m/s <sup>2</sup>
Uncertainty K=.....	1,5 m/s <sup>2</sup>	1,5 m/s <sup>2</sup>
Screwing.....	< 2,5 m/s <sup>2</sup>	< 2,5 m/s <sup>2</sup>
Uncertainty K=.....	1,5 m/s <sup>2</sup>	1,5 m/s <sup>2</sup>

\*1 Measured according to AEG Standard N 877318

**WARNING**

The vibration emission level given in this information sheet has been measured in accordance with a standardised test given in EN 60745 and may be used to compare one tool with another. It may be used for a preliminary assessment of exposure.

The declared vibration emission level represents the main applications of the tool. However if the tool is used for different applications, with different accessories or poorly maintained, the vibration emission may differ. This may significantly increase the exposure level over the total working period.

An estimation of the level of exposure to vibration should also take into account the times when the tool is switched off or when it is running but not actually doing the job. This may significantly reduce the exposure level over the total working period.

Identify additional safety measures to protect the operator from the effects of vibration such as: maintain the tool and the accessories, keep the hands warm, organisation of work patterns.

**⚠ WARNING! Read all safety warnings and all instructions, including those given in the accompanying brochure.** Failure to follow the warnings and instructions may result in electric shock, fire and/or serious injury. **Save all warnings and instructions for future reference.**

**SAFETY INSTRUCTIONS**

**Wear ear protectors when impact drilling.** Exposure to noise can cause hearing loss.

**Use auxiliary handle(s), if supplied with the tool.** Loss of control can cause personal injury.

**Hold power tool by insulated gripping surfaces, when performing an operation where the cutting accessory may contact hidden wiring.** Cutting accessory contacting a live wire may make exposed metal parts of the power tool live and could give the operator an electric shock.

**Hold power tool by insulated gripping surfaces, when performing an operation where the fastener may contact hidden wiring.** Fasteners contacting a live wire may make exposed metal parts of the power tool live and could give the operator an electric shock.

Sawdust and splinters must not be removed while the machine is running.

When working in walls ceiling, or floor, take care to avoid electric cables and gas or waterpipes.

Remove the battery pack before starting any work on the machine.

Do not dispose of used battery packs in the household refuse or by burning them. AEG Distributors offer to retrieve old batteries to protect our environment.

Do not store the battery pack together with metal objects (short circuit risk).

Use only System GBS chargers for charging System GBS battery packs. Do not use battery packs from other systems.

Battery acid may leak from damaged batteries under extreme load or extreme temperatures. In case of contact with battery acid wash it off immediately with soap and water. In case of eye contact rinse thoroughly for at least 10 minutes and immediately seek medical attention.

**SPECIFIED CONDITIONS OF USE**

The electronic battery percussion drill/screwdriver is intended to be used for drilling, percussion drilling, as well as screwdriving for independent use away from mains supply.

Do not use this product in any other way as stated for normal use.

**EC-DECLARATION OF CONFORMITY**

We declare under our sole responsibility that this product is in conformity with the following standards or standardized documents. EN 60745, EN 55014-1, EN 55014-2, in accordance with the regulations 2006/42/EC, 2004/108/EC



Winnenden, 2011-07-07

*Rainer Kumpf*

Rainer Kumpf  
Manager Product Development

Authorized to compile the technical file

**BATTERIES**

New battery packs reach full loading capacity after 4 - 5 chargings and dischargings. Battery packs which have not been used for some time should be recharged before use.

Temperatures in excess of 50°C (122°F) reduce the performance of the battery pack. Avoid extended exposure to heat or sunshine (risk of overheating).

The contacts of chargers and battery packs must be kept clean.

For an optimum life-time, the battery packs have to be fully charged, after used.

To obtain the longest possible battery life remove the battery pack from the charger once it is fully charged.

For battery pack storage longer than 30 days:  
Store the battery pack where the temperature is below 27°C and away from moisture  
Store the battery packs in a 30% - 50% charged condition  
Every six months of storage, charge the pack as normal.

**BATTERY PACK PROTECTION LI-ION BATTERY**

The battery pack has overload protection that protects it from being overloaded and helps to ensure long life. Under extreme stress the battery electronics switch off the machine automatically. To restart, switch the machine off and then on again. If the machine does not start up again, the battery pack may have discharged completely. In this case it must be recharged in the battery charger.

**INTENANCE**

Use only AEG accessories and spare parts. Should components need to be replaced which have not been described, please contact one of our AEG service agents (see our list of guarantee/service addresses).

If needed, an exploded view of the tool can be ordered. Please state the Article No. as well as the machine type printed on the label and order the drawing at your local service agents or directly at: AEG Electric Tools GmbH, Max-Eyth-Straße 10, D-71364 Winnenden, Germany.

**SYMBOLS**



Please read the instructions carefully before starting the machine.



Remove the battery pack before starting any work on the machine.



Do not dispose of electric tools together with household waste material! In observance of European Directive 2002/96/EC on waste electrical and electronic equipment and its implementation in accordance with national law, electric tools that have reached the end of their life must be collected separately and returned to an environmentally compatible recycling facility.

**TECHNISCHE DATEN**      **Akku-Schlagbohrschrauber**      **BS 14C**      **BSB 14C**

Bohr-Ø in Stahl.....	13 mm	13 mm
Bohr-Ø in Holz.....	45 mm	45 mm
Bohr-Ø in Ziegel und Kalksandstein.....	14 mm	14 mm
Holzschrauben.....	8 mm	8 mm
Leerlaufdrehzahl 1.Gang.....	0-400 min <sup>-1</sup>	0-400 min <sup>-1</sup>
Leerlaufdrehzahl 2.Gang.....	0-1500 min <sup>-1</sup>	0-1500 min <sup>-1</sup>
Lastschlagzahl max.....	-	19500 min <sup>-1</sup>
Drehmoment mit Wechselakku (1,5 Ah) *1.....	43 Nm	43 Nm
Drehmoment mit Wechselakku (3,0 Ah) *1.....	47 Nm	47 Nm
Spannung Wechselakku.....	14,4 V	14,4 V
Bohrfutterspannereich.....	1,5-13 mm	1,5-13 mm
Gewicht nach EPTA-Prozedur 01/2003 (1,5 Ah).....	1,7 kg	1,78 kg
Gewicht nach EPTA-Prozedur 01/2003 (3,0 Ah).....	1,9 kg	1,98 kg

**Geräusch/Vibrationsinformation**

Messwerte ermittelt entsprechend EN 60 745.  
Der A-bewertete Geräuschpegel des Gerätes beträgt typischerweise:

Schalldruckpegel (K = 3 dB(A)).....	87,5 dB (A)	87,5 dB (A)
Schalleistungspegel (K = 3 dB(A)).....	98,5 dB (A)	98,5 dB (A)

**Gehörschutz tragen!**

Schwingungsgesamtwerte (Vektorsumme dreier Richtungen) ermittelt entsprechend EN 60745.

Schwingungsemissionswert a <sub>w</sub>		
Schlagbohren in Beton.....	- m/s <sup>2</sup>	10,6 m/s <sup>2</sup>
Unsicherheit K = .....	- m/s <sup>2</sup>	1,5 m/s <sup>2</sup>
Bohren in Metall.....	< 2,5 m/s <sup>2</sup>	< 2,5 m/s <sup>2</sup>
Unsicherheit K = .....	1,5 m/s <sup>2</sup>	1,5 m/s <sup>2</sup>
Schrauben.....	< 2,5 m/s <sup>2</sup>	< 2,5 m/s <sup>2</sup>
Unsicherheit K = .....	1,5 m/s <sup>2</sup>	1,5 m/s <sup>2</sup>

\*1 Gemessen nach AEG Standard N 877318

**WARNUNG**

Der in diesen Anweisungen angegebene Schwingungspegel ist entsprechend einem in EN 60745 genormten Messverfahren gemessen worden und kann für den Vergleich von Elektrowerkzeugen miteinander verwendet werden. Er eignet sich auch für eine vorläufige Einschätzung der Schwingungsbelastung.

Der angegebene Schwingungspegel repräsentiert die hauptsächlichen Anwendungen des Elektrowerkzeugs. Wenn allerdings das Elektrowerkzeug für andere Anwendungen, mit abweichenden Einsatzwerkzeugen oder ungenügender Wartung eingesetzt wird, kann der Schwingungspegel abweichen. Dies kann die Schwingungsbelastung über den gesamten Arbeitszeitraum deutlich erhöhen.

Für eine genaue Abschätzung der Schwingungsbelastung sollten auch die Zeiten berücksichtigt werden, in denen das Gerät abgeschaltet ist oder zwar läuft, aber nicht tatsächlich im Einsatz ist. Dies kann die Schwingungsbelastung über den gesamten Arbeitszeitraum deutlich reduzieren.

Legen Sie zusätzliche Sicherheitsmaßnahmen zum Schutz des Bedieners vor der Wirkung von Schwingungen fest wie zum Beispiel: Wartung von Elektrowerkzeug und Einsatzwerkzeugen, Warmhalten der Hände, Organisation der Arbeitsabläufe.

**⚠ WARNUNG! Lesen Sie alle Sicherheitshinweise und Anweisungen, auch die in der beiliegenden Broschüre.** Versäumnisse bei der Einhaltung der Sicherheitshinweise und Anweisungen können elektrischen Schlag, Brand und/oder schwere Verletzungen verursachen. **Bewahren Sie alle Sicherheitshinweise und Anweisungen für die Zukunft auf.**

**SPEZIELLE SICHERHEITSHINWEISE**

**Tragen Sie Gehörschutz beim Schlagbohren.** Die Einwirkung von Lärm kann Hörverlust bewirken.

**Benutzen Sie die mit dem Gerät gelieferten Zusatzhandgriffe.** Der Verlust der Kontrolle kann zu Verletzungen führen.

**Halten Sie das Gerät an den isolierten Griffflächen, wenn Sie Arbeiten ausführen, bei denen das Einsatzwerkzeug verborgene Stromleitungen treffen kann.** Der Kontakt des Schneidwerkzeugs mit einer spannungsführenden Leitung kann metallene Geräteteile unter Spannung setzen und zu einem elektrischen Schlag führen.

**Halten Sie das Gerät an den isolierten Griffflächen, wenn Sie Arbeiten ausführen, bei denen die Schraube verborgene Stromleitungen treffen kann.** Der Kontakt der Schraube mit einer spannungsführenden Leitung kann

metallene Geräteteile unter Spannung setzen und zu einem elektrischen Schlag führen.

Späne oder Splitter dürfen bei laufender Maschine nicht entfernt werden.

Beim Arbeiten in Wand, Decke oder Fußboden auf elektrische Kabel, Gas- und Wasserleitungen achten.

Vor allen Arbeiten an der Maschine den Wechselakku herausnehmen

Verbrauchte Wechselakkus nicht ins Feuer oder in den Hausmüll werfen. AEG bietet eine umweltgerechte Alt-Wechselakku-Entsorgung an; bitte fragen Sie Ihren Fachhändler.

Wechselakkus nicht zusammen mit Metallgegenständen aufbewahren (Kurzschlussgefahr).

Wechselakkus des Systems GBS nur mit Ladegeräten des Systems GBS laden. Keine Akkus aus anderen Systemen laden.

Unter extremer Belastung oder extremer Temperatur kann aus beschädigten Wechselakkus Batterieflüssigkeit auslaufen. Bei Berührung mit Batterieflüssigkeit sofort mit Wasser und Seife abwaschen. Bei Augenkontakt sofort mindestens 10 Minuten gründlich spülen und unverzüglich einen Arzt aufsuchen.

**BESTIMMUNGSGEMÄßE VERWENDUNG**

Der Akku-Elektronik-Schlagbohrschrauber ist universell einsetzbar zum Bohren, Schlagbohren und Schrauben unabhängig von einem Netzanschluss.

Dieses Gerät darf nur wie angegeben bestimmungsgemäß verwendet werden.

**CE-KONFORMITÄTSERKLÄRUNG**

Wir erklären in alleiniger Verantwortung, dass dieses Produkt mit den folgenden Normen oder normativen Dokumenten übereinstimmt: EN 60745, EN 55014-1, EN 55014-2, gemäß den Bestimmungen der Richtlinien 2006/42/EG, 2004/108/EG



Winnenden, 2011-07-07

*Rainer Kumpf*

Rainer Kumpf  
Manager Product Development

Bevollmächtigt die technischen Unterlagen zusammenzustellen

**AKKUS**

Neue Wechselakkus erreichen ihre volle Kapazität nach 4-5 Lade- und Entladezyklen. Längere Zeit nicht benutzte Wechselakkus vor Gebrauch nachladen.

Eine Temperatur über 50°C vermindert die Leistung des Wechselakkus. Längere Erwärmung durch Sonne oder Heizung vermeiden.

Die Anschlusskontakte an Ladegerät und Wechselakku sauber halten.

Für eine optimale Lebensdauer müssen nach dem Gebrauch die Akkus voll geladen werden.

Für eine möglichst lange Lebensdauer sollten die Akkus nach dem Aufladen aus dem Ladegerät entfernt werden.

Bei Lagerung des Akkus länger als 30 Tage:

Akku bei ca. 27°C und trocken lagern.

Akku bei ca. 30%-50% des Ladezustandes lagern.

Akku alle 6 Monate erneut aufladen.

**AKKUÜBERLASTSCHUTZ LI-ION AKKU**

Der Akkupack ist mit einem Überlastschutz ausgestattet, der den Akku vor Überlastung schützt und eine hohe Lebensdauer sicherstellt.

Bei extrem starker Beanspruchung schaltet die Akkuelektronik die Maschine automatisch ab. Zum Weiterarbeiten Maschine Aus- und wieder Einschalten. Sollte die Maschine nicht wieder anlaufen, ist der Akkupack möglicherweise entladen und muss im Ladegerät wieder aufgeladen werden.

**WARTUNG**

Nur AEG Zubehör und Ersatzteile verwenden. Bauteile, deren Austausch nicht beschrieben wurde, bei einer AEG Kundendienststelle auswechseln lassen (Broschüre Garantie/Kundendienstadressen beachten).

Bei Bedarf kann eine Explosionszeichnung des Gerätes unter Angabe der Maschinen Type und der zehnstelligen Nummer auf dem Leistungsschild bei Ihrer Kundendienststelle oder direkt bei AEG Electric Tools GmbH, Max-Eyth-Straße 10, D-71364 Winnenden, Germany angefordert werden.

**SYMBOLS**



Bitte lesen Sie die Gebrauchsanweisung vor Inbetriebnahme sorgfältig durch.



Vor allen Arbeiten an der Maschine den Wechselakku herausnehmen



Werfen Sie Elektrowerkzeuge nicht in den Hausmüll! Gemäss Europäischer Richtlinie 2002/96/EG über Elektro- und Elektronik-Altgeräte und Umsetzung in nationales Recht müssen verbrauchte Elektrowerkzeuge getrennt gesammelt und einer umweltgerechten Wiederverwertung zugeführt werden.

**CARACTÉRISTIQUES TECHNIQUES** Perceuse visseuse à percussion sans fil **BS 14C** **BSB 14C**

Ø de perçage dans acier.....	13 mm	13 mm
Ø de perçage dans bois.....	45 mm	45 mm
Ø de perçage dans brique et grès argilo-calcaire.....	-	14 mm
Vis à bois (sans avant trou).....	8 mm	8 mm
Vitesse de rotation 1ère vitesse.....	0-400 min <sup>-1</sup>	0-400 min <sup>-1</sup>
Vitesse de rotation 2ème vitesse.....	0-1500 min <sup>-1</sup>	0-1500 min <sup>-1</sup>
Perçage à percussion charge max.....	-	19500 min <sup>-1</sup>
Couple avec accu interchangeable (1,5 Ah) *1.....	43 Nm	43 Nm
Couple avec accu interchangeable (3,0 Ah) *1.....	47 Nm	47 Nm
Tension accu interchangeable.....	14,4 V	14,4 V
Plage de serrage du mandrin.....	1,5-13 mm	1,5-13 mm
Poids suivant EPTA-Procédure 01/2003 (1,5 Ah).....	1,7 kg	1,78 kg
Poids suivant EPTA-Procédure 01/2003 (3,0 Ah).....	1,9 kg	1,98 kg

**Bruits et vibrations**

Valeurs de mesure obtenues conformément à la EN 60 745.

La mesure réelle (A) du niveau de bruit de l'outil est

Niveau de pression acoustique (K=3 dB(A)).....	87,5 dB (A)	87,5 dB (A)
Niveau d'intensité acoustique (K=3 dB(A)).....	98,5 dB (A)	98,5 dB (A)

**Toujours porter une protection acoustique!**

Valeurs totales des vibrations (somme vectorielle de trois sens) établies conformément à EN 60745.

Valeur d'émission vibratoire ah

Perçage à percussion dans le béton.....	- m/s <sup>2</sup>	10,6 m/s <sup>2</sup>
Incertitude K=.....	- m/s <sup>2</sup>	1,5 m/s <sup>2</sup>
Perçage dans le métal.....	< 2,5 m/s <sup>2</sup>	< 2,5 m/s <sup>2</sup>
Incertitude K=.....	1,5 m/s <sup>2</sup>	1,5 m/s <sup>2</sup>
Vissage.....	< 2,5 m/s <sup>2</sup>	< 2,5 m/s <sup>2</sup>
Incertitude K=.....	1,5 m/s <sup>2</sup>	1,5 m/s <sup>2</sup>

\*1 Mesuré selon la norme AEG N 877318

**AVERTISSEMENT**

Le niveau vibratoire indiqué dans ces instructions a été mesuré selon un procédé de mesure normalisé dans la norme EN 60745 et peut être utilisé pour comparer des outils électriques entre eux. Il convient aussi à une estimation provisoire de la sollicitation par les vibrations.

Le niveau vibratoire indiqué représente les applications principales de l'outil électrique. Toutefois, si l'outil électrique est utilisé pour d'autres applications, avec des outils rapportés qui diffèrent ou une maintenance insuffisante, il se peut que le niveau vibratoire diverge. Cela peut augmenter nettement la sollicitation par les vibrations sur tout l'intervalle de temps du travail.

Pour une estimation précise de la sollicitation par les vibrations, on devrait également tenir compte des temps pendant lesquels l'appareil n'est pas en marche ou tourne sans être réellement en service. Cela peut réduire nettement la sollicitation par les vibrations sur tout l'intervalle de temps du travail.

Définissez des mesures de sécurité supplémentaires pour protéger l'utilisateur contre l'influence des vibrations, comme par exemple : la maintenance de l'outil électrique et des outils rapportés, le maintien au chaud des mains, l'organisation des déroulements de travail.

**⚠ AVERTISSEMENT! Lisez toutes les consignes de sécurité et les instructions, même celles qui se trouvent dans la brochure ci-jointe.** Le non-respect des avertissements et instructions indiqués ci après peut entraîner un choc électrique, un incendie et/ou de graves blessures sur les personnes.  
**Bien garder tous les avertissements et instructions.**

**INSTRUCTIONS DE SÉCURITÉ PARTICULIÈRES**

**Porter un casque de protection au cours du perçage à percussion.** L'exposition au bruit pourrait provoquer une diminution de l'ouïe.

**Utilisez les poignées supplémentaires livrées en même temps que l'appareil.** La perte de contrôle peut mener à des blessures.

**Maintenez l'appareil par les surfaces de poignée isolées lorsque vous exécutez des travaux pendant lesquels l'outil de coupe peut toucher des lignes électriques dissimulées.** Le contact de l'outil de coupe avec un câble qui conduit la tension peut mettre les pièces métalliques de l'appareil sous tension et mener à une décharge électrique.

**Tenir l'appareil aux surfaces isolées faisant office de poignée pendant les travaux au cours desquels la vis peut toucher des lignes électriques dissimulées.** Le contact de la vis avec un câble qui conduit la tension peut

mettre des parties d'appareil en métal sous tension et mener à une décharge électrique.

Ne jamais enlever les copeaux ni les éclats lorsque la machine est en marche.

Lors du perçage dans les murs, les plafonds ou les planchers, toujours faire attention aux câbles électriques et aux conduites de gaz et d'eau.

Avant tous travaux sur la machine retirer l'accu interchangeable.

Ne pas jeter les accus interchangeables usés au feu ou avec les déchets ménagers. AEG offre un système d'évacuation écologique des accus usés.

Ne pas conserver les accus interchangeables avec des objets métalliques (risque de court-circuit)

Ne charger les accus interchangeables du système GBS qu'avec le chargeur d'accus du système GBS. Ne pas charger des accus d'autres systèmes.

En cas de conditions ou températures extrêmes, du liquide caustique peut s'échapper d'un accu interchangeable endommagé. En cas de contact avec le liquide caustique de la batterie, laver immédiatement avec de l'eau et du savon.

En cas de contact avec les yeux, rincer soigneusement avec de l'eau et consulter immédiatement un médecin.

**UTILISATION CONFORME AUX PRESCRIPTIONS**

La perceuse-visseuse à percussion électronique à accu est conçue pour un travail universel de perçage à percussion, de perçage et de vissage sans être branchée sur le secteur.

Comme déjà indiqué, cette machine n'est conçue que pour être utilisée conformément aux prescriptions.

**DECLARATION CE DE CONFORMITÉ**

Nous déclarons sous notre responsabilité que ce produit est en conformité avec les normes ou documents normalisés suivants EN 60745, EN 55014-1, EN 55014-2, conformément aux réglementations 2006/42/CE, 2004/108/CE



Winnenden, 2011-07-07

*Rainer Kumpf*

Rainer Kumpf  
Manager Product Development

Autorisé à compiler la documentation technique.

**ACCUS**

Les nouveaux accus interchangeables atteignent leur pleine capacité après 4-5 cycles de chargement et déchargement. Recharger les accus avant utilisation après une longue période de non utilisation.

Une température supérieure à 50°C amoindrit la capacité des accus. Éviter les expositions prolongées au soleil ou au chauffage.

Tenir propres les contacts des accus et des chargeurs.

Après l'usage, les accus doivent être chargés entièrement pour une durée de vie optimale.

Pour une plus longue durée de vie, enlever les batteries du chargeur de batterie quand celles-ci seront chargées.

En cas d'entreposage de la batterie pour plus de 30 jours: Entreposer la batterie à 27°C environ dans un endroit sec. Entreposer la batterie avec une charge d'environ 30% - 50%.

Recharger la batterie tous les 6 mois.

**PROTECTION DE L'ACCU CONTRE LES SURCHARGES**

Le bloc d'accus est équipé d'un dispositif de protection contre la surcharge qui protège l'accu contre une surcharge et qui assure une longue durée de vie.

En cas de sollicitation extrêmement élevée, l'unité électronique de l'accu éteint la machine automatiquement. Pour continuer le travail, il convient d'éteindre la machine et de l'enclencher à nouveau. Si la machine ne redémarre pas, il se peut que le bloc d'accus soit déchargé et qu'il doive être rechargé dans le chargeur.

**ENTRETIEN**

N'utiliser que des pièces et accessoires AEG. Pour des pièces dont l'échange n'est pas décrit, s'adresser de préférence aux stations de service après-vente AEG (voir brochure Garantie/Adresses des stations de service après-vente).

Si besoin est, une vue éclatée de l'appareil peut être fournie. S'adresser, en indiquant bien le numéro à dix chiffres porté sur la plaque signalétique, à votre station de service après-vente (voir liste jointe) ou directement à AEG Electric Tools GmbH, Max-Eyth-Straße 10, D-71364 Winnenden, Germany.

**SYMBOLS**



Veillez lire avec soin le mode d'emploi avant la mise en service



Avant tous travaux sur la machine retirer l'accu interchangeable.



Ne pas jeter les appareils électriques dans les ordures ménagères ! Conformément à la directive européenne 2002/96/EG relative aux déchets d'équipements électriques ou électroniques (DEEE), et à sa transposition dans la législation nationale, les appareils électriques doivent être collectés à part et être soumis à un recyclage respectueux de l'environnement.

DATI TECNICI	Trapano avvitatore a batteria	BS 14C	BSB 14C
Ø Foratura in acciaio	.....	13 mm	13 mm
Ø Foratura in legno	.....	45 mm	45 mm
Ø Foratura in mattone e in arenaria calcarea	.....	14 mm	14 mm
Avvitatore nel legno (senza preforatura)	.....	8 mm	8 mm
Numero di giri a vuoto in 1. Velocità	.....	0-400 min <sup>-1</sup>	0-400 min <sup>-1</sup>
Numero di giri a vuoto in 2. Velocità	.....	0-1500 min <sup>-1</sup>	0-1500 min <sup>-1</sup>
Percussione a pieno carico, max.	.....	19500 min <sup>-1</sup>	19500 min <sup>-1</sup>
Momento torcente con Batteria (1,5 Ah) *1	.....	43 Nm	43 Nm
Momento torcente con Batteria (3,0 Ah) *1	.....	47 Nm	47 Nm
Tensione batteria	.....	14,4 V	14,4 V
Capacità mandrino	.....	1,5-13 mm	1,5-13 mm
Peso secondo la procedura EPTA 01/2003 (1,5 Ah)	.....	1,7 kg	1,78 kg
Peso secondo la procedura EPTA 01/2003 (3,0 Ah)	.....	1,9 kg	1,98 kg

#### Informazioni sulla rumorosità e sulla vibrazione

Valori misurati conformemente alla norma EN 60 745.  
La misurazione A della pressione del livello sonoro di un utensile di solito deve essere

Livello di rumorosità (K=3dB(A))	.....	87,5 dB (A)	87,5 dB (A)
Potenza della rumorosità (K=3dB(A))	.....	98,5 dB (A)	98,5 dB (A)

#### Utilizzare le protezioni per l'udito!

Valori totali delle oscillazioni (somma di vettori in tre direzioni) misurati conformemente alla norma EN 60745

Valore di emissione dell'oscillazione ah	.....	- m/s <sup>2</sup>	10,6 m/s <sup>2</sup>
Perforazione a percussione	.....	- m/s <sup>2</sup>	1,5 m/s <sup>2</sup>
Incertezza della misura K=	.....	< 2,5 m/s <sup>2</sup>	< 2,5 m/s <sup>2</sup>
Perforazione in metallo	.....	< 2,5 m/s <sup>2</sup>	< 2,5 m/s <sup>2</sup>
Incertezza della misura K=	.....	1,5 m/s <sup>2</sup>	1,5 m/s <sup>2</sup>
Avvitatura	.....	< 2,5 m/s <sup>2</sup>	< 2,5 m/s <sup>2</sup>
Incertezza della misura K=	.....	1,5 m/s <sup>2</sup>	1,5 m/s <sup>2</sup>

\*1 Misurato conf. norma N 877318 AEG

#### AVVERTENZA

Il livello di vibrazioni indicato nelle presenti istruzioni è stato misurato in conformità con un procedimento di misurazione codificato nella EN 60745 e può essere utilizzato per un confronto tra attrezzi elettrici. Inoltre si può anche utilizzare per una valutazione preliminare della sollecitazione da vibrazioni.

Il livello di vibrazioni indicato rappresenta le applicazioni principali dell'attrezzo elettrico. Se viceversa si utilizza l'attrezzo elettrico per altri scopi, con accessori differenti o con una manutenzione insufficiente, il livello di vibrazioni può risultare diverso. E questo può aumentare decisamente la sollecitazione da vibrazioni lungo l'intero periodo di lavorazione.

Ai fini di una valutazione precisa della sollecitazione da vibrazioni si dovrebbero tenere presente anche i periodi in cui l'apparecchio rimane spento oppure, anche se acceso, non viene effettivamente utilizzato. Ciò può ridurre notevolmente la sollecitazione da vibrazioni lungo l'intero periodo di lavorazione.

Stabilite misure di sicurezza supplementari per la tutela dell'operatore dall'effetto delle vibrazioni, come ad esempio: manutenzione dell'attrezzo elettrico e degli accessori, riscaldamento delle mani, organizzazione dei processi di lavoro.

**AVVERTENZA! E' necessario leggere tutte le indicazioni di sicurezza e le istruzioni, anche quelle contenute nella brochure allegata.** In caso di mancato rispetto delle avvertenze di pericolo e delle istruzioni operative si potrà creare il pericolo di scosse elettriche, incendi e/o incidenti gravi.  
**Conservare tutte le avvertenze di pericolo e le istruzioni operative per ogni esigenza futura.**

#### NORME DI SICUREZZA

**Indossare cuffie protettive durante la trapanatura a percussione.** L'esposizione al rumore potrebbe comportare una riduzione dell'udito.

**Utilizzare l'utensile con la sua impugnatura supplementare.** La perdita di controllo potrebbe causare danneggiamenti all'utilizzatore.

**Impugnare l'apparecchio sulle superfici di tenuta isolate mentre si eseguono lavori durante i quali l'utensile da taglio potrebbe entrare in contatto con cavi di corrente.** L'eventuale contatto dell'utensile da taglio con un cavo sotto tensione potrebbe mettere sotto tensione le parti metalliche dell'apparecchio e provocare una folgorazione.

**Quando si svolge un'operazione in cui la vite potrebbe entrare in contatto con condutture elettriche nascoste impugnare l'apparecchio afferrandolo per le superfici isolate.** La vite che entra in contatto con una conduttura in

tensione può mettere sotto tensione le parti metalliche dell'apparecchio e causare scosse elettriche.

Non rimuovere trucioli o schegge mentre l'utensile è in funzione.

Forando pareti, soffitti o pavimenti, si faccia attenzione ai cavi elettrici e alle condutture dell'acqua e del gas.

Prima di iniziare togliere la batteria dalla macchina.

Non gettare le batterie esaurite sul fuoco o nella spazzatura di casa. La AEG offre infatti un servizio di recupero batterie usate.

Nel vano d'innesto per la batteria del caricatore non devono entrare parti metalliche.(pericolo di cortocircuito).

Le batterie del System GBS sono ricaricabili esclusivamente con i caricatori del System GBS. Le batterie di altri sistemi non possono essere ricaricate.

Nel caso di batterie danneggiate da un carico eccessivo o da temperature alte, l'acido di queste potrebbe fuoriuscire. In caso di contatto con l'acido delle batterie lavarsi immediatamente con acqua e sapone. In caso di contatto con gli occhi risciacquare immediatamente con acqua per almeno 10 minuti e contattare subito un medico.

#### UTILIZZO CONFORME

Il trapano a percussione- avvitatore Accu è indicato per forare a rotazione, a percussione, per avvitare, indipendentemente dal collegamento elettrico.

Utilizzare il prodotto solo per l'uso per cui è previsto.

#### DICHIARAZIONE DI CONFORMITÀ CE

Dichiariamo, assumendo la piena responsabilità di tale dichiarazione, che il prodotto è conforme alla seguenti normative e ai relativi documenti: EN 60745, EN 55014-1, EN 55014-2, in base alle prescrizioni delle direttive 2006/42/CE, 2004/108/CE



Winnenden, 2011-07-07

*Rainer Kumpf*

Rainer Kumpf  
Manager Product Development

Autorizzato alla preparazione della documentazione tecnica

#### BATTERIE

Le batterie nuove raggiungono la loro piena capacità dopo 4-5 cicli di carica e scarica. Batterie non utilizzate per molto tempo devono essere ricaricate prima dell'uso.

A temperature superiori ai 50°C, la potenza della batteria si riduce.

Evitare di esporre l'accumulatore a surriscaldamento prolungato, dovuto ad esempio ai raggi del sole o ad un impianto di riscaldamento.

Per una durata di vita ottimale, dopo l'uso le batterie devono essere completamente ricaricate.

Per una più lunga durata, rimuovere le batterie dal caricabatterie quando saranno cariche.

In caso di immagazzinaggio della batteria per più di 30 giorni:

Immagazzinare la batteria a circa 27°C in ambiente asciutto. Immagazzinare la batteria con carica di circa il 30% - 50%. Ricaricare la batteria ogni 6 mesi.

#### DISPOSITIVO ANTISOVRACCARICO ACCUMULATORE

Il gruppo accumulatore è equipaggiato con un dispositivo antisovraccarico, che protegge l'accumulatore da qualsiasi sovraccarico e assicura un'elevata durata di vita.

In caso di sollecitazione estremamente elevata, l'elettronica dell'accumulatore spegne la macchina automaticamente.

Per poter continuare a lavorare bisogna spegnere e riaccendere la macchina. Se la macchina non dovesse riavviarsi, il gruppo accumulatore potrebbe essere scarico e va ricaricato nel carica-batteria.

#### MANUTENZIONE

Utilizzare esclusivamente accessori e pezzi di ricambio AEG. L'installazione di pezzi di ricambio non specificamente prescritti dall'AEG va preferibilmente effettuata dal servizio di assistenza clienti AEG (ved. opuscolo Garanzia/Indirizzi Assistenza tecnica).

In caso di mancanza del disegno esploso, può essere richiesto al seguente indirizzo: AEG Electric Tools GmbH, Max-Eyth-Straße 10, D-71364 Winnenden, Germany.

#### SIMBOLI



Leggere attentamente le istruzioni per l'uso prima di mettere in funzione l'elettro-utensile.



Prima di iniziare togliere la batteria dalla macchina.



Non gettare le apparecchiature elettriche tra i rifiuti domestici. Secondo la Direttiva Europea 2002/96/CE sui rifiuti di apparecchiature elettriche ed elettroniche e la sua attuazione in conformità alle norme nazionali, le apparecchiature elettriche esauste devono essere accolte separatamente, al fine di essere reimpiagate in modo eco-compatibile.

**DATOS TÉCNICOS** **Taladro combi a batería** **BS 14C** **BSB 14C**

Diámetro de taladrado en acero	13 mm	13 mm
Diámetro de taladrado en madera	45 mm	45 mm
Diámetro de taladrado ladrillo y losetas	-	14 mm
Tornillos para madera (sin pretaladrar)	8 mm	8 mm
Velocidad en vacío en primera marcha	0-400 min <sup>-1</sup>	0-400 min <sup>-1</sup>
Velocidad en vacío 2ª velocidad	0-1500 min <sup>-1</sup>	0-1500 min <sup>-1</sup>
Frecuencia de impactos bajo carga	-	19500 min <sup>-1</sup>
Par con batería (1,5 Ah) *1	43 Nm	43 Nm
Par con batería (3,0Ah) *1	47 Nm	47 Nm
Voltaje de batería	14,4 V	14,4 V
Gama de apertura del portabrocas	1,5-13 mm	1,5-13 mm
Peso de acuerdo con el procedimiento EPTA 01/2003 (1,5 Ah)	1,7 kg	1,78 kg
Peso de acuerdo con el procedimiento EPTA 01/2003 (3,0 Ah)	1,9 kg	1,98 kg

**Información sobre ruido y vibraciones**

Determinación de los valores de medición según norma EN 60 745.

La presión acústica se eleva normalmente

Presión acústica (K = 3 dB(A))	87,5 dB (A)	87,5 dB (A)
Resonancia acústica (K = 3 dB(A))	98,5 dB (A)	98,5 dB (A)

**Usar protectores auditivos!**

Nivel total de vibraciones (suma vectorial de tres direcciones) determinado según EN 60745.

Valor de vibraciones generadas ah

taladrado de percusión	- m/s <sup>2</sup>	10,6 m/s <sup>2</sup>
Tolerancia K=	- m/s <sup>2</sup>	1,5 m/s <sup>2</sup>
taladrado en metal	< 2,5 m/s <sup>2</sup>	< 2,5 m/s <sup>2</sup>
Tolerancia K=	1,5 m/s <sup>2</sup>	1,5 m/s <sup>2</sup>
tornillos	< 2,5 m/s <sup>2</sup>	< 2,5 m/s <sup>2</sup>
Tolerancia K=	1,5 m/s <sup>2</sup>	1,5 m/s <sup>2</sup>

\*1 Medido según norma AEG N 877318

**ADVERTENCIA**

El nivel vibratorio indicado en estas instrucciones ha sido medido conforme a un método de medición estandarizado en la norma EN 60745, y puede utilizarse para la comparación entre herramientas eléctricas. También es apropiado para una estimación provisional de la carga de vibración.

El nivel vibratorio indicado representa las aplicaciones principales de la herramienta eléctrica. Si, pese a ello, se utiliza la herramienta eléctrica para otras aplicaciones, con útiles adaptables diferentes o con un mantenimiento insuficiente, el nivel vibratorio puede diferir. Esto puede incrementar sensiblemente la carga de vibración durante todo el periodo de trabajo.

Para una estimación exacta de la carga de vibración deberían tenerse en cuenta también los tiempos durante los que el aparato está apagado o, pese a estar en funcionamiento, no está siendo realmente utilizado. Esto puede reducir sustancialmente la carga de vibración durante todo el periodo de trabajo.

Adopte medidas de seguridad adicionales para la protección del operador frente al efecto de las vibraciones, como por ejemplo: mantenimiento de la herramienta eléctrica y de los útiles adaptables, mantener las manos calientes, organización de los procesos de trabajo.

**⚠ ADVERTENCIA! Rogamos leer las indicaciones de seguridad y las instrucciones, también las que contiene el folleto adjunto.** En caso de no atenderse a las advertencias de peligro e instrucciones siguientes, ello puede ocasionar una descarga eléctrica, un incendio y/o lesión grave.

**Guardar todas las advertencias de peligro e instrucciones para futuras consultas.**

**INSTRUCCIONES DE SEGURIDAD**

**Utilice protectores de oídos al taladrar con percusión.** La exposición a niveles de ruido excesivos puede causar la pérdida de audición.

**¡Utilice las empuñaduras auxiliares suministradas con la herramienta!** La pérdida de control de la herramienta puede causar accidentes

**Sujete el aparato de las superficies aisladas de agarre al efectuar trabajos en los cuales la perforadora de percusión pueda entrar en contacto con conductores de corriente ocultos.** El contacto de la perforadora de percusión con un conducto con energía aplicada también podrá poner bajo tensión partes metálicas del aparato y causar un choque eléctrico.

**Sujete el aparato por las superficies de sujeción aisladas cuando realice trabajos en los que el tornillo puede alcanzar líneas de corriente eléctrica ocultas.** El

contacto del tornillo con una línea conductora de corriente puede poner las partes metálicas del aparato bajo tensión y provocar un choque eléctrico.

Nunca se debe intentar limpiar el polvo o viruta procedente del taladrado con la máquina en funcionamiento.

Para trabajar en paredes, techo o suelo, tenga cuidado para evitar los cables eléctricos y tuberías de gas o agua.

Retire la batería antes de comenzar cualquier trabajo en la máquina.

No tire las baterías usadas a la basura ni al fuego. Los Distribuidores AEG ofrecen un servicio de recogida de baterías antiguas para proteger el medio ambiente.

No almacene la batería con objetos metálicos (riesgo de cortocircuito).

Recargar solamente los acumuladores del Sistema GBS en cargadores GBS. No intentar recargar acumuladores de otros sistemas.

En caso de sobrecarga o alta temperatura, pueden llegar a producirse escapes de ácido provenientes de la batería. En caso de contacto con éste, limpie inmediatamente la zona con agua y jabón. Si el contacto es en los ojos, límpiense concienzudamente con agua durante 10 minutos y acuda inmediatamente a un médico

**APLICACIÓN DE ACUERDO A LA FINALIDAD**

El taladro-atornillador electrónico por acumulador es utilizable en todo tipo de trabajos taladrar, con y sin percusión, atornillar sin depender de una toma de corriente.

No utilice este producto para ninguna otra aplicación que no sea su uso normal.

**DECLARACION DE CONFORMIDAD CE**

Declaramos bajo nuestra sola responsabilidad que este producto está en conformidad con las normas o documentos normalizados siguientes. EN 60745, EN 55014-1, EN 55014-2, de acuerdo con las regulaciones 2006/42/CE, 2004/108/CE



Winnenden, 2011-07-07

*Rainer Kumpf*

Rainer Kumpf  
Manager Product Development

Autorizado para la redacción de los documentos técnicos.

**BATERIA**

Las baterías nuevas alcanzan su plena capacidad de carga después de 4 - 5 cargas y descargas. Las baterías no utilizadas durante cierto tiempo deben ser recargadas antes de usar.

Las temperaturas superiores a 50°C reducen el rendimiento de la batería. Evite una exposición excesiva a fuentes de calor o al sol (riesgo de sobrecalentamiento).

Los puntos de contacto de los cargadores y las baterías se deben mantener limpios.

Para un tiempo de vida óptimo, deberán cargarse completamente las baterías después de su uso.

Para garantizar la máxima capacidad y vida útil, las baterías recargables se deberían retirar del cargador una vez finalizada la carga.

En caso de almacenar la batería recargable más de 30 días:

Almacenar la batería recargable en un lugar seco a una temperatura de aproximadamente 27°C.

Almacenar la batería recargable con un estado de carga del 30% y 50% aproximadamente.

Recargar la batería cada 6 meses.

**PROTECCIÓN CONTRA SOBRECARGA DE LA BATERÍA**

El paquete del acumulador está dotado de un dispositivo de protección contra la sobrecarga que asegura una prolongada vida útil.

En caso de esfuerzo extremadamente intenso, la electrónica del acumulador desconecta automáticamente la máquina. Para continuar trabajando, desconectar y conectar de nuevo la máquina. Si la máquina no se pone nuevamente en marcha, es posible que se haya descargado el acumulador por lo que deberá recargarse en el cargador.

**MANTENIMIENTO**

Solo se deben utilizar accesorios y piezas de repuestos AEG. Piezas cuyo recambio no está descrito en las instrucciones de uso, deben sustituirse en un centro de asistencia técnica AEG (Consulte el folleto Garantía/ Direcciones de Centros de Asistencia Técnica).

En caso necesario, puede solicitar un despiece de la herramienta. Por favor indique el número de impreso de diez dígitos que hay en la etiqueta y pida el despiece a la siguiente dirección: AEG Electric Tools GmbH, Max-Eyth-Straße 10, D-71364 Winnenden, Germany.

**SÍMBOLOS**



Lea las instrucciones detenidamente antes de conectar la herramienta



Retire la batería antes de comenzar cualquier trabajo en la máquina.



¡No deseche los aparatos eléctricos junto con los residuos domésticos! De conformidad con la Directiva Europea 2002/96/CE sobre residuos de aparatos eléctricos y electrónicos y su aplicación de acuerdo con la legislación nacional, las herramientas eléctricas cuya vida útil haya llegado a su fin se deberán recoger por separado y trasladar a una planta de reciclaje que cumpla con las exigencias ecológicas.

**CARACTERÍSTICAS TÉCNICAS Berbequim com percussão a bateria BS 14C BSB 14C**

Ø de furo em aço	13 mm	13 mm
Ø de furo em madeira	45 mm	45 mm
Ø de furo em tijolo e calcário	-	14 mm
Parafusos para madeira (sem furo prévio)	8 mm	8 mm
Nº de rotações em vazio na 1ª velocidade	0-400 min <sup>-1</sup>	0-400 min <sup>-1</sup>
Nº de rotações em vazio na 2ª velocidade	0-1500 min <sup>-1</sup>	0-1500 min <sup>-1</sup>
Frequência de percussão em carga	-	19500 min <sup>-1</sup>
Binário com acumulador (1,5 Ah) *1	43 Nm	43 Nm
Binário com acumulador (3,0 Ah) *1	47 Nm	47 Nm
Tensão do acumulador	14,4 V	14,4 V
Capacidade da bucha	1,5-13 mm	1,5-13 mm
Peso nos termos do procedimento-EPTA 01/2003 (1,5 Ah)	1,7 kg	1,78 kg
Peso nos termos do procedimento-EPTA 01/2003 (3,0 Ah)	1,9 kg	1,98 kg

**Informações sobre ruído e vibrações**

Valores de medida de acordo com EN 60 745.

Normalmente o nível de pressão de ruído da ferramenta é

Nível da pressão de ruído (K=3dB(A))	87,5 dB (A)	87,5 dB (A)
Nível da potência de ruído (K=3dB(A))	98,5 dB (A)	98,5 dB (A)

**Use protectores auriculares!**

Valores totais de vibração (soma dos vectores das três direcções) determinadas conforme EN 60745.

Valor de emissão de vibração ah

Furar de impacto em betão	- m/s <sup>2</sup>	10,6 m/s <sup>2</sup>
Incerteza K=	- m/s <sup>2</sup>	1,5 m/s <sup>2</sup>
Furar em metal	< 2,5 m/s <sup>2</sup>	< 2,5 m/s <sup>2</sup>
Incerteza K=	1,5 m/s <sup>2</sup>	1,5 m/s <sup>2</sup>
Parafusos	< 2,5 m/s <sup>2</sup>	< 2,5 m/s <sup>2</sup>
Incerteza K=	1,5 m/s <sup>2</sup>	1,5 m/s <sup>2</sup>

\*1 Medido em conformidade com a AEG Standard N 877318

**ATENÇÃO**

O nível vibratório indicado nestas instruções foi medido em conformidade com um procedimento de medição normalizado na EN 60745 e pode ser utilizado para comparar entre si ferramentas eléctricas. O mesmo é também adequado para avaliar provisoriamente o esforço vibratório.

O nível vibratório indicado representa as principais aplicações da ferramenta eléctrica. Se, no entanto, a ferramenta eléctrica for utilizada para outras aplicações, com outras ferramentas adaptadas ou uma manutenção insuficiente, o nível vibratório poderá divergir. Isto pode aumentar consideravelmente o esforço vibratório ao longo de todo o período do trabalho.

Para uma avaliação exacta do esforço vibratório devem também ser considerados os tempos durante os quais o aparelho está desligado ou está a funcionar, mas não está efectivamente a ser utilizado. Isto pode reduzir consideravelmente o esforço vibratório ao longo de todo o período do trabalho.

Defina medidas de segurança suplementares para proteger o operador do efeito das vibrações, como por exemplo: manutenção da ferramenta eléctrica e das ferramentas adaptadas, manter as mãos quentes, organização das seqüências de trabalho.

**⚠ ATENÇÃO! Leia todas as instruções de segurança e todas as instruções, também aquelas que constam na brochura junta.** O desrespeito das advertências e instruções apresentadas abaixo pode causar choque eléctrico, incêndio e/ou graves lesões.

**Guarde bem todas as advertências e instruções para futura referência.**

**INSTRUÇÕES DE SEGURANÇA****Use uma protecção dos ouvidos ao usar o berbequim de percussão.** Os ruídos podem causar surdez.**Sempre use os punhos adicionais fornecidos com o aparelho.** A perda de controlo pode causar feridas.**Segure o aparelho nas superfícies de punho isoladas se estiver a executar trabalhos, nos quais a ferramenta de corte pode tocar em linhas eléctricas escondidas.** O contacto da ferramenta de corte com uma linha sob tensão também pode colocar peças metálicas do aparelho sob tensão e levar a um choque eléctrico.**Segure o aparelho pela superfície isoladora do punho, se executar trabalhos nos quais o parafuso possa tocar em linhas eléctricas ocultas.** O contacto do parafuso com uma linha sob tensão pode também colocar peças metálicas do aparelho sob tensão e provocar um choque eléctrico.

Não remover aparas ou lascas enquanto a máquina trabalha.

Ao trabalhar em paredes, tectos e soalhos prestar atenção a que não sejam atingidos cabos eléctricos e canalizações de gás e água.

Antes de efectuar qualquer intervenção na máquina retirar o bloco acumulador.

Não queimar acumuladores gastos nem deitá-los no lixo doméstico. A AEG possui uma eliminação de acumuladores gastos que respeita o meio ambiente.

Não guardar acumuladores junto com objectos metálicos (perigo de curto-circuito).

Use apenas carregadores do Sistema GBS para recarregar os acumuladores do Sistema GBS. Não utilize acumuladores de outros sistemas.

Em caso de cargas ou temperaturas extremas, um acumulador de substituição danificado poderá verter líquido de bateria. Se entrar em contacto com este líquido, deverá lavar-se imediatamente com água e sabão. Em caso de contacto com os olhos, enxágüe-os bem e de imediato durante pelo menos 10 minutos e consulte um médico o mais depressa possível.

**UTILIZAÇÃO AUTORIZADA**

O berbequim aparafusador electrónico com percussão e sem fio pode ser aplicado universalmente para furar, furar com percussão e aparafusar sem necessidade de ligar a máquina à rede.

Não use este produto de outra maneira sem ser a normal para o qual foi concebido.

**DECLARAÇÃO DE CONFORMIDADE CE**

Declaramos, sob nossa exclusiva responsabilidade, que este produto cumpre as seguintes normas ou documentos normativos: EN 60745, EN 55014-1, EN 55014-2, conforme as disposições das directivas 2006/42/CE, 2004/108/CE



Winnenden, 2011-07-07

Rainer Kumpf  
Manager Product Development

Autorizado a reunir a documentação técnica.

**ACUMULADOR**

Acumuladores novos atingem a sua plena capacidade após 4-5 ciclos de carga e descarga. Acumuladores não utilizados durante algum tempo devem ser recarregados antes da sua utilização.

Temperaturas acima de 50°C reduzem a capacidade do bloco acumulador. Evitar exposição prolongada ao sol ou a caloríferos.

Manter limpos os contactos eléctricos no carregador e no bloco acumulador.

Para uma vida útil óptima dos acumuladores, terá que carregá-los plenamente após a sua utilização.

Para assegurar uma vida útil longa, o pacote de bateria deve ser removido da carregadora depois do carregamento.

Se o pacote de bateria for armazenado por mais de 30 dias: Armazene o pacote de bateria com aprox. 27°C em um lugar seco.

Armazene o pacote de bateria com aprox. 30%-50% da carga completa.

Carregue o pacote de bateria novamente de 6 em 6 meses.

**PROTECÇÃO DE SOBRECARGA DE BATERIA**

As baterias estão equipadas com uma protecção contra sobrecarga, que as protegem de uma sobrecarga e lhes conferem uma longa durabilidade. No caso de um esforço extremamente elevado a electrónica das baterias desliga automaticamente o aparelho. Para continuar a trabalhar desligar e voltar a ligar o aparelho. Se o aparelho não se voltar a ligar, é porque o conjunto das baterias está possivelmente descarregado e tem de voltar a ser carregado na carregadora.

**MANUTENÇÃO**

Utilizar unicamente acessórios e peças sobressalentes da AEG. Sempre que a substituição de um componente não tenha sido descrita nas instruções, será de toda a conveniência mandar executar esse trabalho a um Serviço de Assistência AEG (veja o folheto Garantia/Endereços de Serviços de Assistência).

A pedido e mediante indicação da referência de dez números que consta da chapa de características da máquina, pode requerer-se um desenho explosivo da ferramenta eléctrica a: AEG Electric Tools GmbH, Max-Eyth-Straße 10, D-71364 Winnenden, Germany.

**SYMBOLE**

Leia atentamente o manual de instruções antes de colocar a máquina em funcionamento.



Antes de efectuar qualquer intervenção na máquina retirar o bloco acumulador.



Não deite ferramentas eléctricas no lixo doméstico! De acordo com a directiva europeia 2002/96/CE sobre ferramentas eléctricas e electrónicas usadas e a transposição para as leis nacionais, as ferramentas eléctricas usadas devem ser recolhidas em separado e encaminhadas a uma instalação de reciclagem dos materiais ecológica.

**TECHNISCHE GEGEVENS**      **Accu-slagboormachine**      **BS 14C**      **BBS 14C**

Boor-Ø in staal .....	13 mm	13 mm
Boor-Ø in hout .....	45 mm	45 mm
Boor-Ø in tegel en kalkzandsteen .....	14 mm	14 mm
Houtschroeven (zonder voorbereiden) .....	8 mm	8 mm
Onbelast toerental in stand 1 .....	0-400 min <sup>-1</sup>	0-400 min <sup>-1</sup>
Onbelast toerental in stand 2 .....	0-1500 min <sup>-1</sup>	0-1500 min <sup>-1</sup>
Aantal slagen belast max. ....	-	19500 min <sup>-1</sup>
Draaimoment met wisselakku (1,5 Ah) *1 .....	43 Nm	43 Nm
Draaimoment met wisselakku (3,0 Ah) *1 .....	47 Nm	47 Nm
Spanning wisselakku .....	14,4 V	14,4 V
Spanwijdte boorhouder .....	1,5-13 mm	1,5-13 mm
Gewicht volgens de EPTA-procedure 01/2003 (1,5 Ah) .....	1,7 kg	1,78 kg
Gewicht volgens de EPTA-procedure 01/2003 (3,0 Ah) .....	1,9 kg	1,98 kg

**Informatie over geluid en trillingen**

Meetwaarden vastgesteld volgens EN 60 745.

Het kenmerkende A-gewaardeerde geluidsdruk-niveau van de machine bedraagt

Geluidsdruk-niveau (K = 3 dB(A)) .....	87,5 dB (A)	87,5 dB (A)
Geluidsvermogen-niveau (K = 3 dB(A)) .....	98,5 dB (A)	98,5 dB (A)

**Draag oorbeschermers!**

Totale trillingswaarden (vectorsom van drie richtingen) bepaald volgens EN 60745.

Trillingsemisiewaarde ah		
Slagboren in beton .....	- m/s <sup>2</sup>	10,6 m/s <sup>2</sup>
Onzekerheid K= .....	- m/s <sup>2</sup>	1,5 m/s <sup>2</sup>
Boren in metaal .....	< 2,5 m/s <sup>2</sup>	< 2,5 m/s <sup>2</sup>
Onzekerheid K= .....	1,5 m/s <sup>2</sup>	1,5 m/s <sup>2</sup>
Schroeven .....	< 2,5 m/s <sup>2</sup>	< 2,5 m/s <sup>2</sup>
Onzekerheid K= .....	1,5 m/s <sup>2</sup>	1,5 m/s <sup>2</sup>

\*1 Gemeten volgens de AEG Standard N 877318

**WAARSCHUWING**

De in deze aanwijzingen vermelde trillingsdruk is gemeten volgens een in EN 60745 genormeerde meetmethode en kan worden gebruikt voor de onderlinge vergelijking van apparaten. Hij is ook geschikt voor een voorlopige inschatting van de trillingsbelasting.

De aangegeven trillingsdruk geldt voor de meest gebruikelijke toepassingen van het elektrische apparaat. Wanneer het elektrische gereedschap echter voor andere doeleinden, met andere dan de voorgeschreven hulpstukken gebruikt of niet naar behoren onderhouden wordt, kan de trillingsdruk afwijken. Dit kan de waarde van de trillingsdruk over de hele werkperiode aanzienlijk verhogen.

Voor een nauwkeurige inschatting van de trillingsdruk moeten ook de tijden in aanmerking worden genomen dat het apparaat uitgeschakeld is of weliswaar loopt, maar niet werkelijk in gebruik is. Dit kan de waarde van de trillingsdruk over de hele werkperiode aanzienlijk verminderen.

Bepaal extra veiligheidsmaatregelen ter bescherming van de bediener tegen de inwerking van trillingen, bijvoorbeeld: onderhoud van elektrische gereedschappen en apparaten, warmhouden van de handen, organisatie van de werkprocessen.

**⚠ WAARSCHUWING! Lees alle veiligheidsinstructies en aanwijzingen door - ook die in de bijgeleverde brochure.**

Als de waarschuwingen en voorschriften niet worden opgevolgd, kan dit een elektrische schok, brand of ernstig letsel tot gevolg hebben.

**Bewaar alle waarschuwingen en voorschriften voor toekomstig gebruik.**

**VEILIGHEIDSAADVIEZEN**

**Draag gehoorbescherming tijdens het klopboren.** Lawaai kan gehoorverlies veroorzaken.

**Gebruik de bij de machine geleverde zijhandgreep.** Verlies aan controle kan tot persoonlijk letsel leiden.

**Houd het apparaat alléén aan de geïsoleerde grijpvlakken vast, wanneer u werkzaamheden uitvoert waarbij het snijgereedschap verborgen stroomleidingen zou kunnen raken.** Het contact van het snijgereedschap met een spanningvoerende leiding kan de metalen apparaatdelen onder spanning zetten en zo tot een elektrische schok leiden.

**Houd het apparaat alléén vast aan de geïsoleerde grijpvlakken als u werkzaamheden uitvoert waarbij de schroef verborgen stroomleidingen zou kunnen raken.** Het contact van de schroef met een spanningvoerende

leiding kan de metalen apparaatdelen onder spanning zetten en zo tot een elektrische schok leiden.

Spanen of splinters mogen bij draaiende machine niet worden verwijderd.

Bij het werken in wanden, plafonds of vloeren oppassen voor elektriciteitsdraden, gas- of waterleidingen.

Voor alle werkzaamheden aan de machine de accu verwijderen.

Verbruikte accu's niet in het vuur of bij het huisvuil werpen. AEG biedt namelijk een milieuvriendelijke recyclingmethode voor uw oude accu's.

Wisselakku's niet bij metalen voorwerpen bewaren (kortsluitingsgevaar !).

Wisselakku's van het Akku-Systeem GBS alléén met laadapparaten van het Akku-Systeem GBS laden. Geen accu's van andere systemen laden.

Onder extreme belasting of extreme temperaturen kan uit de accu accu-vloeistof lopen. Na contact met accu-vloeistof direct afwassen met water en zeep. Bij oogcontact direct minstens 10 minuten grondig spoelen en onmiddellijk een arts raadplegen.

**VOORGESCHREVEN GEBRUIK VAN HET SYSTEEM**

De accu elektronisch slagboorschroevendraaier is te gebruiken om te boren, slagboren en te schroeven, onafhankelijk van een netaansluiting.

Dit apparaat uitsluitend gebruiken voor normaal gebruik, zoals aangegeven.

**EC - VERKLARING VAN OVEREENSTEMMING**

Wij verklaren dat dit produkt voldoet aan de volgende normen of normatieve documenten: EN 60745, EN 55014-1, EN 55014-2, overeenkomstig de bepalingen van de richtlijnen 2006/42/EG, 2004/108/EG



Winnenden, 2011-07-07

Rainer Kumpf  
Manager Product Development

Gemachtigd voor samenstelling van de technische documenten

**AKKU**

Nieuwe wisselakku's bereiken hun volle capaciteit na 4-5 laad-/ontlaadcycli. Langere tijd niet toegepaste wisselakku's vóór gebruik altijd naladen.

Een temperatuur boven de 50°C vermindert de capaciteit van de accu. Langdurige verwarming door zon of hitte vermijden.

De aansluitcontacten aan het laadapparaat en de accu schoonhouden.

Voor een optimale levensduur moeten de accu's na het gebruik volledig opgeladen worden.

Voor een zo lang mogelijke levensduur van de accu's dienen deze na het opladen uit het laadtoestel te worden verwijderd.

Bij een langere opslag van de accu dan 30 dagen:

accu bij ca. 27 °C droog bewaren.

accu bij ca. 30 % - 50 % van de laadtoestand bewaren.

accu om de 6 maanden opnieuw opladen.

**OVERBELASTINGSBEVEILIGING VAN DE ACCU**

Het accupak is uitgerust met een overbelastingsbeveiliging die de accu tegen overbelasting beschermt en een lange levensduur garandeert.

Bij extreem sterke belasting schakelt de accuelektronica de machine automatisch uit. Schakel de machine uit en weer in om door te kunnen werken. Wanneer de machine niet meer start, is het accupak mogelijkterwijls ontladen en moet het in het laadtoestel worden opgeladen.

**ONDERHOUD**

Alleen AEG toebehoren en onderdelen gebruiken. Onderdelen welke niet vermeld worden, kunnen het beste door de AEG servicedienst verwisseld worden (zie Serviceadressen).

Onder vermelding van het tiencijferige nummer op het machineplaatje is desgewenst een doorsnedetekening van de machine verkrijgbaar bij: AEG Electric Tools GmbH, Max-Eyth-Straße 10, D-71364 Winnenden, Germany.

**SYMBOLEN**

Graag instructies zorgvuldig doorlezen vóórdat u de machine in gebruik neemt.



Voor alle werkzaamheden aan de machine de accu verwijderen.



Geef elektrisch gereedschap niet met het huisvuil mee! Volgens de Europese richtlijn 2002/96/EG inzake oude elektrische en elektronische apparaten en de toepassing daarvan binnen de nationale wetgeving, dient gebruikt elektrisch gereedschap gescheiden te worden ingezameld en te worden afgevoerd naar een recycle bedrijf dat voldoet aan de geldende milieu-eisen.



**TEKNISKE DATA**      **Akku slagbore-/skruemaskine**      **BS 14C**      **BSB 14C**

Bor-ø i stål .....	13 mm	13 mm
Bor-ø i træ .....	45 mm	45 mm
Bor-ø i tegl og kalksandsten .....	14 mm	14 mm
Træskruer (uden forboring) .....	8 mm	8 mm
Omdrejningstal, ubelastet i 1. gear .....	0-400 min <sup>-1</sup>	0-400 min <sup>-1</sup>
Omdrejningstal, ubelastet i 2. gear .....	0-1500 min <sup>-1</sup>	0-1500 min <sup>-1</sup>
Slagantal belastet max. ....	-	19500 min <sup>-1</sup>
Drejningsmoment med udskiftningsbatteri (1,5 Ah) *1 .....	43 Nm	43 Nm
Drejningsmoment med udskiftningsbatteri (3,0 Ah) *1 .....	47 Nm	47 Nm
Udskiftningsbatteriets spænding .....	14,4 V	14,4 V
Borepatronspændevide .....	1,5-13 mm	1,5-13 mm
Vægt svarer til EPTA-procedure 01/2003 (1,5 Ah) .....	1,7 kg	1,78 kg
Vægt svarer til EPTA-procedure 01/2003 (3,0 Ah) .....	1,9 kg	1,98 kg

**Støj-/vibrationsinformation**

Måleværdier beregnes iht. EN 60 745.

Værktøjets A-vægtede lydtrykniveau er typisk

Lydtrykniveau (K=3 dB(A)) .....	87,5 dB (A)	87,5 dB (A)
Lydefekt niveau (K=3 dB(A)) .....	98,5 dB (A)	98,5 dB (A)

**Brug høreværn!**

Samlede vibrationsværdier (værdisum for tre retninger) beregnet iht. EN 60745.

Vibrationseksponering ah

Slagboring i beton .....	- m/s <sup>2</sup>	10,6 m/s <sup>2</sup>
Usikkerhed K= .....	- m/s <sup>2</sup>	1,5 m/s <sup>2</sup>
Boring i metal .....	< 2,5 m/s <sup>2</sup>	< 2,5 m/s <sup>2</sup>
Usikkerhed K= .....	1,5 m/s <sup>2</sup>	1,5 m/s <sup>2</sup>
Skruning .....	< 2,5 m/s <sup>2</sup>	< 2,5 m/s <sup>2</sup>
Usikkerhed K= .....	1,5 m/s <sup>2</sup>	1,5 m/s <sup>2</sup>

\*1 Målt i.h.t. AEG Standard N 877318

**ADVARSEL**

Svingningsniveauet, som er angivet i disse anvisninger, er målt i henhold til standardiseret måleprocedure ifølge EN 60745 og kan anvendes til indbyrdes sammenligning mellem el-værktøjer. Svingningsniveauet er ligeledes egnet som foreløbigt skøn over svingningsbelastningen.

Det angivne svingningsniveau er baseret på el-værktøjets primære anvendelsesformål. Hvis el-værktøjet benyttes til andre formål, med andet indsatsværktøj eller ikke vedligeholdes tilstrækkeligt, kan svingningsniveauet afvige. Dette kan øge svingningsbelastningen over den samlede arbejdsperiode betydeligt.

For en nøjagtig vurdering af svingningsbelastningen skal der også tages højde for de tidsperioder, hvor apparatet er slukket, eller hvor apparatet kører, men uden at være i anvendelse. Dette kan reducere svingningsbelastningen over den samlede arbejdsperiode betydeligt.

Supplerende sikkerhedsforanstaltninger til beskyttelse af brugeren mod påvirkninger fra svingninger skal iværksættes, f.eks.: Vedligeholdelse af el-værktøj og indsatsværktøj, varmholdelse af hænder, organisering af arbejdsprocesser.

**⚠ ADVARSEL! Læs alle sikkerhedsanvisninger og øvrige vejledninger, også i den vedlagte brochure.** I tilfælde af manglende overholdelse af advarselshenvisningerne og instrukserne er der risiko for elektrisk stød, brand og/eller alvorlige kvæstelser. **Opbevar alle advarselshenvisninger og instrukser til senere brug.**

**SIKKERHEDSHENVISNINGER**

**Brug høreværn under slagboring.** Støjen kan føre til nedsat hørelse.

**Brug de ekstra håndtag, som følger med apparatet.** Hvis kontrollen mistes, kan det medføre personskaade.

**Hold maskinen fast i de isolerede gribeblade, når du udfører arbejde, hvor der er risiko for, at skæreværktøjet kan ramme skjulte strømledninger.** Kommer skæreværktøjet i kontakt med en strømførende ledning, kan maskinens metaldele komme under spænding og give elektrisk stød.

**Når du udfører arbejde, der indebærer en risiko for, at skruen kan ramme skjulte strømledninger, skal du holde i maskinens isolerede greb.** Skruens kontakt med en spændingsførende ledning kan sætte metalliske maskindele under spænding og medføre elektrisk stød.

Spåner eller splinter må ikke fjernes, medens maskinen kører.

Ved arbejde boring i væg, loft eller gulv skal man passe på elektriske kabler, gas- og vandledninger.

Ved arbejde inden i maskinen, bør batteriet tages ud.

Opbrugte udskiftningsbatterier må ikke brændes eller kasseres sammen med alm. husholdningsaffald. AEG har en miljørigtig bortskaafelse af gamle udskiftningsbatterier, henvend Dem til Deres forhandler.

Opbevar ikke udskiftningsbatterier sammen med metalgenstande af fare for kortslutning.

Brug kun GBS ladeapparater for opladning af System GBS batterier.

I tilfælde af en ekstrem belastning eller ekstrem temperatur kan der flyde batterivæske ud af et beskaadiget batteri. Hvis De kommer i berøring med batterivæsken, skal den vaskes godt og grundigt af med vand og sæbe. I tilfælde af øjenkontakt, skal man mindst skylle øjnene godt og grundigt igennem i 10 minutter og omgående opsøge en læge.

**TILTÆNKT FORMÅL**

Akku slagboremaskinen kan anvendes til alm. boreopgaver, slagboring og som skruemaskine uden tilslutning til stikkontakt.

Produktet må ikke anvendes på anden måde og til andre formål end foreskrevet.

**CE-KONFORMITETSERKLÆRING**

Vi erklærer under almindeligt ansvar, at dette produkt er i overensstemmelse med følgende normer eller normative dokumenter. EN 60745, EN 55014-1, EN 55014-2, i henhold til bestemmelserne i direktiverne 2006/42/EF, 2004/108/EF



Winnenden, 2011-07-07

*Rainer Kumpf*

Rainer Kumpf  
Manager Product Development

Autoriseret til at udarbejde de tekniske dokumenter.

**BATTERI**

Nye udskiftningsbatterier opnår deres fulde kapacitet efter 4-5 oplade- og afladecykler. Udskiftningsbatterier, der ikke har været brugt i længere tid, efterlades inden brug.

Ved temperaturer over 50°C formindskes batteriets effekt. Undgå direkte sollys og stærk varme.

Tilslutningskontakterne på oplader og udskiftningsbatterier skal holdes rene.

For at opnå en optimal levetid skal de genopladelige batterier oplades fuldt efter brug.

For at sikre en så lang levetid som muligt skal batterierne tages ud af ladeaggregatet efter opladning.

Skal batterierne opbevares længere end 30 dage:

Temperatur ca. 27°C i tørre omgivelser.

Opbevares ved ca. 30%-50% af ladetilstanden.

Batteri skal genoplades hver 6. måned.

**OVERBELASTNINGSSIKRING FOR BATTERI**

Akkupack'en er udstyret med en overbelastningssikring, som beskytter akkumulatorbatteriet mod overbelastning og sikrer en høj levetid.

Ved ekstrem kraftig belastning kobler batteriets elektronik automatisk maskinen fra. Sluk og tænd maskinen igen for at genoptage driften. Går maskinen ikke i gang igen, er akkupack'en muligvis afladt og skal genoplades i ladeaggregatet.

**VEDLIGEHOLDELSE**

Brug kun AEG tilbehør og reservedele. Lad de komponenter, hvis udskiftning ikke er blevet beskrevet, udskifte hos AEG service (se kundeserviceadresser).

Ved opgivelse af type nr. der er angivet på maskinens effektskilt, kan De rekvirere en reservedelstegning, ved henvendelse til: AEG Electric Tools GmbH, Max-Eyth-Straße 10, D-71364 Winnenden, Germany.

**SYMBOLER**



Læs brugsanvisningen nøje før ibrugtagning.



Ved arbejde inden i maskinen, bør batteriet tages ud.



Elværktøj må ikke bortskaafes som almindeligt affald! I henhold til det europæiske direktiv 2002/96/EF om bortskaafelse af elektriske og elektroniske produkter og gældende national lovgivning skal brugt værktøj indsamles separat og bortskaafes på en måde, der skåner miljøet mest muligt.

**TEKNISKE DATA Batteridrevet slagbormaskin/skrutrekker**

	BS 14C	BSB 14C
Bor-ø i stål .....	13 mm	13 mm
Bor-ø i treverk .....	45 mm	45 mm
Bor-ø i tegl og kalksandstein .....	-	14 mm
Treskruer (uten forboring) .....	8 mm	8 mm
Tomgangsturtall i 1. gir .....	0-400 min <sup>-1</sup>	0-400 min <sup>-1</sup>
Tomgangsturtall i 2. gir .....	0-1500 min <sup>-1</sup>	0-1500 min <sup>-1</sup>
Lastslag tall maks .....	-	19500 min <sup>-1</sup>
Dreiemoment med vekselbatteri (1,5 Ah) *1 .....	43 Nm	43 Nm
Dreiemoment med vekselbatteri (3,0 Ah) *1 .....	47 Nm	47 Nm
Spenning vekselbatteri .....	14,4 V	14,4 V
Chuckspennområde .....	1,5-13 mm	1,5-13 mm
Vekt med vekselbatteri (1,5 Ah) .....	1,7 kg	1,78 kg
Vekt med vekselbatteri (3,0 Ah) .....	1,9 kg	1,98 kg

**Støy-/vibrasjonsinformasjon**

Måleverdier fastslått i samsvar med EN 60 745.

Det A-bedømte lydnivået til maskinen er:

Lydtrykknivå (K=3 dB(A)) .....	87,5 dB (A)	87,5 dB (A)
Lydefektnivå (K=3 dB(A)) .....	98,5 dB (A)	98,5 dB (A)

**Bruk hørselsvern!**

Totalt svingningsverdi (vektorsum fra tre retninger) beregnet jf. EN 60745.

Svingningsemisjonsverdi ah

Slagboring i betong .....	- m/s <sup>2</sup>	10,6 m/s <sup>2</sup>
Usikkerhet K= .....	- m/s <sup>2</sup>	1,5 m/s <sup>2</sup>
Boring i metall .....	< 2,5 m/s <sup>2</sup>	< 2,5 m/s <sup>2</sup>
Usikkerhet K= .....	1,5 m/s <sup>2</sup>	1,5 m/s <sup>2</sup>
Skruing .....	< 2,5 m/s <sup>2</sup>	< 2,5 m/s <sup>2</sup>
Usikkerhet K= .....	1,5 m/s <sup>2</sup>	1,5 m/s <sup>2</sup>

\*1 Målt etter AEG standard N 877318

**ADVARSEL**

Svingningsnivået som er angitt i denne instruksjonen er målt i overensstemmelse med målemetoden normert i direktiv EN 60745 og kan brukes til å sammenligne elektromaskiner med hverandre. Den egner seg også for en foreløbig vurdering av svingningsbelastningen.

Det angitte svingningsnivået representerer de hovedsaklige bruk av elektroverktøyet. Men anvendes elektroverktøyet for andre bruk med avvikende utskiftbare verktøy eller vedlikeholdet er utilstrekkelig, kan svingningsnivået være avvikende.

Dette kan forhøye svingningsbelastning betydelig over hele arbeidsperioden. For en nøyaktig vurdering av svingningsbelastningen må også det tas hensyn til tiden apparatet er avslått eller står på, men ikke er i bruk. Dette kan redusere svingningsbelastningen betydelig over hele arbeidsperioden.

Innfør også ekstra sikkerhetstiltak for å beskytte bruker mot utvirkingen av svingningene. Disse kan f.eks. være: vedlikehold av elektroverktøyet og det utskiftbare verktøyet, holde hendene varme, organisasjon av arbeidsforløpet.

**⚠ ADVARSEL! Les alle sikkerhetsinstruksjoner og bruksanvisninger, også de i den vedlagte brosjyren.** Feil ved overholdelsen av advarslene og nedenstående anvisninger kan medføre elektriske støt, brann og/eller alvorlige skader.  
**Ta godt vare på alle advarslene og informasjonene.**

**SPEIELLE SIKKERHETSHENVISNINGER**

**Bruk hørselsvern ved bruk av slagboret.** Støy kan føre til tap av hørselen.

**Bruk de med apparatet medleverte tileggshandtak.** Tap av kontrollen kan føre til skader.

**Hold apparatet i de isolerte holdeflatene, når det arbeides på steder hvor elektroverktøyet kan treffe skjulte strømløpninger.** Kontakt med en ledning som er under spenning, kan også sette metalldele til apparatet under spenning og føre til et elektrisk slag.

**Hold apparatet i de isolerte holdeflatene, når arbeid utføres hvor skruen kan treffe skjulte strømløpninger.** Kontakt av skruen med en strømførende ledning kan sette apparatets metalldele under spenning og føre til elektrisk slag.

Spon eller fliser må ikke fjernes mens maskinen er i gang.

Pass på kabler, gass- og vannledninger når du arbeider i vegger, tak eller gulv.

Ta ut vekselbatteriet før du arbeider på maskinen

Ikke kast brukte vekselbatterier i varmen eller husholdningsavfallet. AEG tilbyr en miljøriktig deponering av gamle vekselbatterier; vennligst spør din fagforhandler.

Ikke oppbevar vekselbatterier sammen med metallgjenstander (kortslutningsfare).

Vekselbatterier av systemet GBS skal kun lades med lader av systemet GBS. Ikke lad opp batterier fra andre systemer.

Under ekstreme belastninger og ekstreme temperaturer kan det lekke ut batterivæske fra utskiftbare batterier. Ved berøring med batterivæske, vask umiddelbart med såpe og vann. Ved kontakt med øynene må øynene skylles grundig i rennende vann i minst 10 minutter. Oppsøk lege umiddelbart.

**FORMÅLSMESSIG BRUK**

Batteri-elektronikk-slagboreskrutrekkeren kan brukes universelt til boring, slagboring og skruing uavhengig av nettilkopling.

Dette apparatet må kun brukes til de oppgitte formål.

**CE-SAMSVARERKLÆRING**

Vi erklærer på eget ansvar at dette produktet stemmer overens med de følgende normer eller normative dokumenter. EN 60745, EN 55014-1, EN 55014-2, i henhold til bestemmelsene i direktivene 2006/42/EF, 2004/108/EF



Winnenden, 2011-07-07

Rainer Kumpf  
Manager Product Development

Autorisert til å utarbeide den tekniske dokumentasjonen

**BATTERIER**

Nye vekselbatterier når sin fulle kapasitet etter 4-5 lade- og utladesyklus. Vekselbatterier som ikke er brukt over lengre tid skal etterlades før bruk.

En temperatur over 50°C reduserer vekselbatteriets kapasitet. Unngå oppvarming i sol eller ved varmeovner (fyring) i lengre tid.

Hold tilkopplingskontaktene på lader og vekselbatteri rene.

For en optimal levetid må batteriene etter bruk ladet helt opp.

For å sikre en lengst mulig brukstid av batteriene skal disse etter oppladning taes ut av laderen.

Ved lagring av batteriene lengre enn 30 dager:

Lagre batteriet tørt ved ca. 27°C.

Lagre batteriet ved en oppladningstilstand på ca. 30%-50%.

Lade opp batteriet igjen etter 6 måneder.

**OVERBELASTNINGSVERN FOR OPPLADBARE BATTERIER**

Batteripakken er utstyrt med overbelastningsvern som beskytter det oppladbare batteriet mot overbelastning og sikrer en lang levetid.

Ved ekstrem høy belastning kobler maskinens batterielektronikk seg automatisk ut. For å fortsette å arbeide må maskinen slås av og så på igjen. Starter maskinen ikke igjen er batteripakken muligens utladet og må lades opp igjen i laderen.

**VEDLIKEHOLD**

Bruk kun AEG tilbehør og reservedeler. Komponenter der utskiftning ikke er beskrevet skal skiftes ut hos AEG kundeservice (se brosjyre garanti/kundeserviceadresser).

Ved behov kan du be om en eksplosjonstegning av apparatet hos din kundeservice eller direkte hos AEG Electric Tools GmbH, Max-Eyth-Straße 10, D-71364 Winnenden, Germany. Oppgi maskintype og det tisifrete nummeret på typeskiltet.

**SYMBOLER**

Les nøye gjennom bruksanvisningen før maskinen tas i bruk.



Ta ut vekselbatteriet før du arbeider på maskinen



Kast aldri elektroverktøy i husholdningsavfallet! I henhold til EU-direktiv 2002/96/EF om kasserte elektriske og elektroniske produkter og direktivets iverksetting i nasjonal rett, må elektroverktøy som ikke lenger skal brukes, samles separat og returneres til et miljøvennlig gjenvinningsanlegg.

**TEKNISKA DATA Batteridriven slagbormaskin/skruvdragare BS 14C BSB 14C**

Borddiam. in stål.....	13 mm	13 mm
Borddiam. in trä.....	45 mm	45 mm
Borddiam. tegel, kalksten.....	14 mm	14 mm
Tråskruvning (utan förbormning).....	8 mm	8 mm
Obelastat varvtal 1:a växel.....	0-400 min <sup>-1</sup>	0-400 min <sup>-1</sup>
Obelastat varvtal 2:a växel.....	0-1500 min <sup>-1</sup>	0-1500 min <sup>-1</sup>
Belastat slagtal max.....	19500 min <sup>-1</sup>	19500 min <sup>-1</sup>
Vridmoment med batteri (1,5 Ah) *1.....	43 Nm	43 Nm
Vridmoment med batteri (3,0 Ah) *1.....	47 Nm	47 Nm
Batterispänning.....	14,4 V	14,4 V
Chuckens spännområde.....	1,5-13 mm	1,5-13 mm
Vikt enligt EPTA 01/2003 (1,5 Ah).....	1,7 kg	1,78 kg
Vikt enligt EPTA 01/2003 (3,0 Ah).....	1,9 kg	1,98 kg

**Ljud-/vibrationsdata**

Mätvärdena har tagits fram baserade på EN 60 745.

A-värdet av maskinens ljudtrycksnivå är

Ljudtrycksnivå (K=3 dB(A)).....	87,5 dB (A)	87,5 dB (A)
Ljudeffektsnivå (K=3 dB(A)).....	98,5 dB (A)	98,5 dB (A)

**Använd hörselskydd!**

Totala vibrationsvärden (vektorsumma ur tre riktningar) framtaget enligt EN 60745.

Vibrationsemissionsvärde ah

Slagborrning i betong.....	- m/s <sup>2</sup>	10,6 m/s <sup>2</sup>
Onoggrannhet K=.....	- m/s <sup>2</sup>	1,5 m/s <sup>2</sup>
Borrning i metall.....	< 2,5 m/s <sup>2</sup>	< 2,5 m/s <sup>2</sup>
Onoggrannhet K=.....	1,5 m/s <sup>2</sup>	1,5 m/s <sup>2</sup>
Skruvning.....	< 2,5 m/s <sup>2</sup>	< 2,5 m/s <sup>2</sup>
Onoggrannhet K=.....	1,5 m/s <sup>2</sup>	1,5 m/s <sup>2</sup>

\*1 Uppmätt enligt AEG Standard N 877318

**VARNING**

Den i de här anvisningarna angivna vibrationsnivån har uppmätts enligt ett i EN 60745 normerat mätförfarande och kan användas vid jämförelse mellan olika elverktyg. Nivån är även lämplig att använda vid en preliminär bedömning av vibrationsbelastningen.

Den angivna vibrationsnivån representerar den huvudsakliga användningen av det aktuella elverktyget. Men om elverktyget ska användas i andra användningsområden, tillsammans med avvikande insatsverktyg eller efter otillräckligt underhåll, kan vibrationsnivån skilja sig. Det kan öka vibrationsbelastningen betydligt under hela arbetstiden.

För att få en exaktare bedömning av vibrationsbelastningen ska även den tid beaktas, under vilken elverktyget är avstängt eller är påslaget, utan att det verkligen används. Det kan reducera vibrationsbelastningen betydligt under hela arbetstiden.

Lägg som skydd för användaren fast extra säkerhetsåtgärder mot vibrationernas verkan, som till exempel: underhåll av elverktyg och insatsverktyg, varmhållning av händer och organisering av arbetsförlopp.

**⚠ VARNING! Läs alla säkerhetsanvisningar och andra tillhörande anvisningar, även de i den medföljande broschyren.** Fel som uppstår till följd av att anvisningarna nedan inte följts kan orsaka elstöt, brand och/eller allvarliga kroppsskador.

**Förvara alla varningar och anvisningar för framtida bruk.**

**SÄKERHETSUTRUSTNING**

**Använd alltid hörselskydd när du använder en slagbormaskin.** Buller kan leda till att du förlorar hörseln.

**Använd de extrahandtag som levereras tillsammans med maskinen.** Förlust av kontrollen kan leda till personskador.

**Håll fast apparaten med hjälp av de isolerade greppytorna när du utför arbeten där arbetsverktyget skulle kunna träffa på dolda elledningar.** Om man kommer i kontakt med en spänningsförande ledning, så kan även de delar på verktyget som är av metall bli spänningsförande och leda till att man får en elektrisk stöt.

**Håll apparaten i de isolerade greppytorna när ni utför arbeten där skruven kan träffa dolda elkablar.** Skruvens kontakt med en strömförande ledning kan sätta apparatdelar av metall under spänning och leda till elektrisk stöt.

Avlägsna aldrig spån eller flisor när maskinen är igång.

Vid arbetenborrning i vägg, tak eller golv, var alltid observant på befintliga el-, gas- eller vattenledningar.

Drag ur batteripaket innan arbete utföres på maskinen.

Kasta inte förbrukade batterier. Lämna dem till AEG Tools för återvinning.

Förvara ej batteriet ihop med metallföremål, kortslutning kan uppstå.

System GBS batterier laddas endast i System GBS laddare. Ladda inte batterier från andra system.

Under extrem belastning eller extrem temperatur kan batterivätska tränga ut ur skadade utbytesbatterier. Vid beröring med batterivätska tvätta genast av med vatten och tvål. Vid ögonkontakt spola genast i minst 10 minuter och kontakta genast läkare.

**ANVÄND MASKINEN ENLIGT ANVISNINGARNA**

Denna Akku-elektronikmaskin är användbar för både borring, slagborrning och skruvning.

Maskinen får endast användas för angiven tillämpning.

**CE-FÖRSÄKRAN**

Vi intygar och ansvarar för, att denna produkt överensstämmer med följande norm och dokument EN 60745, EN 55014-1, EN 55014-2, enl. bestämmelser och riktlinjerna 2006/42/EG, 2004/108/EG



Winnenden, 2011-07-07

Rainer Kumpf  
Manager Product Development

Befullmäktigad att sammanställa teknisk dokumentation.

**BATTERIER**

Nya batterier uppnår max effekt efter 4-5 laddningscykler. Batteri som ej använts på länge måste laddas före nytt bruk.

En temperatur över 50°C reducerar batteriets effekt. Undvik längre uppvärmning tex i solen eller nära ett element.

Se till att anslutningskontaktarna i laddaren och på batteriet är rena.

För en optimal livslängd ska batterierna laddas helt igen efter användningen.

För att få en så lång livslängd som möjligt bör laddningsbara batterier avlägsnas från laddaren när de är laddade.

Om laddningsbara batterier lagras längre än 30 dagar:

Lagra batteriet torrt och vid ca 27°C.

Lagra batteriet vid ca 30%-50% av laddningskapaciteten.

Ladda batterierna på nytt var 6:e månad.

**BATTERI-ÖVERBELASTNINGSSKYDD**

Batteripaketet är utrustat med ett överlastskydd som skyddar batteriet mot överbelastning och därmed säkerställer en lång livslängd.

Vid extremt stark belastning stänger batterielektroniken av maskinen automatiskt. Stäng först av och slå sedan på maskinen igen för att fortsätta att arbeta. Skulle maskinen inte starta igen, är batteripaketet kanske urladdat och måste på laddas upp igen i laddaren.

**SKÖTSEL**

Använd endast AEG tillbehör och reservdelar. Reservdelar vars utbyte ej beskrivs bytes bäst av AEG auktoriserad serviceverkstad (se broschyr Garanti/Kundtjänstadresser).

Vid behov av sprängskiss, kan en sådan, genom att uppge maskinens art. nr. (som finns på typskylten) erhållas från: AEG Electric Tools GmbH, Max-Eyth-Straße 10, D-71364 Winnenden, Germany.

**SYMBOLER**

Läs instruktionen noga innan du startar maskinen.



Drag ur batteripaket innan arbete utföres på maskinen.



Elektriska verktyg får inte kastas i hushållsspoma! Enligt direktivet 2002/96/EG som avser äldre elektrisk och elektronisk utrustning och dess tillämpning enligt nationell lagstiftning ska uttjänta elektriska verktyg sorteras separat och lämnas till miljövänlig återvinning.

**TEKNISET ARVOT Akku-iskuporakone/ruuvinkierrin BS 14C BSB 14C**

Poran ø teräkseen .....	13 mm	13 mm
Poran ø puuhun .....	45 mm	45 mm
Poran ø tiiliin ja kalkkikivekkiviin .....	14 mm	14 mm
Puuruuvi (ilman esiporausta) .....	8 mm	8 mm
Kuormittamaton kierrosluku 1. vaihteella .....	0-400 min <sup>-1</sup>	0-400 min <sup>-1</sup>
Kuormittamaton kierrosluku 2. vaihte .....	0-1500 min <sup>-1</sup>	0-1500 min <sup>-1</sup>
Kuormitettu iskutaajuus maks. ....	-	19500 min <sup>-1</sup>
Vääntömomentti vaihtoakkuineen (1,5 Ah) *1 .....	43 Nm	43 Nm
Vääntömomentti vaihtoakkuineen (3,0 Ah) *1 .....	47 Nm	47 Nm
Jännite vaihtoakku .....	14,4 V	14,4 V
Istukan aukeama .....	1,5-13 mm	1,5-13 mm
Paino EPTA-menettelyn 01/2003 mukaan (1,5 Ah) .....	1,7 kg	1,78 kg
Paino EPTA-menettelyn 01/2003 mukaan (3,0 Ah) .....	1,9 kg	1,98 kg

**Melu-/tärinätieto**

Mitta-arvot määritetty EN 60 745 mukaan.

Yleensä työkalun A-luokan melutaso

Melutaso (K=3dB(A)) .....	87,5 dB (A)	87,5 dB (A)
Äänenvoimakkuus (K=3dB(A)) .....	98,5 dB (A)	98,5 dB (A)

**Käytä kuulosuojaimia!**

Värähtelyn yhteisarvot (kolmen suunnan vektorisumma) mitattuna EN 60745 mukaan.

Värähtelyemissioarvo ah

Betonin iskuporaaminen .....	- m/s <sup>2</sup>	10,6 m/s <sup>2</sup>
Epävarmuus K= .....	- m/s <sup>2</sup>	1,5 m/s <sup>2</sup>
Metallin poraaminen .....	< 2,5 m/s <sup>2</sup>	< 2,5 m/s <sup>2</sup>
Epävarmuus K= .....	1,5 m/s <sup>2</sup>	1,5 m/s <sup>2</sup>
Ruuvinvääntö .....	< 2,5 m/s <sup>2</sup>	< 2,5 m/s <sup>2</sup>
Epävarmuus K= .....	1,5 m/s <sup>2</sup>	1,5 m/s <sup>2</sup>

\*1 Mitattu AEG normin N 877318 mukaan

**VAROITUS**

Näissä ohjeissa mainittu värähtelytaso on mitattu EN 60745 -standardin mukaisella mittausmenetelmällä ja sitä voidaan käyttää sähkötyökalujen vertaamiseen. Sitä voidaan käyttää myös värähtelyrasituksen väliaikaiseen arviointiin.

Mainittu värähtelytaso edustaa sähkötyökalun pääasiallista käyttöä. Jos sähkötyökalua kuitenkin käytetään muihin tehtäviin, poikkeavien työkaluun tai riittämättömästi huoltoaen, värähtelytaso voi olla erilainen. Se voi korottaa värähtelyrasitusta koko työajan osalta.

Tarkan värähtelyrasituksen toteamiseen tulee ottaa huomioon aika, jona laite on kytketty pois tai on kylläkin päällä, mutta ei käytössä. Se voi pienentää värähtelyrasitusta koko työajan osalta.

Määrittele lisäturvatoimenpiteitä käyttäjän suojaamiseksi värinöiden vaikutukselta, kuten esimerkiksi: sähkötyökalujen ja käyttötyökalujen huolto, käsien lämpiminä pitäminen, työvaiheiden organisaatio.

**VAROITUS! Lue kaikki, myös oheistetussa esitteessä annetut turvallisuusmääräykset ja käyttöohjeet.** Turvallisuusohjeiden noudattamisen laiminlyönti saattaa johtaa sähköiskuun, tulipaloon ja/tai vakavaan loukkaantumiseen.  
**Säilytä kaikki turvallisuus- ja muut ohjeet tulevaisuutta varten.**

**TURVALLISUUSOHJEET**

**Käytä kuulonsuojaimia iskuporattaessa.** Melulle altistuminen voi heikentää kuuloa.

**Käytä koneen mukana toimitettua apukahvaa.** Koneen hallinnan menetys saattaa aiheuttaa henkivahinkoja.

**Pitele laitetta vain eristetyistä tarttumapinnoista, kun suoritat sellaisia töitä, joissa leikkaustyökalu saattaa osua piilossa oleviin sähköjohtoihin.** Leikkaustyökalun yhteys jännitteelliseen johtoon saattaa tehdä laitteen metalliset osat jännitteellisiksi ja aiheuttaa sähköiskun.

**Pitele laitteesta kiinni sen eristetyistä kahvoista suorittaessasi töitä, joiden aikana ruuvi saattaa osua piilossa oleviin sähköjohtoihin.** Ruuvin kosketus jännitteelliseen johtoon saattaa tehdä laitteen metalliosat jännitteellisiksi ja aiheuttaa sähköiskun.

Lastuja tai puruja ei saa poistaa koneen käydessä.

Varo seinään, kattoon tai lattiaan porattaessa osumasta sähköjohtoon, kaasu- ja vesijohtoihin.

Ota akku pois ennen kaikkia koneeseen tehtäviä toimenpiteitä.

Käytettyjä vaihtoakkuja ei saa polttaa eikä poistaa normaalin jätehuollon kautta. AEG on tarjolla vanhoja vaihtoakkuja varten ympäristöystävällinen jätehuoltopalvelu.

Vaihtoakkuja ei saa säilyttää yhdessä metalliesineiden kanssa (oikosulkuvaara).

Käytä ainoastaan System GBS latauslaitetta System GBS akkujen lataukseen. Älä käytä muiden järjestelmien akkuja.

Vaurioituneesta akusta saattaa erityisen kovassa käytössä tai poikkeavassa lämpötilassa vuotaa akkuhappoa .

Ihonohta, joka on joutunut kosketukseen akkuhapon kanssa on viipymättä pestävä vedellä ja saippualla. Silmä, johon on joutunut akkuhappoa, on huuhdeltava vedellä vähintään 10 minuutin ajan, jonka jälkeen on viipymättä hakeuduttava lääkärin apuun.

**TARKOITUKSEN MUKAINEN KÄYTTÖ**

Elektronisella akkuiskuporakoneella voi porata, iskuporata ja ruuvata ilmanverkkojohtoa. Koneessa on seuraavat ominaisuudet:

Älä käytä tuotetta ohjeiden vastaisesti.

**TODISTUS CE-STANDARDIN MUKAISUUDESTA**

Todistamme täten ja vastaamme yksin siitä, että tämä tuote on allalueteltujen standardien ja standardoimisasiakirjojen vaatimusten mukainen. EN 60745, EN 55014-1, EN 55014-2, seuraavien sääntöjen mukaisesti: 2006/42/EY, 2004/108/EY



Winnenden, 2011-07-07

*Rainer Kumpf*

Rainer Kumpf  
Manager Product Development

Valtuutettu kokoamaan tekniset dokumentit.

**AKKU**

Uudet vaihtoakut saavuttavat täyden varauskyvyn 4-5 latauksen ja purkauksen jälkeen. Pitkään käyttämättä olleet vaihtoakut on ladattava ennen käyttöä.

Yli 50°C lämpötilassa akun suorituskyky heikkenee.

Vältäthän akkujen säilyttämistä auringossa tai kuumissa tiloissa.

Pidä aina latauslaitteen ja akun kosketinpinnat puhtaina.

Akut on ladattava täyteen käytön jälkeen optimaalisen elinajan säilyttämiseksi.

Mahdollisimman pitkän elinajan takaamiseksi akut tulee poistaa laturista lataamisen jälkeen.

Akkuja yli 30 päivää säilytettäessä:

Säilytä akku yli 27 °C:ssa ja kuivassa.

Säilytä akku sen latauksen ollessa 30 % - 50 %.

Lataa akku 6 kuukauden välein uudelleen.

**AKUN YLIKUORMITUSSUOJAUS**

Akkusarja on varustettu ylikuormitusuojalla, joka suojaa akkua ylikuormitukselta ja varmistaa sen pitkän elinkaaren. Äärimmäisrasituksessa akkuelektronikka sammuttaa koneen automaattisesti. Työn jatkamiseksi kone kytketään pois ja sitten jälleen päälle. Jos kone ei käynnisty uudelleen, niin akkusarja saattaa olla tyhjentyneenä ja se täytyy ladata uudelleen latauslaitteella.

**HUOLTO**

Käytä vain AEG:n lisälaitteita ja varaosia. Käytä ammattitaitoisten AEG-huoltosopimusliikkeiden palveluja muiden kuin käyttöohjeessa kuvattujen osien vaihdossa. (esite takuu/huoltoliikeluettelo).

Tarpeen vaatiessa voit pyytää lähettämään laitteen kokoonpanopiirustuksen ilmoittamalla arvokilven kymmennumeroisen numeron seuraavasta osoitteesta: AEG Electric Tools GmbH, Max-Eyth-Straße 10, D-71364 Winnenden, Germany.

**SYMBOLIT**

Lue käyttöohjeet huolellisesti, ennen koneen käynnistämistä.



Ota akku pois ennen kaikkia koneeseen tehtäviä toimenpiteitä.



Älä hävitä sähkötyökalua tavallisen kotitalousjätteen mukana! Vanhoja sähkö- ja elektroniikkalaitteita koskevan EU-direktiivin 2002/96/ETY ja sen maakohtaisten sovellusten mukaisesti käytetyt sähkötyökalut on toimitettava ongelmajätteen keräyspisteeseen ja ohjattava ympäristöystävälliseen kierrätykseen.

ΤΕΧΝΙΚΑ ΣΤΟΙΧΕΙΑ Κρουστικό δραπανοκατασβίδιο μπαταρίας	BS 14C	BBS 14C
Ø τρύπας σε χάλυβα .....	13 mm	13 mm
Ø τρύπας σε ξύλο .....	45 mm	45 mm
Ø τρύπας σε τούβλο και ασβεστόλιθο .....	14 mm	14 mm
Ευλόβιδες (χωρίς προδιάτρηση) .....	8 mm	8 mm
Αριθμός στροφών χωρίς φορτίο στην 1η ταχύτητα .....	0-400 min <sup>-1</sup>	0-400 min <sup>-1</sup>
Αριθμός στροφών χωρίς φορτίο στη 2η ταχύτητα .....	0-1500 min <sup>-1</sup>	0-1500 min <sup>-1</sup>
Μέγιστος αριθμός κρούσεων με φορτίο .....	19500 min <sup>-1</sup>	19500 min <sup>-1</sup>
Ροπή στρέψης με ανταλλακτική μπαταρία (1,5 Ah) *1 .....	43 Nm	43 Nm
Ροπή στρέψης με ανταλλακτική μπαταρία (3,0 Ah) *1 .....	47 Nm	47 Nm
Τάση ανταλλακτικής μπαταρίας .....	14,4 V	14,4 V
Περιοχή σύσφιξης του τοοκ .....	1,5-13 mm	1,5-13 mm
Βάρος σύμφωνα με τη διαδικασία EPTA 01/2003 (1,5 Ah) ....	1,7 kg	1,78 kg
Βάρος σύμφωνα με τη διαδικασία EPTA 01/2003 (3,0 Ah) ....	1,9 kg	1,98 kg

### Πληρρίες για θρυ και δνήσεις

Τιμές μέτρησης εξακριβωμένες κατά EN 60 745.

Τυπική Α αξιολογημένη στάθμη θορύβου:

Στάθμη ηχητικής πίεσης (K=3dB(A)).....	87,5 dB (A)	87,5 dB (A)
Στάθμη ηχητικής ισχύος (K=3dB(A)).....	98,5 dB (A)	98,5 dB (A)

### Φοράτε προστασία ακοής (ωτασπίδες)!

Υλικές τιμές κραδασμών (άθροισμα διανυσμάτων τριών διευθύνσεων) εξακριβώθηκαν σύμφωνα με τα πρότυπα EN 60745.

Τιμή εκπομπής δονήσεων ah		
Κρουστικό τρυπάνι σε μπετόν .....	- m/s <sup>2</sup>	10,6 m/s <sup>2</sup>
Ανασφάλεια K= .....	- m/s <sup>2</sup>	1,5 m/s <sup>2</sup>
Τρύπες σε μέταλλο .....	< 2,5 m/s <sup>2</sup>	< 2,5 m/s <sup>2</sup>
Ανασφάλεια K= .....	1,5 m/s <sup>2</sup>	1,5 m/s <sup>2</sup>
Βίδωμα .....	< 2,5 m/s <sup>2</sup>	< 2,5 m/s <sup>2</sup>
Ανασφάλεια K= .....	1,5 m/s <sup>2</sup>	1,5 m/s <sup>2</sup>

\*1 Μετρημένη σύμφωνα με το πρότυπο της AEG N 877318.

### ΠΡΟΕΙΔΟΠΟΙΗΣΗ

Το αναφερόμενο σ' αυτές τις οδηγίες επίπεδο δονήσεων έχει μετρηθεί με μια τυποποιημένη σύμφωνα με το EN 60745 μέθοδο μέτρησης και μπορεί να χρησιμοποιηθεί για τη σύγκριση των ηλεκτρικών εργαλείων μεταξύ τους. Αυτό είναι επίσης κατάλληλο για μια προσωρινή εκτίμηση της επιβάρυνση των δονήσεων.

Το αναφερόμενο επίπεδο δονήσεων αντιπροσωπεύει τις κύριες χρήσεις του ηλεκτρικού εργαλείου. Εάν όμως το ηλεκτρικό χρησιμοποιείται σε άλλες χρήσεις, με διαφορετικά εργαλεία εφαρμογής ή ανεπαρκή συντήρηση, μπορεί να υπάρξει απόκλιση του επιπέδου δονήσεων. Αυτό μπορεί να αυξήσει σημαντικά την επιβάρυνση των δονήσεων για τη συνολική διάρκεια της εργασίας.

Για μια ακριβή εκτίμηση της επιβάρυνσης των δονήσεων οφείλουν επίσης να λαμβάνονται υπόψη οι χρόνοι, στους οποίους η συσκευή είναι απενεργοποιημένη ή είναι μεν ενεργοποιημένη αλλά δεν χρησιμοποιείται πραγματικά. Αυτό μπορεί να μειώσει σημαντικά την επιβάρυνση των δονήσεων για τη συνολική διάρκεια της εργασίας.

Καθορίζετε πρόσθετα μέτρα ασφαλείας για την προστασία του χειριστή από την επίδραση των δονήσεων όπως για παράδειγμα: Συντήρηση του ηλεκτρικού εργαλείου και των εργαλείων εφαρμογής, διατηρείτε ζεστά τα χέρια, οργάνωση των διαδικασιών εργασίας.

**⚠ ΠΡΟΕΙΔΟΠΟΙΗΣΗ! Διαβάστε όλες τις Υποδείξεις ασφαλείας και τις Οδηγίες, και αυτές στο επισυναπτόμενο φυλλάδιο.** Αμέλειες κατά την τήρηση των προειδοποιητικών υποδείξεων μπορεί να προκαλέσουν ηλεκτροπληξία, κίνδυνο πυρκαγιάς ή/και σοβαρούς τραυματισμούς.

**Φυλάξτε όλες τις προειδοποιητικές υποδείξεις και οδηγίες για κάθε μελλοντική χρήση.**

### ΕΙΔΙΚΕΣ ΥΠΟΔΕΙΞΕΙΣ ΑΣΦΑΛΕΙΑΣ

**Κατά την κρουστική διάτρηση φοράτε ωτασπίδες.** Η επίδραση του θορύβου μπορεί να προκαλέσει απώλεια ακοής.

**Χρησιμοποιείτε με τη συσκευή τις προμηθευόμενες πρόσθετες χειρολαβές.** Η απώλεια ελέγχου μπορεί να οδηγήσει σε τραυματισμό.

**Να πιάνετε τη συσκευή στις μονωμένες χειρολαβές όταν εκτελείτε εργασίες κατά τις οποίες τα κοπτικά εργαλεία θα μπορούσαν να πέσουν επάνω σε κρυμμένα καλώδια ρεύματος.** Η επαφή των κοπτικών εργαλείων με αγωγό τροφοδοσίας τάσης μπορεί να θέσει τα μεταλλικά τμήματα της συσκευής υπ'όταση και να προκαλέσει ηλεκτροπληξία.

**Κρατάτε τη συσκευή από τις μονωμένες επιφάνειες συγκράτησης, όταν εκτελείτε εργασίες, στις οποίες η βίδα θα μπορούσε να έρθει σε επαφή με κρυφούς**

επαφή με υγρό μπαταρίας να πλυθείτε αμέσως με νερό και σαπούνι. Σε περίπτωση επαφής με τα μάτια να πλυθείτε σχολαστικά για τουλάχιστον 10 λεπτά και να αναζητήσετε αμέσως ένα γιατρό.

### ΧΡΗΣΗ ΣΥΜΦΩΝΑ ΜΕ ΤΟ ΣΚΟΠΟ ΠΡΟΟΡΙΣΜΟΥ

Το ηλεκτρικό κρουστικό δραπανοκατασβίδιο μπαταρίας μπορεί να χρησιμοποιηθεί γενικά για τρύπημα, τρύπημα με κρούση και βίδωμα ανεξάρτητα από μια σύνδεση στο ηλεκτρικό δίκτυο.

Αυτή η συσκευή επιτρέπεται να χρησιμοποιηθεί μόνο σύμφωνα με τον αναφερόμενο σκοπό προορισμού.

### ΔΗΛΩΣΗ ΠΙΣΤΟΤΗΤΑΣ ΕΚ

Δηλώνουμε με αποκλειστική μας ευθύνη, ότι αυτό το προϊόν ανταποκρίνεται στα ακόλουθα πρότυπα ή έγγραφα τυποποίησης. EN 60745, EN 550 14-1, EN 550 14-2, σύμφωνα με τις διατάξεις των οδηγιών 2006/42/ΕΚ 2004/108/ΕΚ



Winnenden, 2011-07-07

*Rainer Kumpf*

Rainer Kumpf  
Manager Product Development

Εξουσιοδοτημένος να συντάξει τον τεχνικό φάκελο.

### ΜΠΑΤΑΡΙΕΣ

Οι νέες ανταλλακτικές μπαταρίες φθάνουν στην πλήρη χωρητικότητά τους μετά από 4-5 κύκλους φόρτισης και εκφόρτισης. Επαναφορτίζετε τις ανταλλακτικές μπαταρίες που δεν έχουν χρησιμοποιηθεί για μεγαλύτερο χρονικό διάστημα πριν τη χρήση.

Μια θερμοκρασία πάνω από 50°C μειώνει την ισχύ της ανταλλακτικής μπαταρίας. Αποφεύγετε τη θέρμανση για μεγαλύτερο χρονικό διάστημα από τον ήλιο ή τις συσκευές θέρμανσης.

Διατηρείτε τις επαφές σύνδεσης στο φορτιστή και στην ανταλλακτική μπαταρία καθαρές.

Για μια άριστη διάρκεια ζωής πρέπει μετά τη χρήση οι μπαταρίες να φορτιστούν πλήρως.

Για μια κατά το δυνατόν μεγάλη διάρκεια ζωής οι μπαταρίες μετά τη φόρτιση οφείλουν να αφαιρεθούν από το φορτιστή.

Για την αποθήκευση της μπαταρίας για διάστημα μεγαλύτερο των 30 ημερών:

Αποθηκεύετε τη μπαταρία περ. στους 27°C σε στεγνό χώρο. Αποθηκεύετε τη μπαταρία περ. στο 30%-50% της κατάστασης φόρτισης. Κάθε 6 μήνες φορτίζετε εκ νέου τη μπαταρία.

### ΠΡΟΣΤΑΣΙΑ ΥΠΕΡΦΟΡΤΩΣΗΣ ΤΗΣ ΜΠΑΤΑΡΙΑΣ

Το πακέτο μπαταρίας είναι εξοπλισμένο με μια προστασία υπερφόρτωσης, η οποία προστατεύει τη μπαταρία από υπερφόρτωση και εξασφαλίζει μια μεγάλη διάρκεια ζωής. Σε ιδιαίτερα υψηλή καταπόνηση ο ηλεκτρονικός εξοπλισμός της μπαταρίας απενεργοποιεί αυτόματα τη μηχανή. Για να συνεχίσετε την εργασία απενεργοποιείτε και ενεργοποιείτε πάλι τη μηχανή. Εάν δεν ξεκινήσει πάλι η μηχανή, πιθανά το πακέτο μπαταρίας να είναι άδειο και θα πρέπει να φορτιστεί εκ νέου στη συσκευή φόρτισης.

### ΣΥΝΤΗΡΗΣΗ

Χρησιμοποιείτε μόνο εξαρτήματα και ανταλλακτικά της AEG. Αναθέστε την αλλαγή των εξαρτημάτων, των οποίων η αντικατάσταση δεν έχει περιγραφεί, σ' ένα κέντρο σέρβις της AEG (προσέξτε το χειρίδιο Εγγύηση/Διευθύνσεις εξυπηρέτησης πελατών).

Όταν χρειάζεται, μπορείτε να ζητήσετε ένα σχέδιο συναρμολόγησης της συσκευής, δίνοντας τον τύπο της μηχανής και το δεκαψήφιο αριθμό στην πινακίδα ισχύος, από το κέντρο σέρβις ή απευθείας από τη φίρμα AEG Electric Tools GmbH, Max-Eyth-Sträe 10, D-71364 Winnenden, Germany.

### ΣΥΜΒΟΛΑ



Παρακαλώ διαβάστε σχολαστικά τις οδηγίες χρήσης πριν από την έναρξη λειτουργίας.



Πριν από κάθε εργασία στη μηχανή αφαιρείτε την ανταλλακτική μπαταρία.



Μην πετάτε τα ηλεκτρικά εργαλεία στον κάδο οικιακών απορριμμάτων! Σύμφωνα με την ευρωπαϊκή οδηγία 2002/96/ΕΚ περί ηλεκτρικών και ηλεκτρονικών συσκευών και την ενσωμάτωσή της στο εθνικό δίκαιο, τα ηλεκτρικά εργαλεία πρέπει να συλλέγονται ξεχωριστά και να πιστρέφονται για ανακύκλωση με τρόπο φιλικό προς το περιβάλλον.

**TEKNİK VERİLER**

Vurmalı akü matkap vidası	BS 14C	BSS 14C
Delme çapı çelikte .....	13 mm	13 mm
Delme çapı tahta .....	45 mm	45 mm
Delme çapı tuğla ve kireçli kum taşı .....	14 mm	14 mm
Ağaç vidaları (kılavuz deliksiz) .....	8 mm	8 mm
Boştaki devir sayısı 1. Viteste .....	0-400 min <sup>-1</sup>	0-400 min <sup>-1</sup>
Boştaki devir sayısı 2. Vites .....	0-1500 min <sup>-1</sup>	0-1500 min <sup>-1</sup>
Yükteki maksimum darbe sayısı .....	-	19500 min <sup>-1</sup>
Tork Kartuş akülü (1,5 Ah) *1 .....	43 Nm	43 Nm
Tork Kartuş akülü (3,0 Ah) *1 .....	47 Nm	47 Nm
Kartuş akü gerilimi .....	14,4 V	14,4 V
Mandren kapasitesi .....	1,5-13 mm	1,5-13 mm
Ağırlığı ise EPTA-üretici 01/2003'e göre (1,5 Ah) .....	1,7 kg	1,78 kg
Ağırlığı ise EPTA-üretici 01/2003'e göre (3,0 Ah) .....	1,9 kg	1,98 kg

**Gürültü ve titreşim önleme hakkında bilgi**

Ölçüm değerleri EN 60 745 e göre belirlenmektedir.  
Aletin A değerlendirmeli gürültü seviyesi tipik olarak şu  
değerdedir:

Ses basıncı seviyesi (K=3 dB(A)) .....	87,5 dB (A)	87,5 dB (A)
Akustik kapasite seviyesi (K=3 dB(A)) .....	98,5 dB (A)	98,5 dB (A)

**Koruyucu kulaklık kullanın!**

Toplam titreşim değeri (üç yönün vektör toplamı) EN 60745'e  
göre belirlenmektedir:

titreşim emisyon değeri ah

Darbeli beton delme .....	- m/s <sup>2</sup>	10,6 m/s <sup>2</sup>
Tolerans K= .....	- m/s <sup>2</sup>	1,5 m/s <sup>2</sup>
Metal delme .....	< 2,5 m/s <sup>2</sup>	< 2,5 m/s <sup>2</sup>
Tolerans K= .....	1,5 m/s <sup>2</sup>	1,5 m/s <sup>2</sup>
Vida ile tutturma .....	< 2,5 m/s <sup>2</sup>	< 2,5 m/s <sup>2</sup>
Tolerans K= .....	1,5 m/s <sup>2</sup>	1,5 m/s <sup>2</sup>

\*1 AEG Standard N 877318'e göre ölçülmüştür.

**UYARI**

Bu talimatlarda belirtilen titreşim seviyesi, EN 60745 standardına uygun bir ölçme metodu ile ölçülmüştür ve elektrikli el aletleri  
birbirine karşılaştırmak için kullanılabilir. Ölçüm sonuçları ayrıca titreşim yükünün geçici değerlendirmesi için de uygundur.

Belirtilen titreşim seviyesi, elektrikli el aletinin genel uygulamaları için geçerlidir. Ancak elektrikli el aleti başka uygulamalar için,  
farklı eklenti parçalarıyla ya da yetersiz bakım koşullarında kullanılırsa, titreşim seviyesi farklılık gösterebilir. Bu durumda,  
titreşim yükü toplam çalışma zaman aralığı içerisinde belirgin ölçüde yükselebilir.

Titreşim yükünün tam bir değerlendirmesi için ayrıca cihazın kapalı olduğu süreler ve cihazın çalışır durumda olduğu, ancak  
gerçek kullanımda bulunmadığı süreler de dikkate alınmalıdır. Böylelikle, toplam çalışma zamanı aralığı boyunca meydana  
gelen titreşim yükü belirgin ölçüde azaltılabilir.

Kullanıcıyı titreşimlerin etkisinden korumak üzere, örneğin elektrikli el aletlerinin ve eklenti parçalarının bakımı, ellerin sıcak  
tutulması ve iş akışlarının organizasyonu gibi ek güvenlik tedbirleri belirleyiniz.

**UYARI! Güvenlikle ilgili bütün açıklamaları, talimatları ve ilişikteki broşürde yazılı bulunan hususları okuyunuz.** Açıklanan uyarılara ve talimat hükümlerine uyulmadığı takdirde elektrik çarpmalarına, yangınlara ve/veya ağır yaralanmalara neden olunabilir.  
**Bütün uyarıları ve talimat hükümlerini ilerde kullanmak üzere saklayın.**

**GÜVENLİĞİNİZ İÇİN TALİMATLAR**

**Tepmeli matkap olarak işitme için koruma cihazı taşıyınız.** Gürültü etkisi işitme kaybını etkiler.

**Aletle birlikte teslim edilen ek tutamakları kullanın.** Aletin kontrolden çıkması kazalara neden olabilir.

**Kesme aletinin eğrilmiş elektrik kabloları isabet eden çalışmalar yapılırken cihazı izole edilmiş kollarından tutun.** Kesme aletinin içinden elektrik akımı geçen kablo ile temas etmesi durumunda elektrik akımı cihazın metal kısımlarına geçer ve elektrik çarpmasına sebebiyet verebilir.

Vidayı bükün ve elektrik hattına maruz kalabilen çalışmalar yaparken cihazın izole edilmiş bulunan tutacak kolundan tutun. Voltaj altında kalan vida ile temas edilmesi, metal cihaz parçalarına elektrik akımı verebilir ve bu da elektrik çarpmasına neden ol

Alet çalışır durumda iken talaş ve kırpıntıları temizlemeye çalışmayın.

Duvar, tavan ve zeminde delik açarken elektrik kablolarına, gaz ve su borularına dikkat edin.

**CE UYGUNLUK BEYANI**

Tek sorumlu olarak bu ürünün 2006/42/EC, 2004/108/EC yönetmelik hükümleri uyarınca aşağıdaki normlara ve norm dokümanlarına uygunluğunu beyan ederiz: EN 60745, EN 55014-1, EN 550142.



Winnenden, 2011-07-07

*Rainer Kumpf*

Rainer Kumpf  
Manager Product Development

Teknik evrakları hazırlamakla görevlendirilmiştir.

**AKÜ**

Yeni kartuş aküler ancak 4-5 şarj/deşarj işleminden sonra tam kapasitelerine ulaşırlar. Uzun süre kullanım dışı kalmış kartuş aküleri kullanmadan önce şarj edin.

50°C üzerindeki sıcaklıklar kartuş akünün performansını düşürür. Akünün güneş ışığı veya mekân sıcaklığı altında uzun süre ısınmamasına dikkat edin.

Şarj cihazı ve kartuş aküdeki bağlantı noktalarını temiz tutun.

Akünün ömrünün mükemmel bir şekilde uzun olması için kullandıktan sonra tamamen doldurulması gerekir.

Ömrünün mümkün olduğu kadar uzun olması için akülerin yüklemeye yapıldıktan sonra doldurma cihazından uzaklaştırılması gerekir.

Akünün 30 günden daha fazla depolanması halinde:  
Aküyü takriben 27°C'de kuru olarak depolayın.

Aküyü yüklemeye durumunun takriben % 30 - %50 olarak depolayın.

Aküyü her 6 ay yeniden doldurun.

**AKÜNÜN AŞIRI YÜKLENMEYE KARŞI KORUNMASI**

Akü donanımı, aküyü fazla yüklenmeye karşı koruyan ve uzun ömürlü olmasını garanti eden fazla yüklenmeye karşı bir koruma tertibatı ile teçhiz edilmiştir.

Aşırı fazla bir şekilde kullanılması durumunda akünün elektronik tertibatı makineyi otomatik olarak kapatır. Makinenin tekrar çalıştırılması amacı ile tekrar kapatın ve yeniden çalıştırın. Makine tekrar çalışmazsa, akü donanımı muhtemelen boşalmıştır ve o zaman yeniden şarj edilerek tekrar doldurulması gerekir.

**BAKIM**

Sadece AEG aksesuarını ve yedek parçalarını kullanın. Değiştirilmesi açıklanmamış olan parçaları bir AEG müşteri servisinde değiştirin (Garanti broşürüne ve müşteri servisi adreslerine dikkat edin).

Gerektiği takdirde aletin dağınık görünüş şeması, alet tipinin ve tip etiketi üzerindeki on hanelik sayının bildirilmesi koşuluyla müşteri servisinden veya doğrudan AEG Electric Tools GmbH, Max-Eyth-Straße 10, D-71364 Winnenden, Germany adresinden istenebilir.

Aletin kendinde bir çalışma yapmadan önce kartuş aküyü çıkarın.

Kullanılmış kartuş aküleri ateşe veya ev çöplerine atmayın. AEG, kartuş akülerin çevreye zarar vermeyecek biçimde tasfiye edilmesine olanak sağlayan hizmet sunar; lütfen bu konuda yetkili satıcınızdan bilgi alın.

Kartuş aküleri metal parça veya eşyalarla birlikte saklamayın (kısa devre tehlikesi).

GBS sistemli kartuş aküleri sadece GBS sistemli şarj cihazları ile şarj edin. Başka sistemli aküleri şarj etmeyin.

Aşırı zorlanma veya aşırı ısınma sonucu hasar gören kartuş akülerden batarya sıvısı dışarı akabilir. Batarya sıvısı ile temasa gelen yeri hemen bol su ve sabunla yıkayın. Batarya sıvısı gözünüze kaçacak olursa en azından 10 dakika yıkayın ve zaman geçirmeden bir hekime başvurun.

**KULLANIM**

Bu akülü elektronik darbeli matkap şebeke akımından bağımsız olarak delme, darbeli delme ve vidalama işlerinde çok yönlü olarak kullanılabilir.

Bu alet sadece belirtildiği gibi ve usulüne uygun olarak kullanılabilir.

**TECHNICKÁ DATA**    **Aku příklepové vrtačky/šroubováky**    **BS 14C**    **BSB 14C**

Vrtací ø v oceli.....	13 mm	13 mm
Vrtací ø v dřevě.....	45 mm	45 mm
Vrtání ø v cihle a vápenopískové cihle.....	14 mm	14 mm
Vruty do dřeva (bez předvrtání).....	8 mm	8 mm
Kroučící moment s výměnným akumulátorem (1,5 Ah) *1.....	0-400 min <sup>-1</sup>	0-400 min <sup>-1</sup>
Kroučící moment s výměnným akumulátorem (3,0 Ah) *1.....	0-1500 min <sup>-1</sup>	0-1500 min <sup>-1</sup>
Počet úderů max.....	19500 min <sup>-1</sup>	19500 min <sup>-1</sup>
Kroučící moment s výměnným akumulátorem (1,5 Ah) *1.....	43 Nm	43 Nm
Kroučící moment s výměnným akumulátorem (3,0 Ah) *1.....	47 Nm	47 Nm
Napětí výměnného akumulátoru.....	14,4 V	14,4 V
Rozsah upnutí sklíčidla.....	1,5-13 mm	1,5-13 mm
Hmotnost podle prováděcího předpisu EPTA 01/2003 (1,5 Ah).....	1,7 kg	1,78 kg
Hmotnost podle prováděcího předpisu EPTA 01/2003 (3,0 Ah).....	1,9 kg	1,98 kg

**Informace o hluku / vibracích**

Naměřené hodnoty odpovídají EN 60 745.

Typická vážená

Hladina akustického tlaku (K=3 dB(A)).....	87,5 dB (A)	87,5 dB (A)
Hladina akustického výkonu (K=3 dB(A)).....	98,5 dB (A)	98,5 dB (A)

**Používejte chrániče sluchu !**

Celkové hodnoty vibrací (vektorový součet tří směrů) zjištěné ve smyslu EN 60745.

Hodnota vibračních emisí ah

Vrtání betonu s příklepem.....	- m/s <sup>2</sup>	10,6 m/s <sup>2</sup>
Kolisavost K=.....	- m/s <sup>2</sup>	1,5 m/s <sup>2</sup>
Vrtání kovů.....	< 2,5 m/s <sup>2</sup>	< 2,5 m/s <sup>2</sup>
Kolisavost K=.....	1,5 m/s <sup>2</sup>	1,5 m/s <sup>2</sup>
Šroubování.....	< 2,5 m/s <sup>2</sup>	< 2,5 m/s <sup>2</sup>
Kolisavost K=.....	1,5 m/s <sup>2</sup>	1,5 m/s <sup>2</sup>

\*1 Změřeno podle normy AEG N 877318

**VAROVÁNÍ**

Úroveň chvění uvedená v tomto návodu byla naměřena podle metody měření stanovené normou EN 60745 a může být použita pro porovnání elektrického nářadí. Hodí se také pro průběžný odhad zatížení chvěním.

Uvedená úroveň chvění představuje hlavní účely použití elektrického nářadí. Jestliže se ale elektrické nářadí používá pro jiné účely, s odlišnými nástroji nebo s nedostatečnou údržbou, může se úroveň chvění odlišovat. To může značně zvýšit zatížení chvěním během celé pracovní doby.

Pro přesný odhad zatížení chvěním se musí také zohlednit časy, během kterých je přístroj vypnutý nebo kdy je sice v chodu, ale skutečně se s ním nepracuje. To může zatížení chvěním během celé pracovní doby značně snížit.

Stanovte doplňková bezpečnostní opatření pro ochranu obsluhy před účinky chvění jako například: technická údržba elektrického nářadí a nástrojů, udržování teploty rukou, organizace pracovních procesů.

**⚠ VAROVÁNÍ! Seznamte se se všemi bezpečnostními pokyny a sice i s pokyny v příložené brožurě.** Zanedbání při dodržování varovných upozornění a pokynů mohou mít za následek úder elektrickým proudem, požár a/nebo těžká poranění.

**Všechna varovná upozornění a pokyny do budoucna uschovejte.**

**SPECIÁLNÍ BEZPEČNOSTNÍ UPOZORNĚNÍ****Při vrtání s příklepem používejte prostředky k ochraně sluchu.** Nadměrný hluk může vést ke ztrátě sluchu.**Používejte doplňková madla dodávaná s přístrojem.** Nedostatečným držením by mohlo dojít ke zranění.**Při provádění prací, při kterých nástroj může narazit na skryta elektrická vedení, držte přístroj za izolované přidržovací plošky.** Kontakt řezného nástroje s vedením pod napětím může vést k přenosu napětí na kovové části přístroje a k úrazu elektrickým proudem.**Přístroj držte za izolované plochy, pokud provádíte práce, při kterých může šroub zasáhnout skrytá elektrická vedení.** Kontakt šroubu s vedením pod napětím může přivést napětí na kovové části přístroje a způsobit elektrický ráz.

Pokud stroj běží, nesmí být odstraňovány třísky nebo odštěpky.

Při vrtání do zdi, stropu nebo podlahy dávat pozor na elektrické kabely, plynová a vodovodní potrubí.

Před zahájením veškerých prací na vrtacím šroubovák ujmout výměnný akumulátor.

Použitě nevyhazujte do domovního odpadu nebo do ohně. AEG nabízí ekologickou likvidaci starých článků, ptejte se u vašeho obchodníka s nářadím.

Náhradní akumulátor neskladujte s kovovými předměty, nebezpečí zkratu.

Akumulátor systému GBS nabíjejte pouze nabíječkou systému GBS. Nenabíjejte akumulátory jiných systémů.

Při extrémní zátěži či vysoké teplotě může z akumulátoru vytékat kapalina. Při zasažení touto kapalinou okamžitě zasažená místa omyjte vodou a mýdlem. Při zasažení očí okamžitě důkladně po dobu alespoň 10min. omyvat a neodkladně vyhledat lékaře.

**OBLAST VYUŽITÍ**

Akumulátorový příklepový vrtací šroubovák je univerzálně použitelný pro vrtání, příklepové vrtání a šroubování nezávisle na elektrické síti.

Toto zařízení lze používat jen pro uvedený účel.

**CE-PROHLÁŠENÍ O SHODĚ**

Se vši zodpovědností prohlašujeme, že tento výrobek odpovídá následujícím normám a normativním dokumentům:

EN 60745, EN 55014-1, EN 55014-2, v souladu se směrnicemi EHS č. 2006/42/E, 2004/108/EG



Winnenden, 2011-07-07

Rainer Kumpf  
Manager Product Development

Zplnomocněn k sestavování technických podkladů.

**AKUMULÁTORY**

Nový akumulátor dosáhne plné kapacity po 4 - 5 nabíjecích cyklech. Dále nepoužívané akumulátory je nutné před použitím znovu nabít.

Teplota přes 50°C snižuje výkon akumulátoru. Chraňte před dlouhým přehříváním na slunci či u topení.

Kontakty nabíječky a akumulátoru udržujte v čistotě.

Optimální životnost akumulátorů se zajistí, když se po použití vždy plně nabijí.

K zabezpečení dlouhé životnosti by se akumulátory měly po nabití vyjmout z nabíječky.

Při skladování akumulátoru po dobu delší než 30 dní:

Skladujte akumulátor v suchu při cca 27°C.

Skladujte akumulátor při cca 30%-50% nabíjecí kapacity.

Opakujte nabíjení akumulátoru každých 6 měsíců.

**OCHRANA PROTI PŘETÍŽENÍ AKUMULÁTORU**

Akumulátorová sada je vybavena ochranou proti přetížení, která ji chrání a zaručuje její dlouhou životnost.

Při extrémním zatížení elektronika akumulátoru elektrický nástroj vypne. K pokračování v práci nástroj vypnete a opět zapnete. V případě, že se motor nástroje ani potom nerozběhne, je akumulátorová sada pravděpodobně vybitá a musí se v nabíječce opět nabít.

**ÚDRŽBA**

Používejte výhradně náhradní díly a příslušenství AEG. Díly, jejichž výměna nebyla popsána, nechávejte vyměnit v odborném servisu AEG. (Viz záruční list.)

Při potřebě podrobného rozkresu konstrukce, oslovte informaci o typu a desetimístném objednacím čísle přímo servis a nebo výrobce, AEG Electric Tools GmbH, Max-Eyth-Straße 10, D-71364 Winnenden, Germany.

**SYMBOLY**

Před spuštěním stroje si pečlivě přečtěte návod k používání.



Před zahájením veškerých prací na vrtacím šroubovák ujmout výměnný akumulátor.



Elektrické nářadí nevyhazujte do komunálního odpadu! Podle evropské směrnice 2002/96/EC o nakládání s použitými elektrickými a elektronickými zařízeními a odpovídajících ustanovení právních předpisů jednotlivých zemí se použitá elektrická nářadí musí sbírat odděleně od ostatního odpadu a podrobit ekologicky šetrnému recyklování.

**TECHNICKÉ ÚDAJE** Akumulátorová príklepová vŕtačka a uťahovačka **BS 14C** **BBS 14C**

Priemer vrtu do ocele	13 mm	13 mm
Priemer vrtu do dreva	45 mm	45 mm
Priemer vrtu do tehly a vápencového pieskovca	14 mm	14 mm
Skrutkovanie do dreva (bez predvrtu)	8 mm	8 mm
Otáčky naprázdno v 1. prevodovom stupni	0-400 min <sup>-1</sup>	0-400 min <sup>-1</sup>
Otáčky naprázdno v 2. prevodovom stupni	0-1500 min <sup>-1</sup>	0-1500 min <sup>-1</sup>
Max. počet úderov pri záťaži	-	19500 min <sup>-1</sup>
Točivý moment s výmenným akumulátorom (1,5 Ah) *1	43 Nm	43 Nm
Točivý moment s výmenným akumulátorom (3,0 Ah) *1	47 Nm	47 Nm
Napätie výmenného akumulátora	14,4 V	14,4 V
Upinací rozsah skľučovadla	1,5-13 mm	1,5-13 mm
Hmotnosť podľa vykonávacieho predpisu EPTA 01/2003 (1,5 Ah)	1,7 kg	1,78 kg
Hmotnosť podľa vykonávacieho predpisu EPTA 01/2003 (3,0 Ah)	1,9 kg	1,98 kg

**Informácia o hluku / vibráciách**

Namerané hodnoty určené v súlade s EN 60 745.

A-ohodnotená hladina akustického tlaku prístroja činí

Hladina akustického tlaku (K=3 dB(A))	87,5 dB (A)	87,5 dB (A)
Hladina akustického výkonu (K=3 dB(A))	98,5 dB (A)	98,5 dB (A)

**Používajte ochranu sluchu!**

Celkové hodnoty vibrácií (veterorový súčet troch smerov)

zistených zmysle EN 60745.

Hodnota vibračných emisií ah

Vŕtanie betónu s príklepom	- m/s <sup>2</sup>	10,6 m/s <sup>2</sup>
Kolisavosť K=	- m/s <sup>2</sup>	1,5 m/s <sup>2</sup>
Vŕtanie kovov	< 2,5 m/s <sup>2</sup>	< 2,5 m/s <sup>2</sup>
Kolisavosť K=	1,5 m/s <sup>2</sup>	1,5 m/s <sup>2</sup>
Skrutkovanie	< 2,5 m/s <sup>2</sup>	< 2,5 m/s <sup>2</sup>
Kolisavosť K=	1,5 m/s <sup>2</sup>	1,5 m/s <sup>2</sup>

\*1 Merané podľa AEG normy N 877318

**POZOR**

Úroveň vibrácií uvedená v týchto pokynoch bola nameraná meracou metódou, ktorú stanovuje norma EN 60745 a je možné ju použiť na vzájomné porovnanie elektrického náradia. Hodí sa aj na predbežné posúdenie kmitavého namáhania.

Uvedená úroveň vibrácií reprezentuje hlavné aplikácie elektrického náradia. Ak sa však elektrické náradie používa pre iné aplikácie, s odlišnými vloženými nástrojmi alebo s nedostatočnou údržbou, môže sa úroveň vibrácií lišiť. Toto môže kmitavé namáhanie v priebehu celej pracovnej doby podstatne zvýšiť.

Pre presný odhad kmitavého namáhania by sa mali tiež zohľadniť doby, v ktorých je náradie vypnuté alebo je síce v chode, ale v skutočnosti sa nepoužíva. Toto môže kmitavé namáhanie v priebehu celej pracovnej doby zreteľne redukovať.

Stanovte dodatočné bezpečnostné opatrenia pre ochranu obsluhy pred účinkami vibrácií, ako napríklad: údržba elektrického náradia a vložených nástrojov, udržiavanie teploty rúk, organizácia pracovných postupov.

**POZOR! Zoznámte sa so všetkými bezpečnostnými pokynmi a síce aj s pokynmi v priloženej brožúre.**

Zanedbanie dodržiavania Výstražných upozornení a pokynov uvedených v nasledujúcom texte môže mať za následok zásah elektrickým prúdom, spôsobiť požiar a/alebo ťažké poranenie.

**Tieto Výstražné upozornenia a bezpečnostné pokyny starostlivo uschovajte na budúce použitie.**

**ŠPECIÁLNE BEZPEČNOSTNÉ POKYNY**

**Pri vŕtaní s príklepom používajte prostriedky k ochrane sluchu.** Nadmerný hluk môže viesť k strate sluchu.

**Používajte prídavné rukoväte dodané spolu s prístrojom.** Strata kontroly nad strojom môže viesť k zraneniu.

**Pri realizovaní prác, pri ktorých nástroj môže naraziť na skryté elektrické vedenia, držte prístroj za izolované pridrôzovacie plošky.** Kontakt rezného nástroja s vedením pod napätím môže viesť k prenosu napätia na kovové časti prístroja a k úrazu elektrickým prúdom.

**Kadar izvajate dela pri katerih lahko sveder zadane v prikrite električne vode, držite napravo za izolirane prijemalne površine.** Stik svedra z elektrickým vodníkom lahko kovinske deli naprave spravi pod napetost in vodi do električnega udara.

Triesky alebo úlomky sa nesmú odstraňovať za chodu stroja.

Pri práci v stene, strope alebo v podlahe dávajte pozor na elektrické káble, plynové a vodovodné potrubia.

Pred každou prácou na stroji výmenný akumulátor vyťahnuť.

Opotrebované výmenné akumulátory nezahadzujte do ohňa alebo medzi domový odpad. AEG ponúka likvidáciu starých výmenných akumulátorov, ktorá je v súlade s ochranou životného prostredia; informujte sa u Vášho predajcu.

Výmenné akumulátory neskladovať spolu s kovovými predmetmi (nebezpečenstvo skratu).

Výmenné akumulátory systému GBS nabíjať len nabíjacími zariadeniami systému GBS. Akumulátory iných systémov týmto zariadením nenabíjať.

Pri extrémnych záťažach alebo extrémnych teplotách môže dôjsť k vytekaniu batérovej tekutiny z poškodeného výmenného akumulátora. Ak dôjde ku kontaktu pokožky s roztokom, postihnuté miesto umyť vodou a mydlom. Ak sa roztok dostane do očí, okamžite ich dôkladne vypláchnuť po dobu min. 10 min a bezodkladne vyhľadať lekára.

**POUŽITIE PODĽA PREDPISOV**

AKU-elektronický príklepový vŕtací skrutkovač je univerzálne použiteľný na vŕtanie, príklepové vŕtanie a skrútkovanie nezávisle od sieťovej prípojky.

Tento prístroj sa smie používať len v súlade s uvedenými predpismi.

**CE - VYHLÁSENIE KONFORMITY**

Vyhlasujeme v našej výhradnej zodpovednosti, že tento produkt zodpovedá nasledovným normám alebo normatívnym dokumentom. EN 60745, EN 55014-1, EN 55014-2, podľa predpisov smernice 2006/42/EC, 2004/108/EC.



Winnenden, 2011-07-07

*Rainer Kumpf*

Rainer Kumpf  
Manager Product Development

Splnomocnený zostaviť technické podklady.

**AKUMULÁTORY**

Nové výmenné akumulátory dosiahnu svoju maximálnu kapacitu po 4-5 nabitíach a vybitiach. Dlhá

as nepoužívané výmenné akumulátory pred použitím dobie.

Teplota vyššia ako 50°C znižuje výkon výmenného akumulátora. Zabráňte dlhšiemu ohriatiu slnkom alebo kúrením.

Pripájacie kontakty na nabíjacom zariadení a výmennom akumulátore udržiavať čisté.

K zachovaniu optimálnej životnosti se batérie musejí po použití vždy úplne dobiť.

K zabezpečeniu dlhej životnosti by sa akumulátory mali po nabití vybrať z nabíjačky.

Pri skladovaní akumulátora po dobu dlhšiu než 30 dní: Skladujte akumulátor v suchu pri cca 27°C.

Skladujte akumulátor pri cca 30%-50% nabíjacej kapacity. Opakujte nabíjanie akumulátora každých 6 mesiacov.

**OCHRANA PROTI PREŤAŽENIU AKUMULÁTORA**

Akumulátorová sada je vybavená ochranou proti preťaženiu, ktorá ju chráni a zaručuje jej dlhú životnosť.

Pri extrémnom zaťažení elektronika akumulátora elektrický nástroj vypne. K pokračovaniu v práci nástroj vypnete a opäť zapnete. V prípade, že sa motor nástroja ani potom nerozbehne, je akumulátorová sada pravdepodobne vybitá a musí sa v nabíjačke opäť nabiť.

**ÚDRŽBA**

Používať len AEG príslušenstvo a náhradné diely. Súčiastky bez návodu na výmenu treba dat vymeniť v jednom z AEG zákaznických centier (viď brožúru Záruka/Adresa zákaznických centier).

Pri udaní typu stroja a desaťmiestneho čísla nachádzajúceho sa na štítku dá sa v prípade potreby vyžiadať explozívna schéma prístroja od Vášho zákaznického centra alebo priamo v AEG Electric Tools GmbH, Max-Eyth-Straße 10, D-71364 Winnenden, Germany.

**SYMBOLY**



Pred prvým použitím prístroja si pozorne prečítajte návod na obsluhu.



Pred každou prácou na stroji výmenný akumulátor vyťahnuť.



Elektrické náradie nevyhadzujte do komunálneho odpadu! Podľa európskej smernice 2002/96/ES o nakladaní s použitými elektrickými a elektronickými zariadeniami a zodpovedajúcich ustanovení právnych predpisov jednotlivých krajín sa použité elektrické náradie musí zbierať oddelene od ostatného odpadu a podrobiť ekologicky šetrnej recyklácii.



**DANE TECHNICZNE Akumulatorowa wiertarka/wkrętarka udarowa BS 14C BSB 14C**

Zdolność wiercenia w stali.....	13 mm	13 mm
Zdolność wiercenia w drewnie.....	45 mm	45 mm
Zdolność wiercenia w cegła i płytki ceramiczne.....	-	14 mm
Wkręty do drewna (bez nawiercania wstępnego).....	8 mm	8 mm
Prędkość bez obciążenia na pierwszym biegu.....	0-400 min <sup>-1</sup>	0-400 min <sup>-1</sup>
Prędkość bez obciążenia drugi bieg.....	0-1500 min <sup>-1</sup>	0-1500 min <sup>-1</sup>
Częstotliwość uderu przy obciążeniu maks.....	-	19500 min <sup>-1</sup>
Moment obrotowy z akumulatorem (1,5 Ah) *1.....	43 Nm	43 Nm
Moment obrotowy z akumulatorem (3,0 Ah) *1.....	47 Nm	47 Nm
Napięcie baterii akumulatorowej.....	14,4 V	14,4 V
Zakres otwarcia uchwytu wiertarskiego.....	1,5-13 mm	1,5-13 mm
Ciężar wg procedury EPTA 01/2003 (1,5 Ah).....	1,7 kg	1,78 kg
Ciężar wg procedury EPTA 01/2003 (3,0 Ah).....	1,9 kg	1,98 kg

**Informacja dotycząca szumów / wibracji**

Zmierzone wartości wyznaczono zgodnie z normą EN 60 745.

Typowy poziom ciśnienia akustycznego mierzony wg krzywej A:

Poziom ciśnienia akustycznego (K=3 dB(A)).....	87,5 dB (A)	87,5 dB (A)
Poziom mocy akustycznej (K=3 dB(A)).....	98,5 dB (A)	98,5 dB (A)

**Należy używać ochroniaczy uszu!**

Wartości łączne drgań (suma wektorowa trzech kierunków) wyznaczone zgodnie z normą EN 60745

Wartość emisji drgań ah

Wiercenie udarowe w betonie.....	- m/s <sup>2</sup>	10,6 m/s <sup>2</sup>
Niepewność K=.....	- m/s <sup>2</sup>	1,5 m/s <sup>2</sup>
Wiercenie w metalu.....	< 2,5 m/s <sup>2</sup>	< 2,5 m/s <sup>2</sup>
Niepewność K=.....	1,5 m/s <sup>2</sup>	1,5 m/s <sup>2</sup>
Przykręcanie.....	< 2,5 m/s <sup>2</sup>	< 2,5 m/s <sup>2</sup>
Niepewność K=.....	1,5 m/s <sup>2</sup>	1,5 m/s <sup>2</sup>

\*1 Zmierzone zgodnie z normą AEG N 877318

**OSTRZEŻENIE**

Podany w niniejszych instrukcjach poziom drgań został zmierzony za pomocą metody pomiarowej zgodnej z normą EN 60745 i może być użyty do porównania ze sobą elektronarzędzi. Nadaje się on również do tymczasowej oceny obciążenia wibracyjnego.

Podany poziom drgań reprezentuje główne zastosowania elektronarzędzia. Jeśli jednakże elektronarzędzie użyte zostanie do innych celów z innymi narzędziami roboczymi lub nie jest dostatecznie konserwowane, wtedy poziom drgań może wykazywać odchylenia. Może to wyraźnie zwiększyć obciążenie wibracjami przez cały okres pracy.

Dla dokładnego określenia obciążenia wibracjami należy uwzględnić również czasy, w których urządzenie jest wyłączone względnie jest włączone, lecz w rzeczywistości nie pracuje. Może to spowodować wyraźną redukcję obciążenia wibracyjnego w całym okresie pracy.

Należy wprowadzić dodatkowe środki zapobiegawcze celem ochrony obsługującego przed oddziaływaniem drgań, jak na przykład: konserwacja narzędzi roboczych i elektronarzędzi, nagrzanie rąk, organizacja przebiegu pracy.

**⚠ OSTRZEŻENIE! Prosimy o przeczytanie wskazówek bezpieczeństwa i zaleceń, również tych, które zawarte są w załączonej broszurze.** Błędy w przestrzeganiu poniższych wskazówek mogą spowodować porażenie prądem, pożar i/lub ciężkie obrażenia ciała. **Należy starannie przechowywać wszystkie przepisy i wskazówki bezpieczeństwa dla dalszego zastosowania.**

**INSTRUKCJE DOTYCZĄCE BEZPIECZEŃSTWA**

**Do wiercenia udarowego należy zakładać ochronniki słuchu.** Hałas może powodować utratę słuchu.

**Stosować uchwyty pomocnicze dostarczone z narzędziem.** Utrata kontroli może spowodować obrażenia.

**Trzymaj urządzenie za izolowane powierzchnie chwytnie gdy wykonujesz roboty, w trakcie których narzędzie skrawające może natrafić na ukryte przewody prądowe.** Styczność narzędzia skrawającego z będącym pod napięciem przewodem może spowodować podłączenie części metalowych urządzenia do napięcia i prowadzić do porażenia prądem elektrycznym.

**Trzymaj urządzenie za izolowane powierzchnie chwytnie, gdy wykonujesz roboty, w trakcie których śruba może natrafić na ukryte przewody prądowe.** Kontakt śruby z przewodem pod napięciem może spowodować podłączenie części metalowych urządzenia do napięcia i prowadzić do porażenia prądem elektrycznym.

Podczas pracy elektronarzędzia nie wolno usuwać trocin ani drzazg.

Podczas pracy przy ścianach, sufitach i podłodze należy uważać na kable elektryczne, przewody gazowe i wodociągowe.

Przed przystąpieniem do jakichkolwiek prac na elektronarzędziu należy wyjąć wkładkę akumulatorową. Zużytych akumulatorów nie wolno wrzucać do ognia ani traktować jako odpadów domowych. AEG oferuje ekologiczną utylizację zużytych akumulatorów.

Nie przechowywać akumulatorów wraz z przedmiotami metalowymi (niebezpieczeństwo zwarcia).

Akumulatory Systemu GBS należy ładować wyłącznie przy pomocy ładowarek Systemu GBS. Nie ładować przy pomocy tych ładowarek akumulatorów innych systemów.

W skrajnych warunkach temperaturowych lub przy bardzo dużym obciążeniu może dochodzić do wycieku kwasu akumulatorowego z uszkodzonych baterii akumulatorowych. W przypadku kontaktu z kwasem akumulatorowym należy natychmiast przemyć miejsce kontaktu wodą z mydłem. W przypadku kontaktu z oczami należy dokładnie przepłukiwać oczy przynajmniej przez 10 minut i zwrócić się natychmiast o pomoc medyczną.

**WARUNKI UŻYTKOWANIA**

Elektroniczna akumulatorowa wiertarka udarowa/wkrętarka przeznaczona jest do wiercenia, wiercenia udarowego, a także wkręcania przy pracy z dala od źródła zasilania sieciowego.

Produkt można użytkować wyłącznie zgodnie z jego normalnym przeznaczeniem.

**DEKLARACJA ZGODNOŚCI CE**

Oświadczamy z pełną odpowiedzialnością, że produkt ten odpowiada wymaganiom następujących norm i dokumentów normatywnych EN 60745, EN 55 014-1, EN 55 014-2, i jest zgodny z wymaganiami dyrektyw 2006/42/WE, 2004/108/WE



Winnenden, 2011-07-07

*Rainer Kumpf*

Rainer Kumpf  
Manager Product Development

Uppełnomocniony do zestawienia danych technicznych

**BATERIE AKUMULATOROWE**

Nowe baterie akumulatorowe osiągają swoją pełną pojemność po 4 - 5 cyklach ładowania i rozładowywania. Akumulatory, które nie były przez dłuższy czas użytkowane, należy przed użyciem naładować.

W temperaturze powyżej 50°C następuje spadek osiągniętych wkładki akumulatorowej. Unikaj długotrwałego wystawienia na oddziaływanie ciepła lub promieni słonecznych (niebezpieczeństwo przegrzania).

Styki ładowarek i wkładek akumulatorowych należy utrzymywać w czystości.

W celu zagwarantowania optymalnej żywotności należy po zakończonej eksploatacji naładować akumulatory do pełna.

Dla zapewnienia możliwie długiej żywotności akumulatory należy wyjąć z ładowarki po ich naładowaniu.

W przypadku składowania akumulatorów dłużej aniżeli 30 dni:

Przechowywać je w suchym miejscu w temperaturze ok. 27°C.

Przechowywać je w stanie naładowanym do ok. 30% - 50%. Ładować je ponownie co 6 miesięcy.

**ZABEZPIECZENIE PRZECIĄŻENIOWE AKUMULATORA**

Pakiet akumulatorowy jest wyposażony w zabezpieczenie przed przeciążeniem, które chroni akumulator przed przeciążeniem i zapewnia jego dużą żywotność. Przy ekstremalnie silnym narażeniu elektronika akumulatora automatycznie wyłącza maszynę. Aby kontynuować pracę należy wyłączyć i ponownie włączyć maszynę. Jeżeli nie nastąpiłby ponowny rozruch maszyny, to możliwe, że pakiet akumulatorowy jest wyładowany i musi zostać ponownie naładowany w ładowarce.

**UTRZYMANIE I KONSERWACJA**

Należy stosować wyłącznie wyposażenie dodatkowe i części zamienne AEG. W przypadku konieczności wymiany części, dla których nie podano opisu, należy skontaktować się z przedstawicielami serwisu AEG (patrz lista punktów obsługi gwarancyjnej/serwisowej).

Na życzenie można otrzymać rysunek widoku zespołu rozebranego. Przy zamawianiu należy podać dziesięciocyfrowy numer oraz typ elektronarzędzia umieszczony na tabliczce znamionowej. Zamówienia można dokonać albo u lokalnych przedstawicieli serwisu, albo bezpośrednio w AEG Electric Tools GmbH, Max-Eyth-Straße 10, D-71364 Winnenden, Germany.

**SYMBOLY**

Przed uruchomieniem elektronarzędzia zapoznać się uważnie z treścią instrukcji.



Przed przystąpieniem do jakichkolwiek prac na elektronarzędziu należy wyjąć wkładkę akumulatorową.



Nie wyrzucaj elektronarzędzi wraz z odpadami z gospodarstwa domowego! Zgodnie z Europejską Dyrektywą 2002/96/WE w sprawie zużytego sprzętu elektrotechnicznego i elektronicznego oraz dostosowaniem jej do prawa krajowego, zużyte elektronarzędzia należy posegregować i zutylizować w sposób przyjazny dla środowiska.

MŰSZAKI ADATOK	Akkumulátoros ütvefűrő/csavarozógép	BS 14C	BSS 14C
Furat- $\emptyset$ acélba .....	13 mm	13 mm	
Furat- $\emptyset$ fába .....	45 mm	45 mm	
Furat- $\emptyset$ téglába és mészkőbe .....	14 mm	14 mm	
Facsavár (előfűrés nélkül) .....	8 mm	8 mm	
Üresjárat fordulatszám 1. sebességben .....	0-400 min <sup>-1</sup>	0-400 min <sup>-1</sup>	
Üresjárat fordulatszám 2. Fokozatban .....	0-1500 min <sup>-1</sup>	0-1500 min <sup>-1</sup>	
Ütésszám terhelés alatt max. ....	19500 min <sup>-1</sup>		
Forgatónyomaték akkumulátorral (1,5 Ah) *1 .....	43 Nm	43 Nm	
Forgatónyomaték akkumulátorral (3,0 Ah) *1 .....	47 Nm	47 Nm	
Akkumulátor feszültség .....	14,4 V	14,4 V	
Befogási tartomány .....	1,5-13 mm	1,5-13 mm	
Súly a 01/2003 EPTA-eljárás szerint (1,5 Ah) .....	1,7 kg	1,78 kg	
Súly a 01/2003 EPTA-eljárás szerint (3,0 Ah) .....	1,9 kg	1,98 kg	

#### Zajinformáció, Vibráció-információk

A közölt értékek megfelelnek az EN 60 745 szabványnak.

Szabvány szerinti A-értékelésű hangszint:

Hangnyomás szint (K = 3 dB(A)) .....	87,5 dB (A)	87,5 dB (A)
Hangteljesítmény szint (K = 3 dB(A)) .....	98,5 dB (A)	98,5 dB (A)

#### Hallásvédő eszköz használata ajánlott!

Összesített rezgésértékek (három irány vektoriális összege)

az EN 60745-nek megfelelően meghatározva.

ah rezgésemisszió érték

Ütvefűrés betonban .....	- m/s <sup>2</sup>	10,6 m/s <sup>2</sup>
K bizonytalanság = .....	- m/s <sup>2</sup>	1,5 m/s <sup>2</sup>
Fűrés fémbe .....	< 2,5 m/s <sup>2</sup>	< 2,5 m/s <sup>2</sup>
K bizonytalanság = .....	1,5 m/s <sup>2</sup>	1,5 m/s <sup>2</sup>
Csavarozás .....	< 2,5 m/s <sup>2</sup>	< 2,5 m/s <sup>2</sup>
K bizonytalanság = .....	1,5 m/s <sup>2</sup>	1,5 m/s <sup>2</sup>

\*1 Az AEG N 877318 szabvány szerint mérve

#### FIGYELMEZTETÉS

A jelen utasításokban megadott rezgésszint értéke az EN 60745-ben szabályozott mérési eljárásnak megfelelően került lemérésre, és használható elektromos szerszámokkal történő összehasonlításhoz. Az érték alkalmas a rezgésterhelés előzetes megbecslésére is.

A megadott rezgésszint-érték az elektromos szerszám legfőbb alkalmazásait reprezentálja. Ha az elektromos szerszámot azonban más alkalmazásokhoz, eltérő használt szerszámokkal vagy nem elegendő karbantartással használják, a rezgésszint értéke eltérő lehet. Ez jelentősen megnövelheti a rezgésterhelést a munkavégzés teljes időtartama alatt.

A rezgésterhelés pontos megbecsléséhez azokat az időket is figyelembe kell venni, melyekben a készülék lekapcsolódik, vagy ugyan működik, azonban ténylegesen nincs használatban. Ez jelentősen csökkentheti a rezgésterhelést a munkavégzés teljes időtartama alatt.

Határozzon meg további biztonsági intézkedéseket a kezelő védelmére a rezgések hatása ellen, például: az elektromos és a használt szerszámok karbantartásával, a kezek melegen tartásával, a munkafolyamatok megszervezésével.

**⚠ FIGYELMEZTETÉS! Olvasson el minden biztonsági útmutatót és utasítást, a mellékelt brosúrában találhatóakat is.** A következőkben leírt előírások betartásának elmulasztása áramütésekhez, tűzhez és/vagy súlyos testi sérülésekhez vezethet. **Kérjük a későbbi használatra gondosan őrizze meg ezeket az előírásokat.**

#### KÜLÖNLEGES BIZTONSÁGI TUDNIVALÓK

Ütvefűréskor viseljen hallásvédőt. A zaj hatása hallásvesztést okozhat.

Használja a készülékkel együtt szállított kézfogantyúkat. A készülék fölötti ellenőrzés elvesztése sérüléseket okozhat.

**A készüléket a szigetelt markolatfelületeket fogva tartsa, ha olyan munkálatokat végez, melyeknél a vágószerszám rejtett elektromos vezetékbe. A vágószerszám feszültségvezető vezetékkel való érintkezések a készülék fém részei is feszültség alá kerülhetnek, és elektromos áramütés következhet be.**

**Olyan munkák végzésekor, melyeknél a csavar rejtett áramvezetéseket érhet, a szigetelt markolati felületeknél tartsa a készüléket.** A csavar feszültségvezető vezetékkel érintkezve fém alkatrészeket helyezhet feszültség alá, és elektromos áramütést idézhet elő.

A munka közben keletkezett forgácsokat, szilánkokat, törmelékét, stb. csak a készülék teljes leállása után szabad a munkaterületről eltávolítani.

Falban, földben, aljzatban történő fűrésznél fokozottan ügyelni kell az elektromos-, víz- és gázvezetésekre.

Karbantartás, javítás, tisztítás, stb. előtt az akkumulátort ki kell venni a készülékből.

A használt akkumulátort ne dobja tűzbe vagy a háztartási szemétkébe. Tájékozzódjon a szakszerű megsemmisítés helyi lehetőségeiről.

Az akkumulátort ne tárolja együtt fém tárgyakkal. (Rövidzárlat veszélye).

Az GBS elnevezésű rendszerhez tartozó akkumulátorokat kizárólag a rendszerhez tartozó töltővel töltsse fel. Ne használjon más rendszerbe tartozó töltőt.

Akkumulátor sav folyhat a sérült akkumulátorból extrém terhelés alatt, vagy extrém hő miatt. Ha az akkumulátor vagy a bőrére kerül azonnal mossa meg szappanos vízzel. Szembe kerülés esetén folyóvíz alatt tartsa a szemét minimum 10 percig és azonnal forduljon orvoshoz.

#### RENDELTESSZERŰ HASZNÁLAT

Az akkumulátoros, elektronikus ütvefűrő-csavarozó hálózatától függetlenül általánosan használható fűrészhöz, ütvefűrészhöz és csavarozáshoz.

A készüléket kizárólag az alábbiakban leírtaknak megfelelően szabad használni.

#### CE-AZONOSSÁGI NYILATKOZAT

Teljes felelősségünk tudatában kijelentjük, hogy jelen termék megfelel a következő szabványoknak vagy szabványossági dokumentumoknak: EN 60745, EN 55014-1, EN 55014-2, a 2006/42/EK, 2004/108/EK irányelvek határozataival egyetértésben.



Winnenden, 2011-07-07

*Rainer Kumpf*

Rainer Kumpf  
Manager Product Development

Műszaki dokumentáció összeállításra felhatalmazva

#### AKKUK

Új akkumulátor a teljes kapacitást 4-5 töltési/lemerülési ciklus után éri el. A hosszabb ideig üzemben kívül lévő akkumulátort használat előtt ismételtelen fel kell tölteni.

50°C feletti hőmérsékletnél csökkenhet az akkumulátor teljesítménye. Kerülni kell a túlzottan meleg helyen vagy napon történő hosszabb idejű tárolást.

A töltő és az akkumulátor csatlakozóit mindig tisztán kell tartani.

Az optimális élettartam érdekében használat után az akkukat teljesen fel kell tölteni.

A lehetőleg hosszú élettartamhoz az akkukat feltöltés után ki kell venni a töltőkészülékből.

Az akku 30 napot meghaladó tárolása esetén:

Az akkut kb. 27 °C-on, száraz helyen kell tárolni.

Az akkut kb. 30-50%-os töltöttségi állapotban kell tárolni.

Az akkut 6 havonta újra fel kell tölteni.

#### AZ AKKUMULÁTOR TÚLTERHELÉS ELLENI VÉDELME

Az akkucsomag olyan túlterhelés elleni védelemmel rendelkezik, mely védi az akkut a túlterhelés ellen, és hosszú élettartamot biztosít.

Rendkívül erős igénybevétel esetén az akkuelektronika automatikusan lekapcsolja a gépet. A további munkavégzéshez a gépet ki-, majd ismét be kell kapcsolni. Ha a gép nem indul el ismét, akkor lehetséges, hogy az akkucsomag lemerült és azt újból fel kell tölteni a töltőben.

#### KARBANTARTÁS

Javításhoz, karbantartáshoz kizárólag AEG alkatrészeket és tartozékokat szabad használni. A készülék azon részeinek cseréjét, amit a kezelési útmutató nem engedélyez, kizárólag a javításra feljogosított márkaszerviz végezheti. (Lásd a szervizlistát)

Szükség esetén a készülékek robbantott ábráját - a készülék típusa és tízjegyű azonosító száma alapján a területileg illetékes AEG márkaszerviztől vagy közvetlenül a gyártótól (AEG Electric Tools GmbH, Max-Eyth-Straße 10, D-71364 Winnenden, Germany) lehet kérni.

#### SZIMBÓLUMOK



Kérjük alaposan olvassa el a tájékoztatót mielőtt a gépet használja.



Karbantartás, javítás, tisztítás, stb. előtt az akkumulátort ki kell venni a készülékből.



Az elektromos kéziszerszámokat ne dobja a háztartási szemétkébe! A használt villamos és elektronikai készülékekről szóló 2002/96/EK irányelv és annak a nemzeti jogba való átültetése szerint az elhasznált elektromos kéziszerszámokat külön kell gyűjteni, és környezetbarát módon újra kell hasznosítani.

**TEHNIČNI PODATKI Baterijski udarni vrtniki/vijačniki BS 14C BSB 14C**

Vrtni ø v jeklu .....	13 mm	13 mm
Vrtni ø v lesu .....	45 mm	45 mm
Vrtni ø v opeki in apnenem peščencu .....	14 mm	14 mm
lesni vijaki (brez predhodnega vrtnja) .....	8 mm	8 mm
Število vrtljajev v prostem teku v 1. prestavi .....	0-400 min <sup>-1</sup>	0-400 min <sup>-1</sup>
Število vrtljajev v prostem teku v 2. prestavi .....	0-1500 min <sup>-1</sup>	0-1500 min <sup>-1</sup>
bremensko število udarcev maks. ....	-	19500 min <sup>-1</sup>
Vrtilni moment z izmenljivim akumulatorjem (1,5 Ah) *1 .....	43 Nm	43 Nm
Vrtilni moment z izmenljivim akumulatorjem (3,0 Ah) *1 .....	47 Nm	47 Nm
Napetost izmenljivega akumulatorja .....	14,4 V	14,4 V
Napenjalno področje vpenjalne glave .....	1,5-13 mm	1,5-13 mm
Teža po EPTA-proceduri 01/2003 (1,5 Ah) .....	1,7 kg	1,78 kg
Teža po EPTA-proceduri 01/2003 (3,0 Ah) .....	1,9 kg	1,98 kg

**Informacije o hrupnosti / vibracijah**

Vrednosti merjenja ugotovljene ustrezno z EN 60 745.

A ocenjeni nivo zvočnega tlaka znaša tipično

Nivo zvočnega tlaka (K=3 dB(A)) .....	87,5 dB (A)	87,5 dB (A)
Višina zvočnega tlaka (K=3 dB(A)) .....	98,5 dB (A)	98,5 dB (A)

**Nosite zaščito za sluh!**

Skupna vibracijska vrednost (Vektorska vsota treh smeri) določena ustrezno EN 60745.

Vibracijska vrednost emisij ah

Udarno vrtnje v beton .....	- m/s <sup>2</sup>	10,6 m/s <sup>2</sup>
Nevarnost K= .....	- m/s <sup>2</sup>	1,5 m/s <sup>2</sup>
Vrtnje v kovine .....	< 2,5 m/s <sup>2</sup>	< 2,5 m/s <sup>2</sup>
Nevarnost K= .....	1,5 m/s <sup>2</sup>	1,5 m/s <sup>2</sup>
Vijačenje .....	< 2,5 m/s <sup>2</sup>	< 2,5 m/s <sup>2</sup>
Nevarnost K= .....	1,5 m/s <sup>2</sup>	1,5 m/s <sup>2</sup>

\*1 Izmerjeno po AEG normi N 877318

**OPOZORILO**

V teh navodilih navedena raven tresljajev je bila izmerjena po EN60745 normiranem merilnem postopku in lahko služi medsebojni primerjavi električnih orodij. Prav tako je primeren za predhodno oceno obremenitve s tresljaji.

Navedena raven tresljajev navaja najpomembnejše vrste rabe električnega orodja. Kadar se električno orodje uporablja za drugačne namene, z odstopajočimi orodji ali pa z nezadostnim vzdrževanjem, lahko raven tresljajev tudi odstopa. Le to lahko čez celoten delovni čas znatno zviša obremenitev s tresenjem.

Za natančno oceno obremenitve s tresljaji naj bi se upošteval tudi čas v katerem je naprava izklopljena ali sicer teče, vendar dejansko ni v rabi. Le to lahko obremenitev s tresljaji čez celoten delovni čas znatno zmanjša.

Za zaščito upravljalca pred učinkom tresljajev uvedite dodatne zaščitne ukrepe npr.: Vzdrževanje električnega orodja in orodja, delo s toplimi rokami, organizacija delovnih potekov.

**⚠ OPOZORILO! Preberite vsa varnostna opozorila in navodila, tudi tista v priloženi brošuri.** Napake zaradi neupoštevanja spodaj navedenih opozoril in napotil lahko povzročijo električni udar, požar in/ali težke telesne poškodbe.

**Vsa opozorila in napotila shranite, ker jih boste v prihodnje še potrebovali.**

**SPECIALNI VARNOSTNI NAPOTKI**

**Pri udarnemu vrtnanju nosite glušnik.** Hrup lahko povzroči izgubo sluha.

**Uporabite dodatne ročaje, ki so dobavljeni skupaj z napravo.** Izguba kontrole lahko povzroči poškodbe.

**Kadar izvajate dela pri katerih lahko orodje zadane prikrito električno napeljavo, je napravo potrebno držati za izolirane prijemalne površine.** Stik rezalnega orodja z napetostnim vodnikom napeljave lahko privede kovinske dele naprave pod napetost in vodi do električnega udara.

**Kadar izvajate dela pri katerih lahko sveder zadane v prikrito električne vode, držite napravo za izolirane prijemalne površine.** Stik svedra z električnim vodnikom lahko kovinske deli naprave spravi pod napetost in vodi do električnega udara.

Trske ali iveri se pri tekočem stroju ne smejo odstranjevati.

Pri delih na steni, stropu ali v tleh pazite na električne kable, plinske in vodne napeljave.

Pred deli na stroju izvlecite izmenljivi akumulator.

**GE-IZJAVA O KONFORMNOSTI**

Z lastno odgovornostjo izjavljamo, da je ta produkt skladen z naslednjimi normami ali normativnimi dokumenti. EN 60745, EN 55014-1, EN 55014-2, v skladu z določili smernice 2006/42/EC, 2004/108/EC.



Winnenden, 2011-07-07

Rainer Kumpf  
Manager Product Development

Pooblaščen za izdelavo spisov tehnične dokumentacije.

**AKUMULATORJI**

Novi izmenljivi akumulatorji dosežejo svojo polno kapaciteto po 4 – 5 ciklih polnjenja in praznjenja. Izmenljive akumulatorje, ki jih daljši čas niste uporabljali, pred uporabo naknadno napolnite.

Temperatura nad 50°C zmanjšuje zmogljivost izmenljivega akumulatorja. Izogibajte se daljšemu segrevanju zaradi sončnih žarkov ali grejta.

Pazite, da ostanejo priključni kontakti na polnilnem aparatu in izmenljivem akumulatorju čisti.

Za optimalno življenjsko dobo je akumulatorje potrebno po uporabi napolniti do konca.

Za čim daljšo življenjsko dobo naj se akumulatorji po napolnitvi vzamejo ven iz naprave za polnjenje.

Pri skladiščenju akumulatorjev dalj kot 30 dni:

Akumulator skladiščiti pri 27°C in na suhem.

Akumulator skladiščiti pri 30%-50% stanja polnjenja.

Akumulator spet napolniti vsakih 6 mesecev.

**ZAŠČITA PREOBREMENITVE AKUMULATORJA**

Komplet akumulatorja je opremljen s preobremenitveno zaščito, ki ščiti akumulator pred preobremenitvijo in zagotavlja dolgo življenjsko dobo.

Pri ekstremno visokih obremenitvah elektronika akumulatorja stroj avtomatsko izklopi. Za nadaljnje delo stroj izklopimo in ponovno vklopimo. V kolikor stroj ponovno ne steče, je komplet akumulatorja morebiti izpraznjen in ga je v polnilcu potrebno ponovno napolniti.

**VZDRŽEVANJE**

Uporabljajte samo AEG pribor in nadomestne dele. Poskrbite, da sestavne dele, katerih zamenjava ni opisana, zamenjajo v AEG servisni službi (upoštevajte brošuro Garancija/Naslovi servisnih služb).

Po potrebi se lahko pri vaši servisni službi ali direktno pri AEG Electric Tools GmbH naroči eksplozijska risba naprave ob navedbi tipa stroja in desetmestne številke s tipske ploščice AEG Electric Tools GmbH, Max-Eyth-Straße 10, D-71364 Winnenden, Germany.

Izrabljenih izmenljivih akumulatorjev ne mečite v ogenj ali v gospodinjinske odpadke. AEG nudi okolju prijazno odlaganje starih izmenljivih akumulatorjev; prosimo povprašajte vašega strokovnega trgovca.

Izmenljivih akumulatorjev ne hranite skupaj s kovinskimi predmeti (nevarnost kratkega stika).

Izmenljive akumulatorje sistema GBS polnite samo s polnilnimi aparati sistema GBS. Ne polnite nobenih akumulatorjev iz drugih sistemov.

Pod ekstremno obremenitvijo ali ob ekstremni temperaturi iz poškodovanega izmenljivega akumulatorja lahko izteka akumulatorska tekočina. Po stiku z akumulatorsko tekočino prizadeto mesto takoj izperite z vodo in milom. Po stiku z očmi takoj najmanj 10 minut dolgo temeljito izpirajte in nemudoma obiščite zdravnika.

**UPORABA V SKLADU Z NAMEDNOSTJO**

Akumulatorski elektronski vrtnik – izvijač je univerzalno uporaben za vrtnje, udarno vrtnje in vijačenje neodvisno od omrežnega priključka.

Ta naprava se sme uporabiti samo v skladu z namednostjo uporabiti samo za navede namene.

**SIMBOLI**

Prosimo, da pred uporabo pozorno preberete to navodilo za uporabo.



Pred vsimi deli na stroji odstranite izmenljivi akumulator.



Elektricnega orodja ne odstranjujte s hišnimi odpadki! V skladu z Evropsko direktivo 2002/96/EC o odpadni elektrini in elektronski opremi in z njenim izvajanjem v nacionalni zakonodaji je treba elektricna orodja ob koncu njihove življenjske dobe loceno zbirati in jih predati v postopek okolju prijaznega recikliranja.

**TEHNIČKI PODACI**      **Akumulatorska udarna bušilica**      **BS 14C**      **BSB 14C**

Bušenje- $\emptyset$ u čelik .....	13 mm .....	13 mm
Bušenje- $\emptyset$ u drvo .....	45 mm .....	45 mm
Bušenje- $\emptyset$ u opeku i silikatnu opeku .....	14 mm .....	14 mm
Vijci za drvo (bez predbušenja) .....	8 mm .....	8 mm
Broj okretaja praznog hoda u 1. Brzini .....	0-400 min <sup>-1</sup> .....	0-400 min <sup>-1</sup>
Broj okretaja praznog hoda u 2. Brzini .....	0-1500 min <sup>-1</sup> .....	0-1500 min <sup>-1</sup>
Maksimalan broj udaraca pod opterećenjem .....	- .....	19500 min <sup>-1</sup>
Okretni moment sa baterijom za zamjenu (1,5 Ah) *1 .....	43 Nm .....	43 Nm
Okretni moment sa baterijom za zamjenu (3,0 Ah) *1 .....	47 Nm .....	47 Nm
Napon baterije za zamjenu .....	14,4 V .....	14,4 V
Područje stezne glave za stezanje svrdla .....	1,5-13 mm .....	1,5-13 mm
Težina po EPTA-proceduri 01/2003 (1,5 Ah) .....	1,7 kg .....	1,78 kg
Težina po EPTA-proceduri 01/2003 (3,0 Ah) .....	1,9 kg .....	1,98 kg

**Informacije o buci / vibracijama**

Mjerne vrijednosti utvrđene odgovarajuće EN 60 745.

A-procjenjeni nivo pritiska zvuka aparata iznosi tipično

nivo pritiska zvuka (K=3 dB(A)) .....	87,5 dB (A) .....	87,5 dB (A)
nivo učinka zvuka (K=3 dB(A)) .....	98,5 dB (A) .....	98,5 dB (A)

**Nositi zaštitu sluha!**

Ukupne vrijednosti vibracije (Vektor suma tri smjera) su

odmjerene odgovarajuće EN 60745

Vrijednost emisije vibracije ah

Udarno bušenje u betonu .....	- m/s <sup>2</sup> .....	10,6 m/s <sup>2</sup>
Nesigurnost K= .....	- m/s <sup>2</sup> .....	1,5 m/s <sup>2</sup>
Bušenje metala .....	< 2,5 m/s <sup>2</sup> .....	< 2,5 m/s <sup>2</sup>
Nesigurnost K= .....	1,5 m/s <sup>2</sup> .....	1,5 m/s <sup>2</sup>
Vijčanje .....	< 2,5 m/s <sup>2</sup> .....	< 2,5 m/s <sup>2</sup>
Nesigurnost K= .....	1,5 m/s <sup>2</sup> .....	1,5 m/s <sup>2</sup>

\*1 Mjereno po AEG normi N 877318

**UPOZORENIE**

Ova u ovim uputama navedena razina titranja je bila izmjerena odgovarajuće jednom u EN 60745 normiranom mjernom postupku i može se upotrijebiti za usporedbu električnog alata međusobno. Ona je prikladna i za privremenu procjenu titrajnog opterećenja.

Navedena razina titranja reprezentira glavne primjene električnog alata. Ukoliko se električni alat upotrebljava u druge svrhe sa odstupajućim primijenjenim alatima ili nedovoljnim održavanjem, onda razina titranja može odstupati. To može titrajno opterećenje kroz cijeli period rada bitno povisiti.

Za točnu procjenu titrajnog opterećenja se moraju uzeti u obzir i vremena u kojima je uređaj isključen ili u kojima doduše radi, ali nije i stvarno u upotrebi. To može titrajno opterećenje bitno smanjiti za vrijeme cijelog radnog perioda.

Utvrdite dodatne sigurnosne mjere za zaštitu poslužioca protiv djelovanja titranja kao npr.: Održavanje električnih alata i upotrebjenih alata, održavanje topline ruku, organizacija i radne postupke.

**⚠ UPOZORENIE! Pročitajte sigurnosne upute i****uputnice, isto i one iz priložene brošure.** Ako se ne bi poštivale napomene o sigurnosti i upute to bi moglo uzrokovati strujni udar, požar i/ili teške ozljede.**Sačuvajte sve napomene o sigurnosti i upute za buduću primjenu.****SPECIJALNE SIGURNOSNE UPUTE****Kod uralnog bušenja nosite zaštitu za sluh.** Djelovanje buke može uzrokovati gubitak sluha.**Koristite dodatne drške koje su isporučene sa aparatom.** Gubitak kontrole može prouzročiti povrede.**Držite spravu na izoliranim držačkim površinama kada izvodite radove kod kojih rezački alat može pogoditi skrivene vodove struje.** Kontakt rezačkog alata sa vodovima koji sprovode naponm može metalne dijelove sprave dovesti pod napon i tako dovesti do električnog udara.**Držite spravu na izoliranim držačkim površinama kada izvodite radove kod kojih rezački alat može pogoditi skrivene vodove struje.** Kontakt rezačkog alata sa vodovima koji sprovode naponm može metalne dijelove sprave dovesti pod napon i tako dovesti do električnog udara.

Piljevina ili iverje se za vrijeme rada stroja ne smiju odstranjivati.

Kod radova na zidu, stropu ili podu paziti na električne kablove kao i vodove plina i vode.

Prije svih radova na stroju izvaditi bateriju za zamjenu.

Istrošene baterije za zamjenu ne bacati u vatru ili u kućno smeće. AEG nudi mogućnost uklanjanja starih baterija odgovarajuće okolini. AEG nudi mogućnost uklanjanja starih baterija odgovarajuće okolini; upitajte molimo Vašeg stručnog trgovca.

Baterije za zamjenu ne čuvati skupa sa metalnim predmetima (opasnost od kratkog spoja).

Baterije sistema GBS puniti samo sa uređajem za punjenje sistema GBS. Ne puniti baterije iz drugih sistema.

Pod ekstremnim opterećenjem ili ekstremne temperature može iz oštećenih baterija iscuriti baterijska tekućina. Kod dodira sa baterijskom tekućinom odmah isprati sa vodom i sapunom. Kod kontakta sa očima odmah najmanje 10 minuta temeljno ispirati i odmah potražiti liječnika.

**PROPIISNA UPOTREBA**

Baterijska elektronska udarna bušilica-zavrtač su upotreblijivi univerzalno za bušenje, udarno bušenje i zavrtnje, neovisno o nekom priključku na mrežu.

Ovaj aparat se smije upotrijebiti samo u određene svrhe kao što je navedeno.

**CE-IZJAVA KONFORMNOSTI**

Izjavljujemo na osobnu odgovornost, da se ovaj proizvod slaže sa slijedećim normama ili normativnim dokumentima. EN 60745, EN 55014-1, EN 55014-2, po odredbama smjernica 2006/42/EC, 2004/108/EC.



Winnenden, 2011-07-07

Rainer Kumpf  
Manager Product Development

Ovlašten za formiranje tehničke dokumentacije.

**BATERIJE**

Nove baterije postižu svoj puni kapacitet nakon 4-5 ciklusa punjenja i pražnjenja. Baterije koje duže vremena nisu korištene, prije upotrebe napuniti.

Temperatura od preko 50°C smanjuje učinak baterija. Duže zagrijavanje od strane sunca ili grijanja izbjeći.

Prikjučne kontakte na uređaju za punjenje i baterijama držati čistima.

Za optimalni vijek trajanja se akumulatori poslije upotrebe moraju sasvim napuniti.

Za što moguće duži vijek trajanja, akumulatori se nakon punjenja moraju odstraniti iz punjača.

Kod skladištenja akumulatora duže od 30 dana:

Akumulator skladištiti na suhom kod ca. 27°C.

Akumulator skladištiti kod ca. 30%-50% stanja punjenja.

Akumulator ponovno napuniti svakih 6 mjeseci.

**ZAŠTITA OD PREOPTEREĆENJA AKUMULATORA**

Akkupack je opremljen jednom zaštitom protiv preopterećenja, koja akumulator štiti protiv preopterećenja i osigurava dugi vijek.

Kod ekstremno jakih opterećenja, elektronika akumulatora automatski isključuje stroj. Za nastavak rada stroja isključiti i ponovno uključiti. Ako se stroj ponovno ne pokrene, Akkupack je eventualno ispražnjen i mora se na punjaču ponovno napuniti.

**ODRŽAVANJE**

Primijeniti samo AEG opremu i rezervne dijelove. Sastavne dijelove, čija zamjena nije opisana, dati zamijeniti kod jedne od AEG servisnih službi (poštivati brošuru Garancija/Adrese servisa).

Po potrebi se može zatražiti crtež eksplozije aparata uz davanje podataka o tipu stroja i desetoznamenastog broja na pločici snage kod Vaše servisne službe ili direktno kod AEG Electric Tools GmbH, Max-Eyth-Straße 10, D-71364 Winnenden, Germany.

**SIMBOLI**

Molimo da pažljivo pročitate uputu o upotrebi prije puštanja u rad.



Prije svih radova na stroju izvaditi bateriju za zamjenu.



Elektricne alate ne odlažite u kućne otpatke! Prema Europskoj direktivi 2002/96/EC o starim elektricnim i elektronicnim strojevima i preuzimanju u nacionalno pravo moraju se istrošeni električni alati sakupljati odvojeno i odvesti u pogon za reciklažu.

## TEHNISKIE DATI Akumulatora sītais urbis BS 14C BSB 14C

Urbšanas diametrs tēraudā .....	13 mm	13 mm
Urbšanas diametrs kokā .....	45 mm	45 mm
Urbšanas diametrs ķieģeļos un kalķsmilšakmenī .....	14 mm	14 mm
Koka skrūves (bez iepriekšējas urbšanas) .....	8 mm	8 mm
Apgrīzieni tukšgaitā 1. ātrumā .....	0-400 min <sup>-1</sup>	0-400 min <sup>-1</sup>
Apgrīzieni tukšgaitā 2. ātrumā .....	0-1500 min <sup>-1</sup>	0-1500 min <sup>-1</sup>
maks. sitienu biežums ar slodzi .....	-	19500 min <sup>-1</sup>
Griezes moments ar papildus akumulatoru (1,5 Ah) *1 .....	43 Nm	43 Nm
Griezes moments ar papildus akumulatoru (3,0 Ah) *1 .....	47 Nm	47 Nm
Akumulatora spriegums .....	14,4 V	14,4 V
Urbja stiprinājuma amplitūda .....	1,5-13 mm	1,5-13 mm
Svars atbilstoši EPTA -Procedure 01/2003 (1,5 Ah) .....	1,7 kg	1,78 kg
Svars atbilstoši EPTA -Procedure 01/2003 (3,0 Ah) .....	1,9 kg	1,98 kg

### Trokšņu / Vibrāciju informācija

Vērtības, kas noteiktas saskaņā ar EN 60 745.

Instrumenta tipiskais pēc A vērtētais trokšņa spiediena līmenis parasti sastāda

trokšņa spiediena līmenis (K=3 dB(A)) .....	87,5 dB (A)	87,5 dB (A)
trokšņa jaudas līmenis (K=3 dB(A)) .....	98,5 dB (A)	98,5 dB (A)

### Nēsāt trokšņa slāpētāju!

Svārstību kopējā vērtība (Trīs virzienu vektoru summa) tiek noteikta atbilstoši EN 60745.

svārstību emisijas vērtība ah

Betona elektriskais urbis .....	- m/s <sup>2</sup>	10,6 m/s <sup>2</sup>
Nedrošība K= .....	- m/s <sup>2</sup>	1,5 m/s <sup>2</sup>
Metāla urbis .....	< 2,5 m/s <sup>2</sup>	< 2,5 m/s <sup>2</sup>
Nedrošība K= .....	1,5 m/s <sup>2</sup>	1,5 m/s <sup>2</sup>
Skrūvēšana .....	< 2,5 m/s <sup>2</sup>	< 2,5 m/s <sup>2</sup>
Nedrošība K= .....	1,5 m/s <sup>2</sup>	1,5 m/s <sup>2</sup>

\*1 Mērīts saskaņā ar firmas AEG normu N 877318

### UZMANĪBU

Instrukcijā norādītā svārstību robežvērtība ir izmērīta mērījumu procesā, kas veikts atbilstoši standartam EN 60745, un to var izmantot elektroinstrumentu savstarpējai salīdzināšanai. Tā ir piemērota arī svārstību noslogojuma pagaidu izvērtēšanai.

Norādītā svārstību robežvērtība ir reprezentatīva elektroinstrumenta pamata pielietojuma jomām. Tomēr, ja elektroinstrumenti tiek pielietoti citās jomās, papildus izmantojot neatbilstošus elektroinstrumentus vai pēc nepietiekamas tehniskās apkopes, tad svārstību robežvērtība var atšķirties. Tas var ievērojami palielināt svārstību noslogojumu visa darba laikā.

Precīzai svārstību noslogojuma noteikšanai, ir jāņem vērā arī laiks, kad ierīces ir izslēgta vai arī ir ieslēgta, tomēr faktiski netiek lietota. Tas var ievērojami samazināt svārstību noslogojumu visa darba laikā.

Integrējiet papildus drošības pasākumus pret svārstību ietekmi lietotājam, piemēram: elektroinstrumentu un darba instrumentu tehniskā apkope, roku siltuma uzturēšana, darba procesu organizācija.

**UZMANĪBU!** Izlasiet visu drošības instrukciju un lietošanas pamācību klāt pievienotajā bukletā. Seit sniegto drošības noteikumu un norādījumu neievērošana var izraisīt aizdegšanos un būt par cēloni elektriskajam triecienam vai nopietnam savainojumam. **Pēc izlasīšanas uzglabājiet šos noteikumus turpmākai izmantošanai.**

### SPECIĀLIE DROŠĪBAS NOTEIKUMI

Lietojiet dzirdes aizsargu, izmantojot āmururbi. Trokšņa iedarbība var izraisīt dzirdes zudumu.

Lietojiet instrumentam pievienotos papildus rokturus. Zaudējot kontroli, var gūt ievainojumus.

Leļīci turiet aiz izolētiem rokturiem, ja veicat darbus, kuros griešanas darbiem izmantojamais instruments var skart paslēptus elektro vadus. Šī instrumenta saskare ar strāvu vadošiem kabeļiem var radīt spriegumu arī ierīces metālistikajās daļās un var izraisīt elektrisko triecienu.

Turiet ierīci aiz izolētajām turēšanas virsmām, veicot darbus, kur skrūve var skart apslēptus elektrības vadus. Skrūves kontakts ar spriegumu vadošu vadu var ierīces metāla daļās uzlādēt un novest pie elektriskās strāvas trieciena.

Skaidas un atlūzas nedrīkst ņemt ārā, kamēr mašīna darbojas.

Veicot darbus sienu, griestu un grīdas apvidū, vajag uzmanīties, lai nesabojātu elektriskos, gāzes un ūdens vadus.

Pirms mašīnai veikt jebkāda veida apkopes darbus, ir jāizņem arī akumulators.

Izmantotos akumulārus nedrīkst mest ugunī vai parastajos atkritumos. Firma AEG piedāvā iespēju vecos akumulātorus savākt apkārtējo vidi saudzējošā veidā; jautājiet specializētā veikalā.

Akumulātorus nav ieteicams glabāt kopā ar metāla priekšmetiem (iespējams īsslēgums).

GBS sistēmas akumulātorus lādēt tikai ar GBS sistēmas lādētājiem. Nedrīkst lādēt citus akumulātorus no citām sistēmām.

Pie ārkārtas slodzes un ārkārtas temperatūrām no bojātā akumulātorā var izteciēt akumulātorā šķidrums. Ja nonākat saskarsmē ar akumulātorā šķidrumu, saskarsmes vieta nekavējoties jānomazgā ar ūdeni un ziepēm. Ja šķidrums nonācis acīs, acis vismaz 10 min. skalot un nekavējoties konsultēties ar ārstu.

### NOTEIKUMIEM ATBILSTOŠS IZMANTOJUMS

Elektroniskā triecienu bīdāmā mašīna ar akumulatoriem ir universāli izmantojama urbšanai, urbšanai ar perforāciju un skrūvēšanai neatkarīgi no tīkla pieslēguma.

Šo instrumentu drīkst izmantot tikai saskaņā ar minētajiem lietošanas noteikumiem.

### ATBILSTĪBA CE NORMĀM

Ar šo apliecinām, ka esam atbildīgi par to, lai šis produkts atbilstu sekojošām normām vai normatīvajiem dokumentiem: EN 60745, EN 55014-1, EN 55014-2, saskaņā ar direktīvu 2006/42/EK, 2004/108/EK noteikumiem.



Winnenden, 2011-07-07

*Rainer Kumpf*

Rainer Kumpf  
Manager Product Development

Pilnvarotais tehniskās dokumentācijas sastādīšanā.

### AKUMULĀTORI

Jauni akumulātori sasniedz pilnu kapacitāti pēc 4-5 uzlādēšanas un izlādēšanās cikliem. Akumulātori, kas ilgāku laiku nav izmantoti, pirms lietošanas jāuzlādē.

Pie temperatūras, kas pārsniedz 50°C, akumulātoru darbība tiek negatīvi ietekmēta. Vajag izvairīties no ilgākas saules un karstuma iedarbības.

Lādētāja un akumulātoru pievienojuma kontakti jāuztur tīri.

Lai baterijām būtu optimāls mūžs, pēc lietošanas bateriju bloks pilnībā jāuzlādē.

Lai akumulatori kalpotu pēc iespējas ilgāku laiku, tos pēc uzlādes ieteicams atvienot no lādētāj ierīces.

Akumulatora uzglabāšana ilgāk kā 30 dienas: uzglabāt akumulatoru pie aptuveni 27°C un sausā vietā. Uzglabāt akumulatoru uzlādes stāvoklī aptuveni pie 30%-50%.

Uzlādēt akumulatoru visus 6 mēnešus no jauna.

### AKUMULATORA AIZSARDZĪBA PRET PĀRSLOGOJUMU

Akumulatoru bloks ir aprīkots ar pretpārslogojuma aizsardzību, kas akumulatoru pasargā no pārslogojuma un nodrošina ilgu tā kalpošanas laiku.

Ārkārtīgi augsta noslogojuma gadījumā akumulatora elektronika ierīci automātiski izslēdz. Lai darbu turpinātu, ierīci izslēdziet un atkal ieslēdziet. Ja ierīce neieslēdzas, iespējams, ka akumulatoru bloks ir izlādējies un ir jāuzlādē no jauna.

### APKOPE

Izmantojiet tikai firmu AEG piederumus un firmas rezerves daļas. Lieciet nomainīt detaļas, kuru nomaīņa nav aprakstīta, kādā no firmu AEG klientu apkalpošanas servisiem. (Skat. brošūru Garantija/klientu apkalpošanas serviss.)

Ja nepieciešams, klientu apkalpošanas servisā vai tieši pie firmas AEG Electric Tools GmbH, Max-Eyth-Straße 10, D-71364 Winnenden, Germany, var pieprasīt instrumenta eksplozijas zīmējumu, šim nolūkam jāuzrāda mašīnas tips un desmitvietīgais numurs, kas norādīts uz jaudas paneļa.

### SIMBOLI



Pirms sākt lietot instrumentu, lūdz, izlasiet lietošanas pamācību.



Pirms mašīnai veikt jebkāda veida apkopes darbus, ir jāizņem arī akumulators.



Neizmetiet elektroiekartas sadzīves atkritumos! Saskaņā ar Eiropas Direktīvu 2002/96/EK par lietotajam iekartām, elektronikas iekartām un tas iekļaušanu valsts likumdošana lietotās ekroiekartas ir jāsavac atsevišķi un jānogada otrreizējai pārstrādei videi draudzīga veida.

**TECHINIAI DUOMENYS Smūginis atsuktuvas / grąžtas su akumuliatoriumi**

	BS 14C	BSS 14C
Gręžimo ø pliene .....	13 mm	13 mm
Gręžimo ø medienoje .....	45 mm	45 mm
Gręžimo ø galvutė degtose ir silikatinėse plytose .....	14 mm	14 mm
Medvaržčiai (be išankstinio gręžimo) .....	8 mm	8 mm
Sūkių skaičius laisva eiga 1. pavara .....	0-400 min <sup>-1</sup>	0-400 min <sup>-1</sup>
Sūkių skaičius laisva eiga 2. pavara .....	0-1500 min <sup>-1</sup>	0-1500 min <sup>-1</sup>
Maks. smūgių skaičius su apkrova .....	19500 min <sup>-1</sup>	19500 min <sup>-1</sup>
Sukimo momentas su keičiamu akumuliatoriumi (1,5 Ah) *1 .....	43 Nm	43 Nm
Sukimo momentas su keičiamu akumuliatoriumi (3,0 Ah) *1 .....	47 Nm	47 Nm
keičiamo akumuliatoriaus įtampa .....	14,4 V	14,4 V
Grąžto patrono veržimo diapazonas .....	1,5-13 mm	1,5-13 mm
Prietaiso svoris įvertintas pagal EPTA 2003/01 tyrimų metodiką. (1,5 Ah) .....	1,7 kg	1,78 kg
Prietaiso svoris įvertintas pagal EPTA 2003/01 tyrimų metodiką. (3,0 Ah) .....	1,9 kg	1,98 kg

**Informacija apie keliamą triukšmą / vibraciją**

Vertės matuotos pagal EN 60 745.

Prietaisui būdingas garso slėgio lygis, koreguotas pagal A dažnio charakteristiką.

Garso slėgio lygis (K=3 dB(A)) .....	87,5 dB (A)	87,5 dB (A)
Garso galios lygis (K=3 dB(A)) .....	98,5 dB (A)	98,5 dB (A)

**Nešioti klausos apsauginės priemonės!**

Bendroji svyravimų reikšmė (trijų krypčių vektorių suma), nustatyta remiantis EN 60745.

Vibravimų emisijos reikšmės ah

Betono perforavimas .....	- m/s <sup>2</sup>	10,6 m/s <sup>2</sup>
Paklaida K= .....	- m/s <sup>2</sup>	1,5 m/s <sup>2</sup>
Metalo gręžimas .....	< 2,5 m/s <sup>2</sup>	< 2,5 m/s <sup>2</sup>
Paklaida K= .....	1,5 m/s <sup>2</sup>	1,5 m/s <sup>2</sup>
Prisukimas varžtais .....	< 2,5 m/s <sup>2</sup>	< 2,5 m/s <sup>2</sup>
Paklaida K= .....	1,5 m/s <sup>2</sup>	1,5 m/s <sup>2</sup>

\*1 Matuojant pagal AEG normą N 877318

**DĖMESIO**

Instrukcijoje nurodyta svyravimų ribinė vertė yra išmatuota remiantis standartu EN 60745; ji gali būti naudojama keliems elektriniams instrumentams palyginti. Ji taikoma ir laikinai įvertinti svyravimų apkrova.

Nurodyta svyravimų ribinė vertė yra taikoma pagrindinėse elektrinio instrumento naudojimo srityse. Svyravimų ribinė vertė gali skirtis naudojant elektrinį instrumentą kitose srityse, papildomai naudojant netinkamus elektrinius instrumentus arba juos nepakankamai techniškai prižiūrint. Dėl to viso darbo metu gali žymiai padidėti svyravimų apkrova.

Siekiant tiksliai nustatyti svyravimų apkrovą, būtina atsižvelgti ir į laikotarpį, kai įrenginys yra išjungtas arba įjungtas, tačiau faktiškai nenaudojamas. Dėl to viso darbo metu gali žymiai sumažėti svyravimų apkrova.

Siekiant apsaugoti vartotojus nuo svyravimo įtakos naudojamos papildomos saugos priemonės, pavyzdžiui, elektrinių darbo instrumentų techninė priežiūra, rankų šilumos palaikymas, darbo procesų organizavimas.

**⚠ DĖMESIO! Perskaitykite visas saugumo pastabas ir nurodymus, esančius pridėtoje brošiūroje.** Jei nepaisysite žemiau pateiktų saugos nurodymų ir reikalavimų, gali trenkti elektros smūgis, kilti gaisras ir/arba galite sunkiai susižaloti arba sužaloti kitus asmenis.

**Išsaugokite šias saugos nuorodas ir reikalavimus, kad ir ateityje galėtumėte jais pasinaudoti.**

**YPATINGOS SAUGUMO NUORODOS**

Dirbdami su smūginio grąžtu, visuomet naudokite apsauginės ausų priemones. Dėl didelio triukšmo poveikio gali būti pažeidžiama klausos.

Naudokite į prietaiso komplektaciją įeinančias papildomas rankenas. Nesuvaldžius prietaiso galima susižeisti.

Dirbdami laikykite prietaisą už izoliuotų vietų, kuriose pjovimo įrenginys pats galėtų liesti paslėptus laidus. Pjovimo įrenginio kontaktas su įtampos laidais gali įelektrinti metalines prietaiso dalis, o tai gali sukelti elektros iškvrovą.

Prietaisą laikykite ant izoliuoto guminio paviršiaus, jei atliekate darbus, kurių metu sraigtas gali pasiekti sulenktas srovės tiekimo linijas. Sraigtau prisilietus prie įtampą tiekiančių linijų gali įsikrauti prietaiso dalys ir įvykti elektros smūgis.

Draudžiama išiminėti drožles ar nuopjovas, įrenginiui veikiant.

**CE ATITIKTIES PAREIŠKIMAS**

Mes atsakingai pareiškiame, kad šis gaminytis atitinka tokias normas arba normatyvinius dokumentus: EN 60745, EN 55014-1, EN 55014-2, pagal direktyvų 2006/42/EB, 2004/108/EB reikalavimus.



Winnenden, 2011-07-07

Rainer Kumpf  
Manager Product Development

Įgalios parengti techninius dokumentus.

**AKUMULIATORIAI**

Nauji keičiami akumuliatoriai savo pilną talpą įgyja po 4-5 įkrovos ir iškrovos ciklų. Ilgesnį laiką nenaudotus keičiamus akumuliatorius prieš naudojimą įkraukite.

Aukštesnė nei 50°C temperatūra mažina keičiamų akumuliatorių galią. Venkite ilgesnio saulės ar šilumos šaltinių poveikio.

Įkroviklio ir keičiamo akumuliatoriaus jungiamieji kontaktai visada turi būti švarūs.

Pasinaudoję prietaisu, visiškai įkraukite akumuliatorių, kad prietaisais veiktų optimaliai ilgai.

Siekiant užtikrinti kuo ilgesnį baterijos tarnavimo laiką, reikėtų ją po atlikto įkrovimo iškart išimti iš įkroviklio.

Bateriją laikant ilgiau nei 30 dienų, būtina atkreipti dėmesį į šias nuorodas: bateriją laikyti sausoje aplinkoje, esant apie 27 °C temperatūrai. Baterijos įkrovimo lygis turi būti nuo 30% iki 50%. Baterija pakartotinai turi būti įkraunama kas 6 mėnesius.

**APSAUGA NUO AKUMULIATORIAUS PERKROVOS**

Akumuliatorių blokas turi apsaugą nuo perkrovos, kuri leidžia išvengti perkrovų ir užtikrina jo eksploatacijos ilgaamžiškumą.

Esant didelėms apkrovoms, akumuliatoriaus elektroninė sistema prietaisą išjungia automatiškai. Kad prietaisais dirbtų toliau, reikia jį išjungti ir vėl įjungti. Jeigu prietaisais neįsijungia, esant galimybei, akumuliatoriaus komplektą reikia iškrauti ir įkroviklyje iš naujo įkrauti.

**TECHINIS APTARNAVIMAS**

Naudokite tik AEG priedus ir atsargines dalis. Dalis, kurių keitimas neaprašytas, leidžiama keisti tik AEG klientų aptarnavimo skyriams (žr. garantiją/klientų aptarnavimo skyrių adresus brošiūroje).

Jei reikia, nurodant įrenginio tipą bei specifikacijų lentelėje esantį dešimtženklį numerį, iš klientų aptarnavimo skyriaus arba tiesiai iš AEG Electric Tools GmbH, Max-Eyth-Straße 10, D-71364 Winnenden, Germany, galima užsakyti prietaiso surinkimo brėžinius.

Dirbdami sienoje, lubose arba grindyse, atkreipkite dėmesį į elektros laidus, dujų ir vandens vamzdžius.

Prieš atlikdami bet kokius darbus įrenginyje, išimkite keičiamą akumuliatorių.

Sunaudotų keičiamų akumuliatorių nedeginkite ir nemeskite į buitines atliekas. AEG siūlo tausojantį aplinką sudėvėtų keičiamų akumuliatorių tvarkymą, apie tai prekybos atstovo.

Keičiamų akumuliatorių nelaikykite kartu su metaliniais daiktais (trumpojo jungimo pavojus).

Keičiamus GBS sistemos akumuliatorius kraukite tik GBS sistemos įkrovikliais. Nekraukite kitų sistemų akumuliatorių.

Ekstremalių apkrovų arba ekstremalios temperatūros poveikyje iš keičiamų akumuliatorių gali ištekėti akumuliatoriaus skystis. Išsitepus akumuliatoriaus skysčiu, tuoj pat nuplaukite vandeniu su muilu. Patekus į akis, tuoj pat ne trumpiau kaip 10 minučių gausiai skalaukite vandeniu ir tuoj pat kreipkitės į gydytoją.

**NAUDOJIMAS PAGAL PASKIRTĮ**

Akumuliatorinį smūginį suktuvą-gręžtuvą galima universaliai naudoti gręžimui, smūginiam gręžimui ir sukimui nepriklausomai nuo elektros tinklo.

Šį prietaisą leidžiama naudoti tik pagal nurodytą paskirtį.

**SYMBOLIAI**

Prieš pradėdami dirbti su prietaisu, atidžiai perskaitykite jo naudojimo instrukciją.



Prieš atlikdami bet kokius darbus įrenginyje, išimkite keičiamą akumuliatorių.



Neišmeskite elektros įrengimų i buitinius šiukšlynus! Pagal ES Direktyva 2002/96/EB del naudoto įrengimų, elektros įrengimų ir ju ištraukimo i valstybinius įstatymus naudotus įrengimus būtina suringti atskirai ir nugabenti antriniu žaliavu perdirbimui aplinkai nekenksmingu budu.

**TEHNILISED ANDMED** **Juhtmeta löökpuur** **BS 14C** **BSB 14C**

Puurimisläbimõõt terases	13 mm	13 mm
Puuri ø puidus	45 mm	45 mm
Puuri ø tellistes ja silikaatkivides	14 mm	14 mm
Puidukruvid (eelpuurimiseta)	8 mm	8 mm
Pöörlemiskiirus tühjooksul 1. käigul	0-400 min <sup>-1</sup>	0-400 min <sup>-1</sup>
Pöörlemiskiirus tühjooksul 2. käigul	0-1500 min <sup>-1</sup>	0-1500 min <sup>-1</sup>
Löökide arv koormusega maks.	19500 min <sup>-1</sup>	19500 min <sup>-1</sup>
Pöördemoment koos vahetatava akuga (1,5 Ah) *1	43 Nm	43 Nm
Pöördemoment koos vahetatava akuga (3,0 Ah) *1	47 Nm	47 Nm
Vahetatava aku pingeline	14,4 V	14,4 V
Puuripadruni pingutusvahemik	1,5-13 mm	1,5-13 mm
Kaal vastavalt EPTA-protseduurile 01/2003 (1,5 Ah)	1,7 kg	1,78 kg
Kaal vastavalt EPTA-protseduurile 01/2003 (3,0 Ah)	1,9 kg	1,98 kg

**Müra / Vibratsiooni andmed**

Mõõteväärtused on kindlaks tehtud vastavalt normile EN 60 745.

Seadme A-filtriga hinnatud helirõhutase on tüüpiliselt

Helirõhutase (K=3 dB(A))	87,5 dB (A)	87,5 dB (A)
Helivõimsuse tase (K=3 dB(A))	98,5 dB (A)	98,5 dB (A)

**Kandke kaitseks kõrvaklappe!**

Vibratsiooni koguväärtus (kolme suuna vektorsumma) mõõdetud EN 60745 järgi.

Vibratsiooni emissiooni väärtus ah

Betooni löökpuurimine	- m/s <sup>2</sup>	10,6 m/s <sup>2</sup>
Määramatus K=	- m/s <sup>2</sup>	1,5 m/s <sup>2</sup>
Metalli puurimine	< 2,5 m/s <sup>2</sup>	< 2,5 m/s <sup>2</sup>
Määramatus K=	1,5 m/s <sup>2</sup>	1,5 m/s <sup>2</sup>
Kruvimine	< 2,5 m/s <sup>2</sup>	< 2,5 m/s <sup>2</sup>
Määramatus K=	1,5 m/s <sup>2</sup>	1,5 m/s <sup>2</sup>

\*1 Mõõdetud vastavalt AEG normile N 877318

**TÄHELEPANU**

Antud juhendis toodud võnketase on mõõdetud EN 60745 standardile vastava mõõtesüsteemiga ning seda võib kasutada erinevate elektriseadmete omavahelises võrdlemises. Antud näitaja sobib ka esmaseks võnkekoormuse hindamiseks.

Antud võnketase kehtib elektriseadme kasutamisel sihtotstarbeliselt. Kui elektriseadet kasutatakse muudel otstarvetel, muude tööriistadega või seda ei hooldata piisavalt võib võnketase siintoodust erineda. Eeltoodu võib võnketaset märkimisväärselt tõsta terves töökeskkonnas.

Võnketaseme täpseks hindamiseks tuleks arvestada ka aega, mil seade on välja lülitatud või on küll sisse lülitatud, kuid ei ole otseselt kasutuses. See võib märgatavalt vähendada kogu töökeskkonna võnketaset.

Rakendage spetsiaalseid ettevaatusabinõusid töötajate suhtes, kes puutuvad töö käigus palju kokku vibratsiooniga. Nendeks abinõudeks võivad olla, näiteks: elektri- ja tööseadmete korraline hooldus, käte soojendamine, töövoo parem organiseerimine.

**⚠ TÄHELEPANU! Lugege kõik ohutusnõuanded ja juhendid läbi, ka juures olevast brošüürist.** Ohutusnõuete ja juhiste eiramise tagajärjeks võib olla elektrilööki, tulekahju ja/või rasked vigastused.

**Hoidke kõik ohutusnõuanded ja juhised edasiseks kasutamiseks hoolikalt alles.**

**SPETSIAALSED TURVAJUHISED**

Kandke löökpuurimisel kuulmekaitset. Müra toime võib põhjustada kuulmiskadu.

Kasutage seadmega koos tarnitud lisakäepidemid. Kontrolli kaotamine võib põhjustada vigastusi.

Tööde puhul, kus löikeseade võib minna vastu peidetud elektrijuhtmeid, hoidke kinni seadme isoleeritud käepidemetest. Kokkupuude pingestatud juhtmega võib pingestada ka löikeseadme metallist osad ning põhjustada elektrilööki.

Hoidke käed seadme isoleeritud käepidemedel, kui Te teostate töid, mille juures kruvi võib sattuda varjatud voolujuhtmetele. Kruvi kontakt pinget juhtiva juhtmega võib panna metallist seadme osad pingele alla ja põhjustada elektrilööki.

Puru ega pilpaid ei tohi eemaldada masina töötamise ajal.

Seina, lae või põranda tööde puhul pidage silmas elektrijuhtmeid, gaasi- ja veetorusid.

Enne kõiki töid masina kallal võtke vahetatav aku välja.

**EÜ VASTAVUSAVALDUS**

Me deklareerime ainuvastutajatena, et antud toode on kooskõlas järgmiste normide või normdokumentidega: EN 60745, EN 55014-1, EN 55014-2, vastavalt direktiivide 2006/42/EÜ, 2004/108/EÜ sätetele.



Winnenden, 2011-07-07

Rainer Kumpf  
Manager Product Development

On volitatud koostama tehnilist dokumentatsiooni.

**AKUD**

Uued vahetatavad akud saavutavad oma täieliku mahtuvuse pärast 4–5 laadimis- ja tühjendustsüklit. Pikemat aega mittekasutatud akusid laadige veel enne kasutamist.

Temperatuur üle 50 °C vähendab vahetatava aku töövoimet. Vältige pikemat soojenemist päikese või kütteseadme mõjul.

Hoidke laadija ja vahetatava aku ühenduskontaktid puhtad.

Patreide optimaalse eluea tagamiseks, pärast kasutamist täielikult lae pateride plokki.

Akud tuleks võimalikult pika kasutusea saavutamiseks pärast täislaadimist laadijast välja võtta.

Aku ladustamisel üle 30 päeva:

Ladustage akut kuivas kohas u 27°C juures.

Ladustage akut u 30-50% laetussesundis.

Laadige aku iga 6 kuu tagant täis.

**AKU KOORMUSKAITSE**

Akuplokk on varustatud koormuskaitsega, mis kaitseb akut üleliigse koormuse eest ning kindlustab selle pika eluea. Äärmiselt suurest koormusest annab märku vilkuv töötil. Kui koormust ei vähendata, siis lülitab masin ennast automaatselt välja. Edasi töötamiseks tuleb masin välja ja uuesti sisse lülitada. Kui masin ei lähe uuesti tööle on akuplokk nähtavasti tühi ja tuleks laadimiseseadmega uuesti täis laadida.

**HOOLDUS**

Kasutage ainult AEG tarvikuid ja tagavaraosi. Detailid, mille väljavahetamist pole kirjeldatud, laske välja vahetada AEG klienditeeninduspunkti (vaadake brošüüri garantii / klienditeeninduste aadressid).

Vajaduse korral võite tellida seadme läbilõikejoonise, näidates ära masina tüübi ja andmesildil oleva kümnekohalise numbrit. Selleks pöörduge klienditeeninduspunkti või otse: AEG Electric Tools GmbH, Max-Eyth-Straße 10, D-71364 Winnenden, Germany.

Ärge visake tarvitatud vahetatavaid akusid tulle ega olmeprügisse. AEG pakub vanade akude keskkonnahoidlikku käitlust; palun küsige oma erialaselt tarnijalt.

Ärge säilitage vahetatavaid akusid koos metalliesemetega (lühiseoht).

Laadige süsteemi GBS vahetatavaid akusid ainult süsteemi GBS laadijatega. Ärge laadige nendega teiste süsteemide akusid.

Äärmuslikul koormusel või äärmuslikul temperatuuril võib kahjustatud vahetatavast akust akuedelik välja voolata. Akuedelikuga kokkupuutumise korral peske kohe vee ja seebiga. Silma sattumise korral loputage kiiresti põhjalikult vähemalt 10 minutit ning pöörduge viivitamatult arsti poole.

**KASUTAMINE VASTAVALT OTSTARBELE**

Elektroonilist akulööktrell-kruvikeerajat saab sõltumata võrguühendusest universaalselt rakendada puurimiseks, löökpuurimiseks ja kruvide keeramiseks.

Antud seadet tohib kasutada ainult vastavalt äranäidatud otstarbele.

**SÜMBOLID**

Palun lugege enne käikulaskmist kasutamisujuhend hoolikalt läbi.



Enne kõiki töid masina kallal võtke vahetatav aku välja.



Ärge käideldage kasutuskõlbmatuks muutunud elektrilisi tööriistu koos olmejäätmetega! Vastavalt Euroopa Parlamendi ja nõukogu direktiivile 2002/96/EÜ elektri- ja elektroonikaseadmete jäätmete kohta ning direktiivi nõuete kohaldamisele liikmesriikides tuleb asutuskõlbmatuks muutunud elektrilised tööriistad koguda eraldi ja keskkonnasäästlikult korduskasutada või ringlusse võtta.

**ТЕХНИЧЕСКИЕ ДАННЫЕ** Акк. Ударная дрель/шурупверт

	BS 14C	BSB 14C
Производительность сверления в стали .....	13 mm	13 mm
Производительность сверления в дереве .....	45 mm	45 mm
Производительность сверления в кирпич и кафель .....	14 mm	14 mm
Шурупы для дерева (без предварительного засверливания) .....	8 mm	8 mm
Число оборотов без нагрузки (об/мин) 1-ая передача .....	0-400 min <sup>-1</sup>	0-400 min <sup>-1</sup>
Число оборотов без нагрузки (об/мин) 2-я скорость .....	0-1500 min <sup>-1</sup>	0-1500 min <sup>-1</sup>
Количество ударов при максимальной нагрузке (макс.) ..	19500 min <sup>-1</sup>	19500 min <sup>-1</sup>
Момент затяжки с аккумулятором (1,5 Ач) *1 .....	43 Nm	43 Nm
Момент затяжки с аккумулятором (3,0 Ач) *1 .....	47 Nm	47 Nm
Вольтаж аккумулятора .....	14,4 V	14,4 V
Диапазон раскрытия патрона .....	1,5-13 mm	1,5-13 mm
Вес согласно процедуре EPTA 01/2003 (1,5 Ач) .....	1,7 kg	1,78 kg
Вес согласно процедуре EPTA 01/2003 (3,0 Ач) .....	1,9 kg	1,98 kg

**Информация по шумам / вибрации**

Значения замерялись в соответствии со стандартом EN 60 745. Обычное низкочастотное звуковое давление, производимое инструментом, составляет

Уровень звукового давления (K=3 dB(A)) .....	87,5 dB (A)	87,5 dB (A)
Уровень звуковой мощности (K=3 dB(A)) .....	98,5 dB (A)	98,5 dB (A)

**Пользуйтесь приспособлениями для защиты слуха.**

Общие значения вибрации (векторная сумма трех направлений) определены в соответствии с EN 60745.

Значение вибрационной эмиссии ah

Ударное сверление в бетоне .....	- m/s <sup>2</sup>	10,6 m/s <sup>2</sup>
Небезопасность K= .....	- m/s <sup>2</sup>	1,5 m/s <sup>2</sup>
Сверление в металле .....	< 2,5 m/s <sup>2</sup>	< 2,5 m/s <sup>2</sup>
Небезопасность K= .....	1,5 m/s <sup>2</sup>	1,5 m/s <sup>2</sup>
Завинчивание .....	< 2,5 m/s <sup>2</sup>	< 2,5 m/s <sup>2</sup>
Небезопасность K= .....	1,5 m/s <sup>2</sup>	1,5 m/s <sup>2</sup>

\*1 Измерения согласно нормативам AEG № 877318

**ВНИМАНИЕ**

Указанный в настоящем руководстве уровень вибрации измерен в соответствии с технологией измерения, установленной стандартом EN 60745 и может использоваться для сравнения электроинструментов друг с другом. Он также подходит для предварительной оценки вибрационной нагрузки.

Указанный уровень вибрации представляет основные виды использования электроинструмента. Но если электроинструмент используется для других целей, используемый инструмент отклоняется от указанного или техническое обслуживание было недостаточным, то уровень вибрации может отклоняться от указанного. В этом случае вибрационная нагрузка в течение всего периода работы значительно увеличивается.

Для точной оценки вибрационной нагрузки необходимо также учитывать время, в течение которого прибор отключен или включен, но фактически не используется. В этом случае вибрационная нагрузка в течение всего периода работы может существенно уменьшиться.

Установите дополнительные меры безопасности для защиты пользователя от воздействия вибрации, например: техническое обслуживание электроинструмента и используемого инструмента, поддержание рук в теплом состоянии, организация рабочих процессов.

**⚠ ВНИМАНИЕ! Ознакомьтесь со всеми указаниями по безопасности и инструкциями, в том числе с инструкциями, содержащимися в прилагающейся брошюре.** Упущения, допущенные при соблюдении указаний и инструкций по технике безопасности, могут стать причиной электрического поражения, пожара и тяжелых травм.  
**Сохраняйте эти инструкции и указания для будущего использования.**

**РЕКОМЕНДАЦИИ ПО ТЕХНИКЕ БЕЗОПАСНОСТИ**

**При ударном сверлении надевайте защитные наушники.** Воздействие шума может привести к потере слуха.

**Используйте вспомогательные рукоятки, поставляемые вместе с инструментом.** Потеря контроля может стать причиной травмы.

**Если Вы выполняете работы, при которых режущий инструмент может зацепить скрытую электропроводку кабель, инструмент следует держать за специально предназначенные для этого изолированные поверхности.** Контакт режущего инструмента с токоведущим проводом может ставить под напряжение металлические части прибора, а также приводить к удару электрическим током.

**Если Вы выполняете работы, при которых болт может зацепить скрытую электропроводку, устройство следует держать за специально предназначенные для этого изолированные поверхности.** Контакт болта с токоведущим проводом может ставить под напряжение металлические части прибора, а также приводить к удару электрическим током.

Не убирайте опилки и обломки при включенном инструменте.

При работе в стенах, потолках или полу следите за тем, чтобы не повредить электрические кабели или водопроводные трубы.

Выньте аккумулятор из машины перед проведением с ней каких-либо манипуляций.

Не выбрасывайте использованные аккумуляторы вместе с домашним мусором и не сжигайте их. Дистрибьюторы компании AEG предлагают восстановление старых аккумуляторов, чтобы защитить окружающую среду.

Не храните аккумуляторы вместе с металлическими предметами во избежание короткого замыкания.

Для зарядки аккумуляторов модели GBS используйте только зарядным устройством GBS. Не заряжайте аккумуляторы других систем.

Аккумуляторная батарея может быть повреждена и дать течь под воздействием чрезмерных температур или повышенной нагрузки. В случае контакта с аккумуляторной кислотой немедленно промойте место контакта мылом и водой. В случае попадания кислоты в глаза промойте глаза в течении 10 минут и немедленно обратитесь за медицинской помощью.

**ИСПОЛЬЗОВАНИЕ**

Электронная ударная дрель/шурупверт AEG сконструирована для простого сверления, ударного сверления, закручивания шурупов в местах, необеспеченных электропитанием.

Не пользуйтесь данным инструментом способом, отличным от указанного для нормального применения.

**ДЕКЛАРАЦИЯ О СООТВЕТСТВИИ СТАНДАРТАМ ЕС**

Мы заявляем что этот продукт соответствует следующим стандартам: EN 60745, EN 55014-1, EN 55014-2, в соответствии с правилами 2006/42/EC, 2004/108/EC.



Winnenden, 2011-07-07

*Rainer Kumpf*

Rainer Kumpf  
Manager Product Development

Уполномочен на составление технической документации.

**АККУМУЛЯТОР**

Новый аккумулятор заряжается до полной емкости после 4 - 5 зарядных циклов. Перед использованием аккумулятора, которым не пользовались некоторое время, его необходимо зарядить.

Температура выше 50°C снижает работоспособность аккумуляторов. Избегайте продолжительного нагрева или прямого солнечного света (риск перегрева).

Контакты зарядного устройства и аккумуляторов должны содержаться в чистоте.

Для обеспечения оптимального срока службы аккумуляторы необходимо полностью заряжать после использования.

За возможно по-длгя продолжительность на живот батареи трябва да се изваждат от уреда след зареждане.

При съхранение на батериите за повече от 30 дни: съхранявайте батериата при прилб. 27°C и на сухо място. Съхранявайте батериата при 30 до 50 % от заряда. Зареждайте батериата на всеки 6 месеца.

**ЗАЩИТА АККУМУЛЯТОРА ОТ ПЕРЕГРУЗКИ**

Аккумуляторный блок оснащен предохранителем от перегрузки, который защищает аккумулятор от перегрузки и обеспечивает долгий срок службы.

При чрезмерно сильных нагрузках электроника аккумулятора автоматически отключит машину. Для продолжения работы машину выключить и снова включить. Если машина не включается, то, возможно, разрядился аккумуляторный блок и следует зарядить его в зарядном устройстве.

**ОБСЛУЖИВАНИЕ**

Пользуйтесь аксессуарами и запасными частями только фирмы AEG. В случае возникновения необходимости в замене, которая не была описана, пожалуйста, обращайтесь на один из сервисных центров (см. список наших гарантийных/сервисных организаций).

При необходимости может быть заказан чертеж инструмента с трехмерным изображением деталей. Пожалуйста, укажите десятизначный номер и тип инструмента и закажите чертеж у Ваших местных агентов или непосредственно у AEG Electric Tools GmbH, Max-Eyth-Straße 10, D-71364 Winnenden, Germany.

**СИМВОЛЫ**

Пожалуйста, внимательно прочтите инструкцию по использованию перед началом любых операций с инструментом.



Выньте аккумулятор из машины перед проведением с ней каких-либо манипуляций.



Не выбрасывайте электроинструмент с бытовыми отходами! Согласно Европейской директиве 2002/96/EC по отходам от электрического и электронного оборудования и соответствующим нормам национального права вышедшие из употребления электроинструменты подлежат сбору отдельно для экологически безопасной утилизации.



Соответствие техническому регламенту



**ТЕХНИЧЕСКИ ДАННИ** Аккумуляторен ударен гайковерт **BS 14C** **BSS 14C**

Диаметър на свредлото за стомана	13 mm	13 mm
Диаметър на свредлото за дърво	45 mm	45 mm
Диаметър на свредлото за обикновени и силикатни тухли	14 mm	14 mm
Винтове за дърво (без предварително разпробиване)	8 mm	8 mm
Обороти на празен ход на 1. скорост	0-400 min <sup>-1</sup>	0-400 min <sup>-1</sup>
Обороти на празен ход на 2. скорост	0-1500 min <sup>-1</sup>	0-1500 min <sup>-1</sup>
Макс. брой на ударите при натоварване	19500 min <sup>-1</sup>	19500 min <sup>-1</sup>
Въртящ момент с акумулатора (1,5 Ah) *1	43 Nm	43 Nm
Въртящ момент с акумулатора (3,0 Ah) *1	47 Nm	47 Nm
Напрежение на акумулатора	14,4 V	14,4 V
Затегателна участък на патронника	1,5-13 mm	1,5-13 mm
Тегло съгласно процедурата EPTA 01/2003 (1,5 Ah)	1,7 kg	1,78 kg
Тегло съгласно процедурата EPTA 01/2003 (3,0 Ah)	1,9 kg	1,98 kg

**Информация за шума / вибрациите**

Измерените стойности са получени съобразно EN 60 745. Нивото на звуково налягане на уреда в db (A) обикновено съставлява

Ниво на звукова мощност (K=3 dB(A))	87,5 dB (A)	87,5 dB (A)
Ниво на звукова мощност (K=3 dB(A))	98,5 dB (A)	98,5 dB (A)

**Да се носи предпазно средство за слуха!**

Общите стойности на вибрациите (векторна сума на три посоки) са определени в съответствие с EN 60745.

Стойност на емисии на вибрациите аh

Ударно пробиване в бетон	- m/s <sup>2</sup>	10,6 m/s <sup>2</sup>
Несигурност K=	- m/s <sup>2</sup>	1,5 m/s <sup>2</sup>
Пробиване на метал	< 2,5 m/s <sup>2</sup>	< 2,5 m/s <sup>2</sup>
Несигурност K=	1,5 m/s <sup>2</sup>	1,5 m/s <sup>2</sup>
Завинтване	< 2,5 m/s <sup>2</sup>	< 2,5 m/s <sup>2</sup>
Несигурност K=	1,5 m/s <sup>2</sup>	1,5 m/s <sup>2</sup>

\*1 Измерено по стандарт N 877318 на AEG

**ВНИМАНИЕ**

Посоченото в тези инструкции ниво на вибрациите е измерено в съответствие със стандартизиран в EN 60745 измервателен метод и може да се използва за сравнение на електрически инструменти помежду им. Подходящ е и за временна оценка на вибрационното натоварване.

Посоченото ниво на вибрациите представя основните приложения на електрическия инструмент. Ако обаче електрическият инструмент се използва с друго предназначение, с различни сменяеми инструменти или при недостатъчна техническа поддръжка, нивото на вибрациите може да е различно. Това чувствително може да увеличи вибрационното натоварване по време на целия работен цикъл.

За точната оценка на вибрационното натоварване трябва да се вземат предвид и периодите от време, в които уредът е изключен или работи, но в действителност не се използва. Това чувствително може да намали вибрационното натоварване по време на целия работен цикъл.

Определете допълнителни мерки по техника на безопасност в защита на обслужващия работник от въздействието на вибрациите като например: техническа поддръжка на електрическия инструмент и сменяемите инструменти, поддръжане на ръцете топли, организация на работния цикъл.

**⚠ ВНИМАНИЕ! Прочетете указанията за безопасност и съветите в приложената брошура.** Неспазването на приведените по-долу указания може да доведе до токов удар, пожар и/или тежки травми.  
**Съхранявайте тези указания на сигурно място.**

**СПЕЦИАЛНИ УКАЗАНИЯ ЗА БЕЗОПАСНОСТ**

**Носете предпазни тапи за ушите при ударното пробиване.** Шумът може да доведе до загуба на слуха.

**Използвайте достъпните в уреда допълнителни ръкохватки.** Загубата на контрол може да доведе до наранявания.

**Дръжте уреда за изолираните ръкохватки, когато извършвате работи, при които режещият инструмент може да засегне скрити електроинсталационни кабели.** Контактът на режещия инструмент с тоководещ проводник може да предаде напрежението върху метални части на уреда и да доведе до токов удар.

**Когато извършвате работи, при които болтът може да докосне скрити електрически кабели, дръжте уреда за изолираните ръкохватки.** Контактът на болта с токопроводим проводник може да постави метални част на уреда под напрежение и може да Ви хване ток.

Стружки или отчупени парчета да не се отстраняват, докато машина работи.

При работа в стени, тавани или подове внимавайте за кабели, газопроводи и водопроводи.

Преди започване на каквито е да работи по машината извадете акумулатора.

Не извършвайте изхабените акумулатори в огъня или в при битовите отпадъци. AEG предлага екологосъобразно събиране на старите акумулатори; моля попитайте Вашия специализиран търговец.

Не съхранявайте акумулаторите заедно с метални предмети (опасност от късо съединение).

Акумулатори от системата GBS да се зареждат само със зарядни устройства от системата GBS laden. Да не се зареждат акумулатори от други системи.

При екстремно натоварване или екстремна температура от повредени акумулатори може да изтече батерийна течност. При допир с такава течност веднага измийте с вода и сапун. При контакт с очите веднага изплаквайте старателно най-малко 10 минути и незабавно потърсете лекар.

**ИЗПОЛЗВАНЕ ПО ПРЕДНАЗНАЧЕНИЕ**

Акумулаторният ударен пробивен винтоверт с електронно управление може универсално да се използва за пробиване, ударно пробиване и завинтване на винтове, като не зависи от захранване от мрежата.

Този уред може да се използва по предназначение само както е посочено.

**СЕ - ДЕКЛАРАЦИЯ ЗА СЪОТВЕТСТВИЕ**

Декларираме на собствена отговорност, че този продукт съответства на следните стандарти или нормативни документи: EN 60745, EN 55014-1, EN 55014-2, съобразно предписанията на директивите 2006/42/EO, 2004/108/EO.



Winnenden, 2011-07-07

Rainer Kumpf  
Manager Product Development

Упълномощен за съставяне на техническата документация

**АКУМУЛАТОРИ**

Новите сменяеми акумулатори достигат пълния си капацитет след 4-5 цикъла на зареждане и разреждане. Акумулатори, които не са ползвани по-дълго време, преди употреба да се дозаредят.

Температура над 50°C намалява мощността на акумулатора. Да се избягва по-продължително нагряване на слънце или от отопление.

Поддържайте чисти присъединителните контакти на зарядното устройство и на акумулатора.

С цел оптимална продължителност на живот след употреба батериите трябва да бъдат заредени напълно.

За възможно по-дълга продължителност на живот батериите трябва да се изваждат от уреда след зареждане.

При съхранение на батериите за повече от 30 дни: съхранявайте батерията при прибл. 27°C и на сухо място. Съхранявайте батерията при 30 до 50 % от заряда. Зареждайте батерията на всеки 6 месеца.

**ЗАЩИТА ОТ ПРЕТОВАРВАНЕ НА БАТЕРИЯТА**

Акумулаторният пакет е оборудван със защита против претоварване, която защитава акумулатора от претоварване и гарантира дълъг експлоатационен живот.

При извънредно силно натоварване електрониката на акумулатора автоматично изключва машината. За продължаване на работата изключете и отново включете машината. Ако машината не може да се пусне наново, може би акумулаторният пакет е разреден и трябва отново да се зареди в зарядното устройство.

**ПОДДРЪЖКА**

Да се използват само аксесоари на AEG и резервни части на. Елементи, чията подмяна не е описана, да се дадат за подмяна в сервиз на AEG (вижте брошурата Гаранция и адреси на сервиси).

При необходимост можете да поискате за уреда от Вашия сервиз или директно от AEG Electric Tools GmbH, Max-Eyth-Straße 10, D-71364 Winnenden, Germany, чертеж за в случай на експлозия, като посочите типа на машината и десетцифрения номер върху заводската табелка.

**СИМВОЛИ**

Преди пускане на уреда в действие моля прочетете внимателно инструкцията за използване.



Преди започване на каквито е да работи по машината извадете акумулатора.



Не извършвайте електроинструменти при битовите отпадъци! Съобразно Европейска директива 2002/96/EO за стари електрически и електронни уреди и нейното реализиране в националното законодателство изхабените електроинструменти трябва да се събират отделно и да се предават в пункт за екологосъобразно рециклиране.

DATE TEHNICE	Mașină de găurit/înșurubat compactă cu acumulator	BS 14C	BSS 14C
Capacitate de găurire în oțel	.....	13 mm	13 mm
Capacitate de găurire în lemn	.....	45 mm	45 mm
Capacitate de perforare în cărămidă și țiglă	.....	-	14 mm
Șuruburi pt. lemn (fără pregăurire)	.....	8 mm	8 mm
Viteza de mers în gol , prima treaptă de putere	.....	0-400 min <sup>-1</sup>	0-400 min <sup>-1</sup>
Viteza de mers în gol, a 2-a treaptă	.....	0-1500 min <sup>-1</sup>	0-1500 min <sup>-1</sup>
Rata de percuție sub sarcina max.	.....	-	19500 min <sup>-1</sup>
Cuplu cu acumulator (1,5 Ah) *1	.....	43 Nm	43 Nm
Cuplu cu acumulator (3,0 Ah) *1	.....	47 Nm	47 Nm
Tensiune acumulator	.....	14,4 V	14,4 V
Interval de deschidere burghiu	.....	1,5-13 mm	1,5-13 mm
Greutatea conform EPTA procedura 01/2003 (1,5 Ah)	.....	1,7 kg	1,78 kg
Greutatea conform EPTA procedura 01/2003 (3,0 Ah)	.....	1,9 kg	1,98 kg

#### Informație privind zgomotul / vibrațiile

Valori măsurate determinate conform EN 60 745.

Valoarea reală A a nivelului presiunii sonore a sculei este :

Nivelul presiunii sonore (K=3 dB(A))	.....	87,5 dB (A)	87,5 dB (A)
Nivelul sunetului (K=3 dB(A))	.....	98,5 dB (A)	98,5 dB (A)

#### Purtați căști de protecție

Valorile totale de oscilație (suma vectorială pe trei direcții) determinate conform normei EN 60745.

Valoarea emisiei de oscilații ah

Găurit cu percuție în beton	.....	- m/s <sup>2</sup>	10,6 m/s <sup>2</sup>
Nesiguranță K=	.....	- m/s <sup>2</sup>	1,5 m/s <sup>2</sup>
Găurit în metal	.....	< 2,5 m/s <sup>2</sup>	< 2,5 m/s <sup>2</sup>
Nesiguranță K=	.....	1,5 m/s <sup>2</sup>	1,5 m/s <sup>2</sup>
Înșurubare	.....	< 2,5 m/s <sup>2</sup>	< 2,5 m/s <sup>2</sup>
Nesiguranță K=	.....	1,5 m/s <sup>2</sup>	1,5 m/s <sup>2</sup>

\*1 Masurată conform normei AEG N 877318.

#### AVERTISMENT

Gradul de oscilație indicat în prezentele instrucțiuni a fost măsurat în conformitate cu o procedură de măsurare normată prin norma EN 60745 și poate fi folosit pentru a compara unelte electrice între ele. El se pretează și pentru o evaluare provizorie a solicitării la oscilații.

Gradul de oscilație indicat reprezintă aplicațiile principale ale uneltelor electrice. În cazul în care însă uneltele electrice au fost folosite pentru alte aplicații, ori au fost folosite unelte de muncă diferite ori acestea nu au fost supuse unei suficiente inspecții de întreținere, gradul de oscilație poate fi diferit. Acest fapt poate duce la o creștere netă a solicitărilor la oscilații dealungul întregii perioade de lucru.

În scopul unei evaluări exacte a solicitării la oscilații, urmează să fie luate în considerație și perioadele de timp în care aparatul a fost oprit ori funcționează dar, în realitate, el nu este folosit în mod practic. Acest fapt poate duce la o reducere netă a solicitărilor la oscilații dealungul întregii perioade de lucru.

Stabiliți măsuri de siguranță suplimentare în scopul protecției utilizatorului de efectele oscilațiilor, de exemplu: inspecție de întreținere a uneltelor electrice și a celor de muncă, păstrarea caldă a mâinilor, organizarea proceselor de muncă.

#### ⚠️ AVERTISMENT! Citiți toate avizele de siguranță și indicațiile, chiar și cele din borșura alăturată.

Nerespectarea indicațiilor de avertizare și a instrucțiunilor poate provoca electrocutare, incendii și/sau răni grave. **Păstrați toate indicațiile de avertizare și instrucțiunile în vederele utilizărilor viitoare.**

#### INSTRUCȚIUNI DE SECURITATE

**La găurirea cu percuție purtați echipament de protecție pentru auz.** Expunerea la zgomot poate duce la pierderea auzului.

**Utilizați manerale auxiliare livrate cu scula.** Pierderea controlului poate provoca rănirea persoanelor.

**Țineți aparatul de mănerele izolate când executați lucrări la care scula tăietoare poate nimeri peste conductori electrici ascunși.** Intrarea în contact a sculei tăietoare cu o linie electrică prin care circula curent poate pune sub tensiune și componente metalice ale aparatului și să ducă la electrocutare.

**Țineți aparatul de mănerele izolate atunci când executați lucrări la care șurubul ar putea atinge cabluri de curent ascunse.** Contactul șurubului cu un conductor prin care circula curentul electric poate pune sub tensiune componente metalice ale aparatului, provocând electrocutare.

Rumegușul și spanul nu trebuie îndepărtate în timpul funcționării mașinii.

Când se lucrează pe pereți, tavan sau dușumea, aveți grijă să evitați cablurile electrice și țevile de gaz sau de apă.

Scoateți acumulatorul înainte de a începe orice intervenție pe mașină.

Nu aruncați acumulatorii uzați la containerul de reziduri menajere și nu îi ardeți. AEG Distributors se oferă să recupereze acumulatorii vechi pentru protecția mediului înconjurător.

Nu depozitați acumulatorul împreună cu obiecte metalice (risc de scurtcircuit)

Folosiți numai încărcătoare System GBS pentru încărcarea acumulatorilor System GBS. Nu folosiți acumulatori din alte sisteme.

Acidul se poate scurge din acumulatorii deteriorați la încălzături sau temperaturi extreme. În caz de contact cu acidul din acumulator, spălați imediat cu apă și săpun. În caz de contact cu ochii, clătiți cu atenție timp de cel puțin 10 minute și apelați imediat la îngrijire medicală.

#### CONDIȚII DE UTILIZARE SPECIFICATE

Mașina electronică de găurit / de înșurubat, cu percuție cu acumulator este destinată găuririi, percutante precum și înșurubării, la utilizare independentă departe de surse de alimentare.

Nu utilizați acest produs în alt mod decât cel stabilit pentru utilizare normală

#### DECLARAȚIE DE CONFORMITATE

Declaram pe propria răspundere că acest produs este în conformitate cu următoarele standarde sau documente standardizate EN 60745, EN 55014-1, EN 55014-2, în conformitate cu reglementările 2006/42/EC, 2004/108/EC.



Winnenden, 2011-07-07

Rainer Kumpf  
Manager Product Development

Împuternicit să elaboreze documentația tehnică.

#### ACUMULATORI

Noile pachete de acumulatori ating capacitatea totală de încărcare după 4-5 încărcări și descărcări. Acumulatorii care nu au fost utilizați o perioadă de timp trebuie reîncărcați înainte de utilizare.

Temperatura mai mare de 50°C (122°F) reduce performanța acumulatorului. Evitați expunerea prelungită la căldură sau radiație solară (risc de supraîncălzire)

Contactele încărcătoarelor și acumulatorilor trebuie păstrate curate.

Pentru o durabilitate optimă, acumulatorii trebuie reîncărcați complet după folosire.

Pentru o durată de viață cât mai lungă, acumulatorii ar trebui scoși din încărcător după încărcare.

La depozitarea acumulatorilor mai mult de 30 zile: Acumulatorii se depozitează la cca. 27°C și la loc uscat. Acumulatorii se depozitează la nivelul de încărcare de cca. 30%-50%.

Acumulatorii se încarcă din nou la fiecare 6 luni.

#### PROTECȚIE SUPRĂÎNCĂRCARE ACUMULATOR

Bateria de acumuloare este dotată cu o protecție anti-suprasarcină, care protejează acumulatorul împotriva supraîncărcării și îi asigură o durată îndelungată de viață. În cazul unei solicitări extrem de ridicate, sistemul electronic al acumulatorului decuplează mașina în mod automat. Pentru continuarea lucrului, mașina trebuie decuplată și apoi cuplată din nou. Dacă mașina nu pornește, este posibil ca bateria de acumuloare să fie descărcată, trebuind reîncărcată în aparatul de încărcare.

#### INTREȚINERE

Utilizați numai accesorii și piese de schimb AEG. Dacă unele din componente care nu au fost descrise trebuie înlocuite, vă rugăm contactați unul din agenții de service AEG (vezi lista noastră pentru service / garanție)

Dacă este necesară, se poate comanda o imagine descompusă a sculei. Vă rugăm menționați numărul art. Precum și tipul mașinii tipărit pe etichetă și comandați desenul la agenții de service locali sau direct la AEG Electric Tools GmbH, Max-Eyth-Straße 10, D-71364 Winnenden, Germany.

#### SIMBOLURI



Vă rugăm citiți cu atenție instrucțiunile înainte de pornirea mașinii



Îndepărtați acumulatorul înainte de începerea lucrului pe mașina



Nu aruncați scule electrice în gunoii menajer! Conform directivei europene nr. 2002/96/EC referitor la aparate electrice și electronice uzate precum și la transpunerea acesteia în drept național, sculele electrice trebuie colectate separat și introduse într-un circuit de reciclare ecologic.

**ТЕХНИЧКИ ПОДАТОЦИ Ударна дупчалка на батерија BS 14C BSB 14C**

Капацитет на дупчење во челик .....	13 mm	13 mm
Капацитет на дупчење во дрво .....	45 mm	45 mm
Капацитет на дупчење во тули и плочки .....	-	14 mm
Шрафови во дрво (без предходно дупчење) .....	8 mm	8 mm
Брзина без оптоварување, 1ва брзина .....	0-400 min <sup>-1</sup>	0-400 min <sup>-1</sup>
Брзина без оптоварување, 2ра брзина .....	0-1500 min <sup>-1</sup>	0-1500 min <sup>-1</sup>
Јачина на удар максимално под оптоварување .....	-	19500 min <sup>-1</sup>
Спрега торк со батерија (1,5 Ah) *1 .....	43 Nm	43 Nm
Спрега торк со батерија (3,0 Ah) *1 .....	47 Nm	47 Nm
Волтажа на батеријата .....	14,4 V	14,4 V
Опсег на отворање на бушотина .....	1,5-13 mm	1,5-13 mm
Тежина според ЕПТА-процедурата 01/2003 (1,5 Ah) .....	1,7 kg	1,78 kg
Тежина според ЕПТА-процедурата 01/2003 (3,0 Ah) .....	1,9 kg	1,98 kg

**Информации за бучавата / вибрации**

Измерените вредности се одредени согласно стандардот EN 60 745.

Типично очекувано ниво на звучен притисок на алатот е:

Ниво на звучен притисок. (K=3 dB(A)) .....	87,5 dB (A)	87,5 dB (A)
Ниво на јачина на звук (K=3 dB(A)) .....	98,5 dB (A)	98,5 dB (A)

**Носте штитник за уши.**

Вкупни вибрациски вредности (векторски збир на трите насоки) пресметани согласно EN 60745.

Вибрациска емисиона вредност ah

Перкусионо дупчење во бетон .....	- m/s <sup>2</sup>	10,6 m/s <sup>2</sup>
Несигурност K = .....	- m/s <sup>2</sup>	1,5 m/s <sup>2</sup>
Дупчење во метал .....	< 2,5 m/s <sup>2</sup>	< 2,5 m/s <sup>2</sup>
Несигурност K = .....	1,5 m/s <sup>2</sup>	1,5 m/s <sup>2</sup>
Зашрафување .....	< 2,5 m/s <sup>2</sup>	< 2,5 m/s <sup>2</sup>
Несигурност K = .....	1,5 m/s <sup>2</sup>	1,5 m/s <sup>2</sup>

\*1 Мерни во зависност од AEG норма N 877318

**ПРЕДУПРЕДУВАЊЕ**

Нивото на осцилација наведено во овие инструкции е измерено во согласност со мерните постапки нормирани во EN 60745 и може да биде употребено за меѓусебна споредба на електро-алати. Ова ниво може да се употреби и за привремена проценка на оптоварувањето на осцилацијата.

Наведеното ниво на осцилација ги репрезентира главните намени на електро-алатот. Но, доколку електро-алатот се употребува за други намени, со отстапувачки додатоци или со несоодветно одржување, нивото на осцилација може да отстапи. Тоа може значително да го зголеми оптоварувањето на осцилацијата за време на целиот работен период.

За прецизна проценка на оптоварувањето на осцилацијата предвид треба да бидат земени и времињата, во коишто апаратот е исклучен или работи, но фактички не се употребува. Тоа може значително да го намали оптоварувањето на осцилацијата за време на целиот работен период.

Утврдете дополнителни безбедносни мерки за заштита на операторот од влијанието на осцилациите, како на пример: одржување на електро-алатот и на додатоци кон електро-алатот, одржување топли раце, организација на работните процеси.

**⚠ ПРЕДУПРЕДУВАЊЕ!** Прочитајте ги сите безбедносни упатства и инструкции. Заборавање на почитувањето на безбедносните упатства и инструкции можат да предизвикаат електричен удар, пожар и/или тешки повреди.

**Сочувајте ги сите безбедносни упатства и инструкции за во иднина.**

**УПАТСТВО ЗА УПОТРЕБА**

**При работата со перкусионата бормашина носете заштита за уши.** Влијанието на бука може да предизвика губење на сетилото за слух.

**Користете помошни рачки кои доаѓаат заедно со алатот.** Губењето контрола може да предизвика повреда.

**Држете го електричниот алат за издадените површини при изведување на операции при кои алатот за сечење можат да дојдат во контакт со скриени жици.** Контакт со жица под напон исто така ќе направи проводници од металните делови и оној кој ракува со алатот ќе доживее струен удар.

**При реализација на работи, при кои заврската може да погоди скриени водови на струја, држете го апаратот на изолираните површини за држење.** Контактот на наврската со вод под напон може да ги

стави металните делови од апаратот под напон и да доведе до електричен удар.

Прашината и струготините не смеат да се одстрануваат додека е машината работи.

Кога работите на ѕидови, таван или под внимавате да ги избегнете електричните, гасните и водоводни инсталации.

Отстранете ја батеријата пред да започнете да ја користите машината.

Не ги оставајте искористените батерии во домашниот отпад и не горете ги. Дистрибутерите на Милвоки ги собираат старите батерии, со што ја штитат нашата околина.

Не ги чувајте батериите заедно со метални предмети (ризик од краток спој).

Користете исклучиво Систем GBS за полнење на батерии од GBS систем. Не користете батерии од друг систем.

Киселината од оштетените батериите може да истече при екстремно напон или температури. Доколку дојдете во контакт со исатата, измијте се веднаш со сапун и вода. Во случај на контакт со очите плакнете ги убаво најмалку 10 минути и задолжително одете на лекар.

**СПЕЦИФИЦИРАНИ УСЛОВИ НА УПОТРЕБА**

Перкусионата дупчалка/шрафцигер со електронска батерија е дизајниран за дупчење, перкусионо дупчење, како и шрафцигер при независна употреба далеку од главното напојување.

Не го користете овој производ на било кој друг начин освен пропишаниот за нормална употреба.

**ЕУ-ДЕКЛАРАЦИЈА ЗА СООБРАЗНОСТ**

Ние во целосна одговорност изјавуваме дека овој производ е во сообразност со следните стандарди и стандардизирани документи. EN 60745, EN 55014-1, EN 55014-2, и е во согласност со прописите 2006/42/EC, 2004/108/EC



Winnenden, 2011-07-07

*Rainer Kumpf*

Rainer Kumpf  
Manager Product Development

Ополномоштен за составување на техничката документација.

**БАТЕРИИ**

Нови комплекти батерии постигнуваат целосен капацитет по 4-5 циклуса на полнење и празнење. Подолг период неупотребувани комплекти батерии да се наполнат пред употреба.

Температура повисока од 50°C (122°F) го намалуваат траењето на батериите. Избегнувајте подолго изложување на батериите на високи температури или сонце (ризик од прегревање).

Клемите на полначот и батериите мора да бидат чисти. За оптимален работен век, по употреба батериите мора да бидат целосно наполнети.

За можно подолг век на траење, апаратите после нивното полнење треба да бидат извадени од апаратот за полнење на батериите.

Во случај на складирање на батеријата подолго од 30 дена: Акумулаторот да се чува на температура од приближно 27°C и на суво место.

Акумулаторот да се складира на приближно 30%-50% од состојбата на наполнетост.

Акумулаторот повторно да се наполни на секои 6 месеци.

**ЗАШТИТА ОД ПРЕОПТЕРЕТУВАЊЕ НА БАТЕРИЈАТА**

Батериското пакување е опремено со заштита од преоптоварување што ја штити батеријата од преоптоварување и обезбедува долг работен век. При екстремно висок степен на употреба, електрониката на батеријата автоматски ја исклучува машината. За да продолжите со работа исклучете ја машината и вклучете ја повторно. Доколку машината не се вклучи повторно, можно е батериското пакување да е испразнето. Тогаш тоа ќе мора да биде наполнето во апаратот за полнење.

**ОДРЖУВАЊЕ**

Користете само AEG додатоци и резервни делови. Доколку некои од компонентите кои не се опишани треба да бидат заменети, Ве молиме контактирајте ги сервисните агенти на AEG (консултирајте ја листата на адреси).

Доколку е потребно можно е да биде набавен детален приказ на алатот. Ве молиме наведете го бројот на артиклот како и типот на машина кој е отпечатан на етикетата и порачајте ја скицата кај локалниот застапник или директно кај: AEG Electric Tools GmbH, Max-Eyth-Straße 10, D-71364 Winnenden, Germany.

**СИМБОЛИ**

Ве молиме пред да ја стартувате машината обрнете внимание на упатствата за употреба.



Извадете го батерискот склоп пред отпочнување на каков и да е зафат врз машината.



Не ги фрлајте електричните апарати заедно со другиот домашен отпад! Европска регулатива 2002/96/EC за одлагање на електрична и електронска опрема и се применува согласно националните закони. Електричните апарати кои го достигнале крајот на својот животен век мора да бидат одвоено собрани и вратени во соодветна рециклажна установа.

技术数据	充电式震动螺丝起子钻	BS 14C	BSB 14C
钻孔直径在钢材.....	13 mm	13 mm	13 mm
钻孔直径在木材.....	45 mm	45 mm	45 mm
钻孔直径在砖块和石灰砂石.....	8 mm	14 mm	14 mm
木材螺丝（不必先钻孔）.....	8 mm	8 mm	8 mm
第一档的无负载转速.....	0-400 min <sup>-1</sup>	0-400 min <sup>-1</sup>	0-400 min <sup>-1</sup>
第二档的无负载转速.....	0-1500 min <sup>-1</sup>	0-1500 min <sup>-1</sup>	0-1500 min <sup>-1</sup>
负载撞击次数最大.....	-	19500 min <sup>-1</sup>	19500 min <sup>-1</sup>
扭力 有蓄电池（1.5 安培小时）*1.....	43 Nm	43 Nm	43 Nm
扭力 有蓄电池（3.0 安培小时）*1.....	47 Nm	47 Nm	47 Nm
蓄电池电压.....	14.4 V	14.4 V	14.4 V
夹头张开范围.....	1,5-13 mm	1,5-13 mm	1,5-13 mm
重量符合EPTA—Procedure01/2003（1.5 安培小时）.....	1,7 kg	1,78 kg	1,78 kg
重量符合EPTA—Procedure01/2003（3.0 安培小时）.....	1,9 kg	1,98 kg	1,98 kg

噪音信息, 振动信息  
本测量值符合 EN 60 745 条文的规定。

本机器的音压值通常为	音压值 (K=3dB(A)).....	音压值 (K=3dB(A)).....
请戴上护耳罩!	87,5 dB (A)	87,5 dB (A)
	98,5 dB (A)	98,5 dB (A)

依欧盟EN 60745 标准确定的振荡总值（三方向矢量和）。

ah-振荡发射值	混凝土冲击式穿孔.....	金属钻孔.....
K-不可靠性 =	- m/s <sup>2</sup>	< 2,5 m/s <sup>2</sup>
K-不可靠性 =	10,6 m/s <sup>2</sup>	< 2,5 m/s <sup>2</sup>
拧螺丝	1,5 m/s <sup>2</sup>	< 2,5 m/s <sup>2</sup>
K-不可靠性 =	< 2,5 m/s <sup>2</sup>	1,5 m/s <sup>2</sup>
K-不可靠性 =	1,5 m/s <sup>2</sup>	< 2,5 m/s <sup>2</sup>

\*1 根据 AEG N 877318 号检验标准所测得  
注意

本规程列出的依欧盟EN 60745 标准一项标准测量方法测量的振荡级也可用于电动工具比较并适合于临时振荡负荷估计。  
该振荡级代表电动工具的主要应用。电动工具的其他应用，不正确的工作工具或欠缺维护可造成振荡级偏差。此可明确提高总工作期间的振荡负荷。  
正确地估计一定工作期间的振荡负荷也要考虑到工具关闭或接通而不使用的期间。此可明确减少总工作期间的振荡负荷。  
为提高操作人员对振荡作用的保护得规定补充安全措施：电动工具及工作工具的维护，温手，工作过程组织等。

**⚠**  
注意！务必仔细阅读所有安全说明和安全指示（应注意阅读附上的小册子）。如未确实 遵循警告提示和指示，可能导致电击、火灾并且/ 或其他的严重伤害。  
妥善保存所有的警告提示和指示，以便日后查阅。

#### 特殊安全指示

使用震动钻功能时，请戴上护耳罩。所发生的噪声会导致听力损失。  
使用包含在供货范围中的辅助把手。如果工作时无法正确操控机器，容易造成严重的伤害。  
切割工具会碰到隐藏电线或自己的电缆时，得将器械握住于其绝缘把手表面。  
切割工具接触到通电电线可将电压加到器械的金属部分并造成电击。  
螺丝可能接触隐藏的电线时，得将机器握住于其绝缘把手表面。螺丝接触带电电线，会将电导向其他金属部位并引起电击。  
如果机器仍在运转，切勿清除其上的木屑或金属碎片。  
在墙壁、天花板或地板工作时，必须特别注意被埋埋的电线、瓦斯管和水管。  
在机器上进行任何修护工作之前，先拿出蓄电池。  
损坏的蓄电池不可以丢入火中或一般的家庭垃圾中。AEG 提供了符合环保要求的回收项目： 请向您的专业经销商索取有关详情。




#### 蓄电池超载保护

为防止蓄电池超载并确保使用寿命，蓄电池组具有超载保护。  
负荷极端高时，蓄电池技术将机器自动断开。为继续工作，将机器断开并再接通。如果机器不再起，蓄电池组可能已放电，得用充电器再次充电。

#### 维修

只能使用 AEG 的配件和零件。缺少检修说明的机件如果损坏了，必须交给 AEG 的顾客服务中心更换（参考手册“保证书 / 顾客服务中心地址”）。  
如果需要机器的分解图，可以向您的顾客服务中心或直接向 AEG Electric Tools GmbH, Max-Eyth-Straße 10, D-71364 Winnenden, Germany。案件时必须提供以下资料： 机型和机器铭牌上的十位数码。

#### 符号

-  使用本机器之前请详细阅读使用说明书。
-  在机器上进行任何修护工作之前，先拿出蓄电池。
-  不可以把损坏的电动工具丢弃在家庭垃圾中！根据被欧盟各国引用的有关旧电子机器的欧洲法规 2002/96/EC，必须另外收集旧电子机器，并以符合环保规定的方式回收再利用。

蓄电池不可以和金属物体存放在一起（可能产生短路）。  
GBS 系列的蓄电池只能和 GBS 系列的充电器配合使用。不可以使用本充电器为其它系列的电池充电。  
在过度超荷或极端的温度下，可能从损坏的蓄电池中流出液体。如果触摸了此液体，必须马上使用肥皂和大量清水冲洗。如果此类流体侵入眼睛，马上用清水彻底清洗眼睛（至少冲洗 10 分钟），接着即刻就医治疗。

#### 正确地使用机器

可以使用本电动冲击螺丝起子钻进行正常钻，震动钻和松、紧螺丝作业，并且不需连接电源。  
请依照本说明书的指示使用此机器。

#### 蓄电池

新的蓄电池经过 4-5 次的充、放电后，可达到最大的容量。长期储放的蓄电池，必须先充电再使用。  
如果周围环境的温度超过摄氏 50 度，蓄电池的功能会减弱。勿让蓄电池长期暴露在阳光或暖气下。  
充电器和蓄电池的接触点都必须保持干净。  
为延长使用寿命，请在使用后给电池充满电。  
为确保最长使用寿命，充电后应把蓄电池从充电器取出。  
蓄电池储存时间长于30日：  
在环境温度27°C左右干燥处储存蓄电池。  
在百分之30至50充电状态储存蓄电池。  
每6月重新充电。

# AEG

# POWERTOOLS

[www.aeg-pt.com](http://www.aeg-pt.com)

(07.11)  
4931 4141 97



AEG Electric Tools GmbH  
Max-Eyth-Straße 10  
D-71364 Winnenden  
Germany

# McGrp.Ru



## Сайт техники и электроники

Наш сайт [McGrp.Ru](http://McGrp.Ru) при этом не является просто хранилищем [инструкций по эксплуатации](#), это живое сообщество людей. Они общаются на форуме, задают вопросы о способах и особенностях использования техники. На все вопросы очень быстро находят ответы от таких же посетителей сайта, экспертов или администраторов. Вопрос можно задать как на форуме, так и в специальной форме на странице, где описывается интересующая вас техника.