



STATUS[®]
POWER TOOLS

IT

Sega circolare

EN

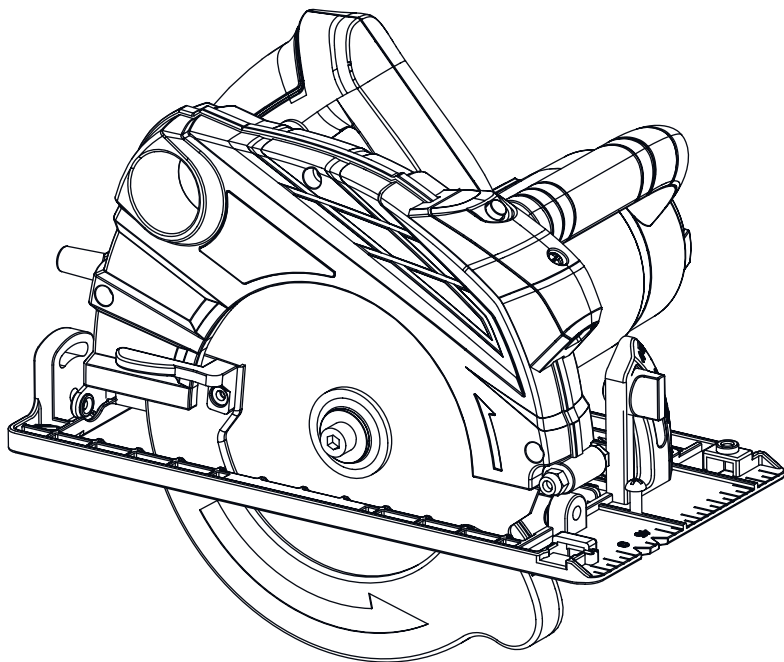
Circular saw

BG

Циркулярен трион

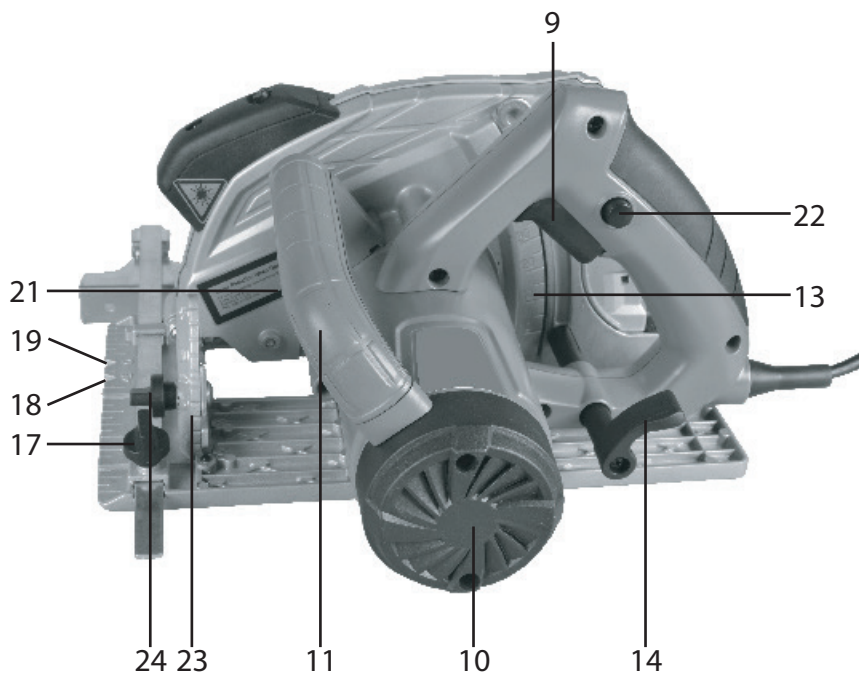
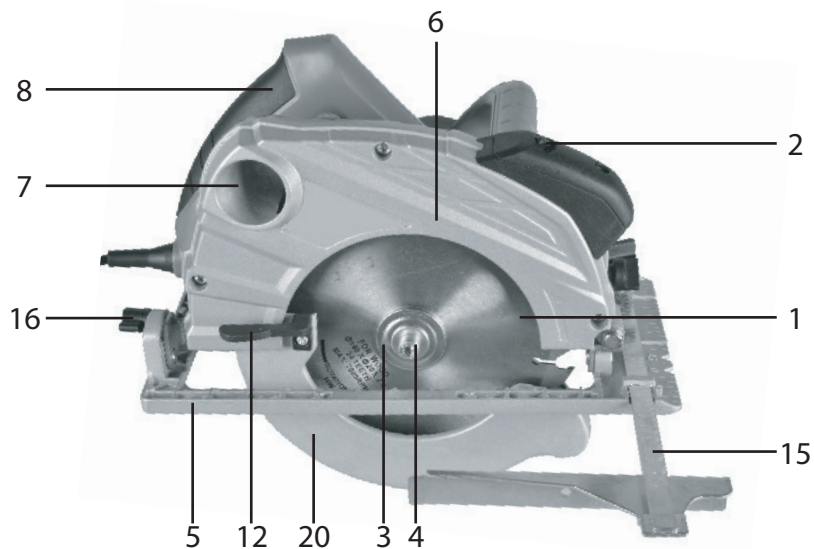
RU

Дисковая пила



CP190PL





INTENDED USE

GENERAL SAFETY RULES

INTENDED USE

This power tool is designed for longitudinal and cross sawing wood in a straight line at bevel angle from 0° to 45°.

GENERAL SAFETY RULES

WORK AREA

- **Keep work area clean and well lit.** *Cluttered and dark areas invite accidents.*
- **Do not operate power tools in explosive atmospheres, such as in the presence of flammable liquids, gases or dust.** *Power tools create sparks which may ignite the dust or fumes.*
- **Keep children and bystanders away while operating a power tool.** *Distractions can cause you to lose control.*

ELECTRICAL SAFETY

- **Power tool plugs must match the outlet. Never modify the plug in any way. Do not use any adapter plugs with earthed (grounded) power tools.** *Unmodified plugs and matching outlets will reduce risk of electric shock.*
- **Avoid body contact with earthed or grounded surfaces such as pipes, radiators, ranges and refrigerators.** *There is an increased risk of electric shock if your body is earthed or grounded.*
- **Do not expose power tools to rain or wet conditions.** *Water entering a power tool will increase the risk of electric shock.*
- **Do not abuse the cord. Never use the cord for carrying, pulling or unplugging the power tool. Keep cord away from heat, oil, sharp edges or moving parts.** *Damaged or entangled cords increase the risk of electric shock.*
- **When operating a power tool outdoors, use an extension cord suitable for outdoor use.** *Use of a cord suitable for outdoor use reduces the risk of electric shock.*
- **Connect the electric power tool to electricity, using a 16 A maximum secure contact protected outlet (220-240V~, 50 Hz).** *We recommend you to attach a residual current circuit-breaker (RCD) that does not exceed 30mA.*

PERSONAL SAFETY

- **Stay alert, watch what you are doing and use common sense when operating a power tool. Do not use a power tool while you are tired or under the influence of drugs, alcohol or medication.** *A moment of inattention while operating power tools may result in serious personal injury.*
- **Use safety equipment. Always wear eye protection.** *Safety equipment such as dust mask, non-skid safety shoes, hard hat, or hearing protection used for appropriate conditions will reduce personal injuries.*

GENERAL SAFETY RULES

- **Avoid accidental starting.** Ensure the switch is in the off position before plugging in. *Carrying power tools with your finger on the switch or plugging in power tools that have the switch on invites accidents.*
- **Remove any adjusting key or wrench before turning the power tool on.** *A wrench or a key left attached to a rotating part of the power tool may result in personal injury.*
- **Do not overreach. Keep proper footing and balance at all times.** *This enables better control of the power tool in unexpected situations.*
- **Dress properly. Do not wear loose clothing or jewellery. Keep your hair, clothing and gloves away from moving parts.** *Loose clothes, jewellery or long hair can be caught in moving parts.*
- **If devices are provided for the connection of dust extraction and collection facilities, ensure these are connected and properly used.** *Use of these devices can reduce dust related hazards.*

POWER TOOL USE AND CARE

- **Do not force the power tool. Use the correct power tool for your application.** *The correct power tool will do the job better and safer at the rate for which it was designed.*
- **Do not use the power tool if the switch does not turn it on and off.** *Any power tool that cannot be controlled with the switch is dangerous and must be repaired.*
- **Disconnect the plug from the power source before making any adjustments, changing accessories, or storing power tools.** *Such preventive safety measures reduce the risk of starting the power tool accidentally.*
- **Store idle power tools out of the reach of children and do not allow persons unfamiliar with the power tool or these instructions to operate the power tool.** *Power tools are dangerous in the hands of untrained users.*
- **Maintain power tools. Check for misalignment or binding of moving parts, breakage of parts and any other condition that may affect the power tools operation. If damaged, have the power tool repaired before use.** *Many accidents are caused by poorly maintained power tools.*
- **Keep cutting tools sharp and clean.** *Properly maintained cutting tools with sharp cutting edges are less likely to bind and are easier to control.*
- **Use the power tool, accessories and tool bits etc. in accordance with these instructions, taking into account the working conditions and the work to be performed.** *Use of the power tool for operations different from those intended could result in a hazardous situation.*

SERVICE

- **Have your power tool serviced by a qualified repair person using only identical replacement parts.** *This will ensure that the safety of the power tool is maintained.*

CIRCULAR SAW SAFETY RULES

Safety instructions for all saws

DANGER: Keep hands away from cutting area and the blade. Keep your second hand on auxiliary handle, or motor housing. *If both hands are holding the saw, they cannot be cut by the blade.*

- **Do not reach underneath the workpiece.** *The guard cannot protect you from the blade below the workpiece.*
- **Adjust the cutting depth to the thickness of the workpiece.** *Less than a full tooth of the blade teeth should be visible below the workpiece.*
- **Never hold piece being cut in your hands or across your leg. Secure the workpiece to a stable platform.** *It is important to support the work properly to minimize body exposure, blade binding, or loss of control.*
- **Hold the power tool by the insulated gripping surfaces only, when performing an operation where the cutting tool may contact hidden wiring or its own cord.** *Contact with a "live" wire will also make exposed metal parts of the power tool "live" and could give the operator an electric shock.*
- **When ripping always use a rip fence or straight edge guide.** *This improves the accuracy of cut and reduces the chance of blade binding.*
- **Always use blades with correct size and shape (diamond versus round) of arbour holes.** *Blades that do not match the mounting hardware of the saw will run eccentrically, causing loss of control.*
- **Never use damaged or incorrect blade wash-ers or bolt.** *The blade washers and bolt were specially designed for your saw, for optimum performance and safety of operation.*

Kickback causes and related warnings

- Kickback is a sudden reaction to a pinched, bound or misaligned saw blade, causing an uncontrolled saw to lift up and out of the workpiece toward the operator;
- When the blade is pinched or bound tightly by the kerf closing down, the blade stalls and the motor reaction drives the unit rapidly back toward the operator;
- If the blade becomes twisted or misaligned in the cut, the teeth at the back edge of the blade can dig into the top surface of the wood causing the blade to climb out of the kerf and jump back toward the operator.

Kickback is the result of saw misuse and/or incorrect operating procedures or conditions and can be avoided by taking proper precautions as given below.

- **Maintain a firm grip with both hands on the saw and position your arms to resist kickback forces. Position your body to either side of the blade, but not in line with the blade.** *Kickback could cause the saw to jump backwards, but kickback forces can be controlled by the operator, if proper precautions are taken.*

CIRCULAR SAW SAFETY RULES

- When blade is binding, or when interrupting a cut for any reason, release the trigger and hold the saw motionless in the material until the blade comes to a complete stop. Never attempt to remove the saw from the work or pull the saw backward while the blade is in motion or kickback may occur. *Investigate and take corrective actions to eliminate the cause of blade binding.*
- When restarting a saw in the workpiece, centre the saw blade in the kerf and check that saw teeth are not engaged into the material. *If saw blade is binding, it may walk up or kickback from the workpiece as the saw is restarted.*
- Support large panels to minimise the risk of blade pinching and kickback. *Large panels tend to sag under their own weight. Supports must be placed under the panel on both sides, near the line of cut and near the edge of the panel.*
- Do not use dull or damaged blades. *Unsharpened or improperly set blades produce narrow kerf causing excessive friction, blade binding and kickback.*
- Blade depth and bevel adjusting locking levers must be tight and secure before making cut. *If blade adjustment shifts while cutting, it may cause binding and kickback.*
- Use extra caution when sawing into existing walls or other blind areas. *The protruding blade may cut objects that can cause kickback.*

Safety instructions for circular saws with outer pendulum guard, circular saws with inner pendulum guard , circular saws with tow guard

- Check lower guard for proper closing before each use. Do not operate the saw if lower guard does not move freely and close instantly. Never clamp or tie the lower guard into the open position. *If saw is accidentally dropped, lower guard may be bent. Raise the lower guard with the retracting handle and make sure it moves freely and does not touch the blade or any other part, in all angles and depths of cut.*
- Check the operation of the lower guard spring. If the guard and the spring are not operating properly, they must be serviced before use. *Lower guard may operate sluggishly due to damaged parts, gummy deposits, or a build-up of debris.*
- Lower guard may be retracted manually only for special cuts such as “plunge cuts” and “compound cuts”. Raise lower guard by re-tracting handle and as soon as blade enters the material, the lower guard must be released. *For all other sawing, the lower guard should operate automatically.*
- Always observe that the lower guard is covering the blade before placing saw down on bench or floor. *An unprotected, coasting blade will cause the saw to walk backwards, cutting whatever is in its path. Be aware of the time it takes for the blade to stop after switch is released.*
-

Additional safety instructions for all saws with riving knife

- Use the appropriate saw blade for the riving knife. *For the riving knife to function, the body of the blade must be thinner than the riving knife and the cutting width of the blade must be wider than the thickness of the riving knife.*

CIRCULAR SAW SAFETY RULES

- **Adjust the riving knife as described in this instruction manual.** *Incorrect spacing, positioning and alignment can make the riving knife ineffective in preventing kickback.*
- **Always use the riving knife except when plunge cutting.** *Riving knife must be replaced after plunge cutting. Riving knife causes interference.*
- **For the riving knife to work, it must be engaged in the workpiece.** *The riving knife is ineffective in preventing kickback during short cuts.*
- **Do not operate the saw if riving knife is bent.** *Even a light interference can slow the closing rate of a guard.*
- **Wear hearing protection during continuous operation.** *Exposure to noise can cause hearing loss.*
- **During operation provide eye protection to prevent eyes from exposure to flying particles.** *Wear goggles.*
- **Take protective measures against inhalation of dust. Some materials can contain toxic ingredients.** *Wear a dust mask and work with dust/chip extraction when connectable.*
- **Do not process materials containing asbestos.** *Asbestos is considered carcinogenic.*
- **Use of protective gloves is recommended.**
- **Before connecting a tool to a power source be sure that the voltage supply is the same as that specified on the nameplate of the tool.**
- **A power source with a voltage greater than that specified for the tool can result in serious injury to the user, as well as damage to the tool.** *If in doubt, do not plug in the tool. Using a power source with a voltage less than the nameplate rating is harmful to the motor.*
- **Fully unwind cable drum extensions to avoid potential overheating.**
- **When an extension cable is required, you must ensure that it has the right ampere rating for your power tool and it is in safe electrical condition.**
- **Never use the machine with a damaged cable. Do not touch the damaged cable and pull the mains plug when the cable is damaged while operating.** *Damaged cables increase the risk of electric shock.*
- **Always keep the cord away from the working area of the power tool.**
- **Prior to operation remove all nails, screws and other objects from the work piece.** *You may damage the saw blade and the machine by cutting into a nail or other metal. It can also present a safety hazard.*
- **Use clamps or a vice to secure your work whenever possible.**
- **Never start the power tool under load. Make sure that the saw blade is not in contact with the work piece when you switch the machine on.**
- **Always switch off and wait until the saw blade has come to a complete standstill before removing the machine from the work piece.**
- **Never apply side pressure to stop the blade rotation after switching off the saw.**
- **Do not touch the saw blade immediately after operation. It may be extremely hot and could burn your skin.**
- **Do not use blades with parameters not corresponding to those mentioned above.**

CIRCULAR SAW SAFETY RULES

- **Do not use abrasive wheels (for grinding or cutting).**
- **Do not use dull or damaged blades.** *Unsharpened or improperly set blades produce narrow kerf causing excessive friction, blade binding and kickback.*
- **Do not reach underneath the work piece.** *The guard cannot protect you from the blade below the work piece.*
- **Adjust the cutting depth to the thickness of the work piece.** **Less than a full tooth of the blade teeth should be visible below the work piece.**
- **Never hold piece being cut in your hands or across your leg.** **Secure the work piece to a stable platform.** *It is important to support the work properly to minimize body exposure, blade binding, or loss of control.*
- **Never use damaged or incorrect blade flanges or bolt.** *The blade flanges and bolt were specially designed for your saw, for optimum performance and safety of operation.*
- **Rags, cloths, cord, string and the like should never be left around the work area.**
- **The tool must be used only for its prescribed purpose.** *Any use other than those mentioned in this Manual will be considered a case of misuse. The user and not the manufacturer shall be liable for any damage or injury resulting from such cases of misuse.*
- **To use this tool properly, you must observe the safety regulations, the assembly instructions and the operating instructions found in this Manual.** **All persons who use and service the machine have to be acquainted with this Manual and must be informed about its potential hazards.** **Children and frail people must not use this tool.** **Children should be supervised at all times if they are in the area in which the tool is being used.** **It is also imperative that you observe the accident prevention regulations in force in your area.** **The same applies for general rules of occupational health and safety.**
- **The manufacturer shall not be liable for any changes made to the tool nor for any damage resulting from such changes.**
- **Power tools must not be used outdoors in rainy weather, or in moist environment (after rain) or in close vicinity with easily flammable liquids and gases.** **The working place should be well lit.**

Safety rules for laser lights

These lasers do not normally present an optical hazard, although staring at the beam may cause flash blindness.

WARNING: Do not stare directly at the laser beam. A hazard may exist if you deliberately stare into the beam.

- The laser shall be used and maintained in accordance with the manufacturer's instructions.
- Never aim the beam at any person or an object other than the work piece.
- The laser beam shall not be deliberately aimed at personnel and shall be prevented from being directed towards the eye of a person.

TOOL PARTS OVERVIEW

OPERATION

- Always ensure the laser beam is aimed at a sturdy work piece without reflective surfaces i.e. wood or rough coated surfaces are acceptable. Bright shiny reflective sheet steel or the like is not suitable for laser use as the reflective surface could direct the beam back at the operator.
- Do not change the laser light assembly with a different type. Repairs must only be carried out by the laser manufacturer or an authorized agent.

TOOL PARTS OVERVIEW

- | | |
|------------------------------------|-----------------------------|
| 1. Blade | 13. Depth adjustment scale |
| 2. Laser light switch | 14. Depth adjustment lever |
| 3. Outer blade flange | 15. Rip fence |
| 3a. Inner blade flange (not shown) | 16. Depth adjustment fixing |
| 4. Blade bolt | 17. Rip fence lock knob |
| 5. Base plate | 18. Cutting guide notch 45° |
| 6. Upper immobile blade guard | 19. Cutting guide notch 90° |
| 7. Dust extraction tube | 20. Mobile blade guard |
| 8. Back handle | 21. Spindle lock button |
| 9. ON/OFF switch | 22. Lock-off button |
| 10. Motor | 23. Bevel scale |
| 11. Front handle | 24. Bevel adjustment fixing |
| 12. Blade guard lever | |

OPERATION

PRIOR TO INITIAL OPERATION

- Make sure the power supply voltage corresponds to the value indicated on the name plate with technical data of the tool.
- Always check the position of ON/OFF switch. The power tool must be connected to the power supply socket only when this switch is in OFF position. If the plug is connected to a receptacle while the power switch is in the ON position, the power tool will start operating immediately, which could cause a serious accident.
- Make sure that the cord and the plug are in order. If the replacement of the supply cord is necessary, this has to be done by the manufacturer or his agent in order to avoid a safety hazard.
- Always inspect the blade. Use only well grinded blades. Never use blades with cracks and indents or HSS-blades.
- Check if the blade is tightened reliably and moves freely.
- Check if the mobile guard moves freely.
- Make sure the work piece or the material is well secured.
- Let the machine operate at no load for 30 seconds. Replace the blade in case vibrations are observed.

REPLACING THE BLADE

- Press the spindle lock button (21). Whilst depressing the spindle lock button (21) using the blade hex key delivered with the machine, turn bolt (4) anti-clockwise. Remove the blade bolt (4) and the outer blade flange (3).
- Ensure blade flanges and bolt is clean of sawdust, grease, etc.
- Move the lower blade lever (12), to lift the lower guard (20) toward the upper blade guard (6). While performing this step check the proper functioning of the lower guard spring.
- Make sure the blade teeth and arrow on the blade (1) point in the same direction as the arrow on the upper blade guard (6).
- Slide the new blade (1) through slot in the base plate (5) and mount it against the inner blade flange (3a) on the shaft. Make sure the large diameter of the blade flanges lay flush against the blade (1).
- Tighten the outer blade flange (3). First tighten blade bolt (4) to finger tight. Engage spindle lock button (21). Whilst depressing the spindle lock button (21), tighten blade bolt (4) firmly with the blade hex key supplied with the machine.
- Before connecting the saw to a power source, ensure that:
 - The spindle lock button (21) is released;
 - The blade (1) rotates freely;
 - The lower blade guard (20) operates correctly.

NOTE: Do not modify the blade spanner to elongate it, since it may lead to over tightening of the blade bolt (4).

ADJUSTING THE CUTTING DEPTH

Loosen the depth adjustment lever (14). Hold the base plate (5) down with one hand and raise or lower the saw by the back handle (8). Tighten depth adjust lever (14) at the desired depth setting.

To obtain minimum splintering while operating, ensure that no more than one tooth protrudes through the timber.

NOTE: During bevel cutting the depth set on scale (13) does not coincide with the real depth value. In this case the depth should be measured from the tip of the tooth to the edge of the slot in the base plate with a measuring tool.

DUST EXTRACTION

Use a vacuum cleaner during operation. Connect the vacuum cleaner to the dust extraction tube (7) and switch on the vacuum cleaner prior to starting a cut.

ADJUSTING THE BEVEL

Vertical cutting

Set maximum cutting depth. Loosen bevel adjustment fixing (24), set it to 0° on bevel scale (23), retighten bevel adjustment fixing (24) and check for 90° angle between the blade (1) and bottom plane of the base plate (5) with a square.

Bevel cutting

The base plate (5) can be adjusted to 0°–45°. Loosen the bevel adjustment fixing (24). Align it to the desired angle on calibrated bevel scale (23). Then tighten bevel adjustment fixing (24).

Due to the increased area of blade engagement in the work and decreased stability of the base plate, blade binding may occur. Keep the saw steady and the press the base plate firmly on the work piece.

Use a protractor when you have to set a precise angle.

LINE GUIDE

For a straight vertical cut, use the cutting guide notch (19) in the base plate (5). For 45° bevel cuts, use cutting the guide notch (18). Make sample cuts in scrap timber to verify actual line of cut.

SWITCHING ON/OFF

WARNING: When starting the circular saw, hold it securely with both hands. The torque from the motor can cause the tool to twist.

Switching on: Press the lock-off button (22), and then squeeze the ON/OFF switch (9).

Switching off: Release the ON/OFF switch (9).

Your saw should be running at full speed before starting the cut and turned off only after completing the cut.

CUTTING

Always hold the back handle (8) with one hand and the front handle (11) with the other hand.

WARNING: After switching off the saw, be aware of the necessary time it takes for the blade to come to a complete stop during coast down. Do not allow the saw to brush against your body, since the blade guard (20) is retractable, it could catch on your clothing and expose the blade (1).

When cutting is interrupted, to resume cutting, depress the lock-off button (22), squeeze the ON/OFF switch (9) and allow the blade (1) to reach full speed, re-enter the cut slowly and resume cutting.

When cutting across the grain, the fibres of the wood have a tendency to tear and lift. Advancing the saw slowly minimizes this effect.

OPERATION MAINTENANCE

Cutting Large Sheets

Large sheets and long boards sag or bend, depending on support. If you attempt to cut without levelling and properly supporting the piece, the blade will tend to bind, causing kickback and extra load on the motor.

Use timber underneath the sheet or board to raise it for support. This will ensure a safe and stable cutting operation. Support the panel or board close to the cut. Be sure to set the depth of the cut so that you cut through the sheet or board only and not the table or work bench. If the sheet or board to be cut is too large for a table or work bench, use supporting timbers on the floor and secure.

Rip cuts

The rip fence (15) is used when cutting parallel to the edge of a shaped part. To attach rip fence (15), insert rip fence through rip fence slots in base plate (5) to desired width and secure with the rip fence lock knob (17).

The distance from the blade to the base surface of the rip fence shall be set on its scale at guide notch (19) for vertical cutting and guide notch (18) for 45° cutting.

When rip cutting large sheets, the rip fence may not allow the desired width of cut. Clamp or nail a straight piece of 25 mm thick timber to the sheet as a guide. Use the right side of the base plate against the board guide.

MAINTENANCE

GENERAL INSPECTION

Regularly inspect all fasteners and ensure they are properly tightened. Should any of the screws be loose, retighten it immediately to avoid hazards.

If the replacement of the supply cord is necessary, this has to be done by the manufacturer or his agent in order to avoid a safety hazard.

CLEANING

For safe operation always keep the machine and its ventilation slots clean.

Regularly check to see if any dust or foreign matter has entered the ventilation slots and the grills around the switches. Use a soft brush and/or air jet to remove any accumulated dust.

Wear safety glasses to protect your eyes whilst cleaning.

Exterior plastic parts may be cleaned with a damp cloth and mild detergent if necessary.

WARNING!

Never use alcohol, petrol or other cleaning agent. Never use caustic agents to clean plastic parts. Water must never come into contact with the tool.

REPLACEMENT PARTS

To assure product safety and reliability, repairs, maintenance and adjustment (including brush inspection and replacement) should be performed by authorised service centres always using genuine replacement parts.

TECHNICAL SPECIFICATIONS

CE DECLARATION OF CONFORMITY

TECHNICAL SPECIFICATIONS

Model	CP190PL
Voltage	220-240 V~ 50 Hz
Input power	1400 W
No load speed	5000 RPM
Max. cutting depth	66 mm
Blade size	190x30 mm
Weight	4,5 kg

SET:

Guide fence, hex key, TCT blade, dust connecter.

The manufacturer reserves the right to make changes and improvements to the products and to alter specifications without prior notice.

CE DECLARATION OF CONFORMITY

We STATUS ITALIA S.R.L. as the responsible manufacturer declare that the following STATUS machine(s): Circular Saw Model No./ Type: CP190PL

are of series production and conforms to the following European Directives:

2014/30/EU, 2006/42/EC Annex I.

And are manufactured in accordance with the following standards or standardised documents: **EN55014-1:2006+A1+A2, EN55014-2:2015, EN61000-3-2:2014, EN61000-3-3:2013, EN60745-1:2009+A11, EN60745-2-5:2010, AfPS GS 2014:01.**

The technical documentation kept by the manufacturer: STATUS ITALIA S.R.L., via Aldo Moro, 14/A, 36060 - Pianezze (VI), ITALY



Caron Giacinto
Director
STATUS Italia S.r.l.

DESTINAZIONE D'USO

AVVERTENZE GENERALI DI PERICOLO PER ELETTROUTENSILI

DESTINAZIONE D'USO

Questo elettroutensile è destinato al taglio longitudinale e trasversale di legno in linea dritta, con l'angolo del taglio da 0° a 45°.

AVVERTENZE GENERALI DI PERICOLO PER ELETTROUTENSILI

AREA DI LAVORO

- **Mantenere l'area di lavoro pulita e ben illuminata.** *Le zone buie ed ingombre di oggetti favoriscono incidenti.*
- **Non utilizzare l'utensile in presenza di liquidi infiammabili, gas o polvere.** *Le scintille generate potrebbero infiammare polvere e/o vapore.*
- **Tenere a distanza bambini e terzi durante il funzionamento.** *Per una distrazione potreste perdere il controllo dell'utensile.*

SICUREZZA ELETTRICA

- **La spina dell'utensile deve essere adatta alla presa utilizzata. Non modificare la spina in alcun modo. Non utilizzare adattatori con gli utensili collegati a terra.** *L'impiego di una spina integra ed una presa adatta riduce i rischi di folgorazione.*
- **Evitare di toccare con il corpo le superfici collegate a terra quali tubi, radiatori, forni e frigoriferi.** *Il rischio di folgorazione aumenta se il corpo è collegato a terra.*
- **Non esporre l'utensile alla pioggia e all'umidità.** *La penetrazione d'acqua nell'utensile aumenta il rischio di folgorazione.*
- **Non utilizzare il cavo per scopi diversi da quello previsto. Non utilizzare il cavo per trasportare o tirare l'utensile, oppure per staccare la spina dalla presa. Tenere il cavo lontano da fonti di calore, olio, parti appuntite o in movimento.** *Cavi danneggiati o attorcigliati aumentano il rischio di folgorazione.*
- **Se l'utensile viene utilizzato all'aperto, usare una prolunga adatta all'uso esterno.** *L'impiego di una prolunga da esterno reduce il rischio di folgorazione.*
- **Se il lavoro in un ambiente umido è strettamente necessario, utilizzare una presa protetta da dispositivo a corrente residua.** *Ciò reduce i rischi di scosse.*

SICUREZZA PERSONALE

- **L'uso di elettroutensili richiede attenzione e buon senso. Non utilizzare gli utensili se si è stanchi o sotto l'effetto di droghe, alcol o medicinali.** *Una breve disattenzione può provocare gravi danni alle persone.*
- **Munirsi di indumenti e dispositivi di protezione. Indossare sempre occhiali da lavoro.** *L'uso di dispositivi di protezione tra cui mascherina antipolvere, scarpe antiscivolo, casco e protezioni per l'udito riduce il rischio di danni a persone.*

AVVERTENZE GENERALI DI PERICOLO PER ELETTROUTENSILI

- **Evitare l'accensione accidentale.** Accertarsi che l'interruttore sia in posizione "OFF" prima di inserire la spina. *Se si trasportano gli utensili con il dito sull'interruttore o si inserisce la spina nella presa con l'interruttore in posizione "ON" aumenta il rischio di incidenti.*
- **Togliere tutte le chiavi di regolazione prima di accendere l'utensile.** *Una chiave lasciata inserita in una parte rotante di un utensile può provocare danni a persone.*
- **Non utilizzare l'utensile in condizioni estreme.** **Mantenere sempre l'equilibrio ed i piedi ben appoggiati a terra.** *Questo consente un maggior controllo dell'utensile in caso di imprevisti.*
- **Indossare un abbigliamento adeguato.** **Non indossare abiti svolazzanti o gioielli.** **Tenere capelli, vestiti, e guanti lontani dalle parti in movimento.** *Abiti svolazzanti, gioielli o capelli potrebbero impigliarsi nelle parti in movimento.*
- **In presenza di apparecchiature per il collegamento a dispositivi di aspirazione e raccolta delle polveri, accertarsi che essi siano collegati ed utilizzarli correttamente.** *L'uso di queste apparecchiature può ridurre i rischi causati dalla polvere.*

USO E MANUTENZIONE DELL'UTENSILE

- **Utilizzare l'utensile più adatto per il lavoro da svolgere.** *L'impiego dell'utensile giusto migliora la qualità del lavoro e la sicurezza.*
- **Non utilizzare l'utensile se non è possibile accenderlo e spegnerlo con l'apposito interruttore.** *Gli utensili che non possono essere controllati con l'interruttore sono pericolosi e devono essere riparati.*
- **Staccare la spina dall'alimentazione di corrente prima di eseguire regolazioni, cambiare accessori o riporre l'utensile.** *Osservando queste precauzioni si riduce il rischio di accensione accidentale dell'utensile.*
- **Riporre gli utensili non utilizzati fuori dalla portata dei bambini e non consentirne l'utilizzo a persone che non conoscono l'utensile o queste istruzioni.** *Nelle mani di persone inesperte gli utensili possono diventare pericolosi.*
- **Sottoporre l'utensile a manutenzione.** **Verificare il corretto allineamento di tutte le parti mobili, controllare che non siano grippate e che non vi siano rotture o altri guasti che potrebbero influire sul funzionamento dell'utensile.** *Far riparare gli utensili danneggiati prima di riutilizzarli. Molti incidenti sono causati da utensili in pessime condizioni.*
- **Tenere le punte e gli strumenti da taglio puliti ed affilati.** *Se sottoposti ad una regolare manutenzione e pulizia consentono di lavorare in modo più preciso e sono maggiormente controllabili.*
- **Utilizzare l'utensile, gli accessori, gli attrezzi etc. secondo quanto indicato in queste istruzioni nonché tenendo in considerazione le condizioni di lavoro e il lavoro da eseguire.** *L'impiego di utensili per scopi diversi da quelli per cui sono stati progettati può dare origine a situazioni pericolose.*

ISTRUZIONI SUPPLEMENTARI DI SICUREZZA NEL LAVORO CON SEGHE CIRCOLARI

MANUTENZIONE

- Far riparare l'utensile da personale qualificato che utilizzi solo parti di ricambio originali. *In caso contrario la sicurezza dell'utensile potrebbe risultare compromessa.*

Istruzioni supplementari di sicurezza nel lavoro con seghe circolari

Istruzioni di sicurezza per tutte le seghe

PERICOLO: Mai avvicinare le mani alla zona operativa e neppure alla lama di taglio. Utilizzare la seconda mano per afferrare l'impugnatura supplementare oppure la carcassa del motore. *Tenendo la sega con entrambe le mani si evita che la lama di taglio possa diventare un pericolo per le mani.*

- Mai afferrare con le mani la parte inferiore del pezzo in lavorazione. *Nella zona al di sotto del pezzo in lavorazione la calotta di protezione non presenta alcuna protezione contro la lama di taglio.*
- Adattare la profondità di taglio allo spessore del pezzo in lavorazione. *Nella parte inferiore del pezzo in lavorazione la lama deve uscire in misura inferiore all'altezza del dente.*
- Non tenere mai con le mani il pezzo in lavorazione che si intende tagliare e non appoggiarlo neppure sulla gamba. Assicurare il pezzo in lavorazione su un supporto stabile. *Per ridurre al minimo possibile il pericolo di un contatto con il corpo, la possibilità di un blocco della lama di taglio oppure la perdita del controllo, è importante fissare bene il pezzo in lavorazione.*
- Quando si eseguono lavori in cui vi è pericolo che l'accessorio impiegato possa arrivare a toccare cavi elettrici nascosti oppure anche il cavo elettrico della macchina stessa, tenere l'elettro utensile afferrandolo sempre alle superfici di impugnatura isolate. *Un contatto con un cavo elettrico mette sotto tensione anche le parti in metallo dell'elettro utensile e provoca quindi una scossa elettrica.*
- In caso di taglio longitudinale utilizzare sempre una battuta oppure una guida angolare diritta. *In questo modo è possibile migliorare la precisione del taglio riducendo il pericolo che la lama di taglio possa incepparsi.*
- Utilizzare sempre lame per sega che abbiano la misura corretta ed il foro di montaggio adatto (p. es. a stella oppure rotondo). *In caso di lame per sega inadatte ai relativi pezzi di montaggio, la rotazione non sarà perfettamente circolare e si crea il pericolo di una perdita del controllo.*
- Mai utilizzare rondelle oppure viti per lama di taglio che non dovessero essere in perfetto stato o che non dovessero essere adatte. *Le rondelle e le viti per lama di taglio sono appositamente previste per la Vostra sega e sono state realizzate per raggiungere ottimali prestazioni e massima sicurezza di utilizzo.*

ISTRUZIONI SUPPLEMENTARI DI SICUREZZA NEL LAVORO CON SEGHE CIRCOLARI

Contraccolpo – Cause e relative indicazioni di sicurezza

- Un contraccolpo è l'improvvisa reazione in seguito ad agganciamento, blocco oppure allineamento errato della lama di taglio. Lo stesso può causare che una sega incontrollata si sollevi e, uscendo dal pezzo in lavorazione, si muova in direzione dell'operatore;
- Se la lama di taglio rimane agganciata oppure bloccata nella fessura di taglio che si chiude, la stessa si blocca e la forza motore spinge indietro la sega in direzione dell'operatore;
- Se la lama di taglio viene allineata ruotata oppure in modo non corretto nel taglio, i denti del bordo posteriore della lama di taglio rimangono agganciati nella superficie del pezzo in lavorazione causando la fuoriuscita della lama di taglio della fessura di taglio e la sega si muove improvvisamente indietro in direzione dell'operatore.

Un contraccolpo è la conseguenza di un uso errato oppure non corretto della sega. Lo stesso può essere evitato prendendo misure precauzionali come descritto di seguito.

- **Tenere la sega ben ferma afferrandola con entrambe le mani e portare le braccia in una posizione che Vi permetta di controllare bene le forze di contraccolpi. Tenere sempre una posizione laterale rispetto alla lama di taglio e mai mettere la lama di taglio in una linea con il Vostro corpo.** *In caso di un contraccolpo la lama di taglio può balzare all'indietro; comunque, prendendo misure precauzionali adatte l'operatore può essere in grado di controllare le forze di contraccolpo.*
- **Qualora la lama di taglio dovesse bloccarsi oppure dovesse essere interrotto il lavoro, spegnere la sega e tenerla ferma in posizione nel pezzo in lavorazione fino a quando la lama non si sarà fermata completamente. Non tentare mai di togliere la sega dal pezzo in lavorazione e neppure tirarla all'indietro fintanto che la lama di taglio si muove. In caso contrario si crea il pericolo di un contraccolpo. Rilevare ed eliminare la causa per il blocco della lama di taglio.**
- **Volendo avviare nuovamente una sega che ancora si trova nel pezzo in lavorazione, centrare la lama nella fessura di taglio ed accertarsi che la dentatura della sega non sia rimasta agganciata nel pezzo in lavorazione.** *Una lama di taglio inceppata può balzare fuori dal pezzo in lavorazione e provocare un contraccolpo nel momento in cui si avvia nuovamente la sega.*
- **Per eliminare il rischio di un contraccolpo dovuto al blocco di una lama di taglio, assicurare bene pannelli di dimensioni maggiori.** *Pannelli di dimensioni maggiori possono piegarsi sotto il peso proprio. In caso di pannelli è necessario munirli di supporti adatti su entrambi i lati, sia in vicinanza della fessura di taglio che a margine.*
- **Non utilizzare mai lame per seghe che non siano più affilate oppure il cui stato generale non dovesse essere più perfetto.** *Lame per seghe non più affilate oppure deformate implicano un maggiore attrito nella fessura di taglio aumentando il pericolo di blocchi e di contraccolpi della lama di taglio.*
- **Prima di eseguire l'operazione di taglio, determinare la profondità e l'angolatura del taglio.** *Se durante l'operazione di taglio si modificano le registrazioni è possibile che la lama di taglio si blocchi e che si abbia un contraccolpo.*
- **Procedere con particolare cautela effettuando tagli in pareti esistenti oppure in altri settori che non possono essere controllati.** *Durante il taglio la lama di taglio che penetra in oggetti nascosti può bloccarsi e causare un contraccolpo.*

ISTRUZIONI SUPPLEMENTARI DI SICUREZZA NEL LAVORO CON SEGHE CIRCOLARI

Istruzioni di sicurezza per seghe con riparo esterno pendolare, sega con riparo interno pendolare, seghe con riparo estraibile:

- **Prima di ogni intervento operativo accertarsi che la calotta di protezione chiuda perfettamente. Non utilizzare la sega in caso non fosse possibile muovere liberamente la calotta di protezione inferiore e non potesse essere chiusa immediatamente. Mai bloccare oppure legare la calotta di protezione inferiore in posizione aperta.** *Se la sega dovesse accidentalmente cadere a terra è possibile che la calotta di protezione inferiore subisca una deformazione. Operando con la leva di ritorno, aprire la calotta di protezione ed accertarsi che possa muoversi liberamente in ogni angolazione e profondità di taglio senza toccare né lama né nessun altro pezzo.*
- **Controllare il funzionamento della molla per la calotta di protezione inferiore. Qualora la calotta di protezione e la molla non dovessero funzionare correttamente, sottoporre la lama di taglio ad un servizio di manutenzione prima di utilizzarla.** *Componenti danneggiati, depositi di sporizia appiccicosi oppure accumuli di trucioli comportano una riduzione della funzionalità della calotta inferiore di protezione.*
- **Aprire manualmente la cuffia inferiore di protezione solo in caso di tagli particolari, come potrebbero essere «tagli dal centro e tagli ad angolo». Aprire la cuffia inferiore di protezione mediante la leva di ritorno e rilasciare questa non appena la lama di taglio sarà penetrata nel pezzo in lavorazione. Nel caso di ogni altra operazione di taglio la cuffia inferiore di protezione deve funzionare automaticamente.**
- **Non poggiare la sega sul banco di lavoro oppure sul pavimento se la calotta inferiore di protezione non copre completamente la lama di taglio.** *Una lama di taglio non protetta ed ancora in fase di arresto sposta la sega in senso contrario a quello della direzione di taglio e taglia tutto ciò che incontra. Tenere quindi sempre in considerazione la fase di arresto della sega.*

Istruzioni supplementari di sicurezza per tutte le seghe con lama separante (spaccante)

- **Utilizzare la lama di taglio adatta al cuneo separatore.** *Affinché il cuneo separatore agisca il corpo della lama di taglio deve essere più sottile del cuneo separatore e la larghezza del dente deve essere maggiore dello spessore del cuneo separatore.*
- **Regolare il cuneo separatore operando secondo le descrizioni contenute nel Manuale delle istruzioni per l'uso.** Uno spessore, una posizione ed un allineamento non conformi possono essere il motivo per cui il cuneo separatore non impedisce efficacemente un contraccolpo.
- **Utilizzare sempre il cuneo separatore, tranne che in caso di tagli dal centro.** *In eguito ad un taglio dal centro montare di nuovo il cuneo separatore. In caso di tagli dal centro il cuneo separatore disturba e può provocare un contraccolpo.*
- **Perché il cuneo separatore possa funzionare correttamente è necessario che si trovi nella fessura di taglio.** *In caso di tagli corti il cuneo separatore resta inefficace ai fini di evitare un contraccolpo.*
- **Mai azionare la sega con un cuneo separatore deformato.** *Una piccola disfunzione può già ridurre il funzionamento della calotta di protezione.*
- **Usare mezzi per protezione dell'udito a lavoro continuativo.** *Il rumore intenso durante il lavoro può provocare danni all'udito.*

ISTRUZIONI SUPPLEMENTARI DI SICUREZZA NEL LAVORO CON SEGHE CIRCOLARI

- **Usare mezzi di protezione della vista durante il lavoro, per proteggersi da corpuscoli volanti.** *Portare occhiali protettivi.*
- **Prendere precauzioni contro l'inspirazione di polvere. Alcuni materiali possono contenere ingredienti tossici.** *Indossare maschera antipolvere. Usare depolverizzatore.*
- Non lavorare materiali contenenti amianto. L'amianto è considerato come una sostanza cancerogena.
- Si consiglia di usare guanti protettivi.
- Prima di collegare l'apparecchio elettrico con la rete di alimentazione, accertarsi che la tensione di alimentazione corrisponde a quella riportata sulla targhetta dati tecnici dell'elettrotensile.
- Una fonte di alimentazione dalla tensione superiore a quella indicata per l'elettrotensile, può causare sia una grave lesione di scossa elettrica all'operatore, sia un guasto all'elettrotensile.
- Se si ha qualsiasi esitazione, non innestare la spina dell'elettrotensile nella presa elettrica.
- L'uso di una fonte di alimentazione con tensione inferiore a quella indicata sulla targhetta dati tecnici dell'elettrotensile, danneggerà il motore elettrico.
- Per ovviare all'eventuale surriscaldamento, svolgere sempre completamente il cavo di prolunga con rocchetto.
- Quando si deve usare una prolunga, accertarsi che la sua sezione corrisponde alla corrente nominale dell'elettrotensile usato, nonché dello stato di efficienza della prolunga.
- Non usare l'elettrotensile con cordone guasto. Non toccare il cordone danneggiato e disinnestare la spina dalla presa, se il cordone viene danneggiato durante il lavoro. I cordoni guasti aumentano il rischio di scossa elettrica.
- Tenere il cordone d'alimentazione fuori della portata operativa della macchina.
- Prima di cominciare il lavoro portare via dal pezzo lavorato qualunque chiodo, vite o altro corpo. In caso di penetrazione di un chiodo o altro corpo metallico, si possono danneggiare la mola e l'elettrotensile, cosa che potrebbe provocare un infortunio sul lavoro.
- Fissare il pezzo lavorato in una morsa o in qualche altro modo convenevole.
- Non inserire la macchina sotto carico. Prima di inserire la macchina accertarsi che la mola non tocca la superficie trattata.
- Disinserire sempre l'elettrotensile ed aspettare fino al completo arresto della mola, prima di staccare la macchina dal pezzo da tagliare.
- Non arrestare la mola da taglio dopo lo spegnimento, tramite pressione laterale.
- Non toccare la mola subito dopo aver finito il lavoro con essa. La mola potrebbe essere molto calda e ci si può bruciare la pelle.
- Non usare mole da taglio i cui parametri non corrispondono a quelli indicati in queste istruzioni.
- Non usare mole abrasive (per levigatura o taglio).
- Non usare mole da taglio logore o danneggiate. Quando le mole sono logore o con allacciatura fatta erroneamente, la distanza tagliata è stretta, e quindi l'attrito aumenta molto, nonché il pericolo di incastro e rimbalzo.

ISTRUZIONI SUPPLEMENTARI DI SICUREZZA NEL LAVORO CON SEGHE CIRCOLARI

- Non mettere le mani sotto il pezzo da tagliare. Il riparo non può proteggere dalla mola sotto il pezzo da tagliare.
- Regolare la profondità del taglio secondo lo spessore del materiale. Lasciare non più di un dente sporgere dal fianco inferiore del materiale.
- Non tenere mai il pezzo da tagliare nelle mani o sulle gambe. Il buon fissaggio del pezzo da tagliare è essenziale per minimizzare il pericolo di sottoporre il proprio corpo ad effetti indesiderati, dell'incastro della mola da taglio, o della perdita di controllo sull'elettro-utensile.
- Non usare mai flange o bulloni per fissaggio della mola da taglio danneggiati o storti. Le flange e il bullone per fissaggio della mola sono disegnati apposta per questo elettro-utensile, con lo scopo di ottenere la massima prestazione e sicurezza.
- Non è ammessa la presenza nell'area del lavoro di stracci, panni, stoppa, corda, cavetti, ecc.
- Usare l'elettro-utensile soltanto secondo la sua destinazione d'uso. Qualsiasi altro uso, differente da quello descritto in queste istruzioni, verrà considerato erraneo. La responsabilità per qualsiasi guasto o ferimento che risulta da uso erraneo, cadrà sull'utente, e non sul fabbricante.
- Per sfruttare correttamente questo elettro-utensile, si devono rispettare le regole di sicurezza, le istruzioni generali, e le istruzioni di funzionamento qui indicate. Tutti gli utenti devono conoscere queste istruzioni d'uso ed essere informati dei potenziali rischi nel lavoro con l'elettro-utensile. Bambini e persone fisicamente deboli non devono usare l'elettro-utensile. I bambini devono stare sotto continua sorveglianza se si trovano vicino al luogo dove si lavora con l'elettro-utensile. È obbligatorio prendere anche precauzioni di sicurezza. Lo stesso concerne pure l'osservanza delle regole principali relative alla salute e alla sicurezza sul lavoro.
- Il fabbricante non sarà tenuto responsabile per modifiche apportate dall'utente all'elettro-utensile, o per guasti causati da tali modifiche.
- Non usare l'elettro-utensile all'aperto quando piove, in un ambiente umido (dopo una pioggia), o in vicinanza di liquidi o gas facilmente infiammabili. Mantenere il posto di lavoro ben illuminato.

Norme di sicurezza nel lavoro con i laser

Tali laser di solito non rappresentano un pericolo per gli occhi, ma ciò nonostante se si guarda direttamente al laser si può accecare.

ATTENZIONE: Non guardare direttamente al raggio laser. Se si fissa lo sguardo apposta al raggio laser, esiste un pericolo per la vostra salute.

- Il laser va usato e mantenuto in conformità alle istruzioni del fabbricante.
- Mai puntare il raggio laser in persona o oggetto che non sia il materiale lavorato.
- Il raggio laser non deve essere puntato contro una persona e ci vuole stare particolarmente attenti di non puntarlo negli occhi di persone.
- Accertarsi sempre che il raggio laser sia puntato contro un materiale duro, la cui superficie non riflette, p.es. legno o superfici di rivestimento ruvido. La lucente lamiera di acciaio non è adatta al trattamento con laser, a causa della sua superficie riflettente, la quale può dirigere il flusso di raggi laser indietro all'operatore.

DESCRIZIONE DEL FUNZIONAMENTO

ISTRUZIONI PER L'USO

- Non sostituire il laser incorporato con un altro che non è dello stesso tipo. Riparazioni vanno effettuate soltanto dal fabbricante o dai centri assistenza autorizzati.

DESCRIZIONE DEL FUNZIONAMENTO

- | | |
|---|--|
| 1. Mola | 14. Leva per regolare la profondità di taglio |
| 2. Interruttore del congegno laser | 15. Guida parallela |
| 3. Flangia esterna | 16. Blocco per il regolatore di profondità |
| 3a. Flangia interna per la mola (non mostrata) | 17. Vite per fissare la guida parallela |
| 4. Bullone per serrare la mola | 18. Fessura – indicatore di taglio ad un angolo di 45° |
| 5. Base | 19. Fessura – indicatore di taglio ad un angolo di 90° |
| 6. Riparo superiore fisso della mola | 20. Riparo mobile della mola |
| 7. Apertura per depolverizzazione | 21. Pulsante di blocco dell'alberino |
| 8. Impugnatura posteriore | 22. Pulsante di bloccaggio contro avviamento casuale |
| 9. Interruttore ON/OFF | 23. Scala per determinare l'angolo del taglio |
| 10. Motore elettrico | 24. Blocco della leva per regolare l'angolo di taglio |
| 11. Impugnatura anteriore | |
| 12. Leva del riparo mobile | |
| 13. Scala per determinare la profondità di taglio | |

ISTRUZIONI PER L'USO

PRIMA DI COMINCIARE IL LAVORO

- Verificare se la tensione della rete elettrica corrisponde a quella indicata sulla targhetta dati tecnici dell'elettrotensile.
- Verificare in che posizione si trova l'interruttore ON/OFF. Innestare in e disinnestare l'elettrotensile dalla rete soltanto ad interruttore disinserito. Se la spina viene innestata nella presa mentre l'interruttore è nella posizione inserita, l'elettrotensile si metterà subito in moto, cosa che potrebbe causare un infortunio.
- Accertarsi dello stato di efficienza del cordone d'alimentazione e della spina. Se il cordone è danneggiato, la sostituzione deve essere eseguita dal fabbricante o da un suo specialista di centro assistenza, per evitare i pericoli che risulterebbero in seguito alla sostituzione.
- Verificare lo stato della mola da taglio. Usare soltanto mole affilate bene. Mole spaccate o deformate vanno sostituite subito. Non usare mole in acciaio super rapido (HSS).
- Verificare se la mola è fissata affidabilmente e se si muove liberamente.
- Verificare se il riparo mobile si muove liberamente.
- Se il pezzo o il materiale da lavorare è ben fissato.
- Fare la macchina funzionare a vuoto per 30 secondi. Se si notano vibrazioni sostituire la mola.

SOSTITUZIONE DELLA MOLA

- Premere il pulsante di blocco dell'alberino (21). A pulsante (21) premuto, girare con l'ausilio della chiave a brugola fornita con la macchina, il bullone (4) in senso antiorario. Smontare il bullone (4) e la flangia esterna per la mola (3).
- Accertarsi che le flange per la mola e il bullone non siano sporcate di polvere, grasso, ecc.
- Premere la leva (12) del riparo mobile inferiore in senso antiorario, per sollevare il riparo inferiore della mola (20) verso il riparo superiore (6). Mentre si fa questo, verificare lo stato di efficienza della molla del riparo inferiore.
- Accertarsi che i denti della mola (1) e la freccia su essa indichino la stessa direzione come la freccia sul riparo superiore (6).
- Far passare la mola nuova (1) attraverso la fessura nella base (5) e montarla sull'asse di fronte alla flangia interna (3a). Accertarsi che le superfici d'appoggio delle flange siano allineate alla mola (1).
- Serrare la flangia esterna (3). Per primo avvitare a mano il bullone per serrare la mola (4). Premere il pulsante di blocco dell'alberino (21). A pulsante (21) premuto stringere bene il bullone (4) con l'aiuto della chiave a brugola, fornita a dote.
- Prima di allacciare la sega circolare alla rete di alimentazione, accertarsi che:
 - il pulsante di blocco dell'alberino (21) sia rilasciato;
 - la mola si muova liberamente;
 - il riparo inferiore (20) funzioni regolarmente.

N.B.: Non è ammesso l'allungamento della chiave, siccome così si può causare uno stringimento troppo forte del bullone (4) per serraggio della mola.

IMPOSTAZIONE DELLA PROFONDITÀ DI TAGLIO

Disimpegnare la leva per la regolazione della profondità di taglio (14). Tenere la base (5) con una mano, e con l'altra innalzare o abbassare la sega tramite l'impugnatura (8). Serrare la leva per la regolazione della profondità del taglio (14) alla profondità desiderata. Per assicurare la minima frammentazione di schegge durante il lavoro, accertarsi che non più di un dente sporga fuori del materiale lavorato.

N.B.: Nel taglio in pendenza la profondità di taglio selezionata sulla scala (13), non corrisponde al valore reale. In tale caso la profondità di taglio va misurata dalla punta del dente allo spigolo della fessura alla base, con uno strumento di misurazione.

DEPOLVERIZZAZIONE

Usare un aspirapolvere durante il lavoro. Attaccare l'aspirapolvere nel foro del riparo (7) ed accenderlo prima di iniziare il taglio.

IMPOSTAZIONE DELL'ANGOLO DI TAGLIO

Taglio verticale

Impostare la profondità massima di taglio. Disimpegnare la leva per impostazione dell'angolo di taglio (24), scegliere 0° sulla scala (23), serrare di nuovo la leva per impostazione dell'angolo di taglio (24) e controllare con un triangolo che la mola (1) e la base (5) siano a squadra.

Taglio sotto inclinazione

L'inclinazione della base (5) può essere regolata da 0° a 45°. Allentare la leva per impostazione dell'angolo di taglio (24). Impostare l'angolo necessario sulla scala calibrata (23). Serrare di nuovo la leva (24).

Nel taglio sotto inclinazione, a causa della penetrazione di un'area maggiore della mola nel materiale, e della ridotta stabilità della base, potrebbe succedere un incastro della mola.

Tenere fermamente la sega e premere la base sul materiale lavorato.

Se risulta necessario impostare un angolo di taglio precisi-so, usare un goniometro.

INDICATORE DEL TAGLIO

La fessura (19) sulla base (5) serve da indicatore di taglio ad una mola verticale, e la fessura (18) – ad una inclinazione della mola di 45°. È meglio fare in anticipo un taglio di prova su un pezzo inutile di materiale.

AVVIAMENTO-ARRESTO

ATTENZIONE: Quando si inserisce la sega, tenerla saldamente con entrambe le mani. La coppia del motore elettrico potrebbe causare sollecitazione di torsione.

Avviamento: premere il pulsante di bloccaggio (22), e quindi premere e trattenere l'interruttore ON/OFF (9).

Arresto: rilasciare l'interruttore (9). La sega deve funzionare al numero di giri massimo prima di penetrare nel materiale, e disinserirsi solo dopo l'ultimazione del taglio.

IL TAGLIO

Tenere sempre l'impugnatura posteriore (8) con una mano, e l'impugnatura anteriore (11) con l'altra mano.

ATTENZIONE: Si deve tener presente che dopo che la sega sia disinserita, è necessario un certo periodo di tempo finché la sega finisca di girare. Non permettere alla sega di toccare il vostro corpo, in quanto il riparo (20) è mobile e potrebbe impigliarsi nei vostri abiti, e la mola (1) potrebbe denudarsi.

ISTRUZIONI PER L'USO

MANUTENZIONE

Dopo l'interruzione di un taglio, per riprendere il taglio premere il pulsante di bloccaggio (22), quindi premere e trattenere l'interruttore ON/OFF (9), e permettere alla mola (1) di raggiungere il numero pieno dei giri, prima di immetterla lentamente nella scanalatura, affinché il lavoro continui. A tagli trasversali le fibre del legname manifestano una tendenza alla rottura e al sollevamento, cosa che si potrebbe evitare ad un avanzamento lento della sega.

Taglio di materiale di grosse dimensioni

I piani grossi e le tavole lunghe tendono ad abbassarsi alla metà, o a piegarsi, se non sono fissati nel modo appropriato. In tale caso quando si taglia, la mola si incastrerà, causando un rinculo, e il sovraccarico del motore elettrico.

Per assicurare un taglio non pericoloso e stabile, met-tere blocchetti di legno a mo' di sostegni supplementari sotto il piano o la tavola sia in vicinanza della linea di taglio, che vicino al bordo esterno del materiale. Impostare una profondità di taglio adatta, di modo che quando si lavora si tagli soltanto il materiale, e non il tavolo o il banco da lavoro. Se il materiale da lavorare non può essere disposto tutto sul tavolo o sul banco da lavoro, mettere i blocchetti sul pavimento e provvedere ad un buon fissaggio.

Taglio parallelo

Quando si taglia parallelamente al pezzo lavorato, va usata la guida parallela (15). Per poter fissare la guida parallela (15), farla passare attraverso le sedi alla base (5) alla larghezza desiderata, e serrarla con la vite (17). La distanza dalla mola alla superficie della base della guida parallela viene determinata tramite la scala riportata su essa nel punto della fessura (19) in taglio verticale, o della fessura (18) nel taglio a 45°.

Al taglio parallelo di piani con grosse dimensioni, la guida parallela potrebbe non assicurare la necessaria larghezza di taglio. In tale caso fissare con un morsetto o inchiodare al foglio un'assicella dritta spessa 25 mm, usando questa da guida, e muovere in avanti la sega, toccando il lato destro della base all'assicella.

MANUTENZIONE

CONTROLLI GENERICI

Controllare regolarmente tutti gli elementi di fissaggio ed accertarsi che sono saldamente assicurati. Nel caso in cui qualche vite si è allentata, stringerla subito, per evitare situazioni di rischio.

Lubrificare regolarmente tutte le parti in mozione. Se il cavo di alimentazione è guasto, la sostituzione deve essere fatta dal costruttore o da un suo specialista di centro assistenza, per ovviare ai pericoli relativi alla sostituzione.

PULIZIA

Per un lavoro sicuro mantenere sempre puliti la macchina e i fori di ventilazione. Verificare regolarmente che non siano penetrati polvere o corpi estranei nella griglia di ventilazione vicino al motore elettrico o intorno ai commutatori. Usare una spazzola soffice per rimuovere la polvere ammassata.

Per proteggere gli occhi durante la pulitura, portare occhiali di protezione.

Se la carcassa della macchina necessita la pulitura, spolverarla con un canovaccio morbido e umido. Si può usare un debole detergente.

ATTENZIONE: Non è ammesso l'uso di alcole, benzina o altri solventi. Non adoperare mai preparati attaccanti per la pulitura delle parti plastiche. Non è ammessa l'entrata di acqua in contatto con la macchina.

PARTI DI RICAMBIO

Per provvedere a un lavoro sicuro con l'elettrotensile, e alla sua affidabilità, tutte le attività relative alla riparazione, la manutenzione e la regolazione (ivi incluse la verifica e la sostituzione delle spazzole) vanno effettuare nei centri assistenza autorizzati, usando soltanto pezzi di ricambio originali.

DATI TECNICI

Modello	CP190PL
Tensione	220-240 V~ 50 Hz
Potenza assorbita	1400 W
Numero di giri a vuoto	5000 RPM
Profondità massima di taglio	66 mm
Diametro della lama	190x30 mm
Peso	4,5 kg

ACCESSORI:

La guida parallela, chiave a brugola, lama TCT, connettore polveri.

L'azienda produttrice si riserva il diritto di apportare modifiche tecniche senza preavviso.

DICHIARAZIONE DI CONFORMITÀ

Noi dichiariamo sotto la nostra personale responsabilità, che questo prodotto è in conformità a tutte le disposizioni pertinenti della presente direttive e norme armonizzate: **CP190PL: 2014/30/EU, 2006/42/EC Annex I, EN55014-1:2006+A1+A2, EN55014-2:2015, EN61000-3-2:2014, EN61000-3-3:2013, EN60745-1:2009+A11, EN60745-2-5:2010, AfPS GS 2014:01.**

Il fascicolo tecnico viene custodito presso la: STATUS ITALIA S.R.L., via Aldo Moro, 14/A, 36060 - Pianezze (VI), ITALY



Caron Giacinto
Director
STATUS Italia S.r.l.

ПРЕДНАЗНАЧЕНИЕ НА УРЕДА ОСНОВНИ ИЗИСКВАНИЯ ЗА БЕЗОПАСНОСТ

ПРЕДНАЗНАЧЕНИЕ НА УРЕДА

Този електроинструмент е предназначен за надлъжно и напречно рязане на дърво по права линия с ъгъл на среза от 0° до 45°.

ОСНОВНИ ИЗИСКВАНИЯ ЗА БЕЗОПАСНОСТ

РАБОТНО МЯСТО

- Пазете работното си място в чисто състояние, без каквито и да било странични предмети. *Работното място трябва да бъде добре осветено за избягване на нещастни случаи.*
- Не използвайте уреда за работа във взривоопасна атмосфера и в близост до лесно възпламеними течности. *Електрическият двигател на уреда по време на работа изпуска искри и това може да стане причината за пожар.*
- По време на работа не се допуска присъствието на странични лица и деца на работното място.

ЕЛЕКТРИЧЕСКА БЕЗОПАСНОСТ

- Мрежовата розетка трябва да съответства на щепселната вилка, която е монтирана на мрежовия кабел на уреда. *Забранено е да внасяте промени в конструкцията на вилката и да използвате каквито и да било преходни елементи.*
- По време на работа избягвайте контакта със заземени предмети: водопроводни тръби, отоплителни радиатори и други. *При контакт със заземени предмети рискът от електрически удар значително нараства.*
- Предпазвайте уреда от въздействието на водата и повишената влажност. *Попадането на вода във вътрешността на уреда може да причини електрически удар.*
- Пазете мрежовия кабел на уреда. Не бива да използвате кабела за пренасяне на уреда, не бива да дърпате кабела, за да изключите уреда. Разполагайте кабела по време на работа далеч от източници на топлина, подвижни части на уреда и предмети с остри краища. *Повреденият кабел може да стане причината за електрически удар.*
- При работа с уреда извън помещенията е необходимо да използвате удължител, който е специално предназначен за експлоатация на открито. *Използването на специален удължител съществено понижава риска от електрически удар.*
- Параметрите на мрежата, в която да включите уреда, трябва да съответстват на параметрите, посочени върху фабричната табелка на уреда (220-240 V~, 50 Hz).

ЛИЧНА БЕЗОПАСНОСТ

- Не бива да работите с уреда в състояние на алкохолно или наркотично опиянение, под въздействието на лекарства или ако сте болни. *Краткосрочната загуба на контрол над уреда по време на работа може да стане причината за тежки травми.*

ОСНОВНИ ИЗИСКВАНИЯ ЗА БЕЗОПАСНОСТ

- **Винаги използвайте средства за индивидуална защита, както и защитни очила.** Към средствата за индивидуална защита можем да включим следните: респиратор, обувки, които не се хлъзгат, както и шумозащитни наушници. *Прилагането на средства за защита ще направи работата ви по-комфортна и безопасна.*
- **Бъдете внимателни:** при включване на уреда в мрежата, клавишът на изключвателя не бива да бъде фиксиран във включено положение. *Това ще помогне за избягване на случайното включване на уреда.*
- **Преди включване на уреда, от него трябва да бъдат свалени регулиращите инструменти, отвертките и други.** *Попадането на инструмента в подвижните части на уреда при включване може да стане причината за настъпване на травми и да доведе до излизането му от строя.*
- **По време на работа е необходимо да заемате устойчиво положение. Винаги стойте върху устойчива опора.** *Загубата на равновесие по време на работа може да стане причината за настъпване на тежки травми.*
- **Не бива да обличате за работа прекомерно свободни дрехи. Преди началото на работа свалете бижутата, които носите. Ако имате дълга коса, приберете я под шапка за коса.** *Попадането на краищата на дрехите, бижутата и косата в движещите се части на уреда може да причини травми.*
- **Ако е предвидено включването на прахосмукачка към уреда, е задължително да я включите преди работа.** *Ефективното почистване на праха от работната зона ще направи работата ви по-удобна и ще запази здравето ви.*

БЕЗОПАСНА ЕКСПЛОАТАЦИЯ И СЪХРАНЕНИЕ НА УРЕДА

- **Не бива да претоварвате уреда. За всеки вид работа използвайте само онзи вид инструмент или приспособление, които са предназначени за това.**
- **Не използвайте уреда, ако изключвателят му е повреден.** *Ако изключвателят не работи както трябва, и включването/изключването на уреда е затруднено, изключвателят трябва да бъде незабавно подменен.*
- **Винаги изключвайте уреда от мрежата, преди да регулирате уреда или да подменяте приставката.** *Това ще ви помогне да избегнете случайното включване на уреда по време на работите за обслужването му.*
- **Съхранявайте уреда на място, което е недостъпно за деца и лица, които нямат необходимите навици за работа с уреда.** *Лице, което преди това не е работило с такъв тип инструмент, преди началото на работата трябва внимателно да прочете тази инструкция.*
- **Преди да започнете работа, внимателно проверете състоянието на уреда:** за лекотата на преместване на подвижните части, за липсата на повредени корпусни детайли и приспособления. *Всяка повредена част на изделието или приспособление трябва да бъде подменена преди началото на работата.*
- **Съхранявайте режещото приспособление в чист вид, добре наточено и смазано.**

ДОПЪЛНИТЕЛНИ УКАЗАНИЯ ЗА БЕЗОПАСНОСТ ПРИ РАБОТА С ЦИРКУЛЯРНИ ТРИОНИ

- Използвайте инструмента и приспособлението само и единствено за извършване на тези видове работи, които са предвидени в инструкциите за експлоатация на съответния уред. Експлоатацията на уреда не по предназначение може да доведе до счупването му и да причини травми.

СЕРВИЗНО ОБСЛУЖВАНЕ

- Ремонтът на уреда трябва да се извършва в оторизиран сервизен център, от квалифициран персонал и само и единствено с оригинални резервни части. Използването на резервни части, които не са сертифицирани от производителя на съответния уред може да доведе до излизане на уреда от строя и нарушаване на нормите за електрическа безопасност на уреда.

ДОПЪЛНИТЕЛНИ УКАЗАНИЯ ЗА БЕЗОПАСНОСТ

Инструкции за безопасност за всички триони

ОПАСНОСТ: Дръжте ръцете си далеч от зоната на рязане и тази на режещия диск. Дръжте с другата си ръка допълнителната ръкохватка или корпуса на двигателя. Когато и двете ръце държат триона, те не може да бъдат наранени от режещия диск.

- Не хващайте под обработвания детайл. Предпазителят не може да ви предпази от режещия диск под обработвания детайл.
- Съобразете дълбочината на рязане с дебелината на обработваемия детайл. Тя би трябвало да е помалка от една цяла височина на зъб, видима под обработваемия детайл.
- Не дръжте никога обработвания детайл, който режете, в ръцете си или над крака ви. Закрепвайте детайла стабилно. Важно е детайлът да е добре закрепен, за да се намали до минимум опасността от допир до тялото, приклепване на режещия диск или загуба на контрол.
- Хващайте електроинструмента по изолираните повърхности на ръкохватката, когато изпълнявате работа, при която режещият инструмент може да се допре до скрити проводници на ток или до собствения му шнур. Допир до проводник под напрежение поставя също така металните части на електроинструмента под напрежение и води до поражение от електрически ток на оператора.
- Когато режете продължително, използвайте винаги ограничител или прав водач по ръба. Това подобрява точността на рязане и намалява възможността режещия диск да се заклини.
- Винаги използвайте режещи дискове с правилната големина и форма на отворите за присъединяване (ромбоиден или кръгъл). Режещи дискове, които не се присъединяват правилно към монтажната част на триона, не се въртят в кръг и водят до загуба на контрол.
- Никога не използвайте повредени или неподходящи подложни шайби или болтове. Подложните шайби и болтове са конструирани специално за вашия трион, за оптимално изпълнение и безопасност при работа.

ДОПЪЛНИТЕЛНИ УКАЗАНИЯ ЗА БЕЗОПАСНОСТ ПРИ РАБОТА С ЦИРКУЛЯРНИ ТРИОНИ

Причини и предпазване на оператора от обратен удар

- обратен удар е внезапна реакция вследствие на притиснат, заклинен или неправилно поставен режещ диск, водеща до излизане на триона от контрол и отскачане нагоре и извън обработвания детайл, в посока към оператора;
- когато режещият диск се заклини или се притисне в затварящия се процеп на триона, режещият диск блокира и реактивната сила от двигателя внезапно отклонява триона обратно в посока към оператора;
- ако режещият диск превърта или е неправилно насочен в разреза, зъбите от долната страна на режещия диск може да се забият в повърхността на обработвания детайл, вследствие на което режещият диск се придвижва навън (изкачва се по дънера) и трионът отскача обратно в посока към оператора.

Обратен удар е вследствие на погрешна употреба на триона и/или неправилни процедури или условия за работа. Той може да се предотврати чрез подходящи предпазни мерки като описаните подолу:

- **Дръжте здраво триона с две ръце и изнесете раменете в положение, в което можете да овладеете силата на обратния удар. Стойте винаги встрани от режещия диск, никога режещият диск не трябва да е на една линия с вашето тяло.** *При обратен удар трионът може да отскочи назад, операторът обаче може чрез подходящи предпазни мерки да овладее силата на обратния удар.*
- **Когато режещият диск се заклини или когато искате да прекъснете работа по друга причина, изключете триона и оставете режещия диск в детайла до окончателното му спиране. Никога не опитвайте да отстранявате триона от детайла или да дърпате назад, докато режещият диск се върти, защото може да възникне обратен удар.** *Установете и отстранете причината за заклиняването на режещия диск.*
- **Когато пуснете отново в действие трион, който е останал в обработвания детайл, центрирайте режещия диск в процепа на рязане и проверете дали режещите зъби не са заклинени в материала.** *Ако режещият диск е заклинен, може да отскочи навън от обработвания детайл или да стане причина за обратен удар, когато трионът се пусне отново.*
- **Подпирайте големите плотове, за да намалите риска от заклиняване на режещия диск от обратен удар.** *Големите плотове могат да се огънат от собственото си тегло. Опорите трябва да са разположени под плота от двете страни, в близост до линията на рязане и в близост до ръбовете.*
- **Не използвайте износени или повредени режещи дискове.** *Режещи дискове с износени или неправилни зъби стесняват прореза и предизвикват повишено триене, заклиняване на режещия диск и обратен удар.*
- **Бъдете особено предпазливи при "потъващи разрези" в съществуващи стени или други невидими зони.** *Подаващият се диск може да среже обектите и да причини обратен удар.*

ДОПЪЛНИТЕЛНИ УКАЗАНИЯ ЗА БЕЗОПАСНОСТ ПРИ РАБОТА С ЦИРКУЛЯРНИ ТРИОНИ

- Дълбочината за режещия диск и лостовите за фиксиране и регулиране на наклон трябва да бъдат затегнати здраво и сигурно преди започване на рязането. *Когато по време на рязане променяте настройките за режещия диск, това може да причини заклиняване и обратен удар.*

Инструкции за безопасност за триони с външен махаловиден предпазител, трион с вътрешен махаловиден предпазител, триони с изтеглящ се предпазител:

- Проверете долния предпазител дали е добре затворен преди всяка употреба. Не пускайте триона, ако долният предпазител не се движи свободно и не се затваря веднага. Никога не притискайте и не стягайте плътно долния предпазител в отворено положение. *Ако трионът падне случайно, долният предпазител може да се изкриви. Повдигнете долния предпазител с прибиращия лост и осигурете свободното му движение и да не се допира до режещия диск или до всяка друга част при всички ъгли и дълбочини на рязане.*
- Проверете функцията на пружината за долния предпазител. Ако предпазителят и пружината не работят правилно, те трябва да се ремонтират преди употреба. *Долният предпазител може да действа забавено от повредени части, лепкави наслоявания или натрупвания от стружки.*
- Долният предпазител може да се прибира ръчно само при специални рязания като "потъващи разрези" и „сложни разрези“. Повдигнете долния предпазител с прибиращия лост, докато режещият диск навлезе в материала и след това го освободете. *При всички други видове рязания с триона, долният предпазител трябва да действа автоматично.*
- Винаги следете долният предпазител да е покрил режещия диск, преди да оставите триона върху работната маса или пода. *Незащитен, движещ се по инерция режещ диск, може да задвижи триона срещу посоката на рязане и да среже каквото му е насреща. Трябва да се знае времето, за което режещият диск спира напълно, след изключване на предпазителя.*

Допълнителни инструкции за безопасност за всички триони с разделящ (процепващ) нож

- Използвайте подходящ разделящ нож за използвания режещ диск. *Разделящият нож трябва да е подебел от дебелината на тялото на режещия диск, но потънък от широчината на неговите зъби.*
- Регулирайте разделящия нож, както е описано в инструкцията за експлоатация. *Неправилно място, разположение и подравняване правят разделящия нож неефективен при предотвратяване на обратен удар.*
- Винаги използвайте разделящ нож, освен при потъващи разрези. *Разделящият нож трябва да бъде монтиран отново след потъващ разрез. Разделящият нож пречи при потъващи разрези и може да предизвика обратен удар.*

ДОПЪЛНИТЕЛНИ УКАЗАНИЯ ЗА БЕЗОПАСНОСТ ПРИ РАБОТА С ЦИРКУЛЯРНИ ТРИОНИ

- За да може разделящият нож да работи, той трябва да е навлязъл в обработвания детайл. При къси разрези разделящият нож е неефективен за предотвратяване на обратен удар.
- Не работете с триона, ако разделящият нож е изкривен. Дори незначителна повреда може да забави затварянето на предпазителя.
- Използвайте средства за защита на слуха при продължителна работа. Интензивният шум по време на работа може да предизвика слухови увреждания.
- По време на работа използвайте средства за защита на зрението, за да се предпазите от хвърчащи частици. Носете защитни очила.
- Вземете предпазни мерки срещу вдишване на прах. Някои материали могат да съдържат токсични съставки. Носете прахозащитна маска. Използвайте устройство за прахоотвеждане.
- Не обработвайте материали, съдържащи азбест. Азбестът се счита за канцерогенно вещество.
- Препоръчва се използването на защитни ръкавици.
- Преди да свържете електроинструмента към захранващата мрежа, убедете се че захранващото напрежение отговаря на посоченото върху табелката с технически данни на електроинструмента.
- Източник на захранване с напрежение, по-високо от посоченото за електроинструмента, може да предизвика както сериозно поражение от електрически ток върху оператора, така и повреда на електроинструмента.
- Ако имате някакви колебания, не поставяйте щепсела на електроинструмента в контактното гнездо.
- Използването на източник на захранване с напрежение, пониско от обозначеното върху табелката на електроинструмента, ще увреди електродвигателя.
- За да се предотврати евентуално прегряване, винаги развивайте докрай кабела от удължител с кабелен барабан.
- Когато се налага използването на удължител, убедете се, че сечението му отговаря на номиналния ток на използвания електроинструмент, както и в изправността на удължителя.
- Не използвайте електроинструмента с повреден кабел. Не докосвайте повредения кабел и извадете щепсела от контакта, ако кабелът се повреди по време на работа. Повредените кабели повишават риска от токов удар.
- Дръжте захранващия кабел извън работния обхват на машината.
- Преди започване на работа отстранете от обработвания детайл всички гвоздеи, винтове и други тела. При врязване в гвоздей или друго метално тяло можете да повредите диска и електроинструмента, което е предпоставка за трудова злополука.
- Фиксирайте обработвания детайл в менгеме или по друг подходящ начин.
- Не включвайте машината под товар. Преди да включите машината се убедете, че дискът не допира обработваната повърхност.

ДОПЪЛНИТЕЛНИ УКАЗАНИЯ ЗА БЕЗОПАСНОСТ ПРИ РАБОТА С ЦИРКУЛЯРНИ ТРИОНИ

- Винаги изключвайте електроинструмента и изчакайте до пълното спиране на въртене на диска, преди да отдръпнете машината от обработвания детайл.
- След изключване режещият диск да не се спира чрез страничен натиск.
- Не докосвайте диска веднага след преустановяване на работа с него. Дискът може да бъде много горещ и да получите изгаряне на кожата.
- Да не се използват режещи дискове, чиито параметри не съответстват на посочените в тази инструкция.
- Да не се използват абразивни дискове (за шлифование или рязане).
- Не използвайте износени или повредени режещи дискове. Когато дисковете са износени или с неправилно извършен чапраз, разрязваната междина е тясна, поради което силно се увеличават триенето, както и опасността от заклиняване и отскок.
- Не посягайте с ръце под обработвания детайл. Предпазителят не може да ви защити от режещия диск под обработвания детайл.
- Регулирайте дълбочината на рязане според дебелината на материала. Оставете не повече от един зъб да се показва от долната страна на материала.
- В работната област не се допуска наличие на парцали, кърпи, кълчища, канап, шнуrowe и др.
- Да не се използват режещи дискове, чието основно тяло е по-дебело, а ширината на зъбите с чапраза - по-малка от дебелината на процепващия нож, която е 2 mm.
- Процепващият нож да не се сваля, освен при връзване чрез потапяне.
- Подвижният предпазител, който покрива напълно режещия диск между отделните операции, да не се блокира в положение "отворено".
- При блокиране на режещия диск веднага да се изключи машината (освобождава се лостът на прекъсвача).
- Електроинструментът трябва да се използва само по предназначение. Всякаква друга употреба, различаваща се от описаната в тази инструкция, ще се счита за неправилна употреба. Отговорността за всякаква повреда или нараняване, произтичащи от неправилна употреба, ще се носи от потребителя, а не от производителя.
- За да експлоатирате правилно този електроинструмент, трябва да съблюдавате правилата за безопасност, общите инструкции и указанията за работа, посочени тук. Всички потребители трябва да са запознати с тази инструкция за използване и информирани за потенциалните рискове при работата с електроинструмента.
- Деца и физически слаби хора не трябва да използват електроинструмента. Децата трябва да бъдат под непрекъснато наблюдение ако се намират в близост до място, където се работи с електроинструмента. Задължително е да предприемете и превантивни мерки за безопасност. Същото се отнася и за спазването на основните правила за професионалното здраве и безопасност.
- Производителят не носи отговорност за извършени от потребителя промени върху електроинструмента или за повреди, предизвикани от подобни промени.

ОПИСАНИЕ

- Електроинструментът е предназначен за работа в помещения и зони с нормална пожарна опасност съгласно "Наредба №2 "Противопожарни строително-технически норми". Не се допуска използването му във взривоопасна и пожароопасна среда, при температура на околния въздух над 40°C, в особено влажна среда, при наличие на валежи и в химически активна среда.

Правила за безопасност при работа с лазер

Тези лазери обикновено не представляват опасност за очите, въпреки това обаче ако гледате директно в лазера може да бъдете заслепени.

ПРЕДУПРЕЖДЕНИЕ: Не гледайте директно към лазерния лъч. Ако преднамерено се взирате в лазерния лъч, съществува опасност за вашето зрение.

- Лазерът трябва да се използва и поддържа в съответствие с инструкциите на производителя.
- Никога не насочвайте лазерния лъч към човек или към предмет, който не е обработвания материал.
- Лазерният лъч не трябва да се насочва към човек и трябва особено да се внимава да не се насочва към човешки очи.
- Винаги се уверявайте, че лазерният лъч е насочен към здрав материал, чиято повърхност не отразява, т.е. дърво или грубо облицовани повърхности. Блестящата стоманена ламарина не е подходяща за лазерна обработка поради отразяващата ѝ повърхност, която може да насочи потока от лазерни лъчи обратно към оператора.
- Не подменяйте вградения лазер с друг, който не е от същия вид. Ремонтът трябва да се извършва само от производителя или от оторизираните сервиси.

ОПИСАНИЕ

1. Диск
2. Прекъсвач на лазерното устройство
3. Външен фланец
- 3а. Вътрешен фланец за диска (не е показан)
4. Болт за затягане на диска
5. Основа
6. Горен неподвижен предпазител на диска
7. Отвор за прахоотвеждане
8. Задна ръкохватка
9. Прекъсвач
10. Електродвигател
11. Предна ръкохватка
12. Лост на подвижния предпазител
13. Скала за определяне на дълбочината на рязане
14. Лост за регулиране на дълбочината на рязане
15. Паралелен водач
16. Фиксатор на регулатора за дълбочина
17. Винт за закрепване на паралелния водач
18. Прорез - указател при рязане под 45°
19. Прорез - указател при рязане под 90°
20. Подвижен предпазител на диска
21. Бутон за застопоряване на вретеното
22. Блокиращ бутон срещу случайно включване
23. Скала за определяне ъгъла на рязане
24. Фиксатор на лоста за регулиране на ъгъла на рязане

УКАЗАНИЯ ЗА РАБОТА

- Проверете дали напрежението на електрическата мрежа отговаря на това, означено върху табелката с технически данни на електроинструмента.
- Проверете в какво положение се намира прекъсвачът. Електроинструментът трябва да се присъединява и отделя от захранващата мрежа само при изключен прекъсвач. Ако поставите щепсела в контакт докато прекъсвачът е във включено положение, електроинструментът веднага ще се задейства, което е предпоставка за злополука.
- Убедете се в изправността на захранващия кабел и щепсел. Ако захранващият кабел е повреден, замяната трябва да се извърши от производителя или от негов сервизен специалист, за да се избегнат опасностите от замяната.
- Проверете състоянието на режещия диск. Да се употребяват само добре заточени дискове. Спукани или деформирани дискове да се сменят веднага. Да не се употребяват режещи дискове от високолегирана бързорезеща (HSS) стомана.
- Проверете дали дискът е надеждно закрепен и се движи свободно.
- Проверете дали подвижният предпазител се движи свободно.
- Здраво ли е закрепен детайлът или материалът, който ще се обработва.
- Пуснете машината да поработи на празен ход за 30 секунди. При наличие на вибрации заменете диска.

СМЯНА НА РЕЖЕЩИЯ ДИСК

- Натиснете бутона за застопоряване на вретеното (21). При натиснат бутон (21) с помощта на ключа, доставен с машината, завъртете болт (4) в посока обратна на часовниковата стрелка. Демонтирайте болта (4) и външния фланец за диска (3).
- Убедете се че фланците за диска и болта не са замърсени с прах, грес и пр.
- Натиснете лоста (12) на долния подвижен предпазител обратно на часовниковата стрелка, за да повдигнете долния предпазител на диска (20) към горния предпазител (6). Докато извършвате това, проверете годността на пружината на долния предпазител.
- Убедете се че зъбите на диска (1) и стрелката върху него сочат в същата посока като стрелката върху горния предпазител (6).
- Прокарайте новия диск (1) през прореза в основата (5) и го монтирайте върху оста срещу вътрешния фланец (3а). Убедете се че опорните повърхнини на фланците са подравнени към диска (1).
- Затегнете външния фланец (3). Първо завийте на ръка болта за затягане на диска (4). Натиснете бутона за застопоряване на вретеното (21). При натиснат бутон (21) затегнете здраво болт (4) с помощта на ключа, влизащ в комплектацията.

УКАЗАНИЯ ЗА РАБОТА

- Преди да свържете циркулярния трион към хранващата мрежа, се убедете че:
 - бутонът за застопоряване на вретеното (21) е освободен;
 - дискът се върти свободно;
 - долният предпазител (20) функционира пра-вилно.

ЗАБЕЛЕЖКА: Не се допуска удължаване на гаечния ключ, тъй като така може да предизвикате прекомерно затягане на болта (4) за затягане на диска.

НАСТРОЙВАНЕ ДЪЛБОЧИНАТА НА РЯЗАНЕ

Освободете лоста за регулиране на дълбочината на рязане (14). Дръжте основата (5) с една ръка, с другата ръка повдигнете или свалете триона чрез ръкохватката (8). Затегнете лоста за регулиране на дълбочината на рязане (14) на желаната дълбочина.

За да осигурите минимално отцепване на трески по време на работа, убедете се че извън обработвания материал не се подава повече от един зъб.

ЗАБЕЛЕЖКА: При рязане под наклон дълбочината на рязане, зададена на скала (13), не съвпада с реалната стойност. В този случай дълбочината на рязане следва да се измери от върха на зъба до ръба на прореза в основата с измервателен инструмент.

НАСТРОЙВАНЕ ЪГЪЛА НА РЯЗАНЕ

Вертикално рязане

Настройте максимална дълбочина на рязане. Освободете лоста за регулиране ъгъла на рязане (24), изберете 0° върху скалата (23), затегнете отново лоста за регулиране ъгъла на рязане (24) и проверете с триъгълник дали дискът (1) и основата (5) сключват прав ъгъл.

Рязане под наклон

Наклонът на основата (5) може да се регулира от 0° до 45°. Разхлабете лоста за регулиране ъгъла на рязане (24). Задайте необходимия ъгъл върху калибрираната скала (23). Затегнете отново лоста (24).

При рязане под наклон поради връзването на поголяма площ на диска в материала и намалената стабилност на основата, може да се появи заклиняване на диска. Дръжте здраво триона и притискайте основата към обработвания материал. При необходимост от задаване на точен ъгъл на рязане използвайте ъгломер.

УКАЗАТЕЛ НА РЯЗАНЕТО

Прорезът (19) върху основата (5) служи като указател за рязането при вертикален режещ диск, а прорез (18) - при наклон на режещия диск 45°. Найдобре е предварително да се направи пробен срез върху парче непотребен материал.

ПУСКАНЕ - СПИРАНЕ

ПРЕДУПРЕЖДЕНИЕ: При включване на триона го дръжте здраво с две ръце. Въртящият момент на електродвигателя може да предизвика усукващо усилие.

Пускане: натиснете блокиращият бутон (22), а след това натиснете и задръжте прекъсвача (9).

Спиране: отпуснете прекъсвача (9). Трионът трябва да работи на максимални обороти преди да се вреже в материала и да се изключва само след завършване на прореза.

ПРАХООТВЕЖДАНЕ:

Използвайте прахосмукачка по време на работа. Присъединете прахосмукачката в отвора на предпазителя (7) и я включете преди да започнете среза.

РЯЗАНЕ

Винаги дръжте задната ръкохватка (8) с едната си ръка, а предната ръкохватка (11) - с другата си ръка.

ПРЕДУПРЕЖДЕНИЕ: Трябва да имате предвид че след изключване на триона е необходимо известно време докато дискът напълно преустанови въртенето си. Не допускайте трионът да се допира до тялото ви, тъй като предпазителят (20) е подвижен и може да се закачи в дрехите ви, а дискът (1) да се оголи.

След прекъсване на прорез, за да възобновите рязане натиснете блокиращият бутон (22), след това натиснете и задръжте прекъсвача (9) и позволете дискът (1) да се развърти на пълни обороти преди бавно да го вкарате в прореза, за да продължите работа.

При напречни прорези влакната на дървесината проявяват тенденция към скъсване и повдигане, което може да се избегне при бавно подаване на триона.

Рязане на материал с големи размери

Големите плоскости и дългите дъски провисват или се огъват ако не са закрепени по подходящ начин. В този случай при рязане дискът ще се заклинни, предизвиквайки откат и претоварване на електродвигателя.

За да осигурите безопасно и стабилно рязане поставете дървени трупчета като допълнителни опори под плоскостта или дъската както в близост до линията на рязане, така и до външния ръб на материала. Задайте подходяща дълбочина на рязане, така че при работа да режете само материала, а не работната маса или тезгяха. Ако материалът, който ще обработване, не се побира на работна маса или тезгях, поставете трупчетата на пода и осигурете добро закрепване.

Паралелно рязане

При рязане, успоредно на ръба на детайла, се използва паралелен водач (15). За да закрепите паралелния водач (15) го прекарайте през гнездата в основата (5) на желаната ширина и го притегнете с винт (17).

Разстоянието от диска до базовата повърхност на паралелния водач се определя по нанесената върху него скала в точката на прорез (19) при вертикално рязане или на прорез (18) при рязане под 45°.

При паралелно рязане на плоскости с големи размери паралелният водач може да не осигури необходимата ширина на рязане. В такъв случай закрепете със стяга или заковете към листа права летва с дебелина 25 мм, която да използвате като водач и водете триона, като допирате дясната страна на основата към летвата.

ПОДДРЪЖКА

ОБЩА ПРОВЕРКА

Проверявайте редовно всички крепежни елементи и се уверете, че те са здраво притегнати. В случай, че някой от винтовете се е разхлабил, го затегнете незабавно, за да избегнете рискови ситуации.

Ако охранващият кабел е повреден, замяната трябва да се извърши от производителя или негов сервизен специалист, за да се избегнат опасностите от замяната.

ПОЧИСТВАНЕ

За безопасна работа поддържайте винаги чисти машината и вентилационните отвори. Редовно проверявайте дали във вентилационната решетка близо до електродвигателя или около превключвателите не е проникнал прах или чужди тела. Използвайте мека четка за да отстраните събралия се прах.

За да предпазите очите си, по време на почистването носете защитни очила.

Ако корпусът на машината се нуждае от почистване, избършете го с мека влажна кърпа. Може да се използва слаб препарат за миене.

ПРЕДУПРЕЖДЕНИЕ!

Не се допуска употребата на спирт, бензин или други разтворители. Никога не използвайте разяждащи препарати за почистване на пластмасовите части. Не се допуска влизането на вода в контакт с машината.

РЕЗЕРВНИ ЧАСТИ

За да се осигури безопасната работа с електроинструмента и неговата надеждност, всички дейности по ремонта, поддръжката и регулирането (включително проверката и подмяната на четките) трябва да се извършват в оторизираните сервизи с използване само на оригинални резервни части.

ТЕХНИЧЕСКИ ДАННИ ДЕКЛАРАЦИЯ ЗА СЪОТВЕТСТВИЕ

ТЕХНИЧЕСКИ ДАННИ

Модел	CP190PL
Номинално напрежени	220-240 V~ 50 Hz
Консумирана мощност	1400 W
Обороти на празен ход	5000 RPM
Макс. дълбочина на рязане	66 mm
Диаметър на диска	190x30 mm
Тегло	4,5 kg

Окомплектовка:

Паралелен водач, ключ шестограм, диск ТСТ, конектор за прахосмукачка.

Производителят си запазва правото да въвежда подобрения и промени в своите изделия и да променя спецификациите без предупреждение.

ДЕКЛАРАЦИЯ ЗА СЪОТВЕТСТВИЕ

Декларираме на своя лична отговорност, че електроинструмент(и) **CP190PL** съгласно даденото техническо описание отговаря на всички приложими изисквания на следните директиви: **2014/30/EU, 2006/42/EC Annex I.**

Хармонизирани стандарти: **EN55014-1:2006+A1+A2, EN55014-2:2015, EN61000-3-2:2014, EN61000-3-3:2013, EN60745-1:2009+A11, EN60745-2-5:2010, AfPS GS 2014:01.**

Техническа документация: STATUS ITALIA S.R.L., via Aldo Moro, 14/A, 36060 - Pianezze (VI), ITALY



Caron Giacinto
Director
STATUS Italia S.r.l.

01.12.2016

STATUS ITALIA S.R.L., ул. „Алдо Моро“ 14/A –
36060 Пианезе (Виченца), Италия.

ПРЕДНАЗНАЧЕНИЕ ИЗДЕЛИЯ

ОСНОВНЫЕ ТРЕБОВАНИЯ БЕЗОПАСНОСТИ

ПРЕДНАЗНАЧЕНИЕ ИЗДЕЛИЯ

Этот электроинструмент предназначен для поперечной и продольной резки дерева по прямой линии, с углом среза от 0° до 45°.

ОСНОВНЫЕ ТРЕБОВАНИЯ БЕЗОПАСНОСТИ

РАБОЧЕЕ МЕСТО

- Содержите рабочее место чистым и свободным от посторонних предметов.
- Рабочее место должно быть хорошо освещено во избежание несчастных случаев.
- Не используйте изделие для работы во взрывоопасной атмосфере и вблизи от легковоспламеняющихся жидкостей. *Электродвигатель изделия при работе искрит и это может стать причиной пожара.*
- Во время работы не допускайте посторонних и детей к рабочему месту.

ЭЛЕКТРОБЕЗОПАСНОСТЬ

- Сетевая розетка должна соответствовать штепсельной вилке, установленной на сетевом кабеле изделия. Запрещается внесение изменений в конструкцию вилки и использование любых переходников.
- Во время работы избегайте контакта с заземленными предметами: водопроводными трубами, радиаторами отопления и т.д. *При контакте с заземленными предметами значительно возрастает риск поражения электрическим током.*
- Предохраняйте изделие от воздействия воды и повышенной влажности. *Попадание воды внутрь изделия может привести к поражению электрическим током.*
- Берегите сетевую кабель изделия. Не используйте кабель для переноски изделия, не тяните за кабель чтобы выключить изделие. Располагайте кабель во время работы вдали от источников тепла, подвижных частей изделия и предметов с острыми краями. *Поврежденный кабель может стать причиной поражения электрическим током.*
- При работе изделием вне помещения применяйте удлинитель, специально предназначенный для эксплуатации на открытом воздухе. *Использование специального удлинителя значительно снижает риск поражения электрическим током.*
- Параметры сети для подключения изделия должны соответствовать параметрам указанным на маркировочной табличке изделия. (220-240 В~, 50 Гц)

ЛИЧНАЯ БЕЗОПАСНОСТЬ

- Не работайте изделием в состоянии алкогольного или наркотического опьянения, под воздействием лекарств и в болезненном состоянии. *Кратковременная потеря контроля над изделием во время работы может стать причиной серьезной травмы.*

ОСНОВНЫЕ ТРЕБОВАНИЯ БЕЗОПАСНОСТИ

- Всегда применяйте средства индивидуальной защиты и защитные очки. К средствам индивидуальной защиты относятся: респиратор, нескользящая обувь и шумозащитные наушники. *Применение средств защиты сделает работу более комфортной и безопасной.*
- Внимательно следите за тем, чтобы при включении изделия в сеть, клавиша выключателя не была зафиксирована во включенном положении. *Это поможет избежать случайного включения изделия.*
- Следите за тем, чтобы перед включением изделия из него были удалены регулировочные инструменты, отвертки и т.п. *Попадание инструмента в подвижные части изделия при включении может стать причиной травмы и привести к выходу изделия из строя.*
- При работе занимайте устойчивое положение. Всегда стойте на устойчивой опоре. *Потеря равновесия во время работы может стать причиной серьезной травмы.*
- Не одевайте для работы излишне свободную одежду. Перед началом работы снимите ювелирные украшения. Если у Вас длинные волосы, спрячьте их под головной убор. *Попадание краев одежды, ювелирных изделий и волос в движущиеся части изделия может привести к травме.*
- Если в изделии предусмотрено подключение пылесоса обязательно подключите его перед работой. *Эффективное удаление пыли из рабочей зоны сделает работу более удобной и сохранит Ваше здоровье.*

БЕЗОПАСНОЕ ИСПОЛЬЗОВАНИЕ И ХРАНЕНИЕ ИЗДЕЛИЯ

- Не перегружайте изделие. Для каждого вида работ используйте только тот тип инструмента или оснастки, который для этого предназначен.
- Не используйте изделие с неисправным выключателем. *Если выключатель работает нечетко и включение/выключение изделия затруднено, выключатель подлежит немедленной замене.*
- Всегда отключайте изделие от сети перед тем как отрегулировать изделие или поменять оснастку. *Это поможет избежать случайного включения изделия во время работ по его обслуживанию.*
- Храните изделие в месте, недоступном детям и лицам не имеющим навыков работы с изделием. *Лицо, ранее не работавшее таким типом инструмента обязано перед началом работы внимательно прочитать эту инструкцию полностью.*
- Перед началом работы внимательно проверяйте состояние изделия: легкость перемещения подвижных частей, отсутствие повреждений корпусных деталей и оснастки. *Любая поврежденная часть изделия или оснастки должна быть заменена перед началом работы.*
- Содержите режущую оснастку в чистом виде, хорошо заточенной и смазанной.
- Используйте инструмент и оснастку только для производства тех видов работ, которые предусмотрены в инструкции по эксплуатации данного изделия. *Использование изделия не по прямому назначению может привести к его поломке и травмам.*

ДОПОЛНИТЕЛЬНЫЕ ТРЕБОВАНИЯ БЕЗОПАСНОСТИ ПРИ РАБОТЕ С ДИСКОВОЙ ПИЛОЙ

СЕРВИСНОЕ ОБСЛУЖИВАНИЕ

- Ремонт изделия должен осуществляться в авторизованном сервисном центре, квалифицированным персоналом и с использованием только оригинальных запасных частей. Использование при ремонте запасных частей не сертифицированных производителем данного изделия может привести к выходу изделия из строя и нарушению норм электробезопасности изделия.

ДОПОЛНИТЕЛЬНЫЕ ТРЕБОВАНИЯ БЕЗОПАСНОСТИ

Инструкции по безопасности для всех видов пил

ОПАСНОСТЬ: Держите руки вне зоны резанья и зоны режущего диска. Другой рукой держите дополнительную рукоятку или корпус двигателя. Если удерживать машину обеими руками, они не будут травмированы режущим диском

- **Не беритесь руками за зону под обрабатываемой деталью.** Предохранитель не может предохранить вас от режущего диска под обрабатываемой деталью.
- **Глубина резанья должна соответствовать толщине обрабатываемой детали.** Она должна быть меньше одной целой высоты зубца, видимой под обрабатываемой деталью.
- **Никогда не держите обрабатываемую деталь руками во время резанья, или над своими ногами. Закрепите деталь стабильно.** Деталь должен быть хорошо закреплен, чтобы сократить до минимума опасность соприкосновения с телом, блокировки режущего диска или потери контроля.
- **Держите электроинструмент за изолированные поверхности рукоятки во время работ, при которых режущий инструмент может прикоснуться к скрытой электропроводке или к собственному шнуру.** Прикосновение к проводке под напряжением передает электрическое напряжение на металлические части электроинструмента, что ведет к поражению электрическим током оператора.
- **При длительном резанье всегда используйте ограничитель или прямую направляющую по кромке.** Это улучшает точность резанья и снижает возможность блокировки режущего диска.
- **Всегда используйте режущие диски правильного размера и формы отверстий для соединения (ромбовидный или круглый).** Режущие диски, которые неправильно соединены к монтажной части пилы, не вращаются в круг и ведут к потере контроля.
- **Никогда не используйте поврежденные или неподходящие подложные шайбы или болты.** Подложные шайбы и болты конструируются специально для вашей пилы, для оптимальной и безопасной работы.

Причины и предохранение оператора от обратного удара:

- обратный удар - это внезапная реакция вследствие прижатого, заклиненного или неправильно монтированного режущего диска, в результате чего пила выходит из под контроля и отскакивает вверх, выходя из обрабатываемые детали, в сторону оператора;

ДОПОЛНИТЕЛЬНЫЕ ТРЕБОВАНИЯ БЕЗОПАСНОСТИ ПРИ РАБОТЕ С ДИСКОВОЙ ПИЛОЙ

- если режущий диск заклинит, или он прижат в щели пилы, режущий диск блокируется и реактивная сила двигателя внезапно отклонит пилу назад в сторону оператора;
- если режущий диск прокручивается, или неправильно вставлен в разрез, зубцы с нижней стороны режущего диска могут застрять в поверхности обрабатываемой детали, вследствие чего режущий диск передвигается вперед (вверх по пню), и пила отскакивает назад в сторону оператора.

Обратный удар возникает вследствие ошибочного использования пилы и/или неправильной процедуры, или условий работы. Он может быть предотвращен с помощью подходящих мер предосторожности, описанных ниже:

- **Держите пилу крепко двумя руками, плечи держите так, чтобы вы смогли овладеть силой отскока. Всегда стойте сбоку режущего диска, режущий диск никогда не должен быть на одной линии с вашим телом. При обратном ударе пила может отскочить назад, и у оператора должна быть возможность подходящими мерами предосторожности овладеть силой отскока.**
- **Если режущий диск заклинит, или если вы желаете прервать работу по какой-либо причине, выключите пилу и оставьте режущий диск внутри обрабатываемой детали до его окончательной остановки. Никогда не пытайтесь вывести пилу из детали или дернуть ее назад, пока режущий диск вращается – это может привести к отскоку. Установите и устраните причину заклинивания режущего диска.**
- **При повторном пуске пилы, которая осталась в обрабатываемой детали, центрируйте режущий диск в разрезанной щели и убедитесь, что режущие зубцы не заклинились в материале. Если режущий диск заклинен, он может выскочить из обрабатываемой детали или стать причиной отскока при повторном запуске пилы.**
- **Подоприте крупные детали, чтобы сократить риск заклинивания режущего диска при отскоке. Крупные детали могут прогнуться под воздействием собственного веса. Опоры должны располагаться под деталью с двух сторон, вблизи линии разреза и кромки.**
- **Не используйте изношенные или поврежденные режущие диски. Режущие диски с изношенными или неправильными зубцами уменьшают прорез и повышают трение, ведут к заклиниванию режущего диска и отскоку.**
- **Глубина режущего диска и рычаги для фиксации и регулировки наклона должны быть крепко и надежно закручены перед началом работ. Если изменять настройки режущего диска во время работы, это может привести к заклиниванию и отскоку.**
- **Будьте особенно осторожны при “проникающих разрезах” в существующих стенах или других невидимых зонах. Выступающий диск может срезать другие объекты и привести к обратному удару (отскоку).**

ДОПОЛНИТЕЛЬНЫЕ ТРЕБОВАНИЯ БЕЗОПАСНОСТИ ПРИ РАБОТЕ С ДИСКОВОЙ ПИЛОЙ

Инструкции по безопасности для пилы с внешним маятниковым предохранителем, пилы с внутренним маятниковым предохранителем, пилы со съёмным предохранителем:

- **Перед использованием проверьте, хорошо ли закрыт нижний предохранитель. Не включайте пилу, если нижний предохранитель не двигается свободно и не закрывается быстро. Никогда не прижимайте и не закручивайте плотно нижний предохранитель в открытом положении. Если пила случайно упадет, нижний предохранитель может деформироваться. Поднимите нижний предохранитель с помощью рычага, обеспечив свободное движение, при котором он не соприкасается с режущим диском или любой другой частью при любых углах и глубине резки.**
- **Проверьте действие пружины нижнего предохранителя. Если предохранитель и пружина не работают правильно, их необходимо отремонтировать перед использованием. Нижний предохранитель может работать замедленно из-за поврежденных частей, клейких наслоений или накопления стружек.**
- **Нижний предохранитель можно складывать вручную только в при специальных видах работ, таких как выполнение “потопленных разрезов” и „сложных разрезов”. Приподнимите нижний предохранитель с помощью рычага, пока режущий диск не войдет в обрабатываемый материала, после чего освободите. При всех других видах резанья с помощью этой пилы, нижний предохранитель должен действовать автоматически.**
- **Необходимо убедиться, что нижний предохранитель закрывает режущий диск, перед тем, как отложить пилу на рабочий стол или на пол. Незащищенный движущийся по инерции режущий диск может привести в движение пилу в обратном направлении, и срезать все, что попадет на его пути. Необходимо соблюдать период времени, в течение которого режущий диск окончательно останавливается после выключения предохранителя.**

Дополнительные инструкции по безопасности для всех видов пилы, а также с разделяющим ножом

- **Используйте подходящий разделяющий нож для использования режущего диска. Разделяющий нож должен быть толще режущего диска, но тоньше ширины его зубьев.**
- **Регулируйте разделяющий нож, как это описано в инструкции по эксплуатации. Неправильное место, расположение и выравнивание ведут к неэффективности разделяющего ножа при возникновении обратного удара (отскока).**
- **Используйте разделяющий нож всегда, кроме случаев выполнения так называемых погружающих разрезов. Разделяющий нож необходимо монтировать вновь после выполнения погружающего разреза. Разделяющий нож мешает при выполнении погружающих разрезов и может привести к обратному удару / отскоку.**
- **Для того, чтобы разделяющий нож мог работать, его необходимо ввести в обрабатываемую деталь. При выполнении коротких разрезов разделяющий нож неэффективен в случае необходимости предотвращения обратного удара.**

ДОПОЛНИТЕЛЬНЫЕ ТРЕБОВАНИЯ БЕЗОПАСНОСТИ ПРИ РАБОТЕ С ДИСКОВОЙ ПИЛОЙ

- **Не используйте эту пилу, если разделяющий нож деформирован.** *Даже незначительная деформация может привести к задержке закрытия предохранителя.*
- **Пользуйтесь средствами защиты слуха при длительных работах.** *Интенсивный шум во время работы может повредить слух.*
- **Во время работы пользуйтесь средствами защиты зрения, во избежание ранения разлетающимися частицами.** *Носите защитные очки.*
- **Примите меры предосторожности против вдыхания пыли.** *Некоторые материалы могут содержать токсические компоненты. Используйте пылезащитную маску. Используйте устройство для отвода пыли.*
- Не обрабатывайте материалы, содержащие асбест. Асбест считается канцерогенным веществом.
- Рекомендуется использовать защитные перчатки.
- Перед подключением электроинструмента к сети питания убедитесь в том, что напряжение в сети соответствует указанному на табличке с техническими данными электроинструмента.
- Источник питания с напряжением, превышающим указанное для электроинструмента, может вызвать и серьезное поражение оператора электрическим током, и повреждение электроинструмента.
- При наличии сомнений, не вставляйте штепсель электроинструмента в гнездо розетки.
- Использование источника питания с напряжением ниже обозначенного на табличке электроинструмента, повредит электродвигатель.
- Во избежание возможного перегрева всегда раскручивайте до конца кабель удлинителя с кабельного барабана.
- Когда необходимо использование удлинителя, убедитесь в том, что его сечение соответствует номинальному току используемого электроинструмента, а также в исправности удлинителя.
- Не используйте электроинструмент с поврежденным кабелем. Не прикасайтесь к поврежденному кабелю, выньте штепсель из розетки если шнур повредился во время работы. Поврежденный электрошнур повышает риск удара электрическим током.
- Удерживайте электрический шнур вне рабочей зоны этой машины.
- Перед началом работы уберите с обрабатываемой детали все гвозди, винты и другие тела. При врезании в гвоздь или другой металлический предмет Вы можете повредить диск и электроинструмент, что является предпосылкой несчастного случая.
- Фиксируйте обрабатываемую деталь в тисках или другим подходящим образом.
- Не включайте изделие под нагрузкой. Перед тем, как включить машину убедитесь в том, что диск не соприкасается с обрабатываемой поверхностью.
- Всегда выключайте электроинструмент и выжидайте полной остановки вращения диска перед тем как отдалить машину от обрабатываемой детали.
- После выключения режущий диск не должен останавливаться посредством бокового нажима.

ДОПОЛНИТЕЛЬНЫЕ ТРЕБОВАНИЯ БЕЗОПАСНОСТИ ПРИ РАБОТЕ С ДИСКОВОЙ ПИЛОЙ

- Не прикасайтесь к диску сразу же после приостановления работы с ним. Диск может быть очень горячим и причинить ожог кожи.
- Не следует использовать режущие диски, параметры которых не соответствуют указанным в настоящей инструкции.
- Не использовать абразивные диски (для шлифовки и резки).
- Не используйте изношенные или поврежденные режущие диски. Когда диски изношены или имеют неправильную разводку, разрезаемый зазор узок, ввиду чего сильно увеличивается трение, а также возрастает опасность заклинивания и отскока.
- Не вытягивайте руки под обрабатываемой деталью. Предохранитель не может защитить Вас от режущего диска под обрабатываемой деталью.
- Регулируйте глубину резки в зависимости от толщины материала. С нижней стороны материала должно быть видно не более одного зуба.
- Никогда не держите обрабатываемую деталь в руках или на своих ногах. Хорошее закрепление обрабатываемой детали имеет большое значение для сведения к минимуму опасности подвергания тела нежелательным воздействиям, заклиниванию режущего диска или потере контроля над инструментом.
- Никогда не используйте поврежденные или искривленные фланцы или болт для закрепления режущего диска. Фланцы и болт для скрепления диска специально проектированы для этого инструмента в целях максимально хорошей работы и безопасности.
- В рабочей области не допускается наличие тряпок, ветоши, бечёвки, шнуров и др.
- Электроинструмент следует использовать только по назначению. Любое другое использование, иное чем описанное в настоящей инструкции, будет считаться неправильным применением. Ответственность за любое повреждение или ущерб, нанесенный в результате неправильного использования, будет нести потребитель, а не производитель.
- Для правильной эксплуатации этого электроинструмента необходимо соблюдать правила безопасности, общие инструкции и указания к работе, содержащиеся в настоящей инструкции.
- Все потребители должны ознакомиться с этой инструкцией по эксплуатации и быть информированными о потенциальных рисках, связанных с работой электроинструментом. Дети и физически слабые лица не должны использовать этот электроинструмент. Дети должны быть под постоянным наблюдением, если они находятся вблизи места, в котором работают с электроинструментом. Необходимо принять и превентивные меры безопасности. То же самое касается и выполнения основных правил, касающихся профессионального здоровья и безопасности.
- Производитель не несет ответственности за внесенные потребителем изменения в электроинструмент или за повреждения, вызванные подобными изменениями.
- Электроинструмент не следует использовать под открытым небом в дождливую погоду, во влажной среде (после дождя) или вблизи легко возгораемых жидкостей и газов. Рабочее место должно быть хорошо освещено.

Правила безопасности при работе с лазером

Такие лазеры, обыкновенно, не представляют опасности для глаз. Не смотря на это, если смотреть непосредственно в луч лазера, можно повредить глаза (ослепнуть).

ПРЕДУПРЕЖДЕНИЕ: Не смотрите прямо в лазерный луч. В случае преднамеренного всматривания в лазерный луч возникает опасность повреждения зрения.

- Лазер следует использовать и поддерживать в соответствие с инструкциями изготовителя.
- Никогда не направляйте лазерный луч на человека или предмет, который не является обрабатываемым материалом.
- Лазерный луч не следует направлять на человека. Особое внимание следует уделять тому, чтобы не направлять его в глаза.
- Всегда убеждайтесь в том, что лазерный луч направлен на прочный материал, поверхность которого не отражает – например, дерево или грубые облицовочные плоскости. Блестящая стальная жесть не подходит для лазерной обработки из-за характерной отражающей поверхности, которая может отразить лазерный луч обратно на оператора.
- Не меняйте встроенный лазер на лазер другого вида. Для ремонта следует обращаться только к изготовителю, или в специализированную мастерскую.

ОПИСАНИЕ

1. Диск
2. Выключатель лазерного устройства
3. Внешний фланец
- 3а. Внутренний фланец для диска (непоказан)
4. Болт для затяжки диска
5. Основа
6. Верхний неподвижный предохранитель диска
7. Отверстие для выведения пыли
8. Задняя рукоятка
9. Выключатель
10. Электродвигатель
11. Передняя рукоятка
12. Рычаг подвижного предохранителя
13. Шкала для определения глубины резки
14. Рычаг для регулирования глубины резки
15. Параллельный направляющий проводник
16. Фиксатор регулятора глубины
17. Винт для закрепления параллельного направляющего проводника
18. Прорезь - указатель при резке под 45°
19. Прорезь - указатель при резке под 90°
20. Подвижный предохранитель диска
21. Кнопка блокировки веретена
22. Блокирующая кнопка для защиты от случайного включения
23. Шкала для определения угла резки
24. Фиксатор регулирования угла резки

УКАЗАНИЯ ПО РАБОТЕ

ПЕРЕД НАЧАЛОМ РАБОТЫ

- Проверьте соответствие напряжения электрической сети напряжению, обозначенному на табличке с техническими данными электроинструмента.
- Проверьте положение, в котором находится выключатель. Электроинструмент должен присоединяться и выключаться из сети питания только при выключенном выключателе. Если вы вставите штепсель в розетку, когда выключатель находится во включенном положении, электроинструмент сразу же будет приведен в действие, что является предпосылкой несчастного случая.
- Убедитесь в исправности кабеля питания и штепселя. Если кабель питания поврежден, замена должна быть осуществлена производителем или его специалистом сервисного центра, во избежание опасностей, связанных с заменой. Проверьте состояние режущего диска. Употреблять только хорошо заточенные диски. Потрескавшиеся или деформированные диски следует заменить незамедлительно. Не употреблять режущие диски из высоколегированной быстрорежущей (HSS) стали.
- Проверьте, надежно ли закреплен диск и движется ли он свободно.
- Проверьте, движется ли подвижный предохранитель свободно.
- Прочно ли закреплена деталь или материал, подлежащий обработке.
- Включите инструмент и дайте ему поработать вхолостую в течение 30 секунд. При наличии вибраций замените диска.

ЗАМЕНА РЕЖУЩЕГО ДИСКА

- Нажмите на кнопку для блокировки веретена (21). При нажатой кнопке (21) с помощью ключа, поставляемого вместе с инструментом, вращайте болт (4) против часовой стрелки. Демонтируйте болт (4) и внешний фланец для диска (3).
- Убедитесь в том, что фланцы для диска и болт не загрязнены пылью, смазкой и пр.
- Нажмите на рычаг (12) нижнего подвижного предохранителя, чтобы приподнять нижний предохранитель диска (20) к верхнему предохранителю (6). Одновременно с этим проверьте годность пружины нижнего предохранителя.
- Убедитесь в том, что зубья диска (1) и стрелка на нем указывают такое же направление, как и стрелка, расположенная на верхнем предохранителе (6).
- Вставьте новый диск (1) через прорезь в основание (5) и установите его на оси напротив внутреннего фланца (3a). Убедитесь в том, что опорные поверхности фланцев подравнены по диску (1).
- Затяните внешний фланец (3). Сначала завинтите рукой болт затяжки диска (4). Нажмите на кнопку блокировки веретена (21). При нажатой кнопке (21) сильно затяните болт (4) с помощью ключа, включенного в комплектацию.
- Перед подключением дисковой пилы к сети питания убедитесь в том, что:
 - кнопка блокировки веретена (21) освобождена;
 - диск вращается свободно;
 - нижний предохранитель (20) функционирует правильно.

ПРИМЕЧАНИЕ: Не допускается удлинение ключа, поскольку таким образом вы можете вызвать чрезмерную затяжку болта (4) для затяжки диска.

НАСТРОЙКА ГЛУБИНЫ РЕЗКИ

Освободите рычаг регулирования глубины резки (14). Держите основание (5) одной рукой, а другой рукой поднимите или опустите пилу посредством рукоятки (8). Затяните рычаг регулирования глубины резки (14) на желаемую глубину.

Для того, чтобы обеспечить минимальное откалывание щепок во время работы, убедитесь в том, что за пределы обрабатываемого материала не выдается более одного зуба.

ПРИМЕЧАНИЕ: При резке под наклоном глубина резки, заданная на шкале (13), не совпадает с фактической величиной. В этом случае глубину резки следует измерить с верха зуба до кромки прореза в основании с помощью измерительного инструмента.

НАСТРОЙКА УГЛА РЕЗКИ

Вертикальная резка

Настройте на максимальную глубину резки. Освободите рычаг регулирования угла резки (24), выберите 0° на шкале (23), вновь затяните рычаг регулирования угла резки (24) и проверьте с помощью треугольника составляют ли диск (1) и основание (5) прямой угол.

Резка под наклоном

Наклон основания (5) может регулироваться от 0° до 45°. Расслабьте рычаг для регулирования угла резки (24). Задайте необходимый угол на калиброванной шкале (23). Вновь затяните рычаг (24).

При резке под наклоном ввиду врезания большей площади диска в материал и пониженной стабильности основания, может возникнуть заклинивание диска. Держите крепко пилу и прижимайте основание к обрабатываемому материалу.

При необходимости задать точный угол резки используйте угломер.

УКАЗАТЕЛЬ РЕЗКИ

Прорезь (19) на основании (5) служит указателем резки при вертикально режущем диске, а прорезь (18) - при наклоне режущего диска 45°. Лучше всего предварительно сделать пробный срез на куске ненужного материала.

ПУСК – ОСТАНОВКА

ПРЕДУПРЕЖДЕНИЕ: При включении пилы держите ее крепко обеими руками. Момент вращения электродвигателя может вызвать усилие кручения.

Пуск: нажмите на блокирующую кнопку (22), а после этого нажмите и задержите выключатель (9).

Остановка: отпустите выключатель (9). Пила должна работать на максимальных оборотах перед тем, как врезаться в материала и выключать ее следует только после завершения прореза.

УДАЛЕНИЕ ПЫЛИ

Во время работы используйте систему удаления пыли. Подключите пылесос к патрубку (7), и включите, перед тем, как приступить к работе.

РЕЗКА

Всегда держите заднюю рукоятку (8) одной рукой, а переднюю рукоятку (11) - другой рукой.

ПРЕДУПРЕЖДЕНИЕ: Необходимо иметь в виду, что после выключения пилы необходимо определенное время для полной остановки вращения диска. Не допускайте соприкосновения пилы со своим телом, поскольку предохранитель (20) подвижен и может зацепиться за вашу одежду, а диск (1) может оголиться.

После приостановления прорези, для возобновления резки нажмите на блокирующую кнопку (22), после этого нажмите и задержите выключатель (9) и дайте диску (1) начать вращаться на полных оборотах перед тем, как медленно ввести его в прорезь, чтобы продолжить работу.

При поперечных прорезях волокна древесины обнаруживают тенденция к разрыву и поднятию, чего можно избежать при медленной подаче пилы.

Резка материала больших размеров

Большие плоскости и длинные доски провисают илигибаются, если они не закреплены подходящим образом. В таком случае при резке диск заклинится, вызвав откат и перегрузку электродвигателя.

Для того, чтобы обеспечить безопасную и стабильную резку установите деревянные чурки в качестве дополнительных опор под плоскостью или доской и около линии резки, и около внешней кромки материала. Задайте подходящую глубину резки таким образом, чтобы во время работы резать только материал, а не рабочий стол или верстак. Если материал, который вы будете обрабатывать, не помещается на рабочем столе или верстаке, поставьте чурки на пол и обеспечьте хорошую опору.

Параллельная резка

При резке параллельно кромке детали используется параллельный направляющий проводник (15). Для того, чтобы закрепить параллельный направляющий проводник (15) введите его через гнезда в основании (5) на желаемую ширину и затяните винтом (17). Расстояние от диска до базовой поверхности параллельного направляющего проводника определяется по нанесенной на нем шкале в точке прорези (19) при вертикальной резке или прорези (18) при резке под 45°.

При параллельной резке плоскостей больших размеров параллельный направляющий проводник может не обеспечить необходимой ширины резки. В таком случае закрепите с помощью стяжки или прибейте к листу прямую рейку толщиной 25 мм, которая послужит направляющим проводником и перемещайте пилу, приставляя правую сторону основания к рейке.

ОБСЛУЖИВАНИЕ

ОБЩИЙ ОСМОТР

Проверяйте регулярно все элементы крепления и убедитесь в том, что они крепко затянуты. В том случае, если какой-либо винт ослаблен, незамедлительно затяните его во избежание ситуаций, связанных с риском.

Если кабель питания поврежден, замена должна быть осуществлена производителем или его сервисным специалистом во избежание опасностей, связанных с заменой.

УБОРКА

Регулярно проверяйте, не проникли ли в вентиляционные отверстия электродвигателя пыль или инородные тела. После каждого использования чистите изделие от пыли, стружки и опилок. Используйте мягкую щетку или струю сжатого воздуха, чтобы устранить накопившуюся пыль. Для чистки используйте влажную ткань с небольшим количеством мыла.

ВНИМАНИЕ!

Не используйте для чистки моющие средства или растворители - они могут вызвать повреждение пластмассовых деталей изделия. Проследите, чтобы вода не попала внутрь изделия.

ЗАМЕНА ЗАПАСНЫХ ЧАСТЕЙ

Использование при ремонте запасных частей других производителей может привести к выходу изделия из строя и серьёзным травмам. Только оригинальные запасные части, установленные в авторизованном сервисном центре, гарантируют надёжную и безопасную работу изделия.

ТЕХНИЧЕСКИЕ ХАРАКТЕРИСТИКИ ДЕКЛАРАЦИИ СООТВЕТСТВИЯ

ТЕХНИЧЕСКИЕ ХАРАКТЕРИСТИКИ

Модель	CP190PL
Напряжение питания	220-240 В~ 50 Гц
Мощность	1400 Вт
Частота вращения без нагрузки	5000 об./мин.
Макс. глубина пропила	66 мм
Размер диска	190x30 мм
Масса	4,5 кг
Срок службы	5 лет

Комплектация:

Параллельная направляющая, ключ шестигранный, диск ТСТ, патрубок пылеотвода.

Производитель оставляет за собой право изменять технические параметры изделия и его комплектацию без предварительного уведомления.

ДЕКЛАРАЦИИ СООТВЕТСТВИЯ

STATUS ITALIA S.R.L. заявляет, что изделие торговой марки STATUS дисковая пила CP190PL изготовлена в соответствии со следующими директивами ЕС: 2014/30/EU, 2006/42/EC Annex I.

Также соответствует нижеперечисленным стандартам: EN55014-1:2006+A1+A2, EN55014-2:2015, EN61000-3-2:2014, EN61000-3-3:2013, EN60745-1:2009+A11, EN60745-2-5:2010, AfPS GS 2014:01.

Техническа документация находится у производителя: STATUS ITALIA S.R.L., via Aldo Moro, 14/A, 36060 - Pianezze (VI), ITALY



Карон Джиасинто
Директор
STATUS Italia S.r.l.

Изделия соответствуют требованиям следующих технических регламентов Таможенного союза: ТР ТС 004/2011, ТР ТС 010/2011, ТР ТС 020/2011.

Сведения о сертификате находятся на сайте www.status-tools.com

Изготовитель: СТАТУС ИТАЛИЯ С.р.л., Виа Альдо Моро, 14/А, 36060 - Пьянецце, Италия.

Сделано в КНР.

Представительство в Российской Федерации:

ООО «ИНСТАТУС» 119590, г. Москва, ул. Мосфильмовская, д. 52, к. 1.

