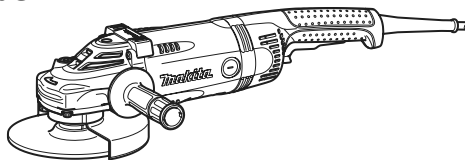
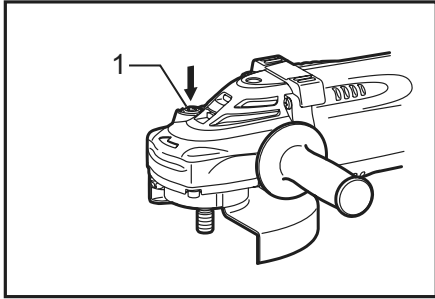




GB	Angle Grinder	INSTRUCTION MANUAL
S	Vinkelslipmaskin	BRUKSANVISNING
N	Vinkelsliper	BRUKSANVISNING
FIN	Kulmahiomakone	KÄYTTÖOHJE
LV	Leņķa slīpmašīna	LIETOŠANAS INSTRUKCIJA
LT	Kampinis šlifuoklis	NAUDOJIMO INSTRUKCIJA
EE	Nurklihvkäi	KASUTUSJUHEND
RUS	Угловая шлифмашина	РУКОВОДСТВО ПО ЭКСПЛУАТАЦИИ

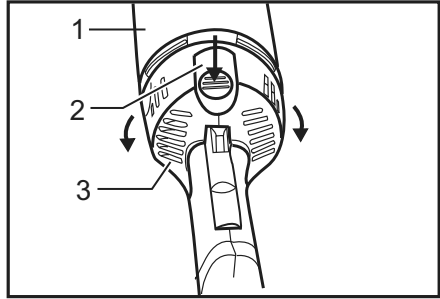
GA7030, GA7030F
GA7030S, GA7030SF
GA7040S, GA7040SF
GA9030, GA9030F
GA9030S, GA9030SF
GA9040S, GA9040SF





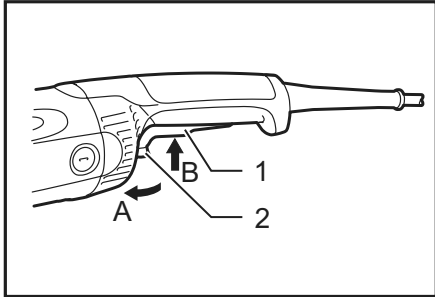
1

006733



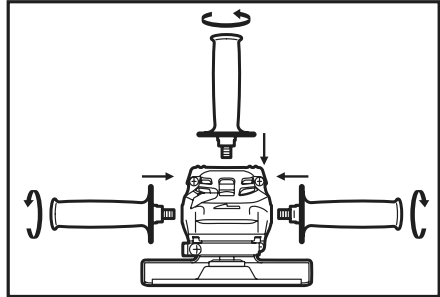
2

007349



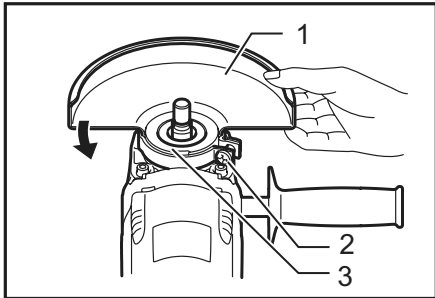
3

006734



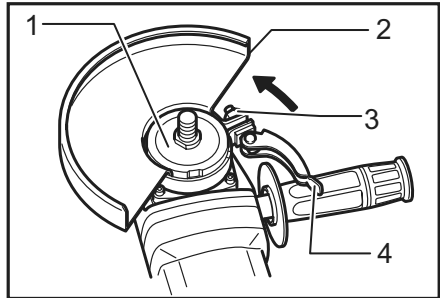
4

006735



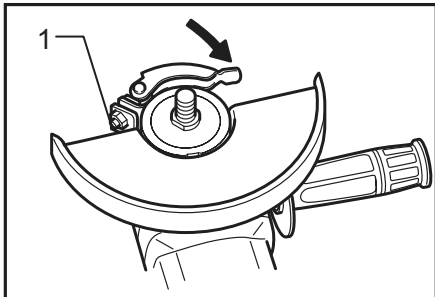
5

006736



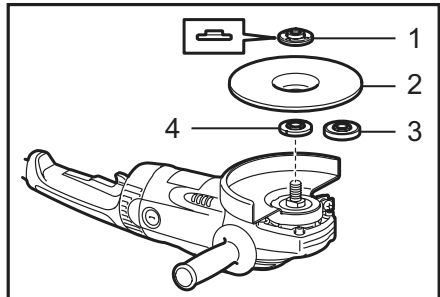
6

007049



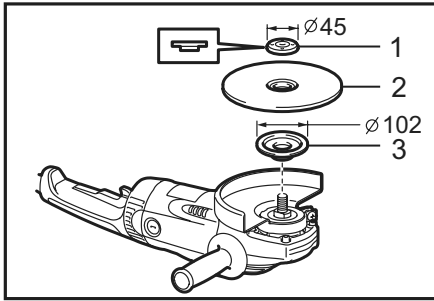
7

007050



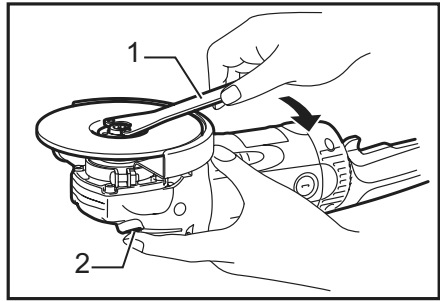
8

006746



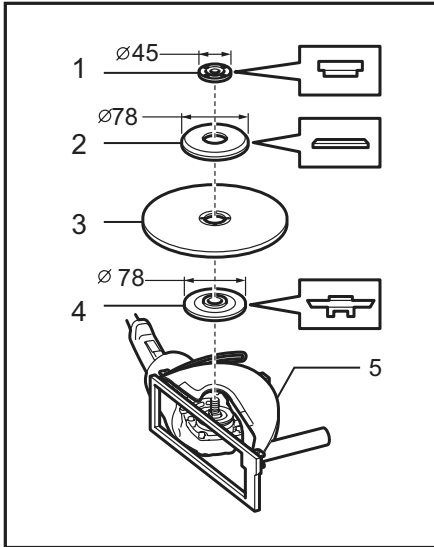
9

006747



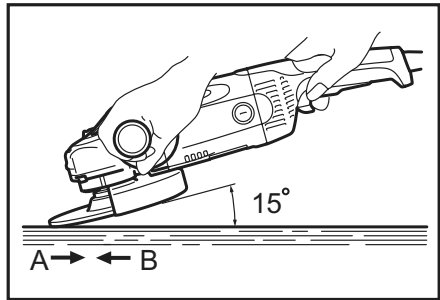
10

006738



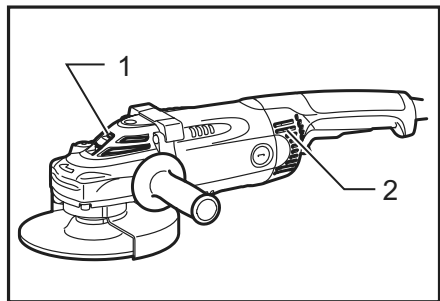
11

006748



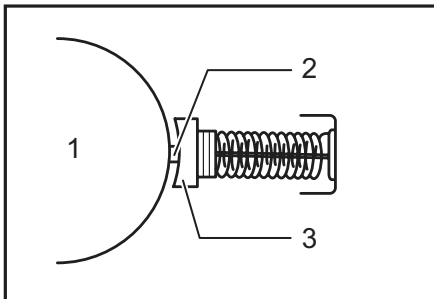
12

006741



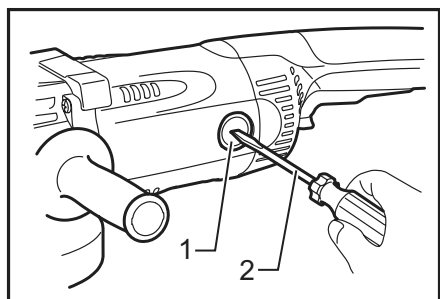
13

006744



14

001146



15

006745

ENGLISH

Explanation of general view

1-1. Shaft lock	6-4. Lever	11-2. Outer flange 78
2-1. Motor housing	7-1. Nut	11-3. Cut-off wheel
2-2. Lock button	8-1. Lock nut	11-4. Inner flange 78
2-3. Handle	8-2. Depressed center wheel	11-5. Dust collecting wheel guard
3-1. Switch trigger	8-3. Super flange	13-1. Exhaust vent
3-2. Lock lever	8-4. Inner flange	13-2. Inhalation vent
5-1. Wheel guard	9-1. Lock nut	14-1. Commutator
5-2. Screw	9-2. Depressed center wheel	14-2. Insulating tip
5-3. Bearing box	9-3. Inner flange	14-3. Carbon brush
6-1. Bearing box	10-1. Lock nut wrench	15-1. Brush holder cap
6-2. Wheel guard	10-2. Shaft lock	15-2. Screwdriver
6-3. Nut	11-1. Lock nut	

SPECIFICATIONS

Model	GA7030/GA7030F GA7030S/GA7030SF	GA7040S/GA7040SF	GA9030/GA9030F GA9030S/GA9030SF	GA9040S/GA9040SF
Depressed center wheel diameter	180 mm		230 mm	
Spindle thread	M14		M14	
No load speed (min ⁻¹)	8,500		6,600	
Overall length	511 mm		511 mm	
Net weight	5.1 kg	5.5 kg	5.1 kg	5.5 kg
Safety class	□/II			

- Due to our continuing programme of research and development, the specifications herein are subject to change without notice.
- Note: Specifications may differ from country to country.

END2002-2

ENF002-1

Symbols

The following show the symbols used for the equipment. Be sure that you understand their meaning before use.



- Read instruction manual.



- DOUBLE INSULATION



- Wear safety glasses.



- Only for EU countries

Do not dispose of electric equipment together with household waste material! In observance of European Directive 2002/96/EC on waste electric and electronic equipment and its implementation in accordance with national law, electric equipment that have reached the end of their life must be collected separately and returned to an environmentally compatible recycling facility.

ENE048-1

Intended use

The tool is intended for grinding, sanding and cutting of metal and stone materials without the use of water.

Power supply

The tool should be connected only to a power supply of the same voltage as indicated on the nameplate, and can only be operated on single-phase AC supply. They are double-insulated in accordance with European Standard and can, therefore, also be used from sockets without earth wire.

ENF100-1

For public low-voltage distribution systems of between 220 V and 250 V.

Switching operations of electric apparatus cause voltage fluctuations. The operation of this device under unfavorable mains conditions can have adverse effects to the operation of other equipment. With a mains impedance equal or less than 0.23 Ohms it can be presumed that there will be no negative effects. The mains socket used for this device must be protected with a fuse or protective circuit breaker having slow tripping characteristics.

For Model

GA7030, GA7030F, GA7030S, GA7030SF, GA9040S, GA9040

ENG021-1

For European countries only

Noise and Vibration

The typical A-weighted noise levels are sound pressure level: 89 dB (A)
sound power level: 102 dB (A)

Wear ear protection.

The typical weighted root mean square acceleration value is not more than 2.5 m/s².

These values have been obtained according to EN50144.

For Model GA9030,GA9030F,GA9030S,GA9030SF

ENG021-1

For European countries only

Noise and Vibration

The typical A-weighted noise levels are

sound pressure level: 91 dB (A)

sound power level: 104 dB (A)

Wear ear protection.

The typical weighted root mean square acceleration value is not more than 2.5 m/s².

These values have been obtained according to EN50144.

For Model GA7040S,GA7040SF

ENG021-1

For European countries only

Noise and Vibration

The typical A-weighted noise levels are

sound pressure level: 90 dB (A)

sound power level: 103 dB (A)

Wear ear protection.

The typical weighted root mean square acceleration value is not more than 2.5 m/s².

These values have been obtained according to EN50144.

ENH001-6

EC-DECLARATION OF CONFORMITY

We declare under our sole responsibility that this product is in compliance with the following standards of standardized documents;

EN50144, EN55014, EN61000 in accordance with Council Directives, 89/336/EEC, 98/37/EC.

Yasuhiko Kanzaki **CE2006**



000087

Director

MAKITA INTERNATIONAL EUROPE LTD.

Michigan Drive, Tongwell, Milton Keynes, Bucks MK15 8JD, ENGLAND

Responsible manufacturer:

Makita Corporation Anjo Aichi Japan

ENB031-6

ADDITIONAL SAFETY RULES

1. Always use eye and ear protection. Other personal protective equipment such as dust mask, gloves, helmet and apron should be worn.
2. Always be sure that the tool is switched off and unplugged before carrying out any work on the tool.
3. Keep guards in place.
4. Use only wheels with correct size and wheels having a maximum operating speed at least as high as the highest No Load Speed marked on the tool's nameplate. When using depressed center wheels, be sure to use only fiberglass-reinforced wheels.
5. Check the wheel carefully for cracks or damage before operation. Replace cracked or damaged wheel immediately.
6. Observe the instructions of the manufacturer for correct mounting and use of wheels. Handle and store wheels with care.
7. Do not use separate reducing bushings or adaptors to adapt large hole abrasive wheels.
8. Use only flanges specified for this tool.
9. Do not damage the spindle, the flange (especially the installing surface) or the lock nut. Damage to these parts could result in wheel breakage.
10. For tools intended to be fitted with threaded hole wheel, ensure that the thread in the wheel is long enough to accept the spindle length.
11. Before using the tool on an actual workpiece, test run the tool at the highest no load speed for at least 30 seconds in a safe position. Stop immediately if there is any vibration or wobbling that could indicate poor installation or a poorly balanced wheel. Check the tool to determine the cause.
12. Check that the workpiece is properly supported.
13. Hold the tool firmly.
14. Keep hands away from rotating parts.
15. Make sure the wheel is not contacting the workpiece before the switch is turned on.
16. Use the specified surface of the wheel to perform the grinding.
17. Do not use cutting off wheel for side grinding.
18. Watch out for flying sparks. Hold the tool so that sparks fly away from you and other persons or flammable materials.
19. Pay attention that the wheel continues to rotate after the tool is switched off.
20. Do not touch the workpiece immediately after operation; it may be extremely hot and could burn your skin.
21. Position the tool so that the power cord always stays behind the machine during operation.
22. If working place is extremely hot and humid, or badly polluted by conductive dust, use a short-circuit breaker (30 mA) to assure operator safety.
23. Do not use the tool on any materials containing asbestos.
24. Do not use water or grinding lubricant.
25. Ensure that ventilation openings are kept clear when working in dusty conditions. If it should become necessary to clear dust, first

disconnect the tool from the mains supply (use non metallic objects) and avoid damaging internal parts.

26. **When use cut-off wheel, always work with the dust collecting wheel guard required by domestic regulation.**
27. **Cutting discs must not be subjected to any lateral pressure.**

SAVE THESE INSTRUCTIONS.

FUNCTIONAL DESCRIPTION

CAUTION:

- Always be sure that the tool is switched off and unplugged before adjusting or checking function on the tool.

Shaft lock

Fig.1

CAUTION:

- Never actuate the shaft lock when the spindle is moving. The tool may be damaged.

Press the shaft lock to prevent spindle rotation when installing or removing accessories.

Switch handle mounting positions

Fig.2

The switch handle can be rotated to either 90° left or right to fit your work needs. First, unplug the tool. Press the lock button and rotate the switch handle to left or right fully. The switch handle will be locked in that position.

CAUTION:

- Always make sure that the switch handle is locked in the desired position before operation.

Switch action

Fig.3

CAUTION:

- Before plugging in the tool, always check to see that the switch trigger actuates properly and returns to the "OFF" position when released.

For tool with the lock-on switch

To start the tool, simply pull the switch trigger (in the B direction). Release the switch trigger to stop. For continuous operation, pull the switch trigger (in the B direction) and then push in the lock lever (in the A direction). To stop the tool from the locked position, pull the switch trigger fully (in the B direction), then release it.

For tool with the lock-off switch

To prevent the switch trigger from accidentally pulled, a lock lever is provided.

To start the tool, push in the lock lever (in the A direction) and then pull the switch trigger (in the B direction). Release the switch trigger to stop.

For tool with the lock on and lock-off switch

To prevent the switch trigger from accidentally pulled, a lock lever is provided.

To start the tool, push in the lock lever (in the A direction) and then pull the switch trigger (in the B direction). Release the switch trigger to stop.

For continuous operation, push in the lock lever (in the A direction), pull the switch trigger (in the B direction) and then push the lock lever (in the A direction) further in.

To stop the tool from the locked position, pull the switch trigger fully (in the B direction), then release it.

NOTE:

Models GA7030S, GA9030S, GA7040S, GA9040S, GA7030SF, GA9030SF, GA7040SF and GA9040SF begin to run slowly when they are turned on. This soft start feature assures smoother operation.

ASSEMBLY

CAUTION:

- Always be sure that the tool is switched off and unplugged before carrying out any work on the tool.

Installing side grip (handle)

Fig.4

CAUTION:

- Always be sure that the side grip is installed securely before operation.

Screw the side grip securely on the position of the tool as shown in the figure.

Installing or removing wheel guard

Fig.5

CAUTION:

- The wheel guard must be fitted on the tool so that the closed side of the guard always points toward the operator.

Mount the wheel guard with the protrusion on the wheel guard band aligned with the notch on the bearing box. Then rotate the wheel guard around 180 degrees counterclockwise. Be sure to tighten the screw securely. To remove wheel guard, follow the installation procedure in reverse.

Installing or removing wheel guard

(accessory)

Fig.6

Fig.7

CAUTION:

- The wheel guard must be fitted on the tool so that the closed side of the guard always points toward the operator.

Loosen the lever on the wheel guard. Mount the wheel guard with the protrusion on the wheel guard band aligned with the notch on the bearing box. Then rotate the wheel guard around to the position shown in the

figure. Tighten the lever to fasten the wheel guard. If the lever is too tight or too loose to fasten the wheel guard, loosen or tighten the nut to adjust the tightening of the wheel guard band.

To remove wheel guard, follow the installation procedure in reverse.

Installing or removing depressed center grinding wheel/Multi-disc (accessory)

Fig.8

Mount the inner flange onto the spindle. Fit the wheel/disc on the inner flange and screw the lock nut onto the spindle.

Super flange

Models GA7030F, GA7030SF, GA7040F, GA7040SF, GA9030F, 9030SF, GA9040F and GA9040SF are standard-equipped with a super flange. Only 1/3 of efforts needed to undo lock nut, compared with conventional type.

For Australia and New Zealand

Fig.9

Mount the inner flange onto the spindle. Fit the wheel/disc on the inner flange and screw the lock nut with its protrusion facing downward (facing toward the wheel).

To tighten the lock nut, press the shaft lock firmly so that the spindle cannot revolve, then use the lock nut wrench and securely tighten clockwise.

Fig.10

To remove the wheel, follow the installation procedure in reverse.

Installing or removing cut-off wheel

For Australia and New Zealand

Fig.11

Mount the inner flange onto the spindle. Fit the cut-off wheel on over the inner flange.

Mount the outer flange on the wheel and screw the lock nut with its protrusion facing downward (facing toward the wheel).

To tighten the lock nut, press the shaft lock firmly so that the spindle cannot revolve, then use the lock nut wrench and securely tighten clockwise.

To remove the wheel, follow the installation procedure in reverse.

OPERATION

⚠WARNING:

- It should never be necessary to force the tool. The weight of the tool applies adequate pressure. Forcing and excessive pressure could cause dangerous wheel breakage.
- ALWAYS replace wheel if tool is dropped while grinding.
- NEVER bang or hit grinding disc or wheel onto work.

- Avoid bouncing and snagging the wheel, especially when working corners, sharp edges etc. This can cause loss of control and kickback.
- NEVER use tool with wood cutting blades and other sawblades. Such blades when used on a grinder frequently kick and cause loss of control leading to personal injury.

⚠CAUTION:

- Never switch on the tool when it is in contact with the workpiece, it may cause an injury to operator.
- Always wear safety goggles or a face shield during operation.
- After operation, always switch off the tool and wait until the wheel has come to a complete stop before putting the tool down.

Grinding and sanding operation

ALWAYS hold the tool firmly with one hand on rear handle and the other on the side handle. Turn the tool on and then apply the wheel or disc to the workpiece.

In general, keep the edge of the wheel or disc at an angle of about 15 degrees to the workpiece surface.

During the break-in period with a new wheel, do not work the grinder in the B direction or it will cut into the workpiece. Once the edge of the wheel has been rounded off by use, the wheel may be worked in both A and B direction.

Fig.12

MAINTENANCE

⚠CAUTION:

- Always be sure that the tool is switched off and unplugged before attempting to perform inspection or maintenance.

The tool and its air vents have to be kept clean. Regularly clean the tool's air vents or whenever the vents start to become obstructed.

Fig.13

Replacing carbon brushes

Fig.14

When the resin insulating tip inside the carbon brush is exposed to contact the commutator, it will automatically shut off the motor. When this occurs, both carbon brushes should be replaced. Keep the carbon brushes clean and free to slip in the holders. Both carbon brushes should be replaced at the same time. Use only identical carbon brushes.

Use a screwdriver to remove the brush holder caps. Take out the worn carbon brushes, insert the new ones and secure the brush holder caps.

Fig.15

To maintain product SAFETY and RELIABILITY, repairs, any other maintenance or adjustment should be performed by Makita Authorized Service Centers, always using Makita replacement parts.

ACCESSORIES

CAUTION:

- These accessories or attachments are recommended for use with your Makita tool specified in this manual. The use of any other accessories or attachments might present a risk of injury to persons. Only use accessory or attachment for its stated purpose.

If you need any assistance for more details regarding these accessories, ask your local Makita Service Center.

- Wheel guard (Wheel cover)
- Inner flange
- Depressed center wheels
- Lock nut (For depressed center wheel)
- Rubber pad
- Abrasive discs
- Lock nut (For abrasive disc)
- Lock nut wrench
- Cut-off wheels
- Inner flange (For cut-off wheel)
- Outer flange (For cut-off wheel)
- Wire cup brush
- Side grip
- Dust collecting wheel guard

SVENSKA

Förklaring till översiktsskilderna

1-1. Spindellås	6-4. Reglage	11-2. Yttre fläns 78
2-1. Motorhus	7-1. Mutter	11-3. Kapskiva
2-2. Låsknapp	8-1. Låsmutter	11-4. Innerfläns 78
2-3. Handtag	8-2. Rondell med försänkt centrumhål	11-5. Dammuppsamlande sprängskydd
3-1. Avtryckare	8-3. Superfläns	13-1. Utblås
3-2. Låsknapp	8-4. Innerfläns	13-2. Luftintag
5-1. Sprängskydd för sliprondell	9-1. Låsmutter	14-1. Kommutator
5-2. Skruv	9-2. Rondell med försänkt centrumhål	14-2. Hartsspets
5-3. Lagerhus	9-3. Innerfläns	14-3. Kolborste
6-1. Lagerhus	10-1. Tappnyckel för låsmutter	15-1. Kolhållarlock
6-2. Sprängskydd för sliprondell	10-2. Spindellås	15-2. Skruvmejsel
6-3. Mutter	11-1. Låsmutter	

SPECIFIKATIONER

Modell	GA7030/GA7030F GA7030S/GA7030SF	GA7040S/GA7040SF	GA9030/GA9030F GA9030S/GA9030SF	GA9040S/GA9040SF
Diameter på rondell med försänkt centrumhål	180 mm		230 mm	
Spindelgånga	M14		M14	
Obelastat varvtal (min ⁻¹)	8 500		6 600	
Längd	511 mm		511 mm	
Vikt	5,1 kg	5,5 kg	5,1 kg	5,5 kg
Säkerhetsklass	II / II			

- På grund av vårt pågående program för forskning och utveckling kan dessa specifikationer ändras utan föregående meddelande.
- Obs! Specifikationerna kan variera mellan olika länder.

END202-2

ENF002-1

Symboler

Följande visar symbolerna som används för utrustningen. Se till att du förstår innebörden innan du använder bormaskinen.



- Läs bruksanvisningen.



- DUBBEL ISOLERING



- Använd skyddsglasögon.



- Gäller endast inom EU
Elektrisk utrustning får inte kastas i hushållsavfallet!
Enligt direktivet 2002/96/EC som avser deponering av elektrisk och elektronisk utrustning samt tillhörande föreskrifter i det aktuella landets lagstiftning ska uttjänt elektrisk utrustning sopsorteras och lämnas till miljöstation för återvinning.

ENE048-1

Användningsområde

Maskinen är avsedd för slipning och kapning i trä och stenmaterial utan användning av vatten.

Strömförsörjning

Maskinen får endast anslutas till nät med spänning som anges på typlåten och med enfasig växelström. Den är dubbelisolerad i enlighet med europeisk standard och får därför också anslutas till ojordade vägguttag.

ENF100-1

Avsedd för elnät med 220 - 250 V.

Att starta och stänga av elektriska apparater medför spänningsfluktuationer. Om denna maskin används under ogynnsamma förhållanden kan funktioner hos annan utrustning påverkas negativt. I elnät med ett motstånd på högst 0,23 Ohm är det rimligt att anta att negativa effekter inte förekommer. Nätuttaget för den här enheten måste vara försedd med trög säkring eller skyddsbrutare.

För modell

GA7030, GA7030F, GA7030S, GA7030SF, GA9040S, GA9040

ENG021-1

Gäller endast Europa Buller och vibrationer

Typiska A-vägd bullernivåer är
Ljudtrycksnivå: 89 dB (A)
Ljudeffektnivå: 102 dB (A)

Använd hörselskydd.

Det typiska kvadratiska medelvärdet för accelerationen överstiger inte 2,5 m/s².

Värdena är uppmätta enligt EN50144.

För modell GA9030,GA9030F,GA9030S,GA9030SF

ENG021-1

Gäller endast Europa

Buller och vibrationer

Typiska A-vägd bullernivåer är

Ljudtrycksnivå: 91 dB (A)

Ljudeffektnivå: 104 dB (A)

Använd hörselskydd.

Det typiska kvadratiska medelvärdet för accelerationen överstiger inte 2,5 m/s².

Värdena är uppmätta enligt EN50144.

För modell GA7040S,GA7040SF

ENG021-1

Gäller endast Europa

Buller och vibrationer

Typiska A-vägd bullernivåer är

Ljudtrycksnivå: 90 dB (A)

Ljudeffektnivå: 103 dB (A)

Använd hörselskydd.

Det typiska kvadratiska medelvärdet för accelerationen överstiger inte 2,5 m/s².

Värdena är uppmätta enligt EN50144.

ENH001-6

EG-DEKLARATION OM ÖVERENSSTÄMMELSE

Vi försäkrar under eget ansvar att denna produkt följer de standarder som anges i följande standardiserade dokument:

EN50144, EN55014, EN61000 i enlighet med Rådets direktiv 89/336/EEC, 98/37/EC.

Yasuhiko Kanzaki **CE2006**



000087

Direktör

MAKITA INTERNATIONAL EUROPE LTD.

Michigan Drive, Tongwell, Milton Keynes, Bucks MK15 8JD, ENGLAND

Ansvarig tillverkare:

Makita Corporation Anjo Aichi Japan

ENB031-6

YTTERLIGARE SÄKERHETSANVISNINGAR

1. Använd alltid skyddsglasögon och hörselskydd. Annan utrustning för personlig säkerhet som t ex ansiktsmask, handskar, hjälm och skyddsförkläde ska användas.
2. Se alltid till att maskinen är avstängd och nätsladden urdragen innan maskinen repareras.
3. Se till att skydden sitter på plats.
4. Använd endast rondeller med rätt storlek och vars maximala märkhastighet är minst lika hög som det högsta värdet på No Load Speed (Obelastat varvtal) som finns angivet på

maskinens märkplåt. När rondeller med försänkt centrumhål används ska du kontrollera att rondellen är av glasfiberförstärkt typ.

5. Kontrollera rondellen noga så att du inte använder en rondell med sprickor eller andra skador. Byt ut en skadad rondell omedelbart.
6. Följ tillverkarens anvisningar för korrekt montering och användning av rondeller. Hantera rondellerna varsamt och förvara dem på säker plats.
7. Använd inte separata reducerhylsor eller adapter för att kunna använda sliprondeller med större hål.
8. Använd endast flänsar som är avsedda för den här maskinen.
9. Skada inte spindeln, flänsen (var särskilt varsam med monteringsytan) eller låsmuttern. Skador på någon av dessa delar kan medföra att rondellen splittras.
10. Kontrollera att gänglängden i rondellen är tillräckligt lång för spindellängden om rondellen är avsedd att gängas fast.
11. Innan maskinen används ska den köras på högsta hastigheten utan belastning under minst 30 sekunder på säker plats. Stanna maskinen omedelbart om rondellen vibrerar eller skakar. Det kan innebära att den är felmonterad eller dåligt balanserad. Undersök orsaken.
12. Kontrollera att arbetsstycket är ordentligt fastsatt.
13. Håll maskinen stadigt.
14. Håll händerna på avstånd från roterande delar.
15. Se till att rondellen inte är i kontakt med arbetsstycket när du trycker på avtryckaren.
16. Slipa endast med den del av rondellen som är avsedd för slipning.
17. Använd inte en kapskiva till kantslipning.
18. Se upp för gnistsprut. Håll maskinen på ett sådant sätt att gnistorna flyger i riktning bort från dig, övriga personer eller brännbart material.
19. Tänk på att rondellen fortsätter att rotera efter att maskinen stängts av.
20. Rör inte vid arbetsstycket omedelbart efter arbetet. Det kan vara extremt varmt och orsaka brännskador.
21. Placera maskinen så att strömkabeln alltid är bakom maskinen när den används.
22. Om arbetsplatsen är extremt varm och fuktig, eller har hög koncentration av elektriskt ledande damm, ska jordfelsbrytare (30 mA) användas för användarens säkerhet.
23. Använd inte maskinen för material som innehåller asbest.
24. Använd aldrig vatten eller slipvätska.
25. Kontrollera att ventilationsöppningarna inte

sätts igen när maskinen används i dammig miljö. Dra ur maskinens nätsladd om det är nödvändigt att ta bort damm. Använd inte metallföremål och undvik att skada inre delar.

26. Använd alltid föreskrivet dammuppsamlade sprängskydd när du arbetar med kapskiva.
27. Kapskivor får inte utsättas för sidokrafter.

SPARA DESSA ANVISNINGAR.

FUNKTIONSBESKRIVNING

⚠FÖRSIKTIGT!

- Se alltid till att maskinen är avstängd och nätsladden urdragen innan du justerar eller funktionskontrollerar maskinen.

Spindellås

Fig.1

⚠FÖRSIKTIGT!

- Aktivera aldrig spindellåset medan spindeln rör sig. Maskinen kan skadas.

Tryck ned spindellåset för att förhindra att spindeln roterar när du monterar eller tar bort tillbehör.

Byta plats på handtaget

Fig.2

Pistolhandtaget kan vridas 90° åt vänster eller höger beroende på vad som är lämpligt. Koppla först bort maskinen från elnätet. Tryck sedan på låsknappen och vrid pistolhandtaget så långt det går åt vänster eller höger. Pistolhandtaget spärras i det nya läget.

⚠FÖRSIKTIGT!

- Kontrollera alltid att pistolhandtaget är spärrat i önskat läge innan du startar maskinen.

Avtryckarens funktion

Fig.3

⚠FÖRSIKTIGT!

- Innan du ansluter maskinen till elnätet ska du kontrollera att avtryckaren fungerar och återgår till läget "OFF" när du släpper den.

Maskin med låsknapp för kontinuerlig funktion

Starta maskinen genom att trycka in avtryckaren (i riktning B). Släpp avtryckaren för att stoppa maskinen. För kontinuerlig funktion trycker du först in avtryckaren (i riktning B) och sedan säkerhetsspärren (i riktning A). Tryck in avtryckaren helt (i riktning B) och släpp den sedan för att avbryta det kontinuerliga läget.

Maskin med säkerhetsspärr

En säkerhetsspärr förhindrar oavsiktlig aktivering av avtryckaren.

Tryck in säkerhetsspärren (i riktning A) och tryck sedan in avtryckaren (i riktning B) för att starta maskinen. Släpp avtryckaren för att stoppa maskinen.

Maskin med knapp för kontinuerlig funktion och säkerhetsspärr

En säkerhetsspärr förhindrar oavsiktlig aktivering av avtryckaren.

Tryck in säkerhetsspärren (i riktning A) och tryck sedan in avtryckaren (i riktning B) för att starta maskinen. Släpp avtryckaren för att stoppa maskinen.

Tryck in säkerhetsspärren (i riktning A), tryck in avtryckaren (i riktning B) och tryck därefter in säkerhetsspärren mer (i riktning A) för kontinuerlig användning.

Tryck in avtryckare helt (i riktning B) och släpp den sedan för att stoppa maskinen.

OBS!

Modellerna GA7030S, GA9030S, GA7040S, GA9040S, GA7030SF, GA9030SF, GA7040SF och GA9040SF startar i låg hastighet. Denna mjukstartsfunktion ger en jämnare gång.

MONTERING

⚠FÖRSIKTIGT!

- Se alltid till att maskinen är avstängd och nätsladden urdragen innan maskinen repareras.

Montera sidohandtaget

Fig.4

⚠FÖRSIKTIGT!

- Kontrollera alltid att sidohandtaget sitter fast ordentligt innan arbetet påbörjas.

Skruva fast sidohandtaget ordentligt på rätt plats på maskinen enligt figuren.

Montera eller demontera sprängskyddet

Fig.5

⚠FÖRSIKTIGT!

- Sprängskyddet måste monteras på maskinen så att den slutna sidan alltid är vänd mot användaren.

Montera sprängskyddet så att åsen på sprängskyddets band passar in i urtaget på lagerhuset. Vrid sedan sprängskyddet 180 grader moturs. Dra åt skruven ordentligt.

Gör på omvänt sätt för att ta bort sprängskyddet.

Montera och demontera sprängskydd (tillbehör)

Fig.6

Fig.7

⚠FÖRSIKTIGT!

- Sprängskyddet måste monteras på maskinen så att den slutna sidan alltid är vänd mot användaren.

Lossa spaken på sprängskyddet. Montera sprängskyddet så att upphöjningen på sprängskyddets band passar in i spåret på lagerhuset. Vrid sedan sprängskyddet till det läge som visas i figuren. Dra åt sprängskyddet med spaken. Om spaken sitter för löst eller för hårt för att kunna fästa sprängskyddet lossar eller drar du åt muttern på sprängskyddets spännband. Gör på omvänt sätt för att ta bort sprängskyddet.

Montera eller demontera rondell med försänkt centrumhål/multirondell (tillbehör)

Fig.8

Sätt fast innerflänsen på spindeln. Passa in rondellen/skivan på innerflänsen och skruva på låsmuttern på spindeln.

Superfläns

För modellerna GA7030F, GA7030SF, GA7040F, GA7040SF, GA9030F, 9030SF, GA9040F och GA9040SF ingår en superfläns i standardutrustningen. Endast 1/3 av kraften som behövs för en konventionell typ är nödvändig för att lossa muttern.

För Australien och Nya Zeeland

Fig.9

Sätt fast innerflänsen på spindeln. Passa in rondellen/skivan på innerflänsen och skruva på låsmuttern så att åsen pekar nedåt i riktning mot rondellen.

Tryck in spindellåset ordentligt för att dra fast låsmuttern så att spindeln inte kan rotera. Använd sedan tappnyckeln för att dra fast ytterligare.

Fig.10

Gör på omvänt sätt för att ta bort rondellen.

Montera eller demontera kapskiva

För Australien och Nya Zeeland

Fig.11

Sätt fast innerflänsen på spindeln. Passa in kapskivan på innerflänsen.

Montera ytterflänsen på skivan och skruva på låsmuttern så att åsen är vänd inåt (i riktning mot skivan).

Tryck in spindellåset ordentligt för att dra fast låsmuttern så att spindeln inte kan rotera. Använd sedan tappnyckeln för att dra fast ytterligare.

Gör på omvänt sätt för att ta bort rondellen.

ANVÄNDNING

⚠ VARNING!

- Tänk på att aldrig tvinga maskinen. Maskinens vikt ska utgöra ett tillräckligt tryck. Tvång eller överdrivet tryck kan resultera i farliga rondellbrott.
- Byt ALLTID ut rondellen om den har tappats under slipning.
- Slå ALDRIG med rondellen eller skivan på arbetsstycket.

- Undvik att studsas eller hackas med rondeller, i synnerhet i närheten av hörn, skarpa kanter osv. Det är lätt att i dessa situationer förlora kontrollen över maskinen så att den kastas bakåt.
- Använd ALDRIG maskinen med sågklingor av någon typ. Sådana klingor ger ofta bakåtkast i slipmaskiner och detta kan skada användaren.

⚠ FÖRSIKTIGT!

- Starta aldrig maskinen när denna är i kontakt med arbetsstycket. Det kan orsaka personskador.
- Använd alltid skyddsglasögon eller visir under arbetet.
- När du är klar med arbetet ska du vänta tills rondellen stannat helt innan du lägger maskinen åt sidan.

Slipning av trä och metall

Håll ALLTID maskinen i ett fast grepp med ena handen på bakre handtaget och den andra på sidohandtaget. Starta maskinen och börja därefter att slipa arbetsstycket.

I allmänhet är det lämpligt att hålla kanten på skivan/rondellen i ungefär 15 graders vinkel mot arbetsstycket.

Under inkörning av en ny skiva/rondell ska slipmaskinen inte föras i riktning B eftersom den då kan köra fast i arbetsstycket. När kanten på skivan/rondellen har rundats av kan den användas i båda riktningarna (A och B).

Fig.12

UNDERHÅLL

⚠ FÖRSIKTIGT!

- Se alltid till att maskinen är avstängd och nätkabeln urdragen innan inspektion eller underhåll utförs.

Maskinen och luftintagen måste vara rena. Rengör maskinens ventilationshål regelbundet eller så snart ventilationen påverkas negativt.

Fig.13

Byte av kolborstar

Fig.14

När hartsspetsen inuti kolborsten kommer i kontakt med kommutatorn stängs motorn automatiskt av. När detta sker ska båda kolborstarna bytas ut. Håll kolborstarna rena så att de lätt kan glida in i hållarna. Båda kolborstarna ska bytas ut samtidigt. Använd endast identiska kolborstar.

Använd en skruvmejsel för att ta bort locken till kolborstarna. Ta ur de utslitna kolborstarna, montera nya och montera locken.

Fig.15

För att upprätthålla produktens SÄKERHET och TILLFÖRLITLIGHET bör allt underhålls- och justeringsarbete utföras av ett auktoriserat Makita servicecenter och med reservdelar från Makita.

TILLBEHÖR

FÖRSIKTIGT!

- Dessa tillbehör och tillsatser rekommenderas för användning tillsammans med den Makita-maskin som denna bruksanvisning avser. Om andra tillbehör eller tillsatser används kan det uppstå risk för personskador. Använd endast tillbehören eller tillsatserna för de syften de är avsedda för.

Kontakta ditt lokala Makita servicecenter om du behöver ytterligare information om dessa tillbehör.

- Sprängskydd (skivskydd)
- Innerfläns
- Rondeller med försänkta centrumhål
- Låsmutter (för försänkta centrumhål)
- Stödrondell
- Sliprondeller
- Låsmutter (för slipskiva)
- Tappnyckel för låsmutter
- Kapskivor
- Innerfläns (för kapskiva)
- Ytterfläns (för kapskiva)
- Koppformad stålborste
- Sidohandtag
- Dammuppsamlande sprängskydd

NORSK

Oversiktsforklaring

1-1. Spindellås	6-4. Hendel	11-2. Ytre flens 78
2-1. Motorhus	7-1. Mutter	11-3. Kappeskive
2-2. Sperreknapp	8-1. Låsemutter	11-4. Indre flens 78
2-3. Håndtak	8-2. Slipeskive med forsenket nav	11-5. Beskyttelseskappe med støvoppsamler
3-1. Startbryter	8-3. Superflens	13-1. Luftutløp
3-2. Låsehendel	8-4. Indre flens	13-2. Luftinntak
5-1. Beskyttelseskappe	9-1. Låsemutter	14-1. Kommutator
5-2. Skrue	9-2. Slipeskive med forsenket nav	14-2. Isolerende spiss
5-3. Lagerboks	9-3. Indre flens	14-3. Kullbørste
6-1. Lagerboks	10-1. Låsemuttermøkkel	15-1. Børsteholderhette
6-2. Beskyttelseskappe	10-2. Spindellås	15-2. Skrutrekker
6-3. Mutter	11-1. Låsemutter	

TEKNISKE DATA

Modell	GA7030/GA7030F GA7030S/GA7030SF	GA7040S/GA7040SF	GA9030/GA9030F GA9030S/GA9030SF	GA9040S/GA9040SF
Diameter for slipeskive med forsenket nav	180 mm		230 mm	
Spindelgjenge	M14		M14	
Ubelastet turtall (min ⁻¹)	8 500		6 600	
Total lengde	511 mm		511 mm	
Nettvekt	5,1 kg	5,5 kg	5,1 kg	5,5 kg
Sikkerhetsklasse	II / II			

• Som følge av vårt kontinuerlige forsknings- og utviklingsprogram kan de tekniske dataene endres uten ytterligere forvarsel.

• Merk: Tekniske data kan variere fra land til land.

END202-2

ENF002-1

Symboler

Nedenfor ser du symbolene som brukes for dette utstyret. Forviss deg om at du forstår hva de betyr, før du begynner å bruke maskinen.



- Les bruksanvisningen.



- DOBBEL ISOLERING



- Bruk vernebriller.



- Bare for land i EU
Kast aldri elektroutstyr i husholdningsavfallet!
I henhold til EU-direktiv 2002/96/EF om kasserte elektriske og elektroniske produkter og direktivets iverksetting i nasjonal rett, må elektroutstyr som ikke lenger skal brukes, samles separat og returneres til et miljøvennlig gjenvinningsanlegg

ENE048-1

Riktig bruk

Maskinen er beregnet på sliping, pussing og kutting av metall og steinmaterialer uten bruk av vann.

Strømforsyning

Maskinen må bare kobles til en strømkilde med samme spenning som vist på typeskiltet, og kan bare brukes med enfase-vekselstrømforsyning. Det er dobbelt verneisolert i samsvar med europeiske standarder, og kan derfor også brukes i kontakter uten jordledning.

ENF100-1

For offentlige lavspenningsnett på mellom 220 V og 250 V.

Inn- og utkobling av elektriske apparater forårsaker spenningsvariasjoner. Bruken av dette apparatet under uheldige forhold i strømmettet kan ha negative virkninger på bruken av annet utstyr. Når strømmetimpedansen er lik eller lavere enn 0,23 ohm, er det grunn til å anta at ingen negative virkninger vil oppstå. Nettuttaket som brukes til dette apparatet må være beskyttet av en treg sikring eller et tregt overlastvern.

For modell

GA7030, GA7030F, GA7030S, GA7030SF, GA9040S, GA9040

ENG021-1

Gjelder bare land i Europa

Støy og vibrasjoner

Typisk A-vektede lydtrykknivåer er
lydtrykknivå: 89 dB (A)

Lydeffektnivå: 102 dB (A)

Bruk hørselvern.

Typisk vektet kvadratisk middelvei av akselerasjonen er ikke mer enn 2,5 m/s².

.Disse verdiene er fremkommet i samsvar med EN50144.

For modell GA9030,GA9030F,GA9030S,GA9030SF
ENG021-1

Gjelder bare land i Europa

Støy og vibrasjoner

Typisk A-vektede lydtrykknivåer er

lydtrykknivå: 91 dB (A)

Lydeffektnivå: 104 dB (A)

Bruk hørselvern.

Typisk vektet kvadratisk middelvei av akselerasjonen er ikke mer enn 2,5 m/s².

.Disse verdiene er fremkommet i samsvar med EN50144.

For modell GA7040S,GA7040SF

ENG021-1

Gjelder bare land i Europa

Støy og vibrasjoner

Typisk A-vektede lydtrykknivåer er

lydtrykknivå: 90 dB (A)

Lydeffektnivå: 103 dB (A)

Bruk hørselvern.

Typisk vektet kvadratisk middelvei av akselerasjonen er ikke mer enn 2,5 m/s².

.Disse verdiene er fremkommet i samsvar med EN50144.

ENH001-6

EUs SAMSVARS-ERKLÆRING

Vi tar det hele og fulle ansvar for at dette produktet samsvarer med følgende standarder:

EN50144, EN55014, EN61000 i overensstemmelse med Rådsdirektivene 89/336/EØF og 98/37/EF.

Yasuhiko Kanzaki **CE2006**



000087

Direktør

MAKITA INTERNATIONAL EUROPE LTD.

Michigan Drive, Tongwell, Milton Keynes, Bucks MK15 8JD, ENGLAND

Ansvarlig produsent:

Makita Corporation Anjo Aichi Japan

ENB031-6

YTTERLIGERE

SIKKERHETSREGLER

1. **Bruk alltid vernebriller og hørselvern. Annet personlig verneutstyr som støvmaske, vernehansker, hjelm og forkle bør også brukes.**
2. **Forviss deg alltid om at maskinen er slått av og støpselet trukket ut av kontakten før du utfører noe arbeid på maskinen.**
3. **Sørg for at vernene er på plass.**
4. **Bruk bare skiver med korrekt størrelse, og**

skiver med en maksimal driftshastighet som er minst så høy som høyeste ubelastede turtall (No Load Speed) angitt på maskinens merkeplate. Når du bruker slipeskive med forsenket nav, må du passe på bare å bruke glassfiberarmerte skiver.

5. **Før du begynner å bruke maskinen, må du kontrollere nøye at skiven ikke har sprekker eller andre skader. En sprukken eller ødelagt skive må skiftes ut omgående.**
6. **Følg produsentens anvisninger for korrekt montering og bruk av skiver. Håndter og oppbevar skivene forsiktig.**
7. **Ikke bruk separate reduksjonsbøssinger eller adaptere for å tilpasse slipeskiver med store hull.**
8. **Bruk bare flenser som er spesifisert for denne maskinen.**
9. **Ikke ødelegg spindelen, flensen (særlig monteringsflaten) eller låsemutteren. Skade på disse delene kan resultere i at skiven brykker.**
10. **For maskiner som er beregnet på å bli utstyrt med gjengehullsskive, må du forvise deg om at jengjen i hullet er lang nok til å passe til spindel lengden.**
11. **Før du bruker maskinen på det aktuelle emnet, må du teste den ved høyeste ubelastede turtall i minst 30 sekunder i en sikker posisjon. Stopp maskinen umiddelbart hvis det oppstår vibrasjoner eller slingring som kan tyde på feilaktig montering eller en dårlig utbalansert skive. Kontroller maskinen for å bestemme årsaken.**
12. **Forviss deg om at arbeidsstykket står støtt.**
13. **Hold maskinen godt fast.**
14. **Hold hendene unna roterende deler.**
15. **Forviss deg om at skiven ikke har kontakt med arbeidsstykket før startbryteren er slått på.**
16. **Bruk den angitte overflaten av skiven til å utføre slipingen.**
17. **Ikke bruk kappeskiver til sidesliping.**
18. **Se opp for flygende gnister. Hold maskinen slik at gnistene flyr bort fra deg og andre personer eller brennbare materialer.**
19. **Ta hensyn til at skiven fortsetter å rotere etter at maskinen er slått av.**
20. **Ikke berør arbeidsstykket umiddelbart etter bruk. Det kan være ekstremt varmt og kan gi deg brannskader.**
21. **Plasser maskinen slik at strømkabelen alltid befinner seg bak maskinen mens denne er i bruk.**
22. **Hvis arbeidsplassen er ekstremt varm og fuktig, eller svært forurenset med elektrisk ledende støv, må du bruke en kortslutningsbryter (30 mA) for å ivareta operatørens sikkerhet.**

23. Ikke bruk maskinen på materialer som inneholder asbest.
24. Ikke bruk vann eller slipeolje.
25. Forviss deg om at luften åpningene holdes åpne når du arbeider under støvete forhold. Hvis det skulle bli nødvendig å fjerne støv, må du først koble maskinen fra strømmettet. Bruk ikke-metalliske gjenstander til rengjøringen, og unngå å skade indre deler.
26. Når du bruker kappeskiven, må du alltid bruke beskyttelseskappen med støvoppsamler, slik lokale bestemmelser krever.
27. Kappeskiver må ikke utsettes for trykk fra siden.

TA VARE PÅ DISSE INSTRUKSENE.

FUNKSJONSBEKRIVELSE

⚠ FORSIKTIG:

- Forviss deg alltid om at maskinen er slått av og støpselet trukket ut av kontakten før du justerer maskinen eller kontrollerer dens mekaniske funksjoner.

Spindellås

Fig.1

⚠ FORSIKTIG:

- Du må aldri aktivere spindellåsen mens spindelen beveger seg. Maskinen kan bli ødelagt.

Trykk på spindellåsen for å forhindre spindelrotasjon når du monterer eller fjerner tilbehør.

Monteringsstillinger for bryterhåndtak

Fig.2

Bryterhåndtaket kan vendes til enten 90° venstre eller høyre for å tilpasses dine arbeidskrav. Først må du koble fra maskinen. Trykk på låseknappen og rotér bryterhåndtaket helt til venstre eller høyre. Nå er bryterhåndtaket låst i den stillingen.

⚠ FORSIKTIG:

- Pass alltid på at bryterhåndtaket er låst i ønsket stilling før bruk.

Bryterfunksjon

Fig.3

⚠ FORSIKTIG:

- Før du kobler maskinen til strømmettet, må du alltid kontrollere at startbryteren aktiverer maskinen på riktig måte og går tilbake til "AV"-stilling når den slippes.

For maskiner med PÅ-sperreknapp

Trykk på startbryteren (i B-retningen) for å starte maskinen. Slipp startbryteren for å stoppe verktøyet. For kontinuerlig drift, må du trykke på startbryteren (i

B-retningen) og deretter skyve inn sperrespaken (i A-retningen). Hvis du vil stoppe maskinen mens den er låst i "ON"-stilling, må du trykke startbryteren helt inn (i B-retningen) og så slippe den igjen.

For maskiner med AV-sperreknapp

For å hindre at startbryteren trykkes ved en feiltakelse, har maskinen en sperrespak.

Skyv inn sperrespaken (i A-retningen) og trykk på startbryteren (i B-retningen) for å starte maskinen. Slipp startbryteren for å stoppe verktøyet.

For maskiner med PÅ-sperreknapp og

AV-sperreknapp

For å hindre at startbryteren trykkes ved en feiltakelse, har maskinen en sperrespak.

Skyv inn sperrespaken (i A-retningen) og trykk på startbryteren (i B-retningen) for å starte maskinen. Slipp startbryteren for å stoppe maskinen.

For kontinuerlig drift, må du trykke inn sperrespaken (i A-retningen), trykke på startbryteren (i B-retningen) og så trykke sperrespaken (i A-retningen) lenger inn.

Hvis du vil stoppe verktøyet mens det er sperret, må du trykke startbryteren (i B-retningen) helt inn og slippe den.

MERK:

GA7030S, GA9030S, GA7040S, GA9040S, GA7030SF, GA9030SF, GA7040SF og GA9040SF modellene begynner å gå sakte når de slås på. Denne "mykstarts"-funksjonen sikrer bedre drift.

MONTERING

⚠ FORSIKTIG:

- Forviss deg alltid om at maskinen er slått av og støpselet trukket ut av kontakten før du utfører noe arbeid på maskinen.

Montere støttehåndtak (hjelpéhåndtak)

Fig.4

⚠ FORSIKTIG:

- Forviss deg alltid om at støttehåndtaket er skikkelig montert før du tar maskinen i bruk.

Skru støttehåndtaket godt fast på maskinen i den stillingen som er vist på figuren.

Montere eller fjerne beskyttelseskappen

Fig.5

⚠ FORSIKTIG:

- Beskyttelseskappen må settes på maskinen slik at den lukkede siden av kappen alltid peker mot operatøren.

Monter beskyttelseskappen slik at fremspringet på kappen ligger overrett med hakket i lagerboksen. Drei deretter beskyttelseskappen 180 grader mot klokken. Forviss deg om at du har trukket skruen godt til.

Fjern beskyttelseskappen ved å følge installeringsfremgangsmåten i motsatt rekkefølge.

Installere og fjerne beskyttelseskappen

(utstyr)

Fig.6

Fig.7

⚠FORSIKTIG:

- Beskyttelseskappen må settes på maskinen slik at den lukkede siden av kappen alltid peker mot operatøren.

Løsne spaken på beskyttelsesknappen. Monter beskyttelseskappen slik at fremspringet på beskyttelseskappen ligger overett med hakket i lagerboksen. Drei deretter beskyttelseskappen rundt slik bildet viser. Fest spaken til beskyttelseskappen. Hvis spaken er for stram eller for løs til å feste beskyttelseskappen, løsne eller trekk til skruen for å justere beskyttelseskappen.

Fjern beskyttelseskappen ved å følge installeringsfremgangsmåten i motsatt rekkefølge.

Installere eller fjerne nedtrykket, sentrert

slipeskive / multidisk (tilleggsutstyr)

Fig.8

Monter den indre flensen på spindelen. Sett skiven/disken på den indre flensen og skru låsemutteren på spindelen.

Superflens

GA7030F,GA7030SF,GA7040F,GA7040SF,GA9030F,9030SF,GA9040F og GA9040SF modellene er standard utstyrt med en superflens. Kun 1/3 styrke må til for å åpne låsemutteren i forhold til vanlig type.

For Australia og New Zealand

Fig.9

Monter den indre flensen på spindelen. Sett skiven/disken på den indre flensen og skru låsemutteren med fremspringet vendt nedover (mot skiven).

Stram låsemutteren ved å trykke så kraftig på spindellåsen at spindelen ikke kan rotere, og bruk låsemutternøkkelen til å stramme mutteren godt med klokken.

Fig.10

Fjern skiven ved å følge installeringsfremgangsmåten i motsatt rekkefølge.

Montere eller demontere kappeskiven

For Australia og New Zealand

Fig.11

Monter den indre flensen på spindelen. Sett kappeskiven på den indre flensen

Monter den ytre flensen på skiven og skru låsemutteren med fremspringet vendt nedover (mot skiven).

Stram låsemutteren ved å trykke så kraftig på spindellåsen at spindelen ikke kan rotere, og bruk låsemutternøkkelen til å stramme mutteren godt med klokken.

Fjern skiven ved å følge installeringsfremgangsmåten i motsatt rekkefølge.

BRUK

⚠ADVARSEL:

- Det burde aldri være nødvendig å bruke makt på maskinen. Vekten av maskinen utøver passende trykk. Maktbruk og for stort trykk kan føre til farlig brudd i skiven.
- Skiven må ALLTID skiftes hvis maskinen mistes under sliping.
- ALDRI dunk eller slå slipeskiven mot arbeidsstykket.
- Unngå at skiven hopper eller setter seg fast, særlig ved sliping av hjørner, skarpe kanter osv. Dette kan føre til at du mister kontrollen, og at maskinen slår tilbake mot deg.
- Maskinen må ALDRI brukes med skjæreblader for tre eller andre sagblader. Hvis slike blader brukes på en slipemaskin, kan de ofte føre til slag fra maskinen, slik at operatøren mister kontrollen og blir skadet.

⚠FORSIKTIG:

- Maskinen må aldri slås på mens den er i berøring med arbeidsstykket, da dette kan skade operatøren.
- Bruk alltid vernebriller eller ansiktsmaske ved arbeid med maskinen.
- Når du er ferdig å bruke maskinen må du alltid slå den av og vente til skiven har stoppet helt før du setter maskinen ned.

Sliping og pussing

Maskinen må ALLTID holdes i fast grep med en hånd på det bakre håndtaket og den andre på støttehåndtaket. Slå på maskinen og sett så skiven i berøring med arbeidsstykket.

Generelt skal kanten av skiven holdes i en vinkel på omtrent 15 grader mot overflaten av arbeidsstykket.

I innkjøringsperioden for en ny skive må slipemaskinen ikke brukes i B-retning, da dette vil føre til at den skjærer inn i arbeidsstykket. Så snart kanten av skiven er rundet av etter å være brukt litt, kan den brukes i både A- og B-retning.

Fig.12

VEDLIKEHOLD

⚠FORSIKTIG:

- Forviss deg alltid om at maskinen er slått av og støpselet trukket ut av kontakten før du foretar inspeksjon eller vedlikehold.

Maskinen og dens luftenåpninger må holdes rene. Rengjør maskinens luftenåpninger med jevne mellomrom eller når åpningene begynner å tettes.

Fig.13

Skifte kullbørster

Fig.14

Når den isolerende harpiksspissen inne i kullbørsten er eksponert for kontakt med kommutatoren, vil den automatisk slå av motoren. Når dette skjer, må begge kullbørstene skiftes. Hold kullbørstene rene og fri til å bevege seg i holderne. Begge kullbørstene må skiftes samtidig. Bruk bare identiske kullbørster.

Bruk en skrutrekker til å fjerne børsteholderhettene. Ta ut de slitte kullbørstene, sett i nye, og fest børsteholderhettene.

Fig.15

For å opprettholde produktets SIKKERHET og PÅLITELIGHET, må reparasjoner, vedlikehold og justeringer utføres av Makitas autoriserte servicesentre, og det må alltid brukes reservedeler fra Makita.

TILBEHØR

FORSIKTIG:

- Det anbefales at du bruker dette tilbehøret eller verktøyet sammen med den Makita-maskinen som er spesifisert i denne håndboken. Bruk av annet tilbehør eller verktøy kan forårsake helseskader. Tilbehør og verktøy må kun brukes til det formålet det er beregnet på.

Ta kontakt med ditt lokale Makita-servicesenter hvis du trenger mer informasjon om dette tilbehøret.

- Beskyttelseskappe (skivedeksel)
- Indre flens
- Slipeskiver med forsenket nav
- Låsemutter (for slipeskiver med forsenket nav)
- Gummirondell
- Slipeskiver
- Låsemutter (for slipeskiver)
- Låsemutternøkkel
- Kappeskiver
- Indre flens (for kappeskive)
- Ytre flens (for kappeskive)
- Sirkulærbørste av stål
- Støttehåndtak
- Beskyttelseskappe med støvopsamler

Yleisen näkymän selitys

1-1. Karalukitus	6-4. Vipu	11-2. Ulkolaippa 78
2-1. Moottorikotelo	7-1. Mutteri	11-3. Katkaisulaikka
2-2. Lukituspainike	8-1. Lukkomutteri	11-4. Sisälaippa 78
2-3. Kahva	8-2. Keskeältä ohennettu laikka	11-5. Pölyä keräävä laikan suojus
3-1. Liipaisinkytkin	8-3. Superlaippa	13-1. Poistoaukko
3-2. Lukitusvipu	8-4. Sisälaippa	13-2. Ilman tuloaukko
5-1. Laikan suojus	9-1. Lukkomutteri	14-1. Kommutaattori
5-2. Ruuvi	9-2. Keskeältä ohennettu laikka	14-2. Eristekärki
5-3. Vaihdekotelo	9-3. Sisälaippa	14-3. Hiiliharja
6-1. Vaihdekotelo	10-1. Lukkomutteriavain	15-1. Hiiliharjan pidikkeen kupu
6-2. Laikan suojus	10-2. Karalukitus	15-2. Ruuvitaltta
6-3. Mutteri	11-1. Lukkomutteri	

TEKNISET TIEDOT

Malli	GA7030/GA7030F GA7030S/GA7030SF	GA7040S/GA7040SF	GA9030/GA9030F GA9030S/GA9030SF	GA9040S/GA9040SF
Keskeältä ohennetun laikan halkaisija	180 mm		230 mm	
Karan kierre	M14		M14	
Kuormittamaton nopeus (min ⁻¹)	8 500		6 600	
Kokonaispituus	511 mm		511 mm	
Nettopaino	5,1 kg	5,5 kg	5,1 kg	5,5 kg
Turvallisuusluokka	II			

• Jatkuvan tutkimus- ja kehitysohjelman vuoksi pidätämme oikeuden muuttaa tässä mainittuja teknisiä ominaisuuksia ilman ennakoilmoitusta.

• Huomautus: Tekniset ominaisuudet saattavat vaihdella eri maissa.

END200-2

ENF002-1

Symbolit

Laitteessa on käytetty seuraavia symboleja. Varmista ennen käyttöä, että ymmärrät niiden merkityksen.



• Lue käyttöohje.



• KAKSINKERTAINEN ERISTYSTY



• Käytä suojalaseja.



• Koskee vain EU-maita
Älä hävitä sähkötarvikkeita tavallisen kotitalousjätteen mukana!
Vanhoja sähkö- ja elektroniikkalaitteita koskevan EU-direktiivin 2002/96/ETY ja sen maakohtaisten sovellusten mukaisesti käytetyt sähkötarvikkeet on toimitettava ongelmajätteen keräyspisteeseen ja ohjattava ympäristöystävälliseen kierrätykseen.

ENE048-1

Käyttötarkoitus

Työkalu on tarkoitettu metallin ja kiven hiomiseen ja leikkaamiseen ilman vettä.

Virtälähde

Koneen saa kytkeä vain sellaiseen virtalähteeseen, jonka jännite on sama kuin arvokilvessä ilmoitettu, ja sitä saa käyttää ainoastaan yksivaiheisella vaihtovirralla. Kone on kaksinkertaisesti suojaeristetty eurooppalaisten standardien mukaisesti, ja se voidaan siten kytkeä myös maadoittamattomaan pistorasiaan.

ENF100-1

220 ja 250 voltin matalajännitteiset jakeluverkot.

Sähkölaitteiden käynnistys ja sammutus aiheuttavat jännitevaihteluita. Tämän laitteen käyttö epävakaassa verkossa saattaa haitata muiden laitteiden toimintaa. Haittavaikutuksia ei ole odotettavissa, jos verkon impedanssi on enintään 0,23 ohmia. Verkkopistokkeessa, johon tämä laite kytketään, on oltava sulake tai hidas vikavirtasuojaus.

Malli

GA7030, GA7030F, GA7030S, GA7030SF, GA9040S, GA9040

ENG021-1

Vain Euroopan maat**Melu ja värinä**

Tyypilliset A-painotetut äänenpainetasot ovat äänenpainetaso: 89 dB (A)
äänen tehotoso: 102 dB (A)

Käytä kuulosuojaimia.

Tyypillinen painotettu keskimääräinen kiihdytyksen neliöjuuriarvo on korkeintaan 2.5 m/s².

Nämä arvot on saatu standardin EN50144 mukaisesti.

Malli GA9030,GA9030F,GA9030S,GA9030SF

ENG021-1

Vain Euroopan maat

Melu ja värinä

Tyypilliset A-painotetut äänenpainetasot ovat

äänenpainetaso: 91 dB (A)

äänen tehotoso: 104 dB (A)

Käytä kuulosuojaimia.

Tyypillinen painotettu keskimääräinen kiihdytyksen neliöjuuriarvo on korkeintaan 2.5 m/s².

Nämä arvot on saatu standardin EN50144 mukaisesti.

Malli GA7040S,GA7040SF

ENG021-1

Vain Euroopan maat

Melu ja värinä

Tyypilliset A-painotetut äänenpainetasot ovat

äänenpainetaso: 90 dB (A)

äänen tehotoso: 103 dB (A)

Käytä kuulosuojaimia.

Tyypillinen painotettu keskimääräinen kiihdytyksen neliöjuuriarvo on korkeintaan 2.5 m/s².

Nämä arvot on saatu standardin EN50144 mukaisesti.

ENH001-6

VAKUUTUS EC-VASTAAVUUDESTA

Makita ilmoittaa vastaavansa siitä, että tuote täyttää seuraavien standardien vaatimukset;

EN50144, EN55014, EN61000 Euroopan neuvoston direktiivien 89/336/ETY ja 98/37/EY mukaisesti.

Yasuhiko Kanzaki **CE2006**



000087

Johtaja

MAKITA INTERNATIONAL EUROPE LTD.

Michigan Drive, Tongwell, Milton Keynes, Bucks MK15 8JD, ENGLAND

Vastuullinen valmistaja:

Makita Corporation Anjo Aichi Japan

ENB031-6

LISÄTURVAOHJEITA

1. Käytä aina suojalaseja ja kuulosuojaimia. Käytä lisäksi henkilökohtaisia suojaimia, kuten kasvosuojusta, käsineitä, kypärää ja esiliinaa.
2. Varmista aina, että laite on sammutettu ja irrotettu virtalähteestä, ennen kuin teet sille mitään.
3. Pidä kaikki suojat paikoillaan.
4. Käytä vain oikean kokoisia laikkoja, joiden suurin sallittu pyörimisnopeus on ainakin yhtä suuri kuin työkalun arvokilvessä ilmoitettu joutokäyntinopeus (No Load Speed). Kun käytät keskeltä ohennettuja laikkoja, varmista, että ne ovat lasikuituvahvisteisia.

5. Tarkasta ennen käyttöä, ettei laikassa ole halkeamia tai vaurioita. Vaihda halkeillut tai muuten vahingoittunut laikka heti uuteen.
6. Noudata valmistajan antamia ohjeita laikkojen oikeasta asennuksesta ja käytöstä. Käsittele laikkoja varoen ja säilytä niitä turvallisessa paikassa.
7. Älä käytä erillisiä supistusholkkeja tai sovitettavia isoaukkoisten hiomalaikkojen kiinnitykseen.
8. Käytä ainoastaan tälle työkalulle tarkoitettuja laippoja.
9. Varo vaurioittamasta a, laippaa (varsinkaan asennuspintaa) tai lukkomutteria. Näiden osien vioittuminen voi aiheuttaa laikan rikkoutumisen.
10. Kun käytät kierreeriällä varustetuille laikoille tarkoitettua työkalua, varmista, että laikan kierteet vastaavat pituudeltaan a.
11. Ennen kuin kokeilet työkalua varsinaiseen työkappaleeseen, käytä sitä turvallisessa paikassa suurimmalla joutokäyntinopeudella vähintään 30 sekunnin ajan. Pysäytä kone heti, jos havaitset värinää tai huojuntaa, jotka voivat olla merkki epäonnistuneesta asennuksesta tai huonosti tasapainotetusta laikasta. Tutki työkalu ja selvitä syy.
12. Varmista, että työkappale on tukevasti paikoillaan.
13. Pidä työkalua tiukasti.
14. Pidä kädet loitolla pyörivistä osista.
15. Varmista, että laikka ei kosketa työkappaleeseen, ennen kuin virta on kytketty päälle kytkimestä.
16. Käytä hiontaan siihen tarkoitettua laikan pintaa.
17. Älä käytä katkaisulaikkaa työkappaleen sivujen hiomiseen.
18. Varo kipinöitä. Pidä työkalua niin, että kipinät suuntautuvat pois päin itsestäsi ja muista sekä syttymisherkeistä materiaaleista.
19. Ota huomioon, että laikka jatkaa pyörimistään vielä sen jälkeen, kun virta on katkaistu.
20. Älä kosketa työkalua heti käytön jälkeen, sillä se saattaa olla erittäin kuuma ja polttaa ihoa.
21. Pidä konetta sellaisessa asennossa, että virtajohto jää käytön aikana aina taakse.
22. Jos työtila on erittäin kuumin ja kostea tai siinä on osiointy runsaasti sähköä johtavaa pölyä, varmista turvallisuus käyttämällä vikavirtakatkaisinta (30 mA).
23. Älä hio tai leikkaa työkalulla mitään asbestia sisältäviä materiaaleja.
24. Älä käytä vettä tai hiomaöljyjä.
25. Varmista pölyisissä työskentelyoloissa, että poisto- ja tuloaukot pysyvät auki. Jos aukot on puhdistettava pölystä, kytke kone ensin irti

verkosta ja puhdista aukot varoen vahingoittamasta laitteen sisäosia. Älä käytä puhdistukseen metalliesinettä.

26. Käytä aina paikallisten määräysten edellyttämää pölyä keräävää laikansuojusta.
27. Katkaisulaikkaa ei saa painaa sivusuunnassa.

SÄILYTÄ NÄMÄ OHJEET.

TOIMINTAKUVAUS

⚠HUOMAUTUS:

- Varmista aina ennen säätöjä tai tarkastuksia, että laite on sammutettu ja irrotettu verkosta.

lukitus

Kuva1

⚠HUOMAUTUS:

- Älä koskaan kytke lukkoa päälle n pyöriessä. Työkalu voi rikkoutua.

Kun kiinnität tai irrotat lisälaitteita, estä a pyörimästä painamalla lukitusta.

Pääkahvan kiinnitysasennot

Kuva2

Kytkinvipua voidaan pyörittää 90° joko vasemmalle tai oikealle työsi tarpeen mukaan. Vedä ensin työkalu sähkövirrasta pois. Paina lukitusnappia ja kierrä kytkinkahva täysin vasemmalle tai oikealle. Kytkinkahva lukittuu siihen asentoon.

⚠HUOMAUTUS:

- Varmista aina, että kytkinvipu on lukittu haluttuun asentoon ennen käyttöä.

Kytkimen toiminta

Kuva3

⚠HUOMAUTUS:

- Tarkista aina ennen työkalun liittämistä virtalähteeseen, että liipaisinkytkin kytketty oikein ja palaa asentoon OFF, kun se vapautetaan.

Lukituskytkimellä varustettu kone

Käynnistä työkalu painamalla liipaisinkytkintä (suuntaan B). Laite pysäytetään vapauttamalla liipaisinkytkin. Jos haluat työkalun käyvän jatkuvasti, paina ensin liipaisinkytkin pohjaan (suuntaan B) ja paina sitten lukitusvipu sisään (suuntaan A). Lukittu työkalu pysäytetään painamalla liipaisinkytkin ensin täysin pohjaan (suuntaan B) ja sitten vapauttamalla se.

Käynnistyksen estokytkin

Työkalussa on lukitusvipu, joka estää kytkinvivun vetämisen vahingossa.

Käynnistä työkalun painamalla lukitusvipua (suuntaan A) ja sitten vetämällä liipaisinkytkintä (suuntaan B). Laite pysäytetään vapauttamalla liipaisinkytkin.

Lukitus- ja lukituksen vapautuskytkimellä varustettu kone

Työkalussa on lukitusvipu, joka estää liipaisinkytkimen vetämisen vahingossa.

Käynnistä työkalun painamalla lukitusvipua (suuntaan A) ja sitten vetämällä liipaisinkytkintä (suuntaan B). Pysäytät työkalun vapauttamalla liipaisinkytkin.

Jos haluat työkalun käyvän jatkuvasti, paina lukitusvipua sisään (suuntaan A), vedä laukaisukytkintä (suuntaan B) ja sitten työnnä lukitusvipua (suuntaan A) vielä sisään.

Lukittu työkalu pysäytetään vetämällä liipaisinkytkintä täysin (suuntaan B), ja sitten vapauttamalla se.

HUOMAUTUS:

Mallit GA7030S, GA9030S, GA7040S, GA9040S, GA7030SF, GA9030SF, GA7040SF ja GA9040SF käynnistyvät hitaasti päällekytkemisen jälkeen. Tämä pehmeäkäynnistys-piirre varmistaa kitkattomamman toiminnan.

KOKOONPANO

⚠HUOMAUTUS:

- Varmista aina, että laite on sammutettu ja irrotettu virtalähteestä, ennen kuin teet sille mitään.

Sivukahvan asentaminen (kahva)

Kuva4

⚠HUOMAUTUS:

- Varmista aina ennen käyttöä, että sivukahva on tukevasti paikoillaan.

Kiinnitä sivukahva koneeseen kuvan osoittamalla tavalla.

Laikan suojuksen asentaminen tai

irrottaminen

Kuva5

⚠HUOMAUTUS:

- Laikan suojus on kiinnitettävä koneeseen niin, että suojuksen umpinainen pää tulee aina käyttäjää kohti.

Kiinnitä laikan suojus niin, että laikan suojuksen nauhassa oleva uloke tulee vaihdetelon loven kohdalle. Käännä sitten laikan suojusta 180 astetta vastapäivään. Kiristä ruuvit huolellisesti.

Irrota laikan suojus päinvastaisessa järjestyksessä.

Laikan suojuksen asentaminen tai irrotus

(lisävaruste)

Kuva6

Kuva7

⚠HUOMAUTUS:

- Laikan suojus on kiinnitettävä koneeseen niin, että suojuksen umpinainen pää tulee aina käyttäjää kohti.

Löysää laikan suojuksessa oleva vipu. Aseta laikan suojuksen siten, että laikan suojuksessa oleva ulkonema ja laakerilaatikon lovi ovat rinnakkain. Kierrä sitten laikan suojusta kuvassa osoitettuun asentoon. Kiristä vipu laikan suojuksen varmistamiseksi. Jos vipu on liian kireä tai liian löysä laikan suojuksen kiinnittämiseksi, löysää tai kiristä mutteria suojuksen hihnan kireyden säätämiseksi.

Irrota laikan suojuksen päinvastaisessa järjestyksessä.

Keskeltä ohennetun laikan/monilaikan (lisävaruste) kiinnittäminen ja irrottaminen

Kuva8

Aseta sisälaippa an. Sovita laikka sisälaippaan ja kiinnitä lukkomutteri an.

Superlaippa

Mallit

GA7030F,GA7030SF,GA7040F,GA7040SF,GA9030F,9030SF,GA9040F ja GA9040SF ovat vakiovarustettuja superlaipalla. Tarvitaan ainoastaan 1/3 ponnistusta lukkomutterin avaamiseksi tavanomaiseen tyyppiin verrattuna.

Australia ja Uusi-Seelanti

Kuva9

Aseta sisälaippa an. Aseta laikka sisälaippaan ja ruuvaa lukitusmutteri siten, että sen uloke osoittaa alaspäin (kohti laikkaa).

Kiristä lukkomutteri painamalla lukkoa voimakkaasti niin, ettei pääse pyörimään, ja kiristä lukkomutteri sitten lukkomutteriavaimella myötäpäivään.

Kuva10

Laikka irrotetaan päinvastaisessa järjestyksessä.

Katkaisulaikan asentaminen tai irrottaminen

Australia ja Uusi-Seelanti

Kuva11

Aseta sisälaippa an. Sovita katkaisulaikka sisälaipan päälle.

Kiinnitä ulkolaippa laikkaan ja kiristä lukitusmutteri siten, että sen uloke osoittaa alaspäin (kohti laippaa).

Kiristä lukkomutteri painamalla lukkoa voimakkaasti niin, ettei pääse pyörimään, ja kiristä lukkomutteri sitten lukkomutteriavaimella myötäpäivään.

Laikka irrotetaan päinvastaisessa järjestyksessä.

KÄYTTÖ

⚠VAROITUS:

- Älä koskaan pakota konetta. Koneen oma paino riittää. Pakottaminen ja liiallinen painaminen voi aiheuttaa vaarallisen laikan rikkoutumisen.
- Vaihda laikka AINA, jos kone pääsee putoamaan hionnan aikana.
- ÄLÄ KOSKAAN iske tai kolhi laikkaa työkappaleeseen.

- Vältä laikan pomppimista ja jumittumista varsinkin silloin, kun työstät nurkkia, teräviä reunoja ja niin edelleen. Seurauksena voi olla hallinnan menetys ja takapotku.

- ÄLÄ KOSKAAN asenna koneeseen puun leikkaamiseen tarkoitettuja teriä tai muita sahanteriä. Kulmahiomakoneessa käytettynä nämä terät aiheuttavat lähes poikkeuksetta takapotkun ja hallinnan menetyksen, jolloin seurauksena voi olla henkilövahinkoja.

⚠HUOMAUTUS:

- Älä koskaan käynnistä konetta, kun se koskettaa työkappaleeseen, koska tämä voi aiheuttaa käyttäjälle vammoja.
- Käytä aina suojalaseja tai kasvosuojusta käytön aikana.
- Käytön jälkeen katkaise koneesta aina virta ja odota, kunnes laikka on täysin pysähtynyt ennen kuin lasket koneen käsistä.

Hionta

Ota työkalusta AINA tukeva ote toinen käsi takakahvassa ja toinen sivukahvassa. Käynnistä kone ja vie sitten laikka työkappaleeseen.

Pidä laikkaa noin 15 asteen kulmassa työkappaleen pintaan nähden.

Kun ajat sisään uuttaa laikkaa, älä käytä hiomakonetta suuntaan B, koska tällöin laikka leikkaa työkappaleeseen. Sitten kun laikan reuna on käytössä pyöristynyt, konetta voidaan käyttää sekä suuntaan A että B.

Kuva12

HUOLTO

⚠HUOMAUTUS:

- Varmista aina ennen tarkastuksia tai huoltotoimia, että laite on sammutettu ja kytketty irti virtalähteestä.

Kone ja sen ilma-aukot on pidettävä puhtaina. Puhdista koneen ilma-aukot säännöllisesti tai aina kun ne alkavat tukkeutua.

Kuva13

Hiiliharjojen vaihtaminen

Kuva14

Kun hiiliharjan sisällä oleva hartsieristekärki on paljaana ja koskettaa kommutaattoria, se sammuttaa moottorin automaattisesti. Kun näin tapahtuu, molemmat hiiliharjat täytyy vaihtaa. Pidä hiiliharjat puhtaina ja varmista, että ne pääsevät liukumaan vapaasti pidikkeissään. Molemmat hiiliharjat on vaihdettava yhtä aikaa. Käytä vain identtisiä hiiliharjoja.

Irrota harjanpidikkeiden kuvat ruuvitaltalla. Irrota kuluneet hiiliharjat, asenna uudet, ja kiinnitä pidikkeiden kuvat.

Kuva15

Tuotteen TURVALLISUUDEN ja LUOTETTAVUUDEN takaamiseksi korjaukset, muut huoltotyöt ja säädöt on teetettävä Makitan valtuutetussa huoltopisteessä Makitan varaosia käyttäen.

LISÄVARUSTEET

HUOMAUTUS:

- Seuraavia lisävarusteita tai laitteita suositellaan käytettäväksi tässä ohjeessa kuvatun Makita-työkalun kanssa. Muiden lisävarusteiden tai laitteiden käyttö voi aiheuttaa vammautumisriskin. Käytä lisävarustetta tai laitetta vain ilmoitettuun käyttötarkoitukseen.

Jos tarvitset lisätietoja näistä lisävarusteista, ota yhteys paikalliseen Makita-huoltopisteeseen.

- Laikan suojus
- Sisälaippa
- Keskeistä ohennetut laikat
- Lukkomutteri (keskeistä ohennettuihin laikkoihin)
- Kumityyny
- Hiomalaikat
- Lukkomutteri (hiomalaikkoihin)
- Lukkomutteriavain
- Katkaisulaippa
- Sisälaippa (katkaisulaippoihin)
- Ulkolaippa (katkaisulaippoihin)
- Kartiomainen teräsharja
- Sivukahva
- Pölyä keräävä laikan suojus

LATVIEŠU

Kopskata skaidrojums

1-1. Vārpstas bloķētājs	6-4. Svira	11-2. Ārējais atloks 78
2-1. Dzinēja korpus	7-1. Uzgrieznis	11-3. Griezējripa
2-2. Fiksācijas poga	8-1. Kontruzgrieznis	11-4. Iekšējais atloks 78
2-3. Rokturis	8-2. Slīprija ar ieliektu centru	11-5. Ripas aizsargs ar putekļu savācēju
3-1. Slēdža mēlīte	8-3. Virsatloks	13-1. Izplūdes atvere
3-2. Bloķēšanas svira	8-4. Iekšējais atloks	13-2. Ieplūdes atvere
5-1. Slīpriņas aizsargs	9-1. Kontruzgrieznis	14-1. Kolektors
5-2. Skrūve	9-2. Slīprija ar ieliektu centru	14-2. Izolācijas uzgalis
5-3. Gultņa ieliktnis	9-3. Iekšējais atloks	14-3. Ogles suka
6-1. Gultņa ieliktnis	10-1. Kontruzgriezņa atslēga	15-1. Sukas turekļa vāks
6-2. Slīpriņas aizsargs	10-2. Vārpstas bloķētājs	15-2. Skrūvgriezis
6-3. Uzgrieznis	11-1. Kontruzgrieznis	

SPECIFIKĀCIJAS

Modelis	GA7030/GA7030F GA7030S/GA7030SF	GA7040S/GA7040SF	GA9030/GA9030F GA9030S/GA9030SF	GA9040S/GA9040SF
Slīpriņas ar ieliektu centru diametrs	180 mm		230 mm	
Vārpstas vītne	M14		M14	
Apgrīzieni minūtē bez slodzes (min ⁻¹)	8 500		6 600	
Bendrais ilgis	511 mm		511 mm	
Neto svars	5,1 kg	5,5 kg	5,1 kg	5,5 kg
Drošības klase	II/II			

- Dēļ mūsu nepārtrauktās pētniecības un izstrādes programmas, šeit dotās specifikācijas var mainīties bez brīdinājuma.
- Piezīme: Atkarība no valsts specifikācijas var atšķirties.

END202-2

ENF002-1

Simboli

Zemāk ir attēloti simboli, kas attiecas uz iekārtu. Pirms darbarīka izmantošanas pārlicinieties, vai pareizi izprotat to nozīmi.



- Izlasiet rokasgrāmatu.



- DUBULTA IZOLĀCIJA



- Lietojiet aizsargbrilles.



- Tikai ES dalībvalstīm
Neizmetiet elektriskās iekārtas kopā ar mājturības atkritumiem!
Saskaņā ar Eiropas Direktīvas par utilizējamo elektrisko un elektronisko aparāturu 2002/96/EC prasībām un tās īstenošanu saskaņā ar nacionālo likumdošanu, elektriskās iekārtas to kalpošanas laikā beigās ir jāsavāc atsevišķi no citiem atkritumiem un jānogādā atbilstošajā utilizācijas centrā.
ENE048-1

Paredzētā lietošana

Šis darbarīks ir paredzēts metāla un akmeņu slīpēšanai, nolīdzināšanai un griešanai bez ūdens izmantošanas.

Barošana

Šo instrumentu jāpieslēdz tikai datu plāksnītē uzrādītā sprieguma barošanas avotam; to iespējams darbināt tikai ar vienfāzes maiņstrāvas barošanu. Tiem ir divkārsā izolācija saskaņā ar Eiropas standartu, tāpēc tos var izmantot bez zemējuma.

ENF100-1

Ir paredzēts barošanai no zemsprieguma elektrības tīkliem ar spriegumu no 220 V līdz 250 V.

Ieslēdzot elektriskās ierīces rodas sprieguma fluktuācija. Šīs ierīces darbināšana nelabvēlīgajos elektropadeves apstākļos var pasliktināt citu iekārtu darbību. Ja barošanas tīkla pilnā pretestība ir mazāka par 0.23 Omiem, var uzskatīt, ka negatīvu efektu nebūs. Elektrotīkla kontaktligzdai, kurai ir pievienota šī ierīce, jābūt aizsargātai ar drošinātāju vai slēgiekārtu ar iedarbošanās aizkavi.

Modelim

GA7030, GA7030F, GA7030S, GA7030SF, GA9040S, GA9040

ENG021-1

Tikai Eiropas valstīm Troksnis un vibrācija

Tipiskie A-svērtie trokšņa līmeņi ir skaņas spiediena līmenis: 89 dB (A)
skaņas jaudas līmenis: 102 dB (A)

Lietojiet ausu aizsargus.

Tipiskā vidējā svērtā kvadrātiskā paštrinājuma vērtība

nepārsniedz 2,5 m/s².

Šīs vērtības ir iegūtas saskaņā ar LVS EN 50144.

Modelim GA9030,GA9030F,GA9030S,GA9030SF

ENG021-1

Tikai Eiropas valstīm

Troksnis un vibrācija

Tipiskie A-svērtie trokšņa līmeņi ir skaņas spiediena līmenis: 91 dB (A)
skaņas jaudas līmenis: 104 dB (A)

Lietojiet ausu aizsargus.

Tipiskā vidējā svērtā kvadrātiskā paātrinājuma vērtība nepārsniedz 2,5 m/s².

Šīs vērtības ir iegūtas saskaņā ar LVS EN 50144.

Modelim GA7040S,GA7040SF

ENG021-1

Tikai Eiropas valstīm

Troksnis un vibrācija

Tipiskie A-svērtie trokšņa līmeņi ir skaņas spiediena līmenis: 90 dB (A)
skaņas jaudas līmenis: 103 dB (A)

Lietojiet ausu aizsargus.

Tipiskā vidējā svērtā kvadrātiskā paātrinājuma vērtība nepārsniedz 2,5 m/s².

Šīs vērtības ir iegūtas saskaņā ar LVS EN 50144.

ENH001-6

EK ATBILSTĪBAS DEKLARĀCIJA

Ar pilnu atbildību mēs paziņojam, ka šis izstrādājums atbilst šādām normām un normatīvajiem dokumentiem, EN50144, EN55014, EN61000 atbilstoši Padomes direktīvām, 89/336/EEC, 98/37/EC.

Yasuhiko Kanzaki **CE2006**



000087

Direktors

MAKITA INTERNATIONAL EUROPE LTD.

Michigan Drive, Tongwell, Milton Keynes, Bucks MK15 8JD, ANGLIJA

Atbildīgais ražotājs:

Makita Corporation Anjo Aichi Japan

ENB031-6

PAPILDUS DROŠĪBAS NOTEIKUMI

1. Vienmēr izmantojiet līdzekļus acu un ausu aizsardzībai. Jālieto arī citi individuālās aizsardzības līdzekļi, piemēram, putekļu maska, ķivere un priekšauts.
2. Vienmēr pirms darbarīka remontēšanas vai apkopes pārliecinieties, vai tas ir izslēgts un atvienots no elektriskā tīkla.
3. Nodrošiniet, lai aizsargierīces būtu tām paredzētajās vietās.
4. |Lietojiet tikai pareiza izmēra slīpripas un tādas slīpripas, kuru maksimālais darba ātrums nav mazāks par uz darbarīka plāksnītes norādītā maksimālā ātruma bez slodzes. Slīpripu ar

ieliektu centru lietošanas gadījumā izmantojiet tikai ar stikla šķiedru pastiprinātas slīpripas.

5. Pirms darba veikšanas uzmanīgi pārbaudiet, vai slīpripām nav plaisu vai bojājumu. Ieplaisājūšas vai bojātas slīpripas nekavējoties nomainiet.
6. Ievērojiet ražotāja norādījumus slīpripu pareizai montāžai un lietošanai. Apejieties ar slīpripām uzmanīgi un uzglabājiet tās saudzīgi.
7. Neizmantojiet atsevišķus pārejas ieliktņus vai adapterus, lai pielāgotu abrazīvās slīpripas ar liela diametra atveri.
8. Izmantojiet tikai šim darbarīkam paredzētus atlokus.
9. Sargiet no bojājuma vārpstu, atloku (it īpaši uzstādīšanas virsmu) un kontružgriezni. Šo daļu bojājums var izraisīt slīpripas sagrūšanu.
10. Darbarīkiem, kuri paredzēti lietošanai ar vītņotu slīpripu, pārliecinieties, ka slīpripas vītnes garums atbilst vārpstas garumam.
11. Pirms darbarīka lietošanas paredzētajā darba vietā, darbiniet to drošā pozīcijā ar maksimālo ātrumu bez slodzes vismaz 30 sekundes. Darbarīka vibrācijas vai svārstīšanās gadījumā nekavējoties apturiet to, jo tas var liecināt par slīpripas sliktu uzstādīšanu vai slikti līdzsvarotu slīpripu. Pārbaudiet darbarīku, lai noteiktu kļūmes iemeslu.
12. Pārbaudiet, vai apstrādājamā detaļa ir pienācīgi atbalstīta.
13. Turiet darbarīku stingri.
14. Turiet rokas tālu no rotējošām daļām.
15. Pārliecinieties, ka slīpripa nepieš apstrādājamai virsmai pirms slēdža ieslēgšanas.
16. Lai veiktu slīpēšanu, izmantojiet tam paredzēto slīpripas virsmu.
17. Neizmantojiet griezējripu sānu slīpēšanai.
18. Sargieties no dzirkstelēm. Turiet darbarīku tā, lai novirzītu dzirksteles cilvēkiem un viegli uzliesmojošiem materiāliem pretējā virzienā.
19. Nemiet vērā to, ka slīpripa turpina griezties arī pēc darbarīka izslēgšanas.
20. Neskarieties pie apstrādājamas detaļas tūlīt pēc darba izpildes; tā var būt ārkārtīgi karsta un var apdedzināt ādu.
21. Izvietojiet darbarīku tā, lai borošanas vads darba laikā vienmēr atrastos aiz darbarīka.
22. Ja darba vietā ir augsta temperatūra un liels mitrums, vai tā ir stipri piesārņota ar vadītspējīgiem putekļiem, izmantojiet īssavienojuma pārtraucēju (30 mA), lai garantētu operatora drošību.
23. Neizmantojiet instrumentu darbam ar jebkādiem materiāliem, kuri satur azbestu.
24. Neizmantojiet ūdeni vai slīpēšanas ziežvielu.
25. Strādājot putekļainā vidē, nodrošiniet, lai

ventilācijas atveres būtu tīras. Ja nepieciešams iztīrīt putekļus, vispirms atvienojiet instrumentu no barošanas tīkla (tīrīšanai izmantojiet nemetāliskas pierīces) un izvairieties no iekšējo daļu bojājuma.

26. Griezējripas lietošanas gadījumā vienmēr izmantojiet ripas aizsargu ar putekļu savācēju, jo to prasa vietēja likumdošana.
27. Griezējripas nedrīkst pakļaut jebkura veida sānu spiedienam.

SAGLABĀJIET ŠOS NORĀDĪJUMUS.

FUNKCIJU APRAKSTS

⚠UZMANĪBU:

- Pirms regulējāt vai pārbaudāt instrumenta darbību, vienmēr pārlicinieties, vai instruments ir izslēgts un atvienots no barošanas.

Vārpstas bloķētājs

Att.1

⚠UZMANĪBU:

- Nekad neieslēdziet vārpstas bloķētāju kamēr vārpsta griežas. Tas var sabojāt darbarīku.

Nospiediet vārpstas bloķētāju, lai novērstu vārpstas rotāciju piederumu uzstādīšanas vai noņemšanas laikā.

Slēdža roktura uzstādīšanas pozīcijas

Att.2

Slēdža rokturi var pagriezt par 90° pa kreisi vai pa labi, lai pielāgotu to jūsu darba vajadzībām. Sākumā atvienojiet darbarīku no elektroītīkla. Nospiediet bloķēšanas pogu un grieziet slēdža rokturi uz kreiso vai labo pusi līdz galam. Slēdža rokturis būs nobloķēts šajā stāvoklī.

⚠UZMANĪBU:

- Pirms darbarīka izmantošanas vienmēr pārbaudiet, vai slēdža rokturis ir nobloķēts vēlamajā stāvoklī.

Slēdža darbība

Att.3

⚠UZMANĪBU:

- Pirms instrumenta pieslēgšanas vienmēr pārbaudiet, vai slēdža mēlīte darbojas pareizi un atgriežas izslēgtā stāvoklī, kad tiek atlaista.

Darbarīkam ar pārslēgta bloķēšanu ieslēgtajā stāvoklī

Lai iedarbinātu darbarīku, vienkārši pavelciet slēdža mēlīti (B virzienā). Lai apturētu darbarīku, atlaidiet slēdža mēlīti. Lai darbarīks darbotos nepārtraukti, pavelciet slēdža mēlīti (B virzienā) un tad nospiediet bloķēšanas sviru (A virzienā). Lai apturētu darbarīku, kad slēdzis ir bloķēts, pievelciet slēdža mēlīti līdz galam (B virzienā), tad atlaidiet to.

Darbarīkam ar slēdža bloķēšanu izslēgtajā stāvoklī

Lai nepieļautu slēdža mēlītes nejaušu nospiešanu, darbarīks ir aprīkots ar bloķēšanas sviru.

Lai iedarbinātu darbarīku, nospiediet bloķēšanas sviru (A virzienā) un pavelciet slēdža mēlīti (B virzienā). Lai apturētu darbarīku, atlaidiet slēdža mēlīti.

Darbarīkam ar slēdža bloķēšanu gan ieslēgtajā, gan izslēgtajā stāvoklī

Lai nepieļautu slēdža mēlītes nejaušu nospiešanu, darbarīks ir aprīkots ar bloķēšanas sviru.

Lai iedarbinātu darbarīku, nospiediet bloķēšanas sviru (A virzienā) un pavelciet slēdža mēlīti (B virzienā). Lai apturētu darbarīku, atlaidiet slēdža mēlīti.

Lai darbarīks darbotos nepārtraukti, nospiediet bloķēšanas sviru (A virzienā), pavelciet slēdža mēlīti (B virzienā) un pēc tam iespiediet bloķēšanas sviru (A virzienā) vēl tālāk.

Lai apturētu darbarīku, kad slēdzis ir bloķēts, pievelciet slēdža mēlīti līdz galam (B virzienā), tad atlaidiet to.

PIEZĪME:

Modelis GA7030S, GA9030S, GA7040S, GA9040S un GA7030SF. Pēc ieslēgšanas modelis GA9030SF, GA7040SF un GA9040SF sāk darboties ar mazu ātrumu. Šāda laida ieslēgšana nodrošina vienmērīgāku darbību.

MONTĀŽA

⚠UZMANĪBU:

- Vienmēr pārlicinieties, vai instruments ir izslēgts un atvienots no barošanas, pirms veicat jebkādas darbības ar instrumentu.

Sānu roktura uzstādīšana (rokturis)

Att.4

⚠UZMANĪBU:

- Vienmēr pirms darbarīka izmantošanas pārlicinieties, ka sānu rokturis ir droši uzstādīts. Stingri pieskrūvējiet sānu rokturi pie darbarīka, kā parādīts zīmējumā.

Slīpripas aizsarga uzstādīšana un noņemšana

Att.5

⚠UZMANĪBU:

- Slīpripas aizsargs jāuzstāda uz darbarīka tā, lai aizsarga slēgtā daļa vienmēr būtu vēsta operatora virzienā.

Uzstādiet slīpripas aizsargu tā, lai uz tā malas esošais izcilnis sakristu ar gultņa ieliktna ierobu. Tad pagrieziet slīpripas aizsargu par 180 grādiem pretēji pulksteņrādītāja virzienam. Pārlicinieties, ka skrūve ir cieši pievilktā.

Lai noņemtu slīpripas aizsargu, izpildiet augstāk aprakstīto uzstādīšanas procedūru apgrieztā secībā.

Slīpripas aizsarga (piederums) uzstādīšana vai noņemšana

Att.6

Att.7

▲UZMANĪBU:

- Slīpripas aizsargs jāuzstāda uz darbarīka tā, lai aizsarga slēgtā daļa vienmēr būtu vērsta operatora virzienā.

Atslābiniet slīpripas aizsarga sviru. Uzstādiat slīpripas aizsargu tā, lai uz tā malas esošais izcilnis sakristu ar gultņa ieliktna ierobu. Tad pagrieziet slīpripas aizsargu līdz zīmējumā attēlotajai pozīcijai. Pievelciet sviru, lai nostiprinātu slīpripas aizsargu. Ja svira ir pārāk cieši pievilktā vai ir pārāk vaļīga un ar tās palīdzību nevar nostiprināt slīpripas aizsargu, atskrūvējiet vai pieskrūvējiet uzgriezni, lai noregulētu slīpripas aizsarga malas pievilksanu.

Lai noņemtu slīpripas aizsargu, izpildiet augstāk aprakstīto uzstādīšanas procedūru apgrieztā secībā.

Slīpripas ar ieliktu centru/Multi-disc (piederums) uzstādīšana un noņemšana

Att.8

Uzstādiat uz vārpstas iekšējo atloku. Novietojiet slīpripu virs iekšējā atloka un pieskrūvējiet kontruzgriezni uz vārpstas.

Virsatloks

Modeļa GA7030F, GA7030SF, GA7040F, GA7040SF, GA9030F, 9030SF, GA9040F un GA9040SF standartaprīkojumā ietilpst virsatloks. Saīdzinot ar parasto tipu, kontruzgriezni iespējams noņemt 3 reiz vieglāk.

Austrālijai un Jaunzēlandei

Att.9

Uzstādiat uz vārpstas iekšējo atloku. Novietojiet slīpripu virs iekšējā atloka un pieskrūvējiet kontruzgriezni tā, lai tā izcilnis būtu vērsts lejup (proti, uz slīpripas pusi).

Lai pievilktu kontruzgriezni, stingri nospiediet vārpstas bloķētāju, lai vārpsta nevarētu griezties, pēc tam ar kontruzgriežņa atslēgas palīdzību labi pievelciet to pulksteņrādītāja virzienā.

Att.10

Lai noņemtu slīpripu, izpildiet augstāk aprakstīto uzstādīšanas procedūru apgrieztā secībā.

Griezējripas uzstādīšana un noņemšana

Austrālijai un Jaunzēlandei

Att.11

Uzstādiat uz vārpstas iekšējo atloku. Novietojiet griezējripu virs iekšējā atloka.

Uzstādiat uz griezējripas ārējo atloku un pieskrūvējiet kontruzgriezni tā, lai tā izcilnis būtu vērsts lejup (proti, uz griezējripas pusi).

Lai pievilktu kontruzgriezni, stingri nospiediet vārpstas bloķētāju, lai vārpsta nevarētu griezties, pēc tam ar kontruzgriežņa atslēgas palīdzību labi pievelciet to pulksteņrādītāja virzienā.

Lai noņemtu slīpripu, izpildiet augstāk aprakstīto uzstādīšanas procedūru apgrieztā secībā.

EKSPLUATĀCIJA

▲BRĪDINĀJUMS:

- Strādājot ar darbarīku nekad nepielietojiet pārmērīgu spēku. Darbarīka svars rada pietiekošu spiedienu. Pārmērīgs spēks vai spiediens uz darbarīka var izraisīt ripas sagrūšanu, kas ir ļoti bīstami.
- VIENMĒR mainiet ripu, ja slīpēšanas laikā darbarīks nokrita.
- NEKAD nesitiet slīpripu pret apstrādājamo virsmu.
- Izvairieties no ripas lēkāšanas un sadursmes ar šķēršļiem, it īpaši stūru, asu malu utt. apstrādes laikā. Tas var izraisīt kontroles zaudēšanu un atsitieni.
- NEKAD nelietojiet darbarīku ar koka griešanas asmeņiem un citām zāģa plātnēm. Izmantojot šādas plātnes uz slīpmašīnām bieži rodas atsitieni, kuri izraisa kontroles zaudēšanu un traumu gūšanu.

▲UZMANĪBU:

- Nekad neieslēdziet darbarīku, kamēr tas piess apstrādājamai virsmai, jo tas var novest pie traumas gūšanas.
- Darba laikā vienmēr lietojiet aizsargbrilles vai sejas aizsargmasku.
- Pēc darba pabeigšanas vienmēr slēdziet darbarīku ārā un uzgaidiet, kamēr ripa pilnīgi apstāties pirms nolieciet darbarīku.

Slīpēšana un nolīdzināšana

VIENMĒR stingri turiet darbarīku ar vienu roku aiz aizmugurējo rokturi un ar otru aiz sānu roktura. Ieslēdziet darbarīku un sāciet apstrādāt detaļu ar slīpripas vai diska palīdzību.

Turiet slīpripas vai diska malu apmēram 15 grādu leņķī pret apstrādājamo virsmu.

Uzsākot darbu ar jaunu slīpripu, nestrādājiet ar darbarīku B virzienā, citādi tas var ieurbties apstrādājamajā detaļā. Kad slīpripas mala lietošanas gaitā ir noapaļota, slīpripu var izmantot darbam abos - A un B virzienos.

Att.12

APKOPE

▲UZMANĪBU:

- Pirms veicat pārbaudi vai apkopi vienmēr pārļiecinieties, vai instruments ir izslēgts un atvienots no barošanas.

Darbarīkam un tā ieplūdes un izplūdes atverēm jābūt tīriem. Regulāri tīriet darbarīka gaisa atveres, kā arī visos tajos gadījumos, kad atveres aizsprostojas.

Att.13

Ogles suku nomaiņa

Att.14

Kad ogles sukā esošais sveķu izolācijas uzgalis iziet ārā un pieskaras kolektoram, dzinējs automātiski izslēdzas. Kad tas notiek, ir jānomaina abas ogles sukas. Turiet ogles sukas tīras un pārbaudiet, vai tās var brīvi ieiet turekļos. Abas ogles sukas ir jānomaina vienlaikus. Izmantojiet tikai identiskas ogles sukas.

Noņemiet sukas turekļa vāciņus ar skrūvgrieža palīdzību. Iznemiet nolietoto ogles sukas, ievietojiet jaunas un nostipriniet sukas turekļa vāciņus.

Att.15

Lai saglabātu produkta DROŠU un UZTICAMU darbību, remontdarbus, apkopi un regulēšanu uzticiet veikt tikai Makita pilnvarotam apkopes centram un vienmēr izmantojiet tikai Makita rezerves daļas.

PIEDERUMI

UZMANĪBU:

- Šādi piederumi un rīki tiek ieteikti lietošanai ar šajā pamācībā aprakstīto Makita instrumentu. Jebkādu citu piederumu un rīku izmantošana var radīt traumu briesmas. Piederumu vai rīku izmantojiet tikai tā paredzētajam mērķim.

Ja jums vajadzīga palīdzība vai precīzāka informācija par šiem piederumiem, vērsieties savā tuvākajā Makita apkopes centrā.

- Slīpriņas aizsargs (Slīpriņas vāks)
- Iekšējais atloks
- Slīpriņas ar ieliektu centru
- Kontruzgrieznis (slīpriņai ar ieliektu centru)
- Gumijas starplika
- Abrazīvas ripas
- Kontruzgrieznis (abrazīvai ripai)
- Kontruzgriezņa atslēga
- Griezējriņas
- Iekšējais atloks (griezējriņai)
- Ārējais atloks (griezējriņai)
- Kausveida stieplu suka
- Sānu rokturis
- Ripas aizsargs ar putekļu savācēju

Bendrasis aprašymas

1-1. Ašies fiksatorius	6-4. Svirtelė	11-2. Išorinė jungė 78
2-1. Variklio korpusas	7-1. Veržlė	11-3. Nupjovimo diskas
2-2. Fiksuojamasis mygtukas	8-1. Fiksavimo galvutė	11-4. Vidinė jungė 78
2-3. Rankena	8-2. Nuspaustas centrinis diskas	11-5. Dulkes renkantis disko saugiklis
3-1. Jungiklio spraktukas	8-3. Super jungė	13-1. Oro išmetimo anga
3-2. Fiksavimo svirtelė	8-4. Vidinis kraštas	13-2. Oro įtraukimo anga
5-1. Disko saugiklis	9-1. Fiksavimo galvutė	14-1. Srovės keitiklis
5-2. Sraigtas	9-2. Nuspaustas centrinis diskas	14-2. Izoliacinis galiukas
5-3. Guoliai	9-3. Vidinis kraštas	14-3. Anglinis šepetėlis
6-1. Guoliai	10-1. Fiksavimo galvutės raktas	15-1. Šepetėlio laikiklio dangtelis
6-2. Disko saugiklis	10-2. Ašies fiksatorius	15-2. Atsuktuvus
6-3. Veržlė	11-1. Fiksavimo galvutė	

SPECIFIKACIJOS

Modelis	GA7030/GA7030F GA7030S/GA7030SF	GA7040S/GA7040SF	GA9030/GA9030F GA9030S/GA9030SF	GA9040S/GA9040SF
Nuspausto centrinio disko skersmuo	180 mm		230 mm	
Veleno sriegis	M14		M14	
Greitis be apkrovos (min. ⁻¹)	8 500		6 600	
Kopėjais garums	511 mm		511 mm	
Grynasis svoris	5,1 kg	5,5 kg	5,1 kg	5,5 kg
Saugos klasė	II/II			

• Atliekame nepertraukiamus tyrimus ir nuolat tobuliname savo gaminius, todėl čia pateikiamos specifikacijos gali būti keičiamos be išpėjimo.

• Pastaba: įvairiose šalyse specifikacijos gali skirtis.

ENF202-2

ENF100-1

Simboliai

Žemiau yra nurodyti įrangai naudojami simboliai. Prieš naudodami įsitinkite, kad suprantate jų reikšmę.



• Skaitykite instrukciją.



• DVIŪBŪ IZOLIACIJA



• Dėvėkite apsauginius akinius.



• Tik ES šalims
Neišmeskite elektrinės įrangos kartu su buitinėmis šiukšlėmis!

Pagal Europos Direktyvą 2002/96/EC dėl elektros ir elektroninės įrangos atliekų ir jos vykdymą pagal vietinius įstatymus, elektrinė įranga, pasibaigus jos eksploatacijos laikui, turi būti atskirai surenkama ir nusiųsta į ekologiškai suderinamą perdirbimo gamyklą.

ENE048-1

Naudojimo paskirtis

Įrankis yra skirtas šlifuoti, šlifuoti šlifavimo popieriumi, metalui ir akmeniui pjauti nenaudojant vandens.

Elektros energijos tiekimas

Įrenginiui turi būti tiekiamas tokios įtampos elektros energija, kaip nurodyta duomenų lentelėje; įrenginys veikia tik su vienfazė kintamąja srove. Visi įrenginiai turi dvigubą izoliaciją, kaip reikalauja Europos standartas, todėl juos galima jungti į elektros lizdą neįžemintus.

ENF100-1

Skirtas viešosioms skirstomosioms žemos įtampos sistemoms tarp 220 V ir 250 V.

Elektrinių įrenginių įjungimas sukelia įtampos svyravimus. Šio įrenginio naudojimas nepalankiomis elektros tinklo sąlygomis gali daryti įtaką kitos įrangos darbui. Kai pilnutinė įėjimo varža yra lygi ar mažesnė negu 0,23 omų, galima manyti, kad nebus jokio neigiamo poveikio. Šiam įrankiui naudojamas elektros tinklo lizdas turi būti apsaugotas saugikliu arba apsauginiu grandinės nutraukikliu su lėto suveikimo charakteristika.

Modeliui

GA7030, GA7030F, GA7030S, GA7030SF, GA9040S, GA9040

ENG021-1

Tik Europos šalims**Triukšmas ir vibracija**

Būdingieji A-svoriniai triukšmų lygiai yra garso slėgio lygis: 89 dB (A)

garso galios lygis: 102 dB (A)

Dėvėkite ausų apsaugą.

Būdingasis svertinis kvadratinis vidurkio pagreitis neviršija 2,5 m/s².

Šios vertės buvo gautos pagal EN50144 standartą.

Modeliui GA9030,GA9030F,GA9030S,GA9030SF

ENHG021-1

Tik Europos šalims

Triukšmas ir vibracija

Būdingieji A-svoriniai triukšmų lygiai yra

garso slėgio lygis: 91 dB (A)

garso galios lygis: 104 dB (A)

Dėvėkite ausų apsaugą.

Būdingasis svertinis kvadratinis vidurkio pagreitis neviršija 2,5 m/s².

Šios vertės buvo gautos pagal EN50144 standartą.

Modeliui GA7040S,GA7040SF

ENHG021-1

Tik Europos šalims

Triukšmas ir vibracija

Būdingieji A-svoriniai triukšmų lygiai yra

garso slėgio lygis: 90 dB (A)

garso galios lygis: 103 dB (A)

Dėvėkite ausų apsaugą.

Būdingasis svertinis kvadratinis vidurkio pagreitis neviršija 2,5 m/s².

Šios vertės buvo gautos pagal EN50144 standartą.

ENH001-6

ES ATITIKIMO DEKLARACIJA

Mes atsakingai tvirtiname, kad šis gaminytis atitinka žemiau nurodytus standartizuotų dokumentų reikalavimus;

EN50144, EN55014, EN61000 pagal Tarybos direktyvos, 89/336/EEC, 98/37/EC.

Yasuhiko Kanzaki **CE2006**

000087

Direktorius

MAKITA INTERNATIONAL EUROPE LTD.

Michigan Drive, Tongwell, Milton Keynes, Bucks MK15 8JD, ENGLAND / Anglija

Atsakingasis gamintojas:

Makita Corporation Anjo Aichi Japan

ENB031-6

PAPILDOMOS SAUGOS TAISYKLĖS

1. Visuomet naudokite akių ir ausų apsaugą. Reikėtų dėvėti ir kitas asmenines apsaugines priemones, pavyzdžiui, kaukę nuo dulkių, pirštines, šalną ir prijuostę.
2. Prieš ką nors darydami su įrankiu, visada patikrinkite, ar jis išjungtas, o laido kištukas - ištrauktas iš elektros lizdo.
3. Laikykite saugiklius jų vietoje.
4. Naudokite tik teisingo dydžio diskus, kurių

didžiausias naudojimo greitis yra ne mažesnis negu didžiausias naudojimo greitis be apkrovos, nurodytas ant įrankio vardinės plokštelės. Kai naudojate nuspaustus centrinius diskus, naudokite tik stiklo pluoštu sustiprintus diskus.

5. Prieš naudodami patikrinkite diską, ar nėra įtrūkimų ar pažeidimų. Nedelsdami pakeiskite įtrūkusį arba pažeistą diską.
6. Laikykitės gamintojo nurodymų apie teisingą diskų uždėjimą ir naudojimą. Su diskais elkitės ir juos laikykite rūpestingai.
7. Nenaudokite atskirų mažinimo įvorių arba adapterių, skirtų didelių skylių abrazyviniams diskams uždėti.
8. Naudokite tik šiam įrankiui nurodytas junges.
9. Nepažeidkite veleno, jungės (ypač montavimo paviršiaus) ir fiksavimo galvutės. Dėl šių dalių pažeidimų gali lūžti diskas.
10. Jei naudojate įrankius, kuriems skirti diskai su sriegiu, įsitikinkite, kad sriegis diske yra pakankamai ilgas, kad tiktų veleno ilgis.
11. Prieš naudodami įrankį su ruošiniu, išbandykite įrankį paleisdami jį didžiausiu greičiu be apkrovos bent 30 sekundžių saugioje padėtyje. Stabdykite nedelsiant, jei yra bet kokia vibracija arba klibėjimas, kuris gali rodyti prastą uždėjimą ar blogai subalansuotą diską. Patikrinkite įrankį, kad išsiaiškintumėte priežastį.
12. Patikrinkite, ar ruošinys yra tinkamai palaikomas.
13. Tvirtai laikykite įrankį.
14. Laikykite rankas toliau nuo sukamųjų dalių.
15. Prieš įjungdami jungiklį patikrinkite, ar diskas nesiliečia su ruošiniu.
16. Šlifavimui naudokite nurodyto paviršiaus diską.
17. Nenaudokite pjovimo disko šonams šlifuoti.
18. Saugokitės kibirkščių. Laikykite įrankį taip, kad kibirkštys skristų toliau nuo jūsų ir kitų žmonių arba degių medžiagų.
19. Atkreipkite dėmesį, kad išjungus įrankį diskas toliau sukasi.
20. Nelieskite ruošinio iškart po naudojimo; jis gali būti itin karštas ir nudeginti odą.
21. Padėkite įrankį taip, kad darbo metu maitinimo laidas visuomet liktų užpakalyje.
22. Jei darbo vieta yra ypač karšta ir drėgna, arba labai užteršta laidžiomis dulkėmis, naudokite užtrumpinimo pertraukiklį (30 mA), kad užtikrintumėte naudojimo saugumą.
23. Nenaudokite įrankio su bet kokiomis medžiagomis, kuriose yra asbesto.
24. Nenaudokite vandens ar šlifavimo lubrikanto.
25. Užtikrinkite, kad ventiliacijos angos yra švarios, kai dirbate dulketomis sąlygomis. Jei prireiktų išvalyti dulkes, pirmiausia atjunkite

įrankį nuo elektros tinklo (naudokite nemetalinius daiktus) ir venkite pažeisti vidines dalis.

26. Kai naudojate pjovimo diską, visuomet dirbkite su dulkes renkančia disko apsauga, kurios reikalauja vietinės taisyklės.
27. Pjovimo diskų negalima spausti iš šonų.

SAUGOKITE ŠIAS INSTRUKCIJAS.

VEIKIMO APRAŠYMAS

⚠ DĖMESIO:

- Prieš reguliuodami įrenginį arba tikrindami jo veikimą visada patikrinkite, ar įrenginys išjungtas, o laido kištukas - ištrauktas iš elektros lizdo.

Ašies fiksatorius

Pav.1

⚠ DĖMESIO:

- Niekada nejunkite ašies fiksatoriaus, kai velenas juda. Tokiu būdu galima sugadinti įrankį.

Paspauskite ašies fiksatorių, kad velenas nesisuktų, kai dedate ar nuimate priedus.

Perjungimo rankenos tvirtinimo vietos

Pav.2

Pasukama rankeną galite pasukti 90° į kairę ar dešinę pagal savo poreikius. Pirmiausia atjunkite įrankį nuo elektros tinklo. Spauskite fiksavimo mygtuką ir iki galo pasukite pasukamą rankeną į kairę arba dešinę. Pasukama rankena bus užfiksuota toje padėtyje.

⚠ DĖMESIO:

- Prieš pradėdami darbą, visada įsitinkite, ar pasukama rankena užfiksuota norimoje padėtyje.

Jungiklio veikimas

Pav.3

⚠ DĖMESIO:

- Prieš jungdami įrenginį visada patikrinkite, ar jungiklis gerai įsijungia, o atleistas grįžta į padėtį OFF (išjungta).

Įrankiai su fiksuojamu jungikliu

Norėdami įjungti įrankį, tiesiog paspauskite gaiduką (B kryptimi). Norėdami sustabdyti, atleiskite gaiduką. Norėdami dirbti be sustojimo, patraukite gaidyką (B kryptimi) ir pastumkite fiksavimo svirtį (A kryptimi). Įrankiai sustabdyti iš fiksuotos padėties, paspauskite gaiduką iki galo (B kryptimi), po to atleiskite jį.

Įrankiai su fiksuotai išjungtu jungikliu

Fiksavimo svirtelė yra skirta gaiduko apsaugai nuo atsitiktinių paspaudimų.

Jei norite įjungti įrankį, stumkite fiksavimo svirtelę (A kryptimi), po to patraukite gaiduką (B kryptimi). Norėdami sustabdyti, atleiskite gaiduką.

Įrankiai su fiksuojamu įjungimu ar išjungimu

Fiksavimo svirtelė yra skirta gaiduko apsaugai nuo atsitiktinių paspaudimų.

Jei norite įjungti įrankį, įspauskite fiksavimo svirtį (A kryptimi) ir tada patraukite gaiduką (B kryptimi). Norėdami sustabdyti, atleiskite gaiduką.

Kad įrenginys neišsijungtų, pastumkite fiksavimo svirtį (A kryptimi), patraukite gaiduką (B kryptimi), po to stumkite fiksavimo svirtį (A kryptimi).

Jei norite, kad įrankio gaidukas nebūtų užfiksuotas, paspauskite jį iki galo (B kryptimi) ir atleiskite.

PASTABA:

GA7030S, GA9030S, GA7040S, GA9040S ir GA7030SF modeliai. Įjungus, modeliai GA9030SF, GA7040SF, GA7020SF ir GA9040SF iš pradžių veikia lėtai. Ši švelnaus paleidimo funkcija užtikrina sklandesnį darbą.

SURINKIMAS

⚠ DĖMESIO:

- Prieš taisydami įrenginį visada patikrinkite, ar jis išjungtas, o laido kištukas - ištrauktas iš elektros lizdo.

Šoninės rankenos montavimas

Pav.4

⚠ DĖMESIO:

- Prieš naudodami visuomet įsitinkite, kad šoninė rankena yra patikimai uždėta.

Prisukite šoninę rankeną patikimai jos vietoje, kaip parodyta paveikslėlyje.

disko saugiklio uždėjimas ir nuėmimas

Pav.5

⚠ DĖMESIO:

- disko saugiklį reikia uždėti ant įrankio taip, kad uždaras saugiklio šonas visuomet būtų nukreiptas link vartotojo.

Uždėkite disko saugiklį su išsikišimu ant rato apsauginės juostos, kad būtų sulgyuotas su įdubimu ties guoliais. Tuomet pasukite disko saugiklį apie 180 laipsnių prieš laikrodžio rodyklę. Būtinai patikimai priveržkite varžtą. Jei norite išimti disko saugiklį, laikykitės montavimo procedūros atvirkščia tvarka.

Disko apsaugos (priedas) uždėjimas ir nuėmimas

Pav.6

Pav.7

⚠ DĖMESIO:

- disko saugiklį reikia uždėti ant įrankio taip, kad uždaras saugiklio šonas visuomet būtų nukreiptas link vartotojo.

Atlaisvinkite svirtelę, esančią ant disko apsaugos. Uždėkite disko apsaugą ant disko apsauginės juostos, kad jos išsikišimas būtų ties įranta, esančia ant guolių dėžės. Tuomet pasukite disko apsaugą į paveikslėlyje parodytą padėtį. Užveržkite svirtelę, kad užvirtintumėte disko apsaugą. Jeigu svirtelė yra per daug arba per mažai užveržta, kad galėtų užvirtinti disko apsaugą, atlaisvinkite arba priveržkite veržlę, kad pareguliuotumėte disko apsauginės juostos užveržimą. Jei norite išimti disko saugiklį, laikykitės montavimo procedūros atvirkščia tvarka.

Šlifavimo disko / Multi disko (priedas) uždėjimas ir nuėmimas

Pav.8

Uždėkite vidinį kraštą ant veleno. Uždėkite diską ant vidinio krašto ir prisukite fiksatoriaus galvutę ant veleno.

Super jungė

Modeliuose GA7030F, GA7030SF, GA7040F, GA7040SF, GA9030F, 9030SF, GA9040F ir GA9040SF standartiškai sumontuota papildoma tarpinė. Fiksavimo veržlei atsukti tereikia tik 1/3 pastangų, palyginus su pastangomis, kurių paprastai reikia įprastai veržlei atsukti.

Australijai ir Naujajai Zelandijai

Pav.9

Uždėkite vidinį kraštą ant veleno. Uždėkite diską ant vidinio krašto ir prisukite fiksatoriaus galvutę su jo išsikišimu žemyn (atsuktą į diską).

Jei norite priveržti fiksavimo galvutę, stipriai paspauskite ašies fiksatorių taip, kad velenas negalėtų sukstis, tada pasinaudokite fiksavimo galvutės raktu ir patikimai priveržkite pagal laikrodžio rodyklę.

Pav.10

Jei norite nuimti diską, laikykitės uždėjimo procedūros atvirkščia tvarka.

Nupjovimo disko uždėjimas ir nuėmimas

Australijai ir Naujajai Zelandijai

Pav.11

Uždėkite vidinį kraštą ant veleno. Uždėkite nupjovimo diską ant vidinio krašto.

Uždėkite išorinę jungę ant disko ir prisukite fiksatoriaus galvutę su jo išsikišimu žemyn (nukreipta į diską).

Jei norite priveržti fiksavimo galvutę, stipriai paspauskite ašies fiksatorių taip, kad velenas negalėtų sukstis, tada pasinaudokite fiksavimo galvutės raktu ir patikimai priveržkite pagal laikrodžio rodyklę.

Jei norite nuimti diską, laikykitės uždėjimo procedūros atvirkščia tvarka.

NAUDOJIMAS

⚠️ ĮSPĖJIMAS:

- Dirbant su įrankiu niekada nereikėtų naudoti jėgos. Įrankio svoris sukelia pakankamą spaudimą. Jėgos naudojimas ir per didelis spaudimas kelia pavojingo disko lūžimo pavojų.
- VISUOMET pakeiskite diską, jei įrankis iškrito šlifavimo metu.
- NIEKADA nedaužykite šlifavimo disko į ruošinį.
- Venkite disko atšokimų ir užkliuvimų, ypač kai apdorojate kampus, aštirus kraštus ir .t. t. Dėl to galima nesuvaldyti įrankio ir jis gali atšokti.
- NIEKADA nenaudokite įrankio su medžio pjovimo ašmenimis ir kitais pjūklais. Tokie ašmenys naudojant su šlifuokliu dažnai atšoka, dėl to nesuvaldomas įrankis ir galima susižeisti.

⚠️ DĖMESIO:

- NIEKADA nejunkite įrankio, kai jis liečiasi su ruošiniu, - įrankio naudotojas gali susižeisti.
- Dirbdami visuomet dėvėkite apsauginius akinius arba veido skydelį.
- Panaudoję įrankį visuomet jį išjunkite ir prieš padėdami įrankį palaukite, kol diskas visiškai sustos.

Šlifavimas ir šlifavimas švitriniu popieriumi

VISUOMET tvirtai laikykite įrankį viena ranka ant galinės rankenos ir kita ant šoninės rankenos. Įjunkite įrankį ir tada diską apdirbkite ruošinį.

Apskritai, laikykite disko kraštą apie 15 laipsnių kampu į ruošinio paviršių.

Naujo disko apšilimo laikotarpiu nedirbkite šlifuotuvu kryptimi B arba jis įpjaus ruošinį. Kai disko kraštas suapvalvėja nuo naudojimo, disku galima dirbti abiem - A ir B - kryptimis.

Pav.12

TECHNINĖ PRIEŽIŪRA

⚠️ DĖMESIO:

- Prieš apžiūrėdami ar taisydami įrenginį visada patikrinkite, ar jis išjungtas, o laido kištukas - ištrauktas iš elektros lizdo.

Prižiūrėkite, kad įrankis ir jo oro angos būtų švarios. Reguliariai išvalykite įrankio oro angas arba kai angos pradeda kimštis.

Pav.13

Anglinių šepetėlių keitimas

Pav.14

Kai guminis izoliacinis galiukas anglinio šepetėlio viduje susiliečia su komutatoriumi, variklis yra automatiškai išjungiamas. Kai tai įvyksta, reikėtų pakeisti abu anglinius šepetėlius. Laikykite anglinius šepetėlius švarius ir laisvai įslenkančius į laikiklius. Abu angliniai šepetėliai turėtų būti keičiami tuo pačiu metu. Naudokite

tik identiškus anglinius šepetėlius.

Jei norite nuimti šepetėlių laikiklių dangtelius, pasinaudokite atsuktuvu. Išimkite sudėvėtus anglinius šepetėlius, įdėkite naujus ir įtvirtinkite šepetėlių laikiklio dangtelį.

Pav.15

Kad gaminys būtų SAUGUS ir PATIKIMAS, jį taisyti, apžiūrėti ar vykdyti bet kokią kitą priežiūrą ar derinimą turi įgaliotasis kompanijos „Makita“ techninės priežiūros centras; reikia naudoti tik kompanijos „Makita“ pagamintas atsargines dalis.

PRIEDAI

⚠ DĖMESIO:

- Su šiame vadove aprašytu įrenginiu „Makita“ rekomenduojama naudoti tik nurodytus priedus ir papildomus įtaisus. Jeigu bus naudojami kitokie priedai ar papildomi įtaisai, gali būti sužaloti žmonės. Priedus arba papildomus įtaisus naudokite tik pagal paskirtį.

Jeigu norite daugiau sužinoti apie tuos priedus, kreipkitės į artimiausią „Makita“ techninės priežiūros centrą.

- Disko saugiklis (disko dangtis)
- Vidinė jungė
- Nuspausti centriniai diskai
- Fiksavimo varžtas (nuspaustam centriniam diskui)
- Guminis pagrindas
- Abrazyviniai diskai
- Fiksavimo varžtas (šlifavimo diskui)
- Fiksavimo galvutės raktas
- Nupjovimo diskai
- Vidinė jungė (nupjovimo diskui)
- Išorinė jungė (nupjovimo diskui)
- Vielinis šepetėlis
- Šoninė rankena
- Dulkes renkantis disko saugiklis

EESTI

Üldvaate selgitus

1-1. Völlilukk	6-4. Hoob	11-2. Välimine flanš 78
2-1. Mootorikere	7-1. Mutter	11-3. Lõikeketas
2-2. Lukustusnupp	8-1. Fiksaatormutter	11-4. Sisemine flanš 78
2-3. Käepide	8-2. Lohkus keskosaga ketas	11-5. Tolmu koguv kettapiire
3-1. Lülitit päästik	8-3. Superflanš	13-1. Väljalaskeventiil
3-2. Lukustushoob	8-4. Sisemine flanš	13-2. Sissetõmbeventiil
5-1. Kettapiire	9-1. Fiksaatormutter	14-1. Kommutaator
5-2. Kruvi	9-2. Lohkus keskosaga ketas	14-2. Isoleerotsak
5-3. Laagriümbris	9-3. Sisemine flanš	14-3. Süsihari
6-1. Laagriümbris	10-1. Fiksaatormutri võti	15-1. Harjahoidiku kate
6-2. Kettapiire	10-2. Völlilukk	15-2. Kruvikeeraja
6-3. Mutter	11-1. Fiksaatormutter	

TEHNILISED ANDMED

Mudel	GA7030/GA7030F GA7030S/GA7030SF	GA7040S/GA7040SF	GA9030/GA9030F GA9030S/GA9030SF	GA9040S/GA9040SF
Lohkus keskosaga ketta diameeter	180 mm		230 mm	
Võlli keermestus	M14		M14	
Ilma koormuseta kiirus (min ⁻¹)	8 500		6 600	
Üldpikkus	511 mm		511 mm	
Netokaal	5,1 kg	5,5 kg	5,1 kg	5,5 kg
Kaitseklass	IP/II			

- Meie jätkuva teadus- ja arendustegevuse programmi tõttu võidakse siin antud tehnilisi andmeid muuta ilma ette teatamata.
- Märkus: Tehnilised andmed võivad olla riigiti erinevad.

END202-2

ENF002-1

Sümbolid

Järgnevalt kirjeldatakse seadmetel kasutatavaid tingimärke. Veenduge, et olete nende tähendusest aru saanud enne seadme kasutamist.



- Lugege kasutusjuhendit.



- KAHEKORDNE ISOLATSIOON



- Kasutage kaitseprille.



- Üksnes EL riikides
Ärge visake elektriseadmeid ära koos majapidamise jäätmetega!
Vastavalt Euroopa Parlamendi ja nõukogu direktiivile 2002/96/EÜ elektri- ja elektroonikaseadmete jäätmete kohta ning selle rakendamisele kooskõlas siseriikliku õigusega, tuleb kasutatud elektriseadmed koguda kokku eraldi ja tagastada keskkonnasõbralikku jäätmete töötlemisega tegelevasse ettevõttesse.

ENE048-1

Kasutuse sihtotstarve

Tööriist on ette nähtud metallide ja kivimaterjali veeta käimiseks, lihvimiseks ja lõikamiseks.

Toide

Tööriista võib ühendada ainult selle andmesildil näidatud pingele vastava pingega toiteallikaga ning seda saab kasutada ainult ühefaasilisel vahelduvvoolutoitel. Tööriist on vastavalt Euroopa standardile kahekordse isolatsiooniga ning seega võib seda kasutada ka ilma maandusjuhtmeta pistikupesaga ühendatult.

ENF100-1

Üldise madalpinge süsteemide 220V ja 250V kohta.

Elektriaparatuuri lülitustoimingud põhjustavad voolu kõikumisi. Käesoleva seadme töö ei ebasobivas vooluvõrgus võivad olla kahjustavad mõjud teiste seadmete tööle. Kui toiteliini näivtakistus on võrdne või väiksem kui 0,23 oomi, võib oletada, et negatiivsed mõjud puuduvad. Käesoleva seadme juures kasutatud toiteliini pesa on kaitstud kaitsme või aeglaselt rakenduva kaitseülilülitiga.

Mudelile

GA7030, GA7030F, GA7030S, GA7030SF, GA9040S, GA9040

ENG021-1

Üksnes Euroopa riikidele

Müra ja vibratsioon

Tüüpiline müra poolt tekitatud helirõhu kaalutud keskmine on: 89 dB (A)
helirõhu tase: 102 dB (A)

Kasutage kõrvakaitsmeid.

Tüüpiline kaalutud ruutkeskmise kiirenduse väärtus ei

ole suurem kui 2,5 m/s².

Need väärtused on vastavuses Euroopa standardiga EN50144.

Mudelile GA9030,GA9030F,GA9030S,GA9030SF

ENG021-1

Üksnes Euroopa riikidele

Müra ja vibratsioon

Tüüpiline müra poolt tekitatud

helirõhu kaalutud keskmine on: 91 dB (A)

helirõhu tase: 104 dB (A)

Kasutage kõrvakaitsmeid.

Tüüpiline kaalutud ruutkeskmise kiirenduse väärtus ei ole suurem kui 2,5 m/s².

Need väärtused on vastavuses Euroopa standardiga EN50144.

Mudelile GA7040S,GA7040SF

ENG021-1

Üksnes Euroopa riikidele

Müra ja vibratsioon

Tüüpiline müra poolt tekitatud

helirõhu kaalutud keskmine on: 90 dB (A)

helirõhu tase: 103 dB (A)

Kasutage kõrvakaitsmeid.

Tüüpiline kaalutud ruutkeskmise kiirenduse väärtus ei ole suurem kui 2,5 m/s².

Need väärtused on vastavuses Euroopa standardiga EN50144.

ENH001-6

EÜ-VASTAVUSDEKLARATSIOON

Allakirjutanud kinnitavad, et käesolev toode vastab järgmistele standarditele või normdokumentidele:

EN50144, EN55014, EN61000 kooskõlas Nõukogu direktiividega 89/336/EMÜ ja 98/37/EÜ.

Yasuhiko Kanzaki **CE2006**

000087

Direktor

MAKITA INTERNATIONAL EUROPE LTD.

Michigan Drive, Tongwell, Milton Keynes, Bucks MK15 8JD, ENGLAND

Vastutav tootja:

Makita Corporation Anjo Aichi Japan

ENB031-6

OHUTUSE LISAEESKIRJAD

1. **Kasutage alati silma- ja kuulmiskaitsmeid.** Vajadusel tuleb kanda teisi individuaalkaitsevahendeid, nagu maski, kindaid, kiivrit ja põlle.
2. Enne seadme hooldamist või reguleerimist veenduge, et tööriist oleks välja lülitatud ja vooluvõrgust lahti ühendatud.
3. Hoidke kaitsmed oma kohal.
4. **Kasutage üksnes õige suurusega lihvketaid ning kettaid, mille maksimaalne töökiirus oleks võrdne või suurem, kui tööriista andmesildile kantud suurim ilma koormuseta**

kiirus. Kui kasutate nõgusa keskosaga ketast, veenduge, et see oleks klaaskiuga tugevdatud.

5. Enne tööle hakkamist kontrollige hoolikalt, kas kettal on mõrasid või vigastusi. Vahtage mõradega või vigastatud ketas viivitamatult uue vastu.
6. Ketta õigeks paigaldamiseks ja kasutamiseks järgige valmistajapoolseid juhendeid. Käsitsege ja ladustage kettaid hoolikalt.
7. Ärge kasutage suureauguliste lihvketaste kinnitamiseks sobituspukse või adaptereid.
8. Kasutage ainult flanše, mis on mõeldud kasutamiseks koos antud tööriistaga.
9. Ärge vigastage võlli, flanši (eriti selle paigalduspinda) või fiksaatormutrit. Nende osade kahjustused võivad põhjustada ketta purunemise.
10. Tööriistade korral, kus kasutatakse keermetatud auguga kettaid, jälgige, et ketta keerme pikkus oleks piisav võllile kinnitamiseks.
11. Enne, kui kasutate tööriista tegelikult töökeskkonnas, testige seda ohutus paigas maksimaalsete koormuseta kiirusega vähemalt 30 sekundi jooksul. Vibratsiooni ja värina korral, mis võib anda märku puudulikust montaažist või halvasti balansseeritud kettast, peatage tööriist viivitamatult. Põhjuste kindlakstegemiseks kontrollige seadet.
12. Kontrollige, kas töödeldav detail on korralikult kinnitatud.
13. Hoidke tööriista kindlalt käes.
14. Hoidke käed eemal pöörlevatest osadest.
15. Veenduge, et lihvketas ei puutuks enne tööriista sisselülitamist vastu töödeldavat detaili.
16. Lihvimist teostage selleks ettenähtud kettapinna osaga.
17. Ärge kasutage löikeketast külg-käimiseks.
18. Olge ettevaatlik lendvate sädemetega. Hoidke seadet nii, et sädemed lendaksid eemale nii teist, kaasinimestest kui ka tuleohtlikest materjalidest.
19. Pöörake tähelepanu asjaolule, et ketas jätkab pöörlemist ka peale tööriista väljalülitamist.
20. Ärge puutuge töödeldavat detaili vahetult peale töötlemist; see võib olla väga kuum ja põhjustada põletushaavu.
21. Töötamisel asetage tööriist alati nii, et toitejuhe jääks tahapoole.
22. Kui töökoht on äärmiselt kuum ja niiske või tugevalt saastatud elektrit juhtiva tolmu, siis tuleb operaatori ohutuse tagamiseks kasutada lühisvoolukaitset (30 mA).
23. Ärge kasutage tööriista asbesti sisaldavate materjalide töötlemiseks.
24. Ärge kasutage vett ega lihvismäärdeid.

25. Tolmustes tingimustes töötamisel kontrollige, et tööriista ventilatsioonivad oleksid vabad. Kui tekkib tolmu eemaldamise vajadus, siis esmalt eemaldage toitejuhe vooluvõrgust. Puhastamisel ärge kasutage metallist vahendeid ja vältige tööriista sisemiste osade vigastamist.
26. Kui töötate löikekettaga, siis kasutage alati tolmuemaldusega ketta kaitset, mis vastab kohalikele eeskirjadele.
27. Löikekettaid ei tohi külgsuunas suruda.

HOIDKE JUHEND ALLES.

FUNKTSIONAALNE KIRJELDUS

⚠️HOIATUS:

- Kandke alati hoolt selle eest, et tööriist oleks enne reguleerimist ja kontrollimist välja lülitatud ja vooluvõrgust lahti ühendatud.

Võllilukk

Joon.1

⚠️HOIATUS:

- Ärge kasutage kunagi võllilukku ajal, mil võll veel liigub. See võib tööriista kahjustada.

Võlli pöörlemise takistamiseks vajutage võllilukku alati, kui paigaldate või eemaldate tarvikuid.

Lülitiga käepideme paigaldamise asendid

Joon.2

Lülitiga käepidet saab pöörata kas 90° vasakule või paremale vastavalt sellele, milline tööasend osutub sobivaimaks. Esmalt lahutage tööriist vooluvõrgust. Vajutage lukustusnuppu ning pöörake lülitiga käepide lõpuni vasakule või paremale. Lülitiga käepide lukustatakse antud asendis.

⚠️HOIATUS:

- Enne töö alustamist veenduge alati, et lülitiga käepide on soovitud asendisse lukustatud.

Lüliti funktsioneerimine

Joon.3

⚠️HOIATUS:

- Kontrollige alati enne tööriista vooluvõrku ühendamist, kas lüliti päästik funktsioneerib nõuetekohaselt ja liigub lahtilaskmisel tagasi väljalülitatud asendisse.

Kinnilukustuse lülitiga tööriista kohta

Tööriista käivitamiseks on vaja lihtsalt lüliti päästikut tõmmata (B suunas). Seiskamiseks vabastage lüliti päästik. Pidevaks tööks tõmmake lüliti päästikut (B suunas) ja vajutage seejärel lukustushoob sisse (A suunas). Lukustatud tööriista seiskamiseks tõmmake lüliti päästik lõpuni (B suunas) ning seejärel vabastage see.

Lahtilukustuse lülitiga tööriista kohta

Selleks, et lüliti päästikut poleks võimalik juhuslikult tõmmata, on tööriistal lukustushoob.

Tööriista käivitamiseks vajutage lukustushoob sisse (A suunas) ja seejärel tõmmake lüliti päästikut (B suunas). Seiskamiseks vabastage lüliti päästik.

Kinni- ja lahtilukustuse lülitiga tööriista kohta

Selleks, et lüliti päästikut poleks võimalik juhuslikult tõmmata, on tööriistal lukustushoob.

Tööriista käivitamiseks vajutage lukustushoob sisse (A suunas) ja seejärel tõmmake lüliti päästikut (B suunas). Seiskamiseks vabastage lüliti päästik.

Pidevaks tööks vajutage lukustushoob sisse (A suunas), tõmmake lüliti päästikut (B suunas) ja vajutage seejärel lukustushoob täies ulatuses sisse (A suunas).

Lukustatud tööriista seiskamiseks tõmmake lüliti päästik lõpuni (B suunas) ning seejärel vabastage see.

MÄRKUS:

Mudelid GA7030S, GA9030S, GA7040S, GA9040S ja GA7030SF, GA9030SF, GA7040SF ja GA9040SF lähevad töölelülitamisel aeglaselt käima. Selline pehme käivituse funktsioon garanteerib sujuvama töö.

KOKKUPANEK

⚠️HOIATUS:

- Kandke alati enne tööriistal mingite tööde teostamist hoolt selle eest, et see oleks välja lülitatud ja vooluvõrgust lahti ühendatud.

Külglkäepideme (käepide) paigaldamine

Joon.4

⚠️HOIATUS:

- Enne tööd kontrollige alati, kas külglkäepide on kindlalt paigaldatud.

Kravige külglkäepide kindlalt oma kohale nii, nagu joonisel näidatud.

Kettapiirde paigaldamine või eemaldamine

Joon.5

⚠️HOIATUS:

- Kettapiire tuleb alati paigaldada tööriista külge selliselt, et piirde lähim külge osutaks alati operaatori suunas.

Paigaldage kettapiire selliselt, et kettapiirde riba eend oleks laagriümbrise sälguga kohakuti. Seejärel pöörake kettapiiret 180 kraadi vastupäeva. Pärast paigaldust pingutage kindlasti kruvi hoolikalt.

Kettapiirde eemaldamiseks, järgige paigaldamise protseduuri vastupidises järjekorras.

Kettapiirde (tarvik) paigaldamine või eemaldamine

Joon.6

Joon.7

△HOIATUS:

- Kettapiire tuleb alati paigaldada tööriista külge selliselt, et piirde lähim külg osutaks alati operaatori suunas.

Vabastage kettapiirde hoob. Paigaldage kettapiire selliselt, et kettapiirde klambri eend oleks laagriümbrise sälguga kohakuti. Seejärel pöörake kettapiiret kuni joonisel näidatud kohani. Pingutage kettapiirde kinnitamiseks hooba. Kui hoob on kettapiirde kinnitamiseks kas liialt pingul või liiga lõdvalt, lõdvendage või pingutage kettapiirde klambri pingutuse reguleerimiseks mutrit.

Kettapiirde eemaldamiseks, järgige paigaldamise protseduuri vastupidises järjekorras.

Lohkus keskosaga käiakettas/Multi-diski (tarvik) paigaldamine või eemaldamine

Joon.8

Paigaldage sisemine flanš völliile. Sobitage ketas sisemisele flanšile ja keerake fiksaatormutter völliile.

Superflanš

Mudelitel GA7030F, GA7030SF, GA7040F, GA7040SF, GA9030F, 9030SF, GA9040F ja GA9040SF on standardvarustuses superflanš. Fiksaatormutri lahtikeeramiseks kulub tavalise mutriga võrreldes 3 korda vähem vaeva.

Austraalia ja Uus-Meremaa tarbijale

Joon.9

Paigaldage sisemine flanš völliile. Sobitage ketas sisemisele flanšile ja keerake fiksaatormutter väljaulatuv osa vaatega alla (esiküljega vastu ketast) völliile.

Fiksaatormutri pingutamiseks suruge tugevalt völli lukustusnuppu nii, et völli ei saaks pöörelda ning pingutage fiksaatormutrit fiksaatormutri jaoks ettenähtud võtmega päripäeva.

Joon.10

Ketta eemaldamiseks, järgige paigaldamise protseduuri vastupidises järjekorras.

Lõikeketta paigaldamine või eemaldamine

Austraalia ja Uus-Meremaa tarbijale

Joon.11

Paigaldage sisemine flanš völliile. Sobitage lõikeketas sisemisele flanšile.

Paigaldage välimine flanš kettale ja keerake fiksaatormutter väljaulatuv osa vaatega alla (esiküljega vastu ketast) völliile.

Fiksaatormutri pingutamiseks suruge tugevalt völli lukustusnuppu nii, et völli ei saaks pöörelda ning pingutage fiksaatormutrit fiksaatormutri jaoks ettenähtud võtmega päripäeva.

Ketta eemaldamiseks, järgige paigaldamise protseduuri vastupidises järjekorras.

TÖÖRIISTA KASUTAMINE

△HOIATUS:

- Ärge kasutage tööriista suhtes kunagi jõudu. Tööriista enda raskus annab piisava surve. Ülemäärane surumine ja surve võivad põhjustada ohtliku ketta purunemise.
- Vahetage ALATI ketas välja siis, kui tööriist on käimise ajal maha kukkunud.
- ÄRGE KUNAGI käiaketast lööge vastu töödeldavat detaili.
- Vältige ketta kinikiilumist ja põrkumist vastu töödeldavat pinda, eriti siis, kui töötate nurkades ja teravate servadega jne. See võib põhjustada ohtlike tagasilööke.
- ÄRGE KUNAGI kasutage tööriista puidu lõikamiseks mõeldud teradega või muude saeteradega. Sellised terad, kui neid kasutada koos käiaga, löövad tihti tagasi ja põhjustavad kontrolli kadumist ja ohtlike vigastusi.

△HOIATUS:

- Ärge kunagi käivitage tööriista, mis on kontaktis töödeldava pinna või detailiga, see võib kaasa tuua ohtlike vigastusi.
- Kandke töö juures alati kaitseprille või näokatet.
- Pärast tööd lülitage tööriist alati välja ja oodake kuni ketas on täielikult seiskunud enne, kui tööriista käest panete.

Käimise ja lihvimise režiim

Hoidke tööriista ALATI kindlalt ühe käega tagumisest käepidemest ja teisega külgkäepidemest. Lülitage tööriist sisse ja seejärel alustage kettaga pinna või detaili töötlemist.

Tavaliselt hoidke ketta serva töödeldava pinna suhtes ca 15 kraadise nurga all.

Uue ketta sissetöötamisperioodil ärge töötage käiaga suunas B; vastasel juhul lõikub ketas töödeldavas pinda. Kui ketta serv on töö käigus ümardunud, võib ketast kasutada mõlemas nii A kui ka B suunas.

Joon.12

HOOLDUS

△HOIATUS:

- Kandke alati enne kontroll- või hooldustoimingute teostamist hoolt selle eest, et tööriist oleks välja lülitatud ja vooluvõrgust lahti ühendatud.

Tööriist ja selle ventilatsioonivahendid peavad olema puhtad. Puhastage tööriista ventilatsioonivahendid regulaarselt või siis, kui need hakkavad ummistuma.

Joon.13

Süsiharjade asendamine

Joon.14

Kui süsiharja sisemine vaiguga isoleeritud tipp puutub kokku kommutaatoriga, lülitab see automaatselt mootori välja. Kui see peaks juhtuma, peate mõlemad süsiharjad asendama. Hoidke süsiharjad puhtad, nii on neid lihtne oma hoidikutesse libistada. Mõlemad süsiharjad tuleb asendada korraga. Kasutage ainult identseid süsiharju. Kasutage harjahoidikute kaante eemaldamiseks kruvikeerajat. Võtke ära kulunud süsiharjad välja, paigaldage uued ning kinnitage harjahoidikute kaaned tagasi oma kohale.

Joon.15

Toote OHUTUSE ja TÕÕKINDLUSE tagamiseks tuleb vajalikud remonttööd, muud hooldus- ja reguleerimistööd lasta teha Makita volitatud teeninduskeskustes. Alati tuleb kasutada Makita varuosi.

TARVIKUD

HOIATUS:

- Neid tarvikuid ja lisaseadiseid on soovitatav kasutada koos Makita tööriistaga, mille kasutamist selles kasutusjuhendis kirjeldatakse. Muude tarvikute ja lisaseadiste kasutamisega kaasneb vigastada saamise oht. Kasutage tarvikuid ja lisaseadiseid ainult otstarvetel, milleks need on ette nähtud.

Saate vajadusel kohalikust Makita teeninduskeskusest lisateavet nende tarvikute kohta.

- Kettapiire (kettakate)
- Sisemine flanš
- Nõgusa keskosaga kettad
- Fiksaatormutter (nõgusa keskosaga ketale)
- Kummist tugiketas
- Lihvkettad
- Fiksaatormutter (lihvketale)
- Fiksaatornutri võti
- Lõikekettad
- Sisemine flanš (lõikeketale)
- Välimine flanš (lõikeketale)
- Kausshari
- Külglkäepide
- Tolmu koguv kettapiire

Объяснения общего плана

- | | | |
|---------------------------|------------------------------|---|
| 1-1. Замок вала | 6-4. Рычаг | 11-2. Наружный фланец 78 |
| 2-1. Корпус двигателя | 7-1. Гайка | 11-3. Отрезной диск |
| 2-2. Кнопка блокировки | 8-1. Стопорная гайка | 11-4. Внутренний фланец 78 |
| 2-3. Ручка | 8-2. Диск с вогнутым центром | 11-5. Кожух диска для сбора пыли |
| 3-1. Курковый выключатель | 8-3. Быстрозажимной фланец | 13-1. Вытяжное отверстие |
| 3-2. Рычаг блокировки | 8-4. Внутренний фланец | 13-2. Впускное вентиляционное отверстие |
| 5-1. Ограждение диска | 9-1. Стопорная гайка | 14-1. Коммутатор |
| 5-2. Винт | 9-2. Диск с вогнутым центром | 14-2. Изоляционный наконечник |
| 5-3. Узел подшипника | 9-3. Внутренний фланец | 14-3. Угольная щетка |
| 6-1. Узел подшипника | 10-1. Ключ стопорной гайки | 15-1. Колпачок держателя щетки |
| 6-2. Ограждение диска | 10-2. Замок вала | 15-2. Отвертка |
| 6-3. Гайка | 11-1. Стопорная гайка | |

ТЕХНИЧЕСКИЕ ХАРАКТЕРИСТИКИ

Модель	GA7030/GA7030F GA7030S/GA7030SF	GA7040S/GA7040SF	GA9030/GA9030F GA9030S/GA9030SF	GA9040S/GA9040SF
Диаметр диска с вогнутым центром	180 мм		230 мм	
Резьба шпинделя	M14		M14	
Скорость без нагрузки (об/мин)	8 500		6 600	
Общая длина	511 мм		511 мм	
Вес нетто	5,1 кг	5,5 кг	5,1 кг	5,5 кг
Класс безопасности	II/II			

• Благодаря нашей постоянно действующей программе исследований и разработок, указанные здесь технические характеристики могут быть изменены без предварительного уведомления.

• Примечание: Технические характеристики могут различаться в зависимости от страны.

END202-2

окружающей среды.

ENE048-1

Символы

Ниже приведены символы, используемые для электроинструмента. Перед использованием убедитесь, что вы понимаете их значение.



• Прочитайте руководство пользователя.



• ДВОЙНАЯ ИЗОЛЯЦИЯ



• Одевайте защитные очки.



• Только для стран ЕС
Не утилизируйте данный электроинструмент вместе с бытовыми отходами!

В рамках соблюдения Европейской Директивы 2002/96/ЕС по утилизации электрического и электронного оборудования и ее применения в соответствии с национальным законодательством, электрооборудование в конце срока своей службы должно утилизироваться отдельно и передаваться для его утилизации на предприятие, соответствующее применяемым правилам охраны

Назначение

Инструмент предназначен для шлифовки, зачистки и резки материалов из металла и камня без использования воды.

ENF002-1

Источник питания

Данный инструмент должен подключаться к источнику питания с напряжением, соответствующим напряжению, указанному на идентификационной пластинке, и может работать только от однофазного источника переменного тока. В соответствии с европейским стандартом данный инструмент имеет двойную изоляцию и поэтому может подключаться к розеткам без провода заземления.

ENF100-1

Для низковольтных систем общего пользования напряжением от 220 В до 250 В.

Включение электрического устройства приводит к колебаниям напряжения. Использование данного устройства в неблагоприятных условиях электроснабжения может оказывать негативное влияние на работу другого оборудования. Если полное сопротивление в сети питания равно или менее 0,23 Ом, можно предполагать, что данный инструмент не будет оказывать негативного влияния. Сетевая розетка, используемая для данного

инструмента, должна быть защищена предохранителем или прерывателем цепи с медленным размыканием.

Для модели GA7030, GA7030F, GA7030S, GA7030SF, GA9040S, GA9040

ENG021-1

Только для европейских стран

Шум и вибрация

Типичный взвешенный уровень шума (A) составляет уровень звукового давления: 89 дБ (A)
уровень звуковой мощности: 102 дБ (A)

Используйте средства защиты слуха.

Типичное взвешенное среднеквадратичное значение ускорения составляет не более 2,5 м/сек².

Эти значения были получены в соответствии с EN50144.

Для модели GA9030, GA9030F, GA9030S, GA9030SF

ENG021-1

Только для европейских стран

Шум и вибрация

Типичный взвешенный уровень шума (A) составляет уровень звукового давления: 91 дБ (A)
уровень звуковой мощности: 104 дБ (A)

Используйте средства защиты слуха.

Типичное взвешенное среднеквадратичное значение ускорения составляет не более 2,5 м/сек².

Эти значения были получены в соответствии с EN50144.

Для модели GA7040S, GA7040SF

ENG021-1

Только для европейских стран

Шум и вибрация

Типичный взвешенный уровень шума (A) составляет уровень звукового давления: 90 дБ (A)
уровень звуковой мощности: 103 дБ (A)

Используйте средства защиты слуха.

Типичное взвешенное среднеквадратичное значение ускорения составляет не более 2,5 м/сек².

Эти значения были получены в соответствии с EN50144.

ENH001-6

ДЕКЛАРАЦИЯ О СООТВЕТСТВИИ ЕС

Под нашу собственную ответственность мы заявляем, что данное изделие соответствует следующим стандартам документам стандартизации;
EN50144, EN55014, EN61000 согласно Директивам Совета, 89/336/EEC, 98/37/EC.

Yasuhiko Kanzaki **CE2006**



000087

Директор

MAKITA INTERNATIONAL EUROPE LTD.

Michigan Drive, Tongwell, Milton Keynes, Bucks MK15 8JD, ENGLAND

Ответственный изготовитель:

Makita Corporation Anjo Aichi, Япония

ENB031-6

ДОПОЛНИТЕЛЬНЫЕ ПРАВИЛА ТЕХНИКИ БЕЗОПАСНОСТИ

1. Всегда используйте средства защиты зрения и слуха. Следует также пользоваться другими средствами индивидуальной защиты, такими как пылезащитная маска, перчатки, каска и фартук.
2. Перед выполнением каких-либо работ на инструменте обязательно убедитесь, что он выключен, и его вилка выключена из розетки.
3. Всегда устанавливайте на место ограждения.
4. Используйте диски правильного размера, максимальная рабочая скорость которых, как минимум, соответствует максимальной скорости вращения инструмента без нагрузки, указанной на идентификационной табличке. При использовании дисков с вогнутым центром используйте только диски с упрочением стекловолокном.
5. Перед использованием диска тщательно проверьте его на отсутствие трещин или повреждений. Немедленно заменяйте треснутый или поврежденный диск.
6. Соблюдайте инструкции изготовителя по правильной установке и использованию дисков. Бережно обращайтесь с дисками и аккуратно храните их.
7. Не пользуйтесь отдельными переходными втулками или адаптерами для крепления абразивных дисков с большими отверстиями.
8. Пользуйтесь только фланцами, указанными для этого инструмента.
9. Избегайте повреждения шпинделя, фланца (особенно его установочной поверхности) или стопорной гайки. Повреждения этих деталей могут привести к поломке круга.
10. Для инструментов, предназначенных для использования дисков с резьбовым отверстием, убедитесь, что резьба диска достаточна, чтобы диск можно было полностью завернуть на шпиндель.
11. Перед использованием инструмента непосредственно на требуемой детали дайте инструменту поработать на максимальной скорости без нагрузки в безопасном положении, как минимум, в течение 30 секунд. Немедленно выключите инструмент в случае возникновения вибрации или биения, что может свидетельствовать о неправильной

установке или плохой балансировке диска. Осмотрите инструмент для определения причины.

12. Убедитесь, что обрабатываемая деталь имеет надлежащую опору.
13. Крепко держите инструмент.
14. Руки должны находиться на расстоянии от вращающихся деталей.
15. Перед включением выключателя убедитесь, что диск не касается детали.
16. Для выполнения шлифовки пользуйтесь соответствующей поверхностью диска.
17. Не используйте отрезной диск для боковой шлифовки.
18. Следите за образующимися искрами. Держите инструмент таким образом, что искры были направлены от вас, других лиц или горячих материалов.
19. Обратите внимание на то, что диск будет некоторое время вращаться после выключения инструмента.
20. Сразу после окончания работ не прикасайтесь к обработанной детали. Она может быть очень горячей, что приведет к ожогам кожи.
21. Располагайте инструмент так, чтобы шнур питания при работе всегда находился сзади инструмента.
22. Если в месте выполнения работ очень высокая температура и влажность или в ней содержится большое количество токопроводящей пыли, используйте прерыватель цепи (30 мА) для обеспечения безопасности работ.
23. Не используйте инструмент на любых материалах, содержащих асбест.
24. Не используйте воду или шлифовальную смазку.
25. При работе в запыленных условиях убедитесь, что вентиляционные отверстия не заблокированы. При необходимости выполнения чистки вентиляционных отверстий сначала выключите инструмент из сети (используйте неметаллические предметы) и следите за тем, чтобы не повредить внутренние детали инструмента.
26. При использовании отрезного диска, всегда работайте с предохранительным ограждением диска для сбора пыли, установка которого необходима в соответствии с местными нормативными требованиями.
27. Не подвергайте отрезные круги какому-либо боковому давлению.

СОХРАНИТЕ ДАННЫЕ ИНСТРУКЦИИ.

ОПИСАНИЕ ФУНКЦИОНИРОВАНИЯ

⚠️ ПРЕДУПРЕЖДЕНИ:

- Перед проведением регулировки или проверки работы инструмента всегда проверяйте, что инструмент выключен, а шнур питания вынут из розетки.

Замок вала

Рис.1

⚠️ ПРЕДУПРЕЖДЕНИ:

- Никогда не задействуйте замок вала при вращающемся шпинделе. Это может привести к повреждению инструмента.

Нажмите на замок вала для предотвращения вращения шпинделя при установке или снятии дополнительных принадлежностей.

Положения установки рукоятки переключения

Рис.2

Для удобства работы ручка с выключателем может вращаться влево или вправо на 90°. Сначала отключите инструмент от сети. Затем нажмите на кнопку фиксации и поверните ручку с выключателем влево или вправо до упора. Ручка с выключателем зафиксирована в этом положении.

⚠️ ПРЕДУПРЕЖДЕНИ:

- Перед эксплуатацией всегда проверяйте, что ручка с выключателем зафиксирована в желаемом положении.

Действие переключения

Рис.3

⚠️ ПРЕДУПРЕЖДЕНИ:

- Перед включением инструмента в розетку, всегда проверяйте, что триггерный переключатель работает надлежащим образом и возвращается в положение "ВЫКЛ", если его отпустить.

Для инструмента с блокирующим переключателем

Для включения инструмента достаточно просто нажать на курковый выключатель (в направлении В). Для выключения инструмента отпустите курковый выключатель. Для непрерывной работы инструмента нажмите на курковый выключатель (в направлении В) и затем нажмите на стопорный выключатель (в направлении А). Для отключения фиксированного положения выключателя до конца нажмите на курковый выключатель (в направлении В) и затем отпустите его.

Для инструмента с переключателем без блокировки

Для предотвращения случайного нажатия на инструменте установлен стопорный рычаг.

Для включения инструмента нажмите на стопорный рычаг (в направлении А) и затем нажмите на курковый выключатель (в направлении В). Для выключения инструмента отпустите курковый выключатель.

Для инструмента с переключателем с блокировкой и без блокировки

Для предотвращения случайного нажатия на инструменте установлен стопорный рычаг.

Для включения инструмента нажмите на стопорный рычаг (в направлении А) и затем нажмите на курковый выключатель (в направлении В). Для выключения инструмента отпустите курковый выключатель.

Для непрерывной работы инструмента нажмите на стопорный рычаг (в направлении А), нажмите на курковый выключатель (в направлении В) и затем еще раз нажмите на стопорный рычаг (в направлении А), чтобы еще больше утопить его.

Для отключения фиксированного положения выключателя до конца нажмите на курковый выключатель (в направлении В) и затем отпустите его.

Примечание:

Модели GA7030S, GA9030S, GA7040S, GA9040S, GA7030SF, GA9030SF, GA7040SF и GA9040SF при включении начинают работать на небольших оборотах. Эта функция плавного запуска обеспечивает плавность работы.

МОНТАЖ

⚠ ПРЕДУПРЕЖДЕНИ:

- Перед проведением каких-либо работ с инструментом всегда проверяйте, что инструмент выключен, а шнур питания вынут из розетки.

Установка боковой рукоятки (ручки)

Рис.4

⚠ ПРЕДУПРЕЖДЕНИ:

- Перед работой всегда проверяйте надежность крепления боковой рукоятки.

Прочно закрепите боковую рукоятку на месте, как показано на рисунке.

Установка или снятие кожуха диска

Рис.5

⚠ ПРЕДУПРЕЖДЕНИ:

- Кожух диска необходимо устанавливать на инструмент таким образом, чтобы закрытая сторона кожуха всегда находилась по направлению к оператору.

Установите кожух диска, выровняв выступ на полосе кожуха диска с выемкой в подшипниковой коробке. После этого поверните кожух диска примерно на 180 градусов против часовой стрелки. Обязательно крепко закрутите болт.

Для снятия кожуха диска выполните процедуру установки в обратном порядке.

Установка или снятие ограждения диска (принадлежность)

Рис.6

Рис.7

⚠ ПРЕДУПРЕЖДЕНИ:

- Кожух диска необходимо устанавливать на инструмент таким образом, чтобы закрытая сторона кожуха всегда находилась по направлению к оператору.

Ослабьте рычаг на ограждении диска. Установите ограждение диска так, чтобы паз на хомуте фиксации ограждения совпал с выступом на узле подшипника. Затем поверните ограждение диска по кругу и установите его в положение, показанное на рисунке. Затяните рычаг для фиксации ограждения диска. Если рычаг слишком тугой или слишком слабый для затягивания ограждения диска, ослабьте или затяните гайку для регулировки затяжки хомута ограждения диска.

Для снятия кожуха диска выполните процедуру установки в обратном порядке.

Установка или снятие шлифовального диска с вогнутым центром/Мультидиска (дополнительная принадлежность)

Рис.8

Установите внутренний фланец на шпindel. Наденьте диск/круг на внутренний фланец и вкрутите стопорную гайку на шпindel.

Суперфланец

Модели GA7030F, GA7030SF, GA7040F, GA7040SF, GA9030F, 9030SF, GA9040F и GA9040SF в стандартной комплектации комплектуются быстрозажимным фланцем. По сравнению с обычным типом для откручивания гайки требуется только 1/3 обычного усилия.

Для Австралии и Новой Зеландии

Рис.9

Установите внутренний фланец на шпindel. Установите диск/круг на внутренний фланец и закрутите стопорную гайку выступом вниз (по направлению к диску).

Для затяжки стопорной гайки, сильно надавите на замок вала, чтобы шпindel не проворачивался, затем воспользуйтесь ключом стопорной гайки и крепко затяните ее по часовой стрелке.

Рис.10

Для снятия диска выполните процедуру установки в обратном порядке.

Установка или снятие отрезного диска Для Австралии и Новой Зеландии

Рис.11

Установите внутренний фланец на шпindelь. Установите отрезной диск на внутренний фланец.

Установите внешний фланец на диск и закрутите стопорную гайку выступом вниз (по направлению к диску).

Для затяжки стопорной гайки, сильно надавите на замок вала, чтобы шпindelь не проворачивался, затем воспользуйтесь ключом стопорной гайки и крепко затяните ее по часовой стрелке.

Для снятия диска выполните процедуру установки в обратном порядке.

ЭКСПЛУАТАЦИЯ

⚠ ПРЕДУПРЕЖДЕНИ:

- Никогда не прилагайте к инструменту усилий. Вес инструмента создает адекватное давление. Чрезмерное усилие и давление могут привести к опасному разрушению диска.
- **ВСЕГДА** меняйте диск, если при шлифовании инструмент упал.
- **НИКОГДА** не ударяйте и не бейте шлифовальный диск или круг об обрабатываемую деталь.
- Избегайте подпрыгивания и зацепления диска, особенно при обработке углов, острых краев и т.д. Это может привести к потере управления и отдаче.
- **НИКОГДА** не используйте инструмент с полотнами для резки по дереву и другими пильными дисками. При использовании с шлифовальным инструментом такие полотна часто отскакивают и приводят к потере управления, результатом чего могут быть травмы.

⚠ ПРЕДУПРЕЖДЕНИ:

- Никогда не включайте инструмент, если он касается обрабатываемого изделия. Это может стать причиной травмы оператора.
- Во время выполнения операции всегда надевайте защитные очки или защитную маску.
- После работы всегда отключайте инструмент и дожидайтесь полной остановки диска перед тем, как положить инструмент.

Шлифовка и зачистка

ВСЕГДА крепко держите инструмент одной рукой за заднюю рукоятку, а другой за боковую рукоятку. Включите инструмент и поднесите круг или диск к обрабатываемой детали.

В общем плане, держите край круга или диска под углом примерно в 15 градусов к поверхности обрабатываемой детали.

В период проникновения с использованием нового

диска, не работайте с инструментом в направлении В, иначе он врежется в обрабатываемую деталь. После того, как край диска закрутится по причине использования, диск можно использовать и в направлении А, и в направлении В.

Рис.12

ТЕХОБСЛУЖИВАНИЕ

⚠ ПРЕДУПРЕЖДЕНИ:

- Перед проверкой или проведением техобслуживания всегда проверяйте, что инструмент выключен, а штекер отсоединен от розетки.

Инструмент и его вентиляционные отверстия должны содержаться в чистоте. Производите регулярную очистку вентиляционных отверстий инструмента, или очищайте их в том случае, если отверстия станут засоряться.

Рис.13

Замена угольных щеток

Рис.14

Когда полимерный изоляционный наконечник внутри угольной щетки оголится и соприкоснется с коммутатором, он автоматически отключит двигатель. Когда это произойдет, необходимо заменить обе угольные щетки. Содержите угольные щетки в чистоте и в свободном для скольжения в держателях положении. При замене необходимо менять обе угольные щетки одновременно. Используйте только одинаковые угольные щетки.

Используйте отвертку для снятия крышек щеткодержателей. Извлеките изношенные угольные щетки, вставьте новые и закрутите крышки щеткодержателей.

Рис.15

Для обеспечения **БЕЗОПАСНОСТИ** и **НАДЕЖНОСТИ** оборудования, ремонт, любое другое техобслуживание или регулировку необходимо производить в уполномоченных сервис-центрах Makita, с использованием только сменных частей производства Makita.

ПРИНАДЛЕЖНОСТИ

⚠ ПРЕДУПРЕЖДЕНИ:

- Эти принадлежности или насадки рекомендуются использовать вместе с Вашим инструментом Makita, описанным в данном руководстве. Использование каких-либо других принадлежностей или насадок может представлять опасность получения травм. Используйте принадлежность или насадку только по указанному назначению.

Если Вам необходимо содействие в получении дополнительной информации по этим принадлежностям, свяжитесь со своим местным сервис-центром Makita.

- Кожух диска (крышка диска)
- Внутренний фланец
- Диски с вогнутым центром
- Стопорная гайка (для диска с вогнутым центром)
- Резиновая площадка
- Абразивные диски
- Стопорная гайка (для абразивного диска)
- Ключ стопорной гайки
- Отрезные диски
- Внутренний фланец (для отрезного диска)
- Наружный фланец (для отрезного диска)
- Проволочная круглая щетка
- Боковая ручка
- Кожух диска для сбора пыли

Makita Corporation Anjo, Aichi, Japan