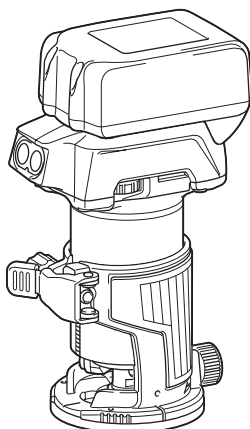




<b>EN</b>	Cordless Trimmer	<b>INSTRUCTION MANUAL</b>	<b>13</b>
<b>SV</b>	Batteridriven kantfräs	<b>BRUKSANVISNING</b>	<b>22</b>
<b>NO</b>	Batteridrevet tilskjæringsmaskin	<b>BRUKSANVISNING</b>	<b>31</b>
<b>FI</b>	Akkukäyttöinen jyrsin	<b>KÄYTTÖOHJE</b>	<b>40</b>
<b>LV</b>	Bezvadu apgriezējmašīna	<b>LIETOŠANAS INSTRUKCIJA</b>	<b>49</b>
<b>LT</b>	Belaidė freza	<b>NAUDOJIMO INSTRUKCIJA</b>	<b>58</b>
<b>ET</b>	Akuga servamismasin	<b>KASUTUSJUHEND</b>	<b>67</b>
<b>RU</b>	Аккумуляторный Триммер	<b>РУКОВОДСТВО ПО ЭКСПЛУАТАЦИИ</b>	<b>76</b>

## DRT50



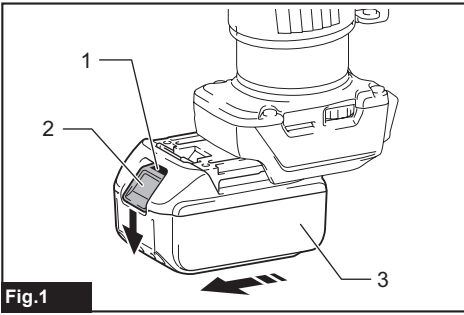


Fig.1

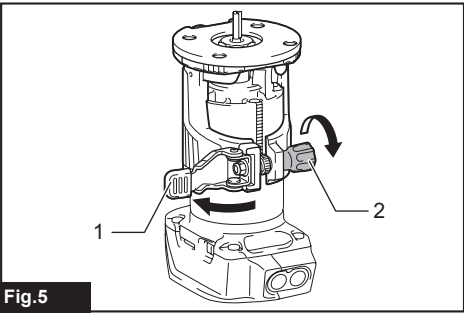


Fig.5

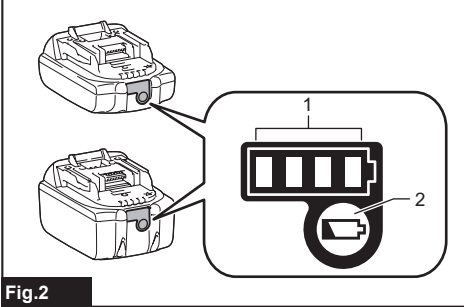


Fig.2

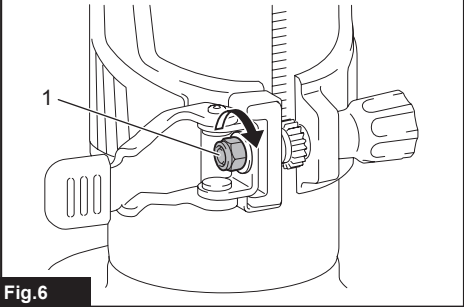


Fig.6

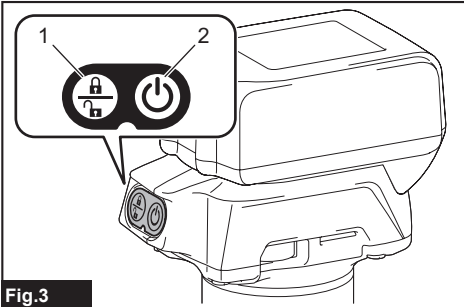


Fig.3

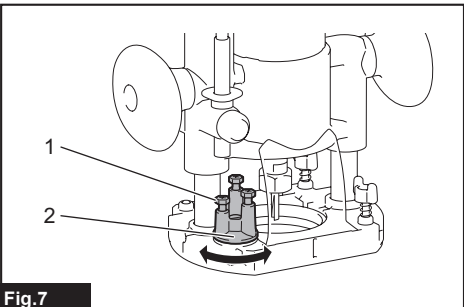


Fig.7

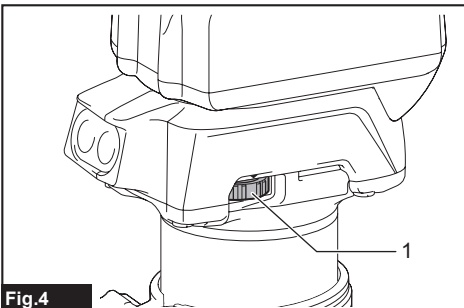


Fig.4

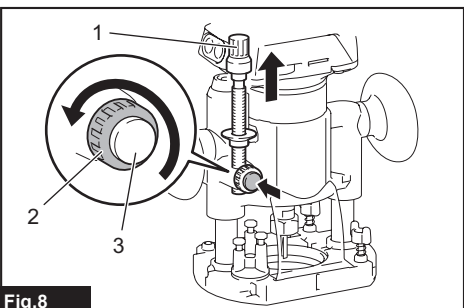
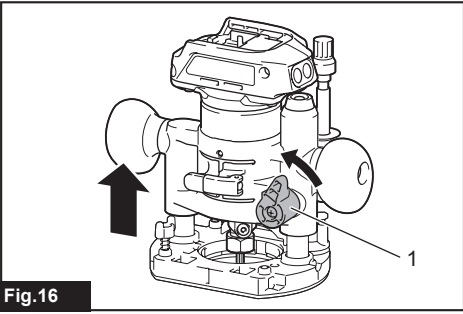
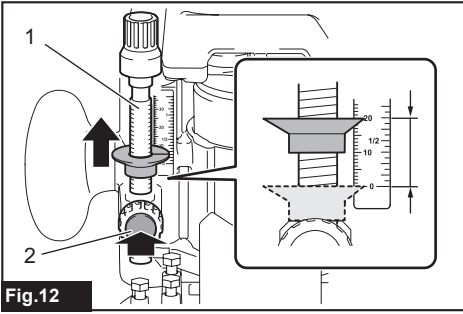
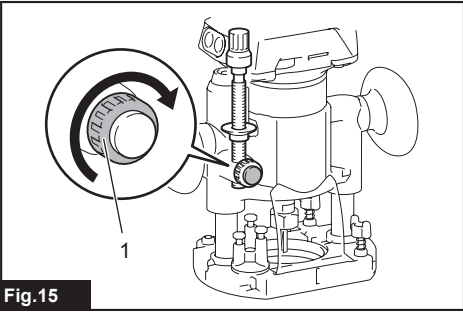
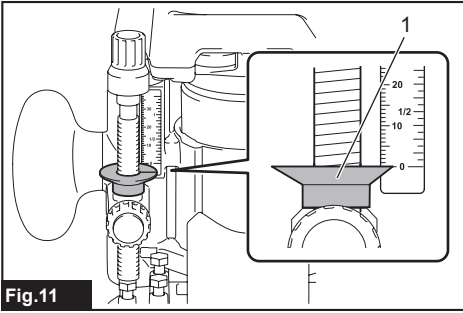
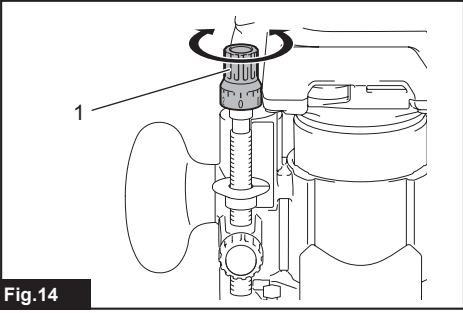
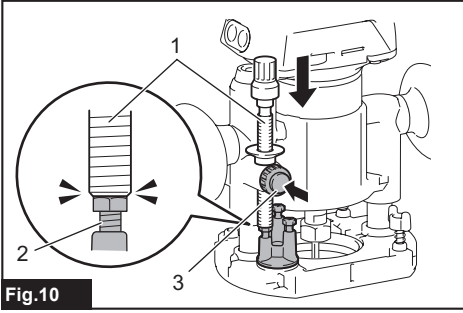
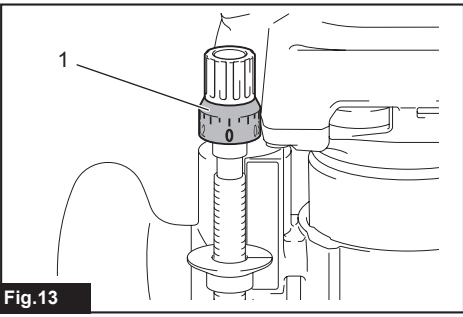
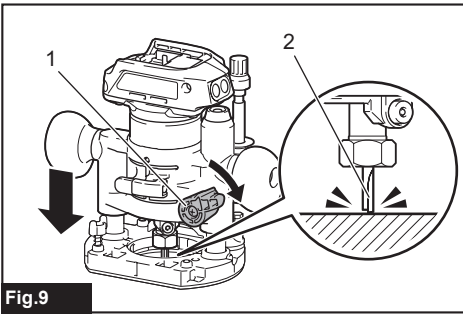
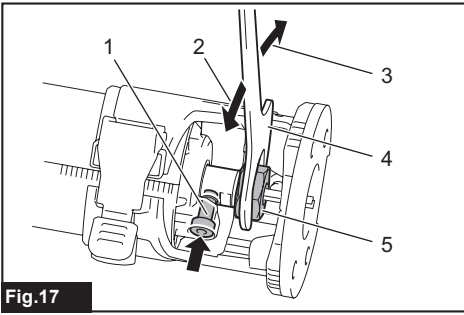
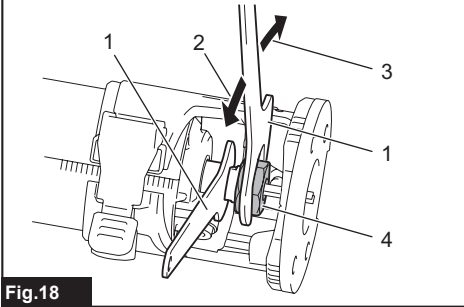


Fig.8

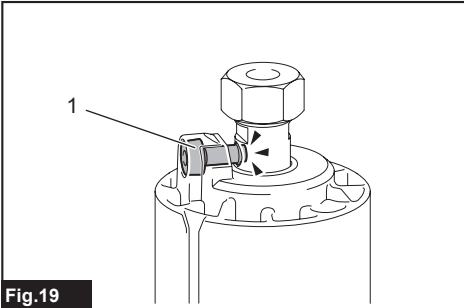




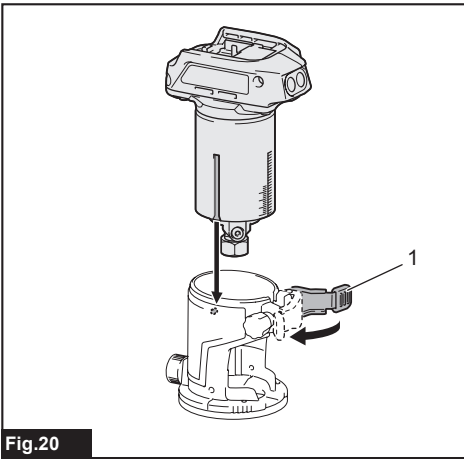
**Fig.17**



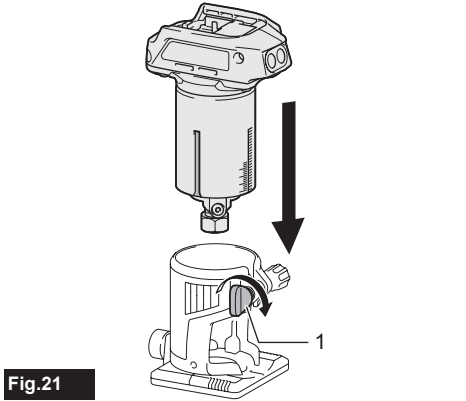
**Fig.18**



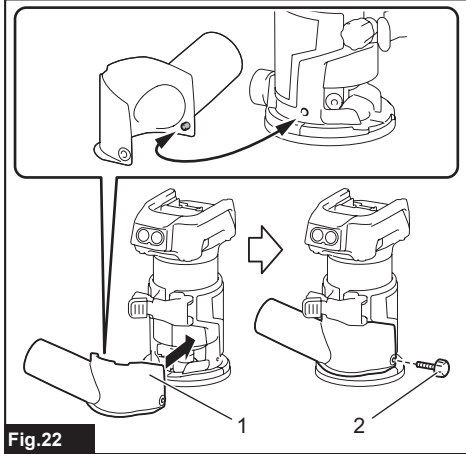
**Fig.19**



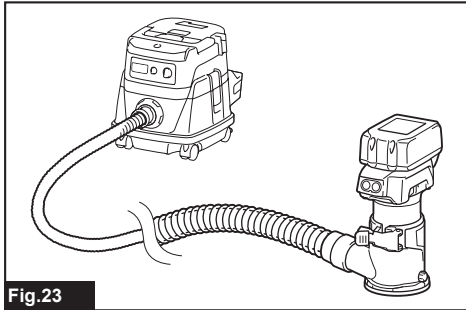
**Fig.20**



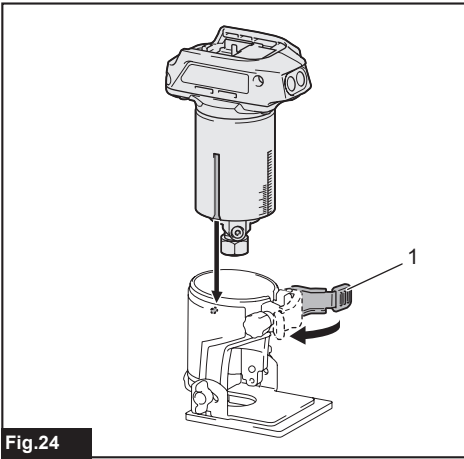
**Fig.21**



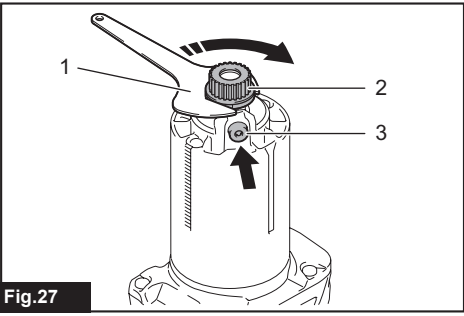
**Fig.22**



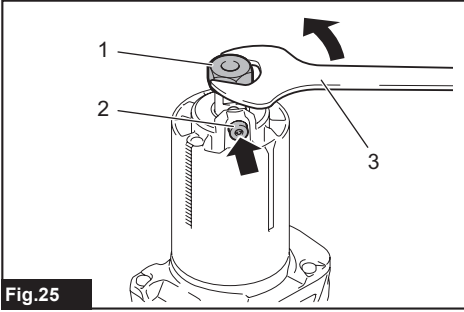
**Fig.23**



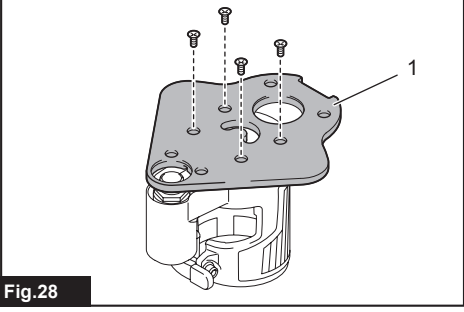
**Fig.24**



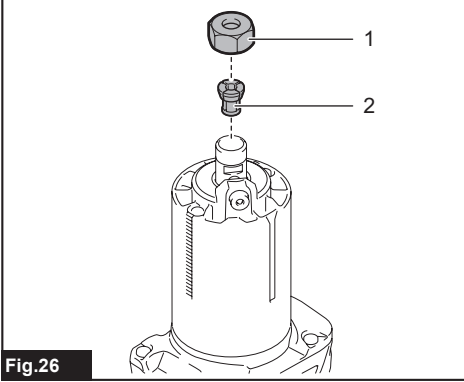
**Fig.27**



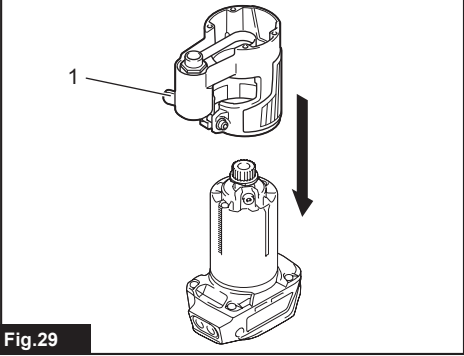
**Fig.25**



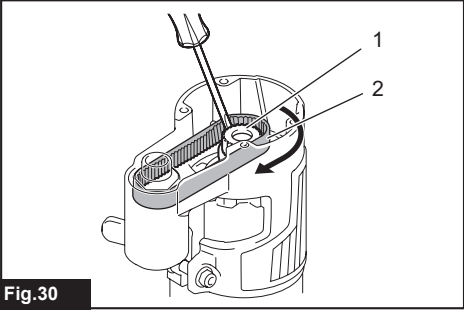
**Fig.28**



**Fig.26**



**Fig.29**



**Fig.30**

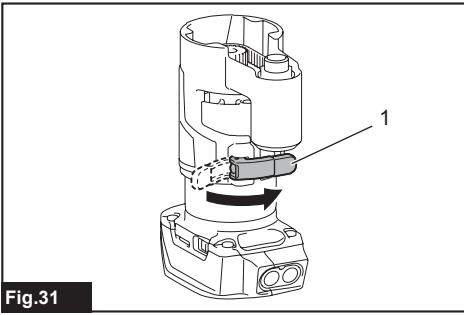


Fig.31

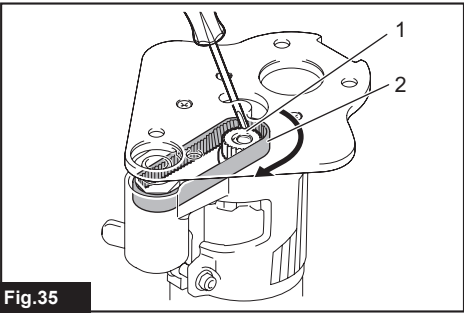


Fig.35

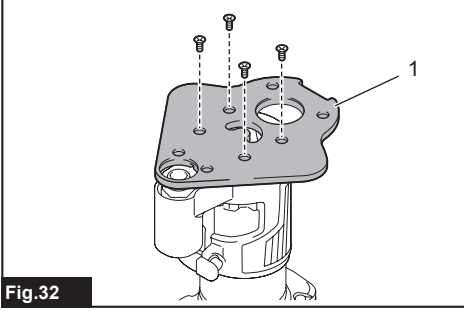


Fig.32

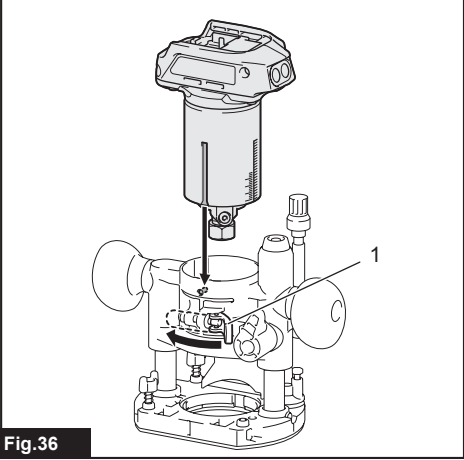


Fig.36

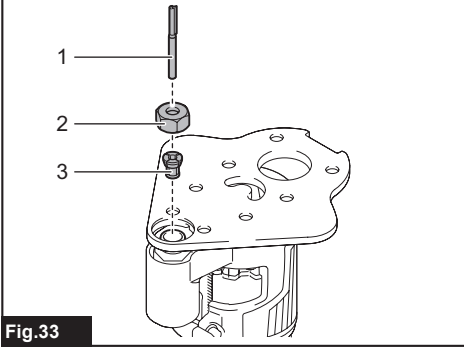


Fig.33

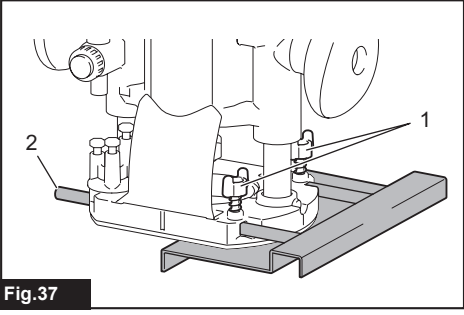


Fig.37

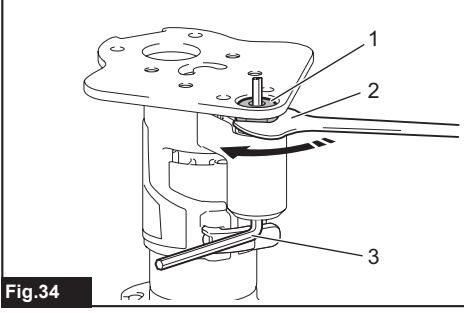


Fig.34

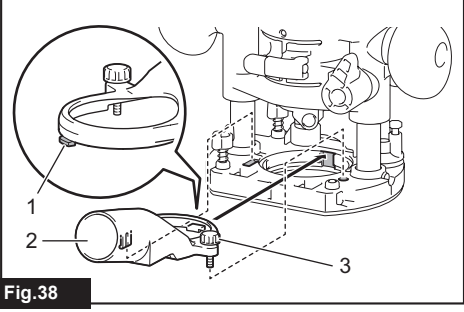


Fig.38

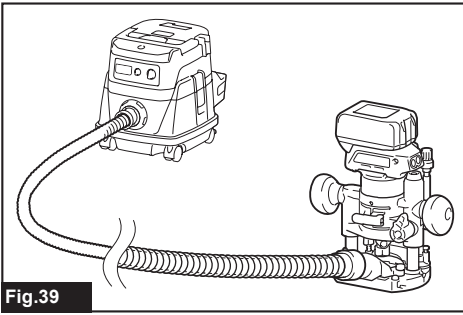


Fig.39

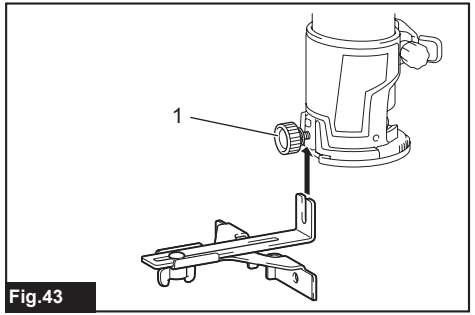


Fig.43

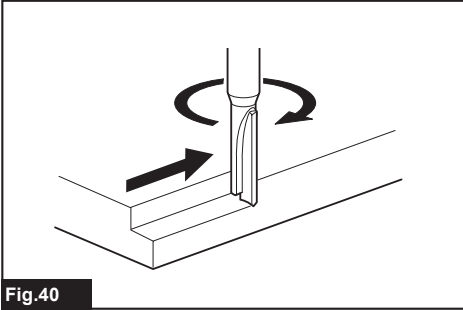


Fig.40

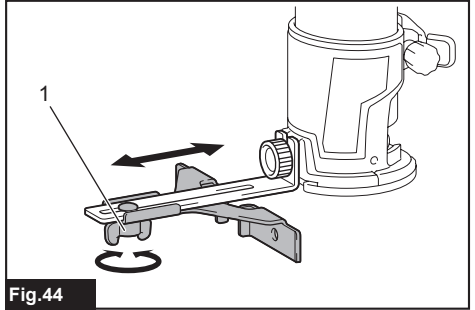


Fig.44

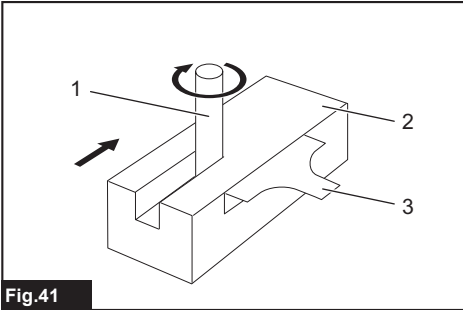


Fig.41

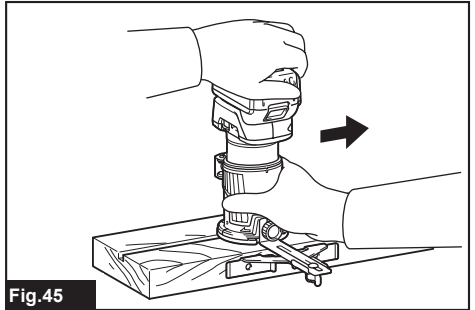


Fig.45

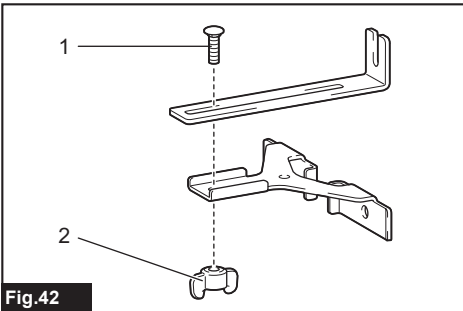


Fig.42

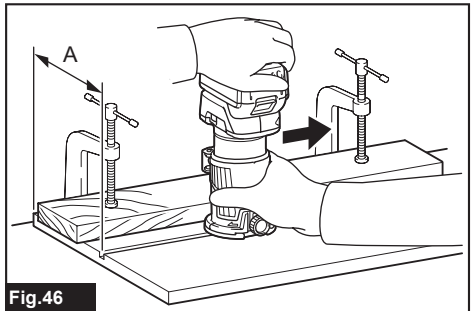


Fig.46

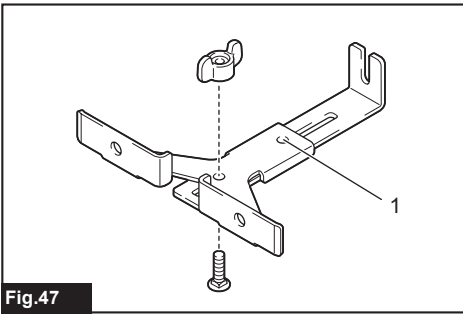


Fig.47

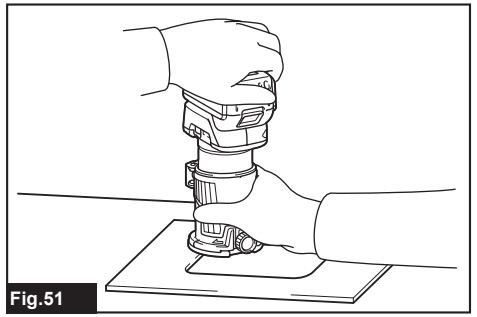


Fig.51

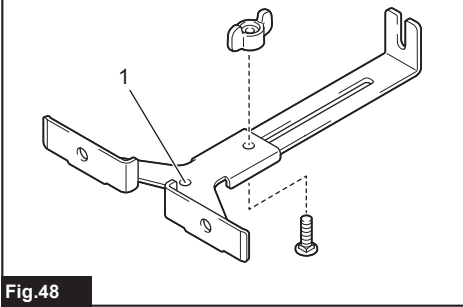


Fig.48

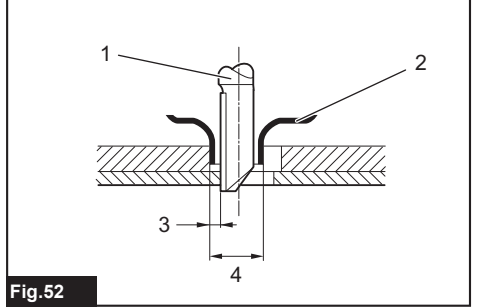


Fig.52

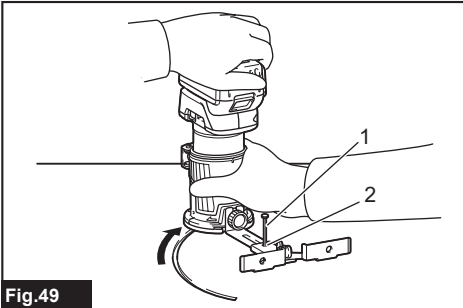


Fig.49

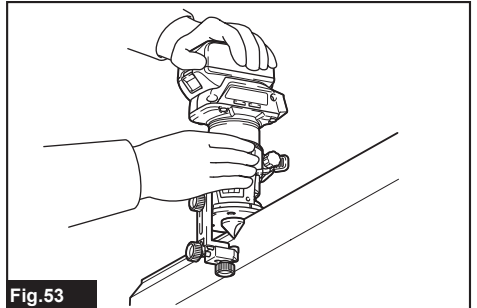


Fig.53

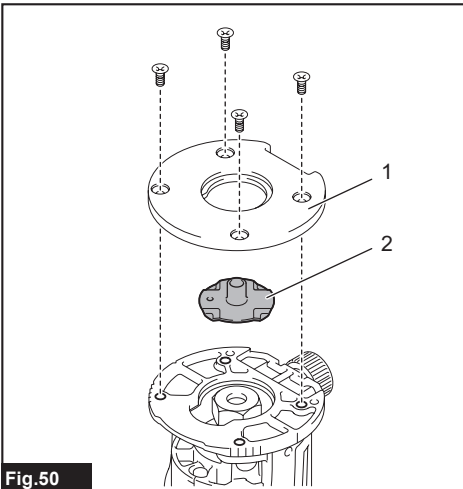


Fig.50

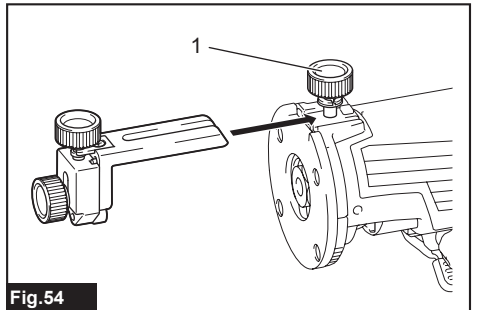
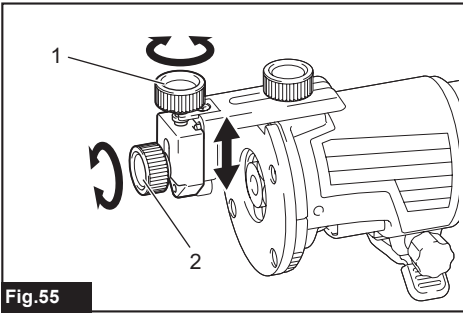
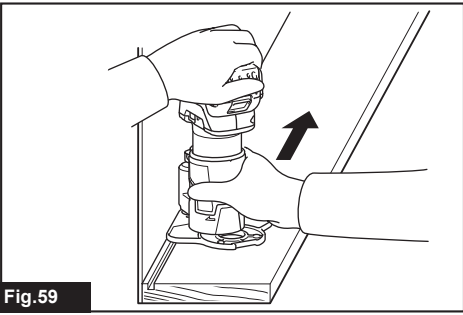


Fig.54

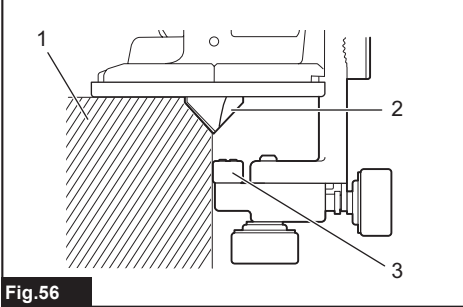




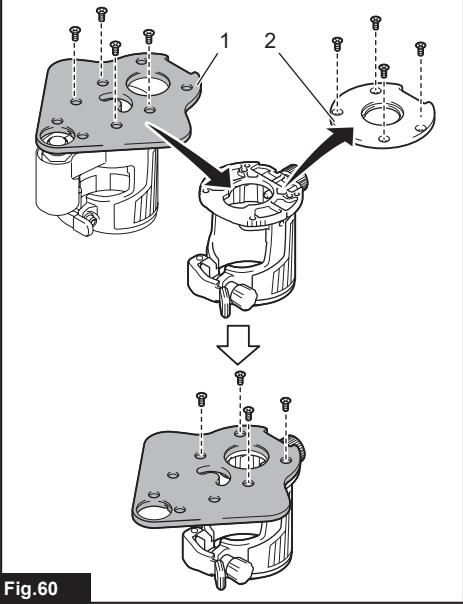
**Fig.55**



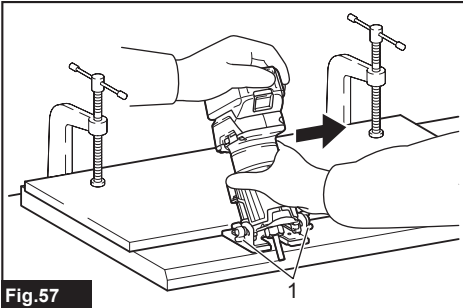
**Fig.59**



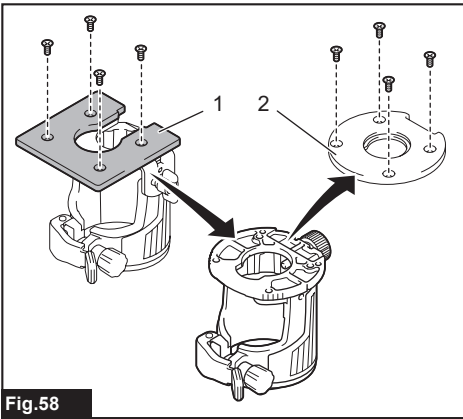
**Fig.56**



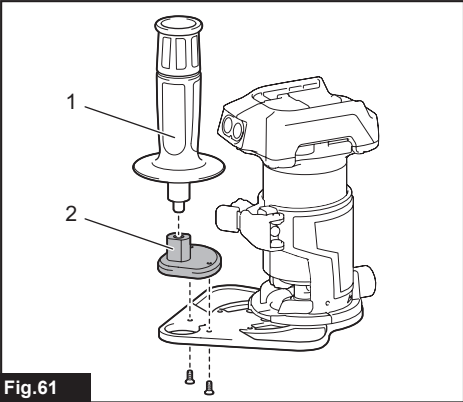
**Fig.60**



**Fig.57**



**Fig.58**



**Fig.61**

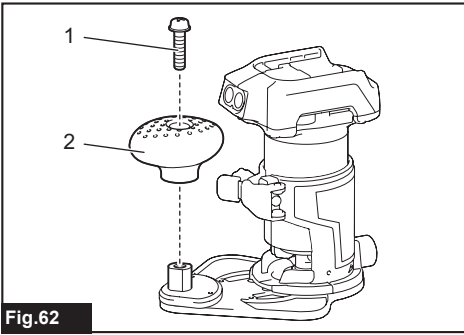


Fig.62

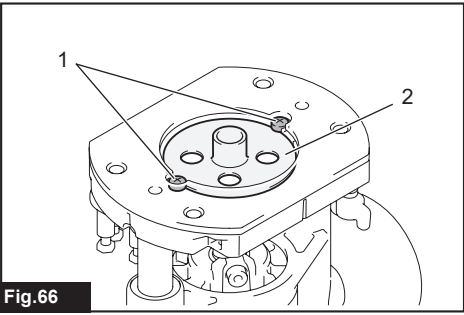


Fig.66

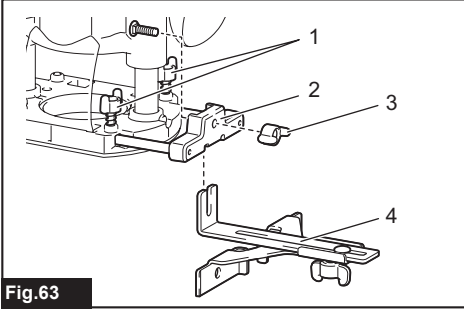


Fig.63

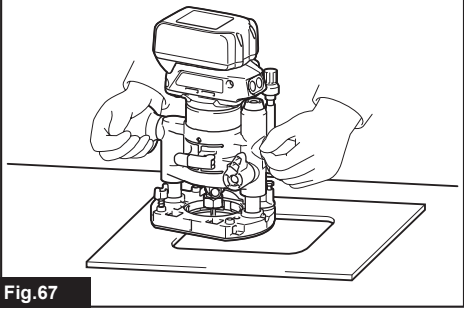


Fig.67

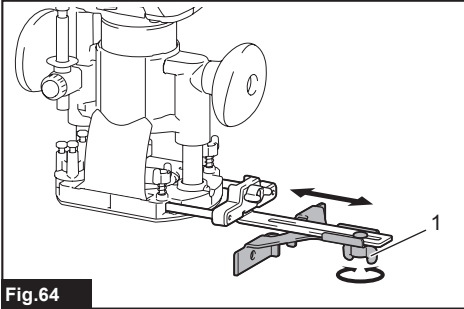


Fig.64

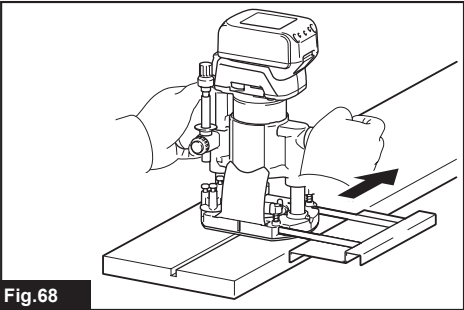


Fig.68

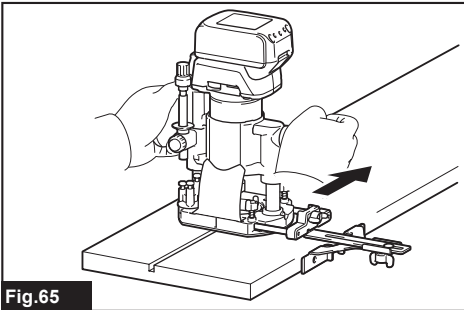


Fig.65

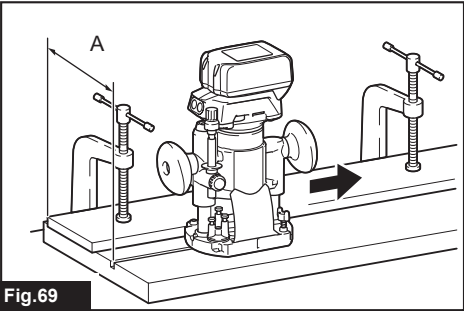
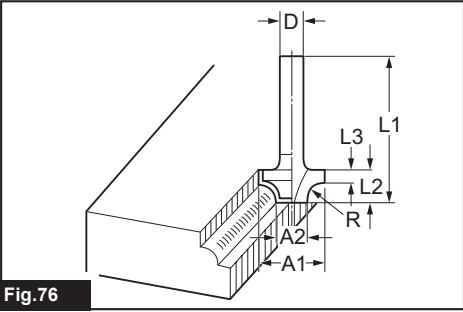
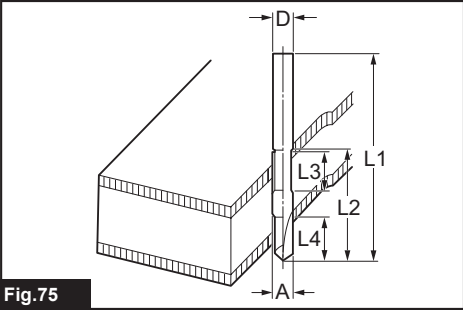
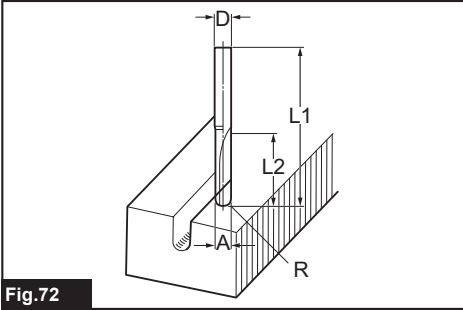
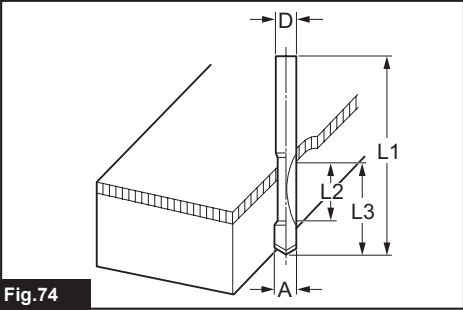
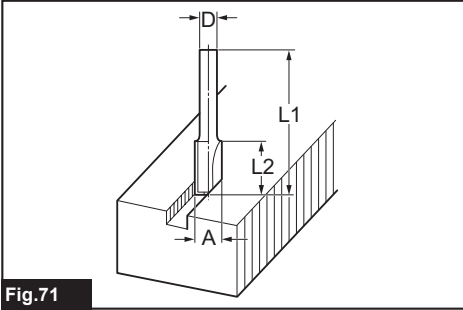
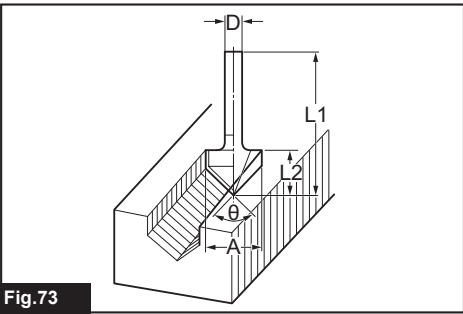
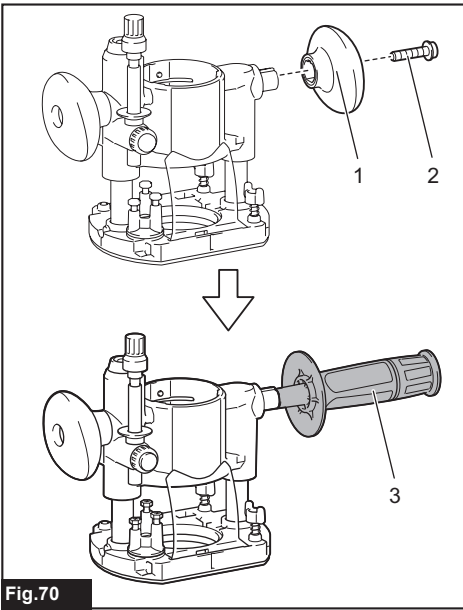


Fig.69



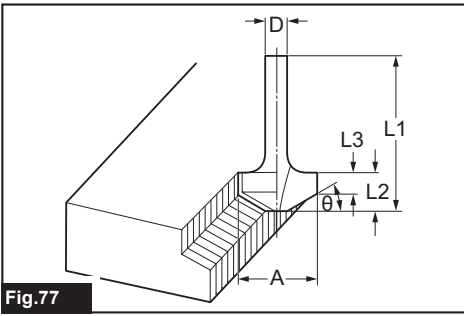


Fig.77

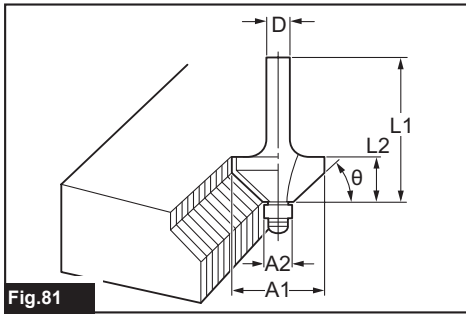


Fig.81

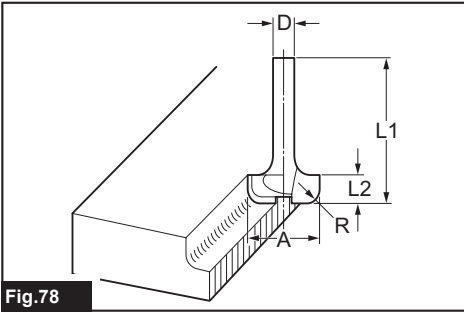


Fig.78

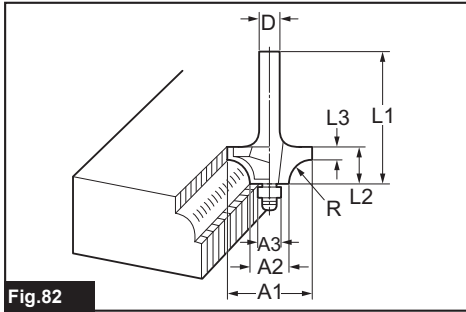


Fig.82

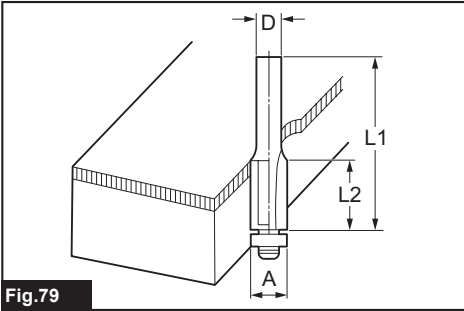


Fig.79

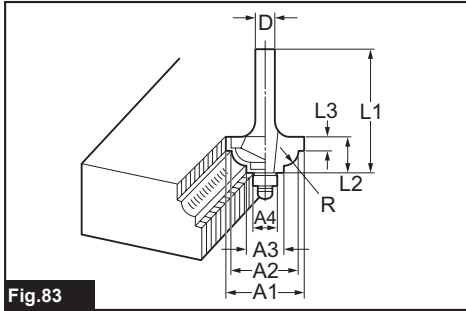


Fig.83

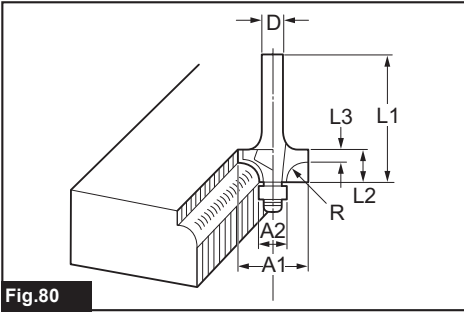


Fig.80

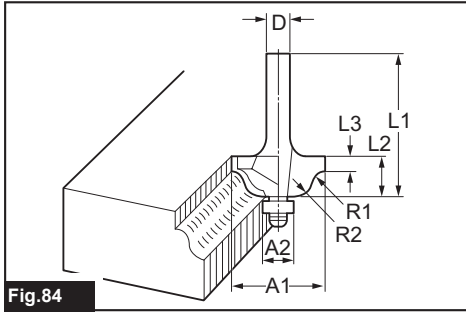


Fig.84

## SPECIFICATIONS

<b>Model:</b>	<b>DRT50</b>
Collet chuck capacity	6 mm, 8 mm, 1/4", or 3/8"
No load speed	10,000 - 30,000 min <sup>-1</sup>
Overall length	226 mm
Rated voltage	D.C. 18 V
Standard battery cartridge	BL1815N / BL1820 / BL1820B / BL1830 / BL1830B / BL1840 / BL1840B / BL1850 / BL1850B / BL1860B
Net weight	1.8 - 2.1 kg

- Due to our continuing program of research and development, the specifications herein are subject to change without notice.
- Specifications and battery cartridge may differ from country to country.
- The weight may differ depending on the attachment(s), including the battery cartridge. The lightest and heaviest combination, according to EPTA-Procedure 01/2014, are shown in the table.

### Intended use

The tool is intended for flush trimming and profiling of wood, plastic and similar materials.

### Noise

The typical A-weighted noise level determined according to EN60745:

Sound pressure level ( $L_{pA}$ ) : 78 dB(A)

Uncertainty (K) : 3 dB(A)

**⚠ WARNING: Wear ear protection.**

### Vibration

The vibration total value (tri-axial vector sum) determined according to EN60745:

Work mode: rotation without load

Vibration emission ( $a_n$ ) : 2.5 m/s<sup>2</sup> or less

Uncertainty (K) : 1.5 m/s<sup>2</sup>

Work mode: cutting grooves in MDF

Vibration emission ( $a_n$ ) : 4.5 m/s<sup>2</sup>

Uncertainty (K) : 1.5 m/s<sup>2</sup>

**NOTE:** The declared vibration emission value has been measured in accordance with the standard test method and may be used for comparing one tool with another.

**NOTE:** The declared vibration emission value may also be used in a preliminary assessment of exposure.

**⚠ WARNING:** The vibration emission during actual use of the power tool can differ from the declared emission value depending on the ways in which the tool is used.

**⚠ WARNING:** Be sure to identify safety measures to protect the operator that are based on an estimation of exposure in the actual conditions of use (taking account of all parts of the operating cycle such as the times when the tool is switched off and when it is running idle in addition to the trigger time).

### EC Declaration of Conformity

#### For European countries only

The EC declaration of conformity is included as Annex A to this instruction manual.

## SAFETY WARNINGS

### General power tool safety warnings

**⚠ WARNING:** Read all safety warnings, instructions, illustrations and specifications provided with this power tool. Failure to follow all instructions listed below may result in electric shock, fire and/or serious injury.

### Save all warnings and instructions for future reference.

The term "power tool" in the warnings refers to your mains-operated (corded) power tool or battery-operated (cordless) power tool.

### Cordless trimmer safety warnings

1. **Hold power tool by insulated gripping surfaces, because the cutter may contact hidden wiring.** Cutting a "live" wire may make exposed metal parts of the power tool "live" and shock the operator.
2. **Use clamps or another practical way to secure and support the workpiece to a stable platform.** Holding the work by your hand or against the body leaves it unstable and may lead to loss of control.
3. **Wear hearing protection during extended period of operation.**
4. **Handle the trimmer bits very carefully.**
5. **Check the trimmer bit carefully for cracks or damage before operation. Replace cracked or damaged bit immediately.**

6. Avoid cutting nails. Inspect for and remove all nails from the workpiece before operation.
7. Hold the tool firmly.
8. Keep hands away from rotating parts.
9. Make sure the trimmer bit is not contacting the workpiece before the switch is turned on.
10. Before using the tool on an actual workpiece, let it run for a while. Watch for vibration or wobbling that could indicate improperly installed bit.
11. Be careful of the trimmer bit rotating direction and the feed direction.
12. Do not leave the tool running. Operate the tool only when hand-held.
13. Always switch off and wait for the trimmer bit to come to a complete stop before removing the tool from workpiece.
14. Do not touch the trimmer bit immediately after operation; it may be extremely hot and could burn your skin.
15. Do not smear the tool base carelessly with thinner, gasoline, oil or the like. They may cause cracks in the tool base.
16. Use trimmer bits of the correct shank diameter suitable for the speed of the tool.
17. Some material contains chemicals which may be toxic. Take caution to prevent dust inhalation and skin contact. Follow material supplier safety data.
18. Always use the correct dust mask/respirator for the material and application you are working with.

- (3) Do not expose battery cartridge to water or rain.

A battery short can cause a large current flow, overheating, possible burns and even a breakdown.

6. Do not store the tool and battery cartridge in locations where the temperature may reach or exceed 50 °C (122 °F).
7. Do not incinerate the battery cartridge even if it is severely damaged or is completely worn out. The battery cartridge can explode in a fire.
8. Be careful not to drop or strike battery.
9. Do not use a damaged battery.
10. The contained lithium-ion batteries are subject to the Dangerous Goods Legislation requirements.

For commercial transports e.g. by third parties, forwarding agents, special requirement on packaging and labeling must be observed.

For preparation of the item being shipped, consulting an expert for hazardous material is required. Please also observe possibly more detailed national regulations.

Tape or mask off open contacts and pack up the battery in such a manner that it cannot move around in the packaging.

11. Follow your local regulations relating to disposal of battery.
12. Use the batteries only with the products specified by Makita. Installing the batteries to non-compliant products may result in a fire, excessive heat, explosion, or leak of electrolyte.

## SAVE THESE INSTRUCTIONS.

**⚠WARNING:** DO NOT let comfort or familiarity with product (gained from repeated use) replace strict adherence to safety rules for the subject product. MISUSE or failure to follow the safety rules stated in this instruction manual may cause serious personal injury.

**⚠CAUTION:** Only use genuine Makita batteries. Use of non-genuine Makita batteries, or batteries that have been altered, may result in the battery bursting causing fires, personal injury and damage. It will also void the Makita warranty for the Makita tool and charger.

## Important safety instructions for battery cartridge

1. Before using battery cartridge, read all instructions and cautionary markings on (1) battery charger, (2) battery, and (3) product using battery.
2. Do not disassemble battery cartridge.
3. If operating time has become excessively shorter, stop operating immediately. It may result in a risk of overheating, possible burns and even an explosion.
4. If electrolyte gets into your eyes, rinse them out with clear water and seek medical attention right away. It may result in loss of your eyesight.
5. Do not short the battery cartridge:
  - (1) Do not touch the terminals with any conductive material.
  - (2) Avoid storing battery cartridge in a container with other metal objects such as nails, coins, etc.

## Tips for maintaining maximum battery life

1. Charge the battery cartridge before completely discharged. Always stop tool operation and charge the battery cartridge when you notice less tool power.
2. Never recharge a fully charged battery cartridge. Overcharging shortens the battery service life.
3. Charge the battery cartridge with room temperature at 10 °C - 40 °C (50 °F - 104 °F). Let a hot battery cartridge cool down before charging it.
4. Charge the battery cartridge if you do not use it for a long period (more than six months).

# FUNCTIONAL DESCRIPTION

**CAUTION:** Always be sure that the tool is switched off and the battery cartridge is removed before adjusting or checking function on the tool.

## Installing or removing battery cartridge

**CAUTION:** Always switch off the tool before installing or removing of the battery cartridge.

**CAUTION:** Hold the tool and the battery cartridge firmly when installing or removing battery cartridge. Failure to hold the tool and the battery cartridge firmly may cause them to slip off your hands and result in damage to the tool and battery cartridge and a personal injury.

► **Fig.1:** 1. Red indicator 2. Button 3. Battery cartridge

To remove the battery cartridge, slide it from the tool while sliding the button on the front of the cartridge.

To install the battery cartridge, align the tongue on the battery cartridge with the groove in the housing and slip it into place. Insert it all the way until it locks in place with a little click. If you can see the red indicator on the upper side of the button, it is not locked completely.

**CAUTION:** Always install the battery cartridge fully until the red indicator cannot be seen. If not, it may accidentally fall out of the tool, causing injury to you or someone around you.

**CAUTION:** Do not install the battery cartridge forcibly. If the cartridge does not slide in easily, it is not being inserted correctly.

## Indicating the remaining battery capacity

Only for battery cartridges with the indicator

► **Fig.2:** 1. Indicator lamps 2. Check button

Press the check button on the battery cartridge to indicate the remaining battery capacity. The indicator lamps light up for a few seconds.

Indicator lamps			Remaining capacity
Lighted	Off	Blinking	
			75% to 100%
			50% to 75%
			25% to 50%
			0% to 25%
			Charge the battery.
			The battery may have malfunctioned.

**NOTE:** Depending on the conditions of use and the ambient temperature, the indication may differ slightly from the actual capacity.

## Tool / battery protection system

The tool is equipped with a tool/battery protection system. This system automatically cuts off power to the motor to extend tool and battery life. The tool will automatically stop during operation if the tool or battery is placed under one of the following conditions:

### Overload protection

When the battery is operated in a manner that causes it to draw an abnormally high current, the tool automatically stops without any indication. In this situation, turn the tool off and stop the application that caused the tool to become overloaded. Then turn the tool on to restart.

### Overheat protection

When the tool or battery is overheated, the tool stops automatically and the lamp blinks. In this case, let the tool and battery cool before turning the tool on again.

### Overdischarge protection

When the battery capacity is not enough, the tool stops automatically. In this case, remove the battery from the tool and charge the battery.

## Switch action

To turn on the tool, press the lock/unlock button. The tool turns into the standby mode. To start the tool, press the start/stop button in the standby mode. To stop the tool, press the start/stop button again. The tool turns into the standby mode. To turn off the tool, press the lock/unlock button in the standby mode.

► **Fig.3:** 1. Lock/unlock button 2. Start/stop button

**NOTE:** If the tool is left for 10 seconds without any operation in the standby mode, the tool automatically turns off and the lamp goes off.

**NOTE:** You can also stop and turn off the tool by pressing the lock/unlock button while the tool is operating.

## Lighting up the front lamp

**CAUTION:** Do not look in the light or see the source of light directly.

To turn on the lamp, press the lock/unlock button. To turn off the lamp, press the lock/unlock button again.

**NOTICE:** When the tool is overheated, the lamp flickers. Cool down the tool fully before operating the tool again.

**NOTE:** Use a dry cloth to wipe the dirt off the lens of the lamp. Be careful not to scratch the lens of lamp, or it may lower the illumination.

## Speed adjusting dial

The rotation speed of the tool can be changed by turning the speed adjusting dial. The table below shows the number on the dial and the corresponding rotation speed.

► **Fig.4:** 1. Speed adjusting dial

Number	Speed
1	10,000 min <sup>-1</sup>
2	15,000 min <sup>-1</sup>
3	20,000 min <sup>-1</sup>
4	25,000 min <sup>-1</sup>
5	30,000 min <sup>-1</sup>

**NOTICE: If the tool is operated continuously at low speed for a long time, the motor will get overloaded, resulting in tool malfunction.**

**NOTICE: When changing the speed dial from "5" to "1", turn the dial counterclockwise. Do not turn the dial clockwise forcibly.**

## Electronic function

The tool is equipped with the electronic functions for easy operation.

- Constant speed control  
The speed control function provides the constant rotation speed regardless of load conditions.
- Soft start  
The soft-start function minimizes start-up shock, and makes the tool start smoothly.

## Adjusting cutting depth

To adjust the cutting depth, open the lock lever, then move the tool base up or down by turning the adjusting screw. After the adjustment, close the lock lever firmly.

► **Fig.5:** 1. Lock lever 2. Adjusting screw

**NOTICE: If the tool is not secured after closing the lock lever, tighten the hex nut, and then close the lock lever.**

► **Fig.6:** 1. Hex nut

## Adjusting cutting depth with the plunge base

### Optional accessory

1. Place the tool on the flat surface.
2. Select the stopper screw by rotating the stopper base.

► **Fig.7:** 1. Stopper screw 2. Stopper base

3. Loosen the stopper pole fixing nut, then pull up the stopper pole while pressing the feed button.

► **Fig.8:** 1. Stopper pole 2. Fixing nut 3. Feed button

4. Push down the tool until the tip of the trimmer bit touches the flat surface, and then turn the fixing lever to secure the tool.

► **Fig.9:** 1. Fixing lever 2. Trimmer bit

5. Press down the stopper pole while pressing the feed button until it contacts the stopper screw.

► **Fig.10:** 1. Stopper pole 2. Stopper screw 3. Feed button

6. Slide the depth pointer so that the pointer indicates "0" on the scale.

► **Fig.11:** 1. Depth pointer

7. Adjust the cutting depth by pulling up the stopper pole while pressing the feed button.

► **Fig.12:** 1. Stopper pole 2. Feed button

8. To perform fine adjustment of the cutting depth, turn the dial on the stopper pole so that it indicates "0".

► **Fig.13:** 1. Dial

9. Turn the head of the stopper pole to obtain the desired depth. To increase the depth, turn the head counterclockwise. To decrease the depth, turn the head clockwise.

► **Fig.14:** 1. Head of the stopper pole

10. Tighten the stopper pole fixing nut.

► **Fig.15:** 1. Fixing nut

11. Release the fixing lever.

► **Fig.16:** 1. Fixing lever

## ASSEMBLY

**CAUTION: Always be sure that the tool is switched off and the battery cartridge is removed before carrying out any work on the tool.**

## Installing or removing trimmer bit

**NOTICE: Do not tighten the collet nut without inserting the bit.** The collet cone may break.

Insert the trimmer bit all the way into the collet cone. Press the shaft lock and tighten the collet nut with the wrench or tighten the collet nut securely with the two wrenches. To remove the bit, follow the installation procedure in reverse.

► **Fig.17:** 1. Shaft lock 2. Loosen 3. Tighten 4. Wrench 5. Collet nut

► **Fig.18:** 1. Wrench 2. Loosen 3. Tighten 4. Collet nut

**NOTE:** The shaft lock may not return to the original position when you tighten the collet nut at the installation of the trimmer bit. The shaft lock returns to the original position when you start the tool.

► **Fig.19:** 1. Shaft lock

## Installing or removing the trimmer base

1. Open the lock lever of the trimmer base, then insert the tool into the trimmer base aligning the groove on the tool with the protrusion on the trimmer base.

► **Fig.20:** 1. Lock lever



**NOTE:** You can use the trimmer base (resin) as an optional accessory as shown in the figure. When using the trimmer base (resin), loosen or tighten the thumb nut instead of opening or closing the lock lever.  
▶ **Fig.21:** 1. Thumb nut

2. Close the lock lever.
3. Attach the dust nozzle to the trimmer base, and then tighten the thumb screw.  
▶ **Fig.22:** 1. Dust nozzle 2. Thumb screw
- ▶ **Fig.23**

To remove the base, follow the installation procedure in reverse.

**CAUTION:** When using the tool with the trimmer base, be sure to install the dust nozzle on the trimmer base.

## Installing or removing the tilt base

### Optional accessory

1. Open the lock lever of the tilt base, then insert the tool into the tilt base aligning the groove on the tool with the protrusion on the tilt base.  
▶ **Fig.24:** 1. Lock lever
2. Close the lock lever.

To remove the base, follow the installation procedure in reverse.

## Installing or removing the offset base

### Optional accessory

1. Press the shaft lock, then loosen the collet nut.  
▶ **Fig.25:** 1. Collet nut 2. Shaft lock 3. Wrench
2. Remove the collet nut and the collet cone.  
▶ **Fig.26:** 1. Collet nut 2. Collet cone
3. Install the pulley on the tool by pressing the shaft lock and tightening the pulley with the wrench.  
▶ **Fig.27:** 1. Wrench 2. Pulley 3. Shaft lock
4. Loosen the screws on the base plate, and then remove the base plate.  
▶ **Fig.28:** 1. Base plate
5. Open the lock lever of the offset base, then insert the tool into the offset base.  
▶ **Fig.29:** 1. Lock lever
6. Mount the belt to the pulley by rotating the belt manually.  
▶ **Fig.30:** 1. Pulley 2. Belt
7. Close the lock lever.  
▶ **Fig.31:** 1. Lock lever
8. Attach the base plate by tightening the screws.  
▶ **Fig.32:** 1. Base plate
9. Insert the collet cone and the trimmer bit into the offset base, and then tighten the collet nut.  
▶ **Fig.33:** 1. Trimmer bit 2. Collet nut 3. Collet cone

10. Insert the hex wrench into the hole of the offset base, and then tighten the collet nut with the wrench.  
▶ **Fig.34:** 1. Collet nut 2. Wrench 3. Hex wrench

To remove the base, follow the installation procedure in reverse.

**NOTE:** You can also mount the belt to the pulley without removing the base plate as shown in the figure.

- ▶ **Fig.35:** 1. Pulley 2. Belt

## Installing or removing the plunge base

### Optional accessory

1. Open the lock lever of the plunge base, then insert the tool into the plunge base all the way aligning the groove on the tool with the protrusion on the plunge base.  
▶ **Fig.36:** 1. Lock lever
2. Close the lock lever.

To remove the base, follow the installation procedure in reverse.

## Installing or removing the parallel ruler on the plunge base

### Optional accessory

Insert the guide bars into the holes in the plunge base, and then tighten the wing bolts. To remove the ruler, follow the installation procedure in reverse.

- ▶ **Fig.37:** 1. Wing bolt 2. Guide bar

## Installing or removing the dust nozzle on the plunge base

Insert the dust nozzle into the plunge base so that the protrusion on the dust nozzle fits in the notch in the plunge base, and then tighten the thumb screw on the dust nozzle. To remove the nozzle, follow the installation procedure in reverse.

- ▶ **Fig.38:** 1. Protrusion 2. Dust nozzle 3. Thumb screw
- ▶ **Fig.39**

# OPERATION

## Using the tool with the trimmer base

Set the tool base on the workpiece without the trimmer bit making any contact. Turn the tool on and wait until the bit attains full speed. Move the tool forward over the workpiece surface. Keep the tool base flush while moving the tool.

When cutting the edge, be sure to keep the workpiece surface on the left side of the trimmer bit in the feed direction.

- ▶ **Fig.40**

**NOTE:** Before cutting on the actual workpiece, it is recommended to make a sample cut. The proper feed speed depends on the trimmer bit size, the kind of workpiece, and depth of cut. Moving the tool forward too fast may cause a poor quality of cut, or damage to the bit or motor. Moving the tool forward too slowly may burn and mar the cutting surface.

When using the trimmer shoe, the straight guide, or the trimmer guide, be sure to keep it on the right side in the feed direction. This will help to keep it flush with the side of the workpiece.

► **Fig.41:** 1. Trimmer bit 2. Workpiece 3. Straight guide

**NOTICE:** Since excessive cutting may cause overload of the motor or difficulty in controlling the tool, the depth of cut should not be more than 3 mm at a pass when cutting grooves. When you wish to cut grooves more than 3 mm deep, make several passes with progressively deeper bit settings.

## Using the straight guide

### Optional accessory

1. Assemble the straight guide with the bolt and the wing nut.

► **Fig.42:** 1. Bolt 2. Wing nut

2. Attach the straight guide to the trimmer base with the clamp screw.

► **Fig.43:** 1. Clamp screw

3. Loosen the wing nut on the straight guide and adjust the distance between the bit and the straight guide. At the desired distance, tighten the wing nut.

► **Fig.44:** 1. Wing nut

4. Move the tool with the straight guide flush with the side of the workpiece.

► **Fig.45**

If the distance (A) between the side of the workpiece and the cutting position is too wide for the straight guide, or if the side of the workpiece is not straight, the straight guide cannot be used.

In this case, firmly clamp a straight board to the workpiece and use it as a guide against the trimmer base. Feed the tool in the direction of the arrow.

► **Fig.46**

## Using the straight guide for circular work

For circular work, assemble the straight guide as shown in the figures. The minimum and maximum radius of circles to be cut (distance between the center of circle and the center of bit) are as follows:

- Minimum: 70 mm
- Maximum: 221 mm

**For cutting circles between 70 mm and 121 mm in radius.**

► **Fig.47:** 1. Center hole

**For cutting circles between 121 mm and 221 mm in radius.**

► **Fig.48:** 1. Center hole

**NOTE:** Circles between 172 mm and 186 mm in radius cannot be cut using this guide.

Align the center hole in the straight guide with the center of the circle to be cut. Drive a nail less than 6 mm in diameter into the center hole to secure the straight guide. Pivot the tool around the nail in the clockwise direction.

► **Fig.49:** 1. Nail 2. Center hole

## Using the templet guide

### Optional accessory

The templet guide allows for repetitive cut with templet patterns by using a templet.

1. Loosen the screws on the base plate, and then remove the base plate from the trimmer base.

2. Place the templet guide on the base, and then attach the base plate by tightening the screws.

► **Fig.50:** 1. Base plate 2. Templet guide

3. Place the tool on the templet and move the tool with the templet guide sliding along the side of the templet.

► **Fig.51**

**NOTE:** The actual cut size on the workpiece is slightly different from the templet. The difference is the distance (X) between the trimmer bit and the outside of the templet guide. The distance (X) can be calculated by using the following equation:

$$\text{Distance (X)} = (\text{outside diameter of templet guide} - \text{trimmer bit diameter}) / 2$$

► **Fig.52:** 1. Trimmer bit 2. Templet guide 3. Distance (X) 4. Outside diameter of templet guide

## Using the trimmer guide

### Optional accessory

The trimmer guide allows for trimming the curved side like veneers for furniture by moving the guide roller along the side of the workpiece.

► **Fig.53**

1. Loosen the clamp screw, then install the trimmer guide on the trimmer base, and then tighten the clamp screw.

► **Fig.54:** 1. Clamp screw

2. Loosen the clamp screw and adjust the distance between the trimmer bit and the trimmer guide by turning the adjusting screw (1 mm per turn). At the desired distance, tighten the clamp screw to secure the trimmer guide.

► **Fig.55:** 1. Adjusting screw 2. Clamp screw

3. Move the tool with the guide roller riding the side of the workpiece.

► **Fig.56:** 1. Workpiece 2. Bit 3. Guide roller

## Using the tool with the tilt base

The tilt base is convenient for chamfering. Loosen the wing screws, then tilt the tool at the desired angle, and then tighten the wing screws.

Firmly clamp a straight board to the workpiece and use it as a guide against the tilt base. Feed the tool in the direction of the arrow.

► **Fig.57:** 1. Wing screw

## Using the tilt base plate with the trimmer base

To use the trimmer base with a square base plate, remove the base plate from the tilt base, and then attach it to the trimmer base.

► **Fig.58:** 1. Tilt base plate 2. Trimmer base plate

## Using the tool with the offset base

The offset base is convenient for work in a tight area such as a corner.

► **Fig.59**

## Using the trimmer base with the offset base plate and grip

The offset base plate can also be used with a trimmer base and a grip attachment (optional accessory) for more stability.

1. Loosen the screws on the base plate, then remove the base plate from the offset base.

► **Fig.60:** 1. Offset base plate 2. Trimmer base plate

2. Attach the offset base plate to the trimmer base by tightening the screws.

3. Attach the grip attachment and the bar type grip to the offset base plate by tightening the screws.

► **Fig.61:** 1. Bar type grip 2. Grip attachment

The knob type grip removed from the plunge base can be installed on the offset base instead of the bar type grip.

► **Fig.62:** 1. Screw 2. Knob type grip

## Using the tool with the plunge base

Always hold the grips firmly with both hands during operation. Operate the tool in the same way as the trimmer base.

## Using the straight guide

### Optional accessory

1. Install the straight guide to the guide holder by tightening the wing nut. Insert the guide holder into the holes in the plunge base, and then tighten the wing bolts.

► **Fig.63:** 1. Wing bolt 2. Guide holder 3. Wing nut 4. Straight guide

2. Loosen the wing nut on the straight guide and adjust the distance between the bit and the straight guide. At the desired distance, tighten the wing nut.

► **Fig.64:** 1. Wing nut

3. Operate the tool in the same way as the straight guide for the trimmer base.

► **Fig.65**

## Using the templet guide

### Optional accessory

1. Loosen the screws on the base and remove them. Place the templet guide on the base, and then tighten the screws.

► **Fig.66:** 1. Screw 2. Templet guide

2. Operate the tool in the same way as the templet guide for the trimmer base.

► **Fig.67**

## Using the parallel ruler

The parallel ruler is effectively used for straight cuts when chamfering or grooving. Adjust the distance between the bit and the parallel ruler. At the desired distance, tighten the wing bolts to secure the parallel ruler. When cutting, move the tool with the parallel ruler flush with the side of the workpiece.

► **Fig.68**

If the distance (A) between the side of the workpiece and the cutting position is too wide for the parallel ruler, or if the side of the workpiece is not straight, the parallel ruler cannot be used.

In this case, firmly clamp a straight board to the workpiece and use it as a guide against the plunge base. Feed the tool in the direction of the arrow.

► **Fig.69**

## Changing knob type grip to bar type grip

To install the bar type grip on the plunge base, loosen the screw of the knob type grip, then remove the knob type grip, and then install the bar type grip by tightening it.

► **Fig.70:** 1. Knob type grip 2. Screw 3. Bar type grip

# MAINTENANCE

**CAUTION:** Always be sure that the tool is switched off and the battery cartridge is removed before attempting to perform inspection or maintenance.

**NOTICE:** Never use gasoline, benzine, thinner, alcohol or the like. Discoloration, deformation or cracks may result.

To maintain product SAFETY and RELIABILITY, repairs, any other maintenance or adjustment should be performed by Makita Authorized or Factory Service Centers, always using Makita replacement parts.

# OPTIONAL ACCESSORIES

**CAUTION:** These accessories or attachments are recommended for use with your Makita tool specified in this manual. The use of any other accessories or attachments might present a risk of injury to persons. Only use accessory or attachment for its stated purpose.

If you need any assistance for more details regarding these accessories, ask your local Makita Service Center.

- Straight and groove forming bits
- Edge forming bits
- Laminate trimming bits
- Straight guide assembly
- Trimmer guide assembly
- Trimmer base assembly
- Trimmer base assembly (resin)
- Tilt base assembly
- Plunge base assembly
- Offset base assembly
- Grip attachment
- Templet guide
- Collet cone 6 mm
- Collet cone 6.35 mm (1/4")
- Collet cone 8 mm
- Collet cone 9.53 mm (3/8")
- Wrench 13
- Wrench 22
- Makita genuine battery and charger

**NOTE:** Some items in the list may be included in the tool package as standard accessories. They may differ from country to country.

## Trimmer bits

### Straight bit

► Fig.71

	D	A	L1	L2
20	6	20	50	15
20E	1/4"			
8	8	8	60	25
8	6		50	18
8E	1/4"			
6	6	6	50	18
6E	1/4"			

Unit: mm

### "U" Grooving bit

► Fig.72

	D	A	L1	L2	R
6	6	6	50	18	3
6E	1/4"				

Unit: mm

### "V" Grooving bit

► Fig.73

D	A	L1	L2	θ
1/4"	20	50	15	90°

Unit: mm

### Drill point flush trimming bit

► Fig.74

	D	A	L1	L2	L3
8	8	8	60	20	35
6	6	6		18	28
6E	1/4"				

Unit: mm

### Drill point double flush trimming bit

► Fig.75

	D	A	L1	L2	L3	L4
8	8	8	80	95	20	25
6	6	6	70	40	12	14
6E	1/4"					

Unit: mm

### Corner rounding bit

► Fig.76

	D	A1	A2	L1	L2	L3	R
8R	6	25	9	48	13	5	8
8RE	1/4"						
4R	6	20	8	45	10	4	4
4RE	1/4"						

Unit: mm

### Chamfering bit

► Fig.77

D	A	L1	L2	L3	θ
6	23	46	11	6	30°
6	20	50	13	5	45°
6	20	49	14	2	60°

Unit: mm

### Cove beading bit

► Fig.78

D	A	L1	L2	R
6	20	43	8	4
6	25	48	13	8

Unit: mm

### Ball bearing flush trimming bit

► Fig.79

D	A	L1	L2
6	10	50	20
1/4"			

Unit: mm

**Ball bearing corner rounding bit****► Fig.80**

D	A1	A2	L1	L2	L3	R
6	15	8	37	7	3.5	3
6	21		40	10		6
1/4"						

Unit: mm

**Ball bearing chamfering bit****► Fig.81**

D	A1	A2	L1	L2	θ
6	26	8	42	12	45°
1/4"					
6	20		41	11	60°

Unit: mm

**Ball bearing beading bit****► Fig.82**

D	A1	A2	A3	L1	L2	L3	R
6	20	12	8	40	10	5.5	4
6	26			42	12	4.5	7

Unit: mm

**Ball bearing cove beading bit****► Fig.83**

D	A1	A2	A3	A4	L1	L2	L3	R
6	20	18	12	8	40	10	5.5	3
6	26	22			42	12	5	5

Unit: mm

**Ball bearing roman ogee bit****► Fig.84**

D	A1	A2	L1	L2	L3	R1	R2
6	20	8	40	10	4.5	2.5	4.5
6	26		42	12		3	6

Unit: mm

## SPECIFIKATIONER

Modell:	DRT50
Spännhylschuckens kapacitet	6 mm, 8 mm, 1/4" eller 3/8"
Hastighet utan belastning	10 000 - 30 000 min <sup>-1</sup>
Total längd	226 mm
Märkspänning	18 V likström
Standardbatterikassett	BL1815N / BL1820 / BL1820B / BL1830 / BL1830B / BL1840 / BL1840B / BL1850 / BL1850B / BL1860B
Nettovikt	1,8 - 2,1 kg

- På grund av vårt pågående program för forskning och utveckling kan dessa specifikationer ändras utan föregående meddelande.
- Specifikationer och batterikassett kan variera mellan olika länder.
- Vikten kan variera beroende på tillbehören, inklusive batterikassett. Den lättaste och den tyngsta kombinationen enligt EPTA-procedur 01/2014 visas i tabellen.

### Avsedd användning

Verktyget är avsett för trimning och profilering av trä, plast och liknande material.

### Buller

Den normala bullernivån för A-belastning är bestämd enligt EN60745:

Ljudtrycksnivå (L<sub>PA</sub>): 78 dB (A)

Måttolerans (K): 3 dB (A)

**⚠ VARNING:** Använd hörselskydd.

### Vibration

Det totala vibrationsvärdet (treaxlad vektorsumma) bestämt enligt EN60745:

Arbetsläge: rotation utan belastning

Vibrationsemission (a<sub>v</sub>): 2,5 m/s<sup>2</sup> eller lägre

Måttolerans (K): 1,5 m/s<sup>2</sup>

Arbetsläge: spårfräsning i MDF

Vibrationsemission (a<sub>v</sub>): 4,5 m/s<sup>2</sup>

Måttolerans (K): 1,5 m/s<sup>2</sup>

**OBS:** Det deklarerade vibrationsemissionsvärdet har uppmätts i enlighet med standardtestmetoden och kan användas för att jämföra en maskin med en annan.

**OBS:** Det deklarerade vibrationsemissionsvärdet kan också användas i en preliminär bedömning av exponering för vibration.

**⚠ VARNING:** Vibrationsemissionen under faktisk användning av maskinen kan skilja sig från det deklarerade emissionsvärdet, beroende på hur maskinen används.

**⚠ VARNING:** Var noga med att identifiera säkerhetsåtgärder för att skydda användaren, vilka är grundade på en uppskattning av graden av exponering för vibrationer under de faktiska användningsförhållandena, (ta, förutom avtryckartiden, med alla delar av användarcykeln i beräkningen, som till exempel tiden då maskinen är avstängd och när den går på tomgång).

### EG-försäkring om överensstämmelse

**Gäller endast inom EU**

EG-försäkring om överensstämmelse inkluderas som bilaga A till denna bruksanvisning.

## SÄKERHETSVARNINGAR

### Allmänna säkerhetsvarningar för maskiner

**⚠ VARNING:** Läs alla säkerhetsvarningar, anvisningar, illustrationer och specifikationer som medföljer det här maskinen. Underlåtenhet att följa instruktionerna kan leda till elstötar, brand och/eller allvarliga personskador.

### Spara alla varningar och instruktioner för framtida referens.

Termen "maskin" som anges i varningarna hänvisar till din eldrivna maskin (sladdansluten) eller batteridrivna maskin (sladdlös).

### Säkerhetsvarningar för batteridrivna kantfräs

1. **Håll i maskinens isolerade greppytter eftersom kapmaskinen kan komma i kontakt med dolda kablar.** Om verktyget kommer i kontakt med en strömförande ledning blir dess metalldelar strömförande och kan ge operatören en elektrisk stöt.
2. **Använd tvingar eller liknande för att säkra och stödja arbetsstycket på ett stabilt underlag.** Att hålla arbetsstycket i händerna eller mot kroppen ger inte tillräckligt stöd, och du riskerar då att förlora kontrollen.
3. **Använd hörselskydd vid längre tids användning.**
4. **lakta försiktighet vid hantering av fråshuvuden.**

5. Kontrollera att fråshuvudet inte är sprucket eller skadat före användning. Byt omedelbart ut ett skadat eller sprucket fråshuvud.
6. Undvik att säga in spik. Kontrollera arbetsstycket och ta bort alla spikar före arbetet påbörjas.
7. Håll verktyget i ett fast grepp.
8. Håll händerna på behörigt avstånd från roterande delar.
9. Se till att fråshuvudet inte kommer i kontakt med arbetsstycket innan strömbrytaren slagits på.
10. Låt verktyget vara igång en stund innan det används på arbetsstycket. Kontrollera att det inte förekommer vibrationer eller kast som indikerar att fråshuvudet monterats felaktigt.
11. Kontrollera fråshuvudets rotations- och matningsriktning.
12. Lämna inte verktyget igång. Använd endast verktyget när du håller det i händerna.
13. Stäng alltid av verktyget och vänta tills fråshuvudet har stannat helt innan du avlägsnar verktyget från arbetsstycket.
14. Rör inte vid fråshuvudet omedelbart efter avslutat arbete. Det kan vara extremt varmt och orsaka brännskador.
15. Lakta försiktighet med förtunningsmedel, bensin, olja eller liknande på verktygsfästet som vid. Överdriven användning kan orsaka sprickor i verktygsfästet.
16. Använd fråshuvuden med en skaftdiameter som passar verktygets hastighet.
17. Vissa material kan innehålla giftiga kemikalier. Se till att du inte andas in dammet från kemikalier eller får något på huden. Följ anvisningarna i leverantörens materialsäkerhetsblad.
18. Använd alltid dammask eller andningsrespirator som är anpassad efter det material du arbetar med och de förhållanden du arbetar under.
5. Kortslut inte batterikassetten.
  - (1) Rör inte vid polerna med något strömförande material.
  - (2) Undvik att förvara batterikassetten tillsammans med andra metallobjekt som t.ex. spikar, mynt o.s.v.
  - (3) Skydda batteriet mot vatten och regn. En batterikortslutning kan orsaka ett stort strömflöde, överhettning, brand och maskinhaveri.
6. Förvara inte maskinen och batterikassetten på platser där temperaturen kan nå eller överstiga 50 °C.
7. Bränn inte upp batterikassetten även om den är svårt skadad eller helt utsliten. Batterikassetten kan explodera i öppen eld.
8. Var försiktig så att du inte råkar tappa batteriet och utsätt det inte för stötar.
9. Använd inte ett skadat batteri.
10. De medföljande litiumjonbatterierna är föremål för kraven i gällande lagstiftning för farligt gods.
 

För kommersiella transporter (av t.ex. tredje parter som speditorsfirmor) måste de särskilda transportkrav som anges på emballaget och etiketter iakttas.

För att förbereda den produkt som ska avsändas krävs att du konsulterar en expert på riskmaterial. Var också uppmärksam på att det i ditt land kan finnas ytterligare föreskrifter att följa.

Tejpa över eller maskera blottade kontakter och packa batteriet på sådant sätt att det inte kan röra sig fritt i förpackningen.
11. Följ lokala föreskrifter beträffande avfallshandtering av batteriet.
12. Använd endast batterierna med de produkter som specificerats av Makita. Att använda batterierna med ej godkända produkter kan leda till brand, överdriven värme, explosion eller utläckande elektrolyt.

## SPARA DESSA ANVISNINGAR.

**⚠ VARNING:** GLÖM INTE att också fortsättningsvis strikt följa säkerhetsanvisningarna för maskinen även efter att du blivit van att använda den. Vid **FELAKTIG HANTERING** av maskinen eller om inte säkerhetsanvisningarna i denna bruksanvisning följs kan följden bli allvarliga personskador.

### Viktiga säkerhetsanvisningar för batterikassetten

1. Innan batterikassetten används ska alla instruktioner och varningsmärken på (1) batteriladdaren, (2) batteriet och (3) produkten läsas.
2. Montera inte isär batterikassetten.
3. Om drifttiden blivit avsevärt kortare ska användningen avbrytas omedelbart. Det kan uppstå överhettning, brännskador och t o m en explosion.
4. Om du får elektrolyt i ögonen ska de sköljas med rent vatten och läkare uppsökas omedelbart. Det finns risk för att synen förloras.

## SPARA DESSA ANVISNINGAR.

**⚠ FÖRSIKTIGT:** Använda endast äkta Makita-batterier. Användning av oäkta Makita-batterier eller batterier som har manipulerats kan leda till person- och utrustningsskador eller till att batteriet fattar eld. Det upphäver också Makitas garanti för verktyget och laddaren.

### Tips för att uppnå batteriets maximala livslängd

1. Ladda batterikassetten innan den är helt urladdad. Stanna alltid maskinen och ladda batterikassetten när du märker att maskinen blir svagare.
2. Ladda aldrig en fulladdad batterikasset. Överladdning förkortar batteriets livslängd.
3. Ladda batterikassetten vid en rumstemperatur på 10 °C - 40 °C. Låt en varm batterikasset svalna innan den laddas.
4. Ladda batterikassetten om du inte har använt den på länge (mer än sex månader).

# FUNKTIONSBESKRIVNING

**⚠ FÖRSIKTIGT:** Se alltid till att maskinen är avstängd och batterikassetten borttagen innan du justerar maskinen eller kontrollerar dess funktioner.

## Montera eller demontera batterikassetten

**⚠ FÖRSIKTIGT:** Stäng alltid av maskinen innan du monterar eller tar bort batterikassetten.

**⚠ FÖRSIKTIGT:** Håll stadigt i maskinen och batterikassetten när du monterar eller tar bort batterikassetten. I annat fall kan det leda till att de glider ur dina händer och orsakar skada på maskinen och batterikassetten samt personskada.

► **Fig. 1:** 1. Röd indikator 2. Knapp 3. Batterikassett

Ta bort batterikassetten genom att skjuta ner knappen på kassetten framsida samtidigt som du drar ut batterikassetten.

Sätt i batterikassetten genom att rikta in tungan på batterikassetten mot spåret i höljet och skjut den på plats. Tryck in batterikassetten ordentligt tills den låser fast med ett klick. Om du kan se den röda indikatorn på knappens ovansida är den inte låst ordentligt.

**⚠ FÖRSIKTIGT:** Sätt alltid i batterikassetten helt tills den röda indikatorn inte längre syns.

I annat fall kan den oväntat falla ur maskinen och skada dig eller någon annan.

**⚠ FÖRSIKTIGT:** Montera inte batterikassetten med våld. Om kassetten inte lätt glider på plats är den felinsatt.

## Indikerar kvarvarande batterikapacitet

*Endast för batterikassetter med indikator*

► **Fig. 2:** 1. Indikatorlampor 2. Kontrollknapp

Tryck på kontrollknappen på batterikassetten för att se kvarvarande batterikapacitet. Indikatorlamporna lyser i ett par sekunder.

Indikatorlampor			Kvarvarande kapacitet
Upplyst	Av	Blikar	
■	□	▬	75% till 100%
■	■	■	
■	■	□	50% till 75%
■	□	□	25% till 50%
■	□	□	0% till 25%
▬	□	□	Ladda batteriet.
■	■	□	Batteriet kan ha skadats.
□	□	■	

**OBS:** Beroende på användningsförhållanden och den omgivande temperaturen kan indikationen skilja sig lätt från den faktiska batterikapaciteten.

## Skyddssystem för maskinen/batteriet

Verktyget är utrustat med ett skyddssystem för verktyget/batteriet. Detta system bryter automatiskt strömmen till motorn för att förlänga verktygets och batteriets livslängd. Verktyget stoppar automatiskt under användningen om verktyget eller batteriet hamnar i en av följande situationer:

### Överbelastningskydd

Om batteriet används på ett sätt som gör att det drar onormalt mycket ström kan det stoppas automatiskt utan någon varning. När detta sker stänger du av verktyget och upphör med arbetet som gjorde att verktyget överbelastades. Starta därefter verktyget igen.

### Överhettningsskydd

När verktyget eller batteriet överhettas stoppas det automatiskt och lampan börjar blinka. I sådant fall ska du låta verktyget och batteriet svalna innan du startar verktyget igen.

### Överurladdningskydd

När batteriets kapacitet är otillräcklig stoppar maskinen automatiskt. I sådant fall ska batteriet tas ur maskinen och laddas.

## Avtryckarens funktion

Tryck på lås-/uppläsningsknappen för att starta maskinen. Maskinen går till standby-läge. För att starta maskinen i standby-läge, tryck på start-/stopppknappen. Tryck en gång till på start-/stopppknappen för att stoppa maskinen. Maskinen går till standby-läge. För att stänga av maskinen i standby-läge, tryck på lås-/uppläsningsknappen.

► **Fig. 3:** 1. Lås-/uppläsningsknapp 2. Start-/stopppknapp

**OBS:** Om maskinen lämnas i 10 sekunder utan några åtgärder i standby-läge, stängs maskinen automatiskt av och lampan släcks.

**OBS:** Du kan även stoppa och stänga av maskinen genom att trycka på lås-/uppläsningsknappen när maskinen används.

## Tända frontlampan

**⚠ FÖRSIKTIGT:** Titta inte in i ljuset eller direkt i ljuskällan.

Tryck på lås-/uppläsningsknappen för att släcka lampan. Tryck på lås-/uppläsningsknappen igen för att tända lampan.

**OBSERVERA:** Lampan blinkar när maskinen är överhettad. Låt maskinen svalna fullständigt innan den används igen.



**OBS:** Använd en torr trasa för att torka bort smuts från lampglaset. Var försiktig så att inte lampglaset repas eftersom ljuset då kan bli svagare.

## Ratt för hastighetsinställning

Maskinens rotationshastighet kan ändras genom att vrida på ratten för hastighetsinställning. Tabellen nedan visar rattens nummer och motsvarande hastighet.

► **Fig.4:** 1. Ratt för hastighetsinställning

Nummer	Hastighet
1	10 000 min <sup>-1</sup>
2	15 000 min <sup>-1</sup>
3	20 000 min <sup>-1</sup>
4	25 000 min <sup>-1</sup>
5	30 000 min <sup>-1</sup>

**OBSERVERA:** Om maskinen används oavbrutet på låg hastighet under lång tid överbelastas motorn, vilket leder till funktionsfel på maskinen.

**OBSERVERA:** Vid byte på hastighetsratten från "5" till "1", vrid ratten moturs. Vrid inte ratten medurs med våld.

## Elektronisk funktion

Maskinen är utrustad med elektroniska funktioner för enkel användning.

- Konstant hastighetskontroll  
Hastighetskontrollfunktionen ger en konstant rotationshastighet oavsett belastningsförhållanden.
- Mjukstart  
Mjukstartsfunktionen minimerar ryck vid uppstarten och gör att maskinen får en mjuk start.

## Ställa in kapningsdjup

Justera kapningsdjupet genom att lossa låsspaken och flytta maskinens bottenplatta uppåt eller nedåt genom att vrida på inställningsskruven. Dra åt låsspaken ordentligt efter justeringen.

► **Fig.5:** 1. Låsspak 2. Inställningsskruv

**OBSERVERA:** Om maskinen inte är fäst när låsspaken är stängd, dra åt insexmuttern och stäng därefter låsspaken.

► **Fig.6:** 1. Insexmutter

## Ställa in kapningsdjup med den sänkbara bottenplattan

### Extra tillbehör

1. Placera verktyget på ett plant underlag.
2. Välj djupanslagsskruven genom att vrida på djupanslagsplattan.  
► **Fig.7:** 1. Djupanslagsskruv 2. Djupanslagsplatta
3. Lossa på stoppstängens fästmutter, dra ut stoppstängens samtidigt som du håller matningsknappen nedtryckt.  
► **Fig.8:** 1. Stoppstång 2. Fästmutter  
3. Matningsknapp

4. Tryck ner maskinen tills fråshuvudets spets vidrör den plana ytan och vrid därefter fixerspaken för att säkra maskinen.

► **Fig.9:** 1. Fixerspak 2. Fråshuvud

5. Tryck ner stoppstängens och matningsknappen samtidigt tills den nuddar djupanslagsskruven.

► **Fig.10:** 1. Stoppstång 2. Djupanslagsskruv  
3. Matningsknapp

6. Skjut pekaren för fräsdjup så att pekaren visar "0" på skalan.

► **Fig.11:** 1. Pekare för fräsdjup

7. Ställ inkapningsdjupet genom att dra ut stoppstängens samtidigt som du håller matningsknappen nedtryckt.

► **Fig.12:** 1. Stoppstång 2. Matningsknapp

8. För att utföra en fininställning av kapningsdjupet, vrid på stoppstängens ratt tills den visar "0".

► **Fig.13:** 1. Ratt

9. Vrid på stoppstängens huvud för att erhålla önskat djup. Vrid på huvudet moturs för att öka djupet. Vrid på huvudet medurs för att minska djupet.

► **Fig.14:** 1. Stoppstångens huvud

10. Dra åt stoppstängens fästmutter.

► **Fig.15:** 1. Fästmutter

11. Släpp fixerspaken.

► **Fig.16:** 1. Fixerspak

## MONTERING

**⚠FÖRSIKTIGT:** Se alltid till att maskinen är avstängd och batterikassetten borttagen innan du underhåller maskinen.

## Montera eller demontera fråshuvud

**OBSERVERA:** Dra inte åt hylsmuttern utan att ha monterat fråshuvudet. Spännhylsan kan gå sönder.

För in fråshuvudet hela vägen in i spännhylsan. Tryck in spindellåset och dra åt spännhylsmuttern med nyckeln eller dra åt hylsmuttern ordentligt med de två nycklarna. Följ monteringsförfarandet i omvänd ordning för att avlägsna fräsverktyget.

► **Fig.17:** 1. Spindellås 2. Lossa 3. Dra åt 4. Nyckel  
5. Hylsmutter

► **Fig.18:** 1. Nyckel 2. Lossa 3. Dra åt 4. Hylsmutter

**OBS:** Spindellåset kanske inte går tillbaka till ursprungsläge när du drar åt hylsmuttern vid installation av fråshuvud. Spindellåset går tillbaka till ursprungsläge när du startar maskinen.

► **Fig.19:** 1. Spindellås

## Montera eller demontera kantfräsens bottenplatta

1. Öppna låsspaken på kantfräsens bottenplatta, för in verktyget i kantfräsens bottenplatta och rikta in spåren i verktyget med den utskjutande delen på kantfräsens bottenplatta.

► **Fig.20:** 1. Låsspak

**OBS:** Du kan använda bottenplattan (harts) som valfritt tillbehör enligt vad som visas på bilden. När bottenplattan (harts) används, lossa eller spänn åt den lätttrade muttern istället för att öppna eller stänga låsspåren.

► **Fig.21:** 1. Lättrad mutter

2. Stäng låsspaken.

3. Fäst dammunstycket på kantfräsens bottenplatta och dra åt tumskraven.

► **Fig.22:** 1. Dammunstycke 2. Tumskrav

► **Fig.23**

Ta bort bottenplattan genom att följa monteringsproceduren i omvänd ordning.

**⚠ FÖRSIKTIGT:** När du använder maskinen med kantfräsens bottenplatta ska du alltid montera dammunstycket på kantfräsens bottenplatta.

## Montera eller demontera den fällbara bottenplattan

### Extra tillbehör

1. Öppna låsspaken på den fällbara bottenplattan, för in verktyget i den fällbara bottenplattan och rikta in spåren i verktyget med den utskjutande delen på den fällbara bottenplattan.

► **Fig.24:** 1. Låsspak

2. Stäng låsspaken.

Ta bort bottenplattan genom att följa monteringsproceduren i omvänd ordning.

## Montera eller demontera distansbottenplattan

### Extra tillbehör

1. Tryck på spindellåset och lossa därefter hylsmuttern.

► **Fig.25:** 1. Hylsmutter 2. Spindellås 3. Nyckel

2. Ta bort hylsmuttern och spännhylsan.

► **Fig.26:** 1. Hylsmutter 2. Spännhylsa

3. Montera drivhjulet på maskinen genom att trycka på spindellåset och dra åt drivhjulet med en nyckel.

► **Fig.27:** 1. Nyckel 2. Drivhjul 3. Spindellås

4. Lossa skruven på bottenplattan och ta bort bottenplattan.

► **Fig.28:** 1. Bottenplatta

5. Öppna distansbottenplattans låsspak och sätt därefter i verktyget i distansbottenplattan.

► **Fig.29:** 1. Låsspak

6. Montera remmen på drivhjulet genom att snurra remmen manuellt.

► **Fig.30:** 1. Drivhjul 2. Rem

7. Stäng låsspaken.

► **Fig.31:** 1. Låsspak

8. Fäst basplattan genom att dra åt skruvarna.

► **Fig.32:** 1. Bottenplatta

9. För in spännhylsan och fråshuvudet i distansbottenplattan och dra åt hylsmuttern.

► **Fig.33:** 1. Fråshuvud 2. Hylsmutter 3. Spännhylsa

10. Sätt in insexnyckeln i distansbottenplattans hål och dra åt hylsmuttern med nyckeln.

► **Fig.34:** 1. Hylsmutter 2. Nyckel 3. Insexnyckel

Ta bort bottenplattan genom att följa monteringsproceduren i omvänd ordning.

**OBS:** Du kan även montera remmen på drivhjulet utan att ta bort basplattan enligt figuren.

► **Fig.35:** 1. Drivhjul 2. Rem

## Montera eller demontera den sänkbara bottenplattan

### Extra tillbehör

1. Öppna låsspaken på den sänkbara bottenplattan, för in verktyget hela vägen i den sänkbara bottenplattan och rikta in spåren i verktyget med den utskjutande delen på den sänkbara bottenplattan.

► **Fig.36:** 1. Låsspak

2. Stäng låsspaken.

Ta bort bottenplattan genom att följa monteringsproceduren i omvänd ordning.

## Montera eller demontera parallellinjalen på den sänkbara bottenplattan

### Extra tillbehör

Sätt i anhållsstängerna i hålen på den sänkbara bottenplattan och dra åt vingbultarna. Ta bort linjalen genom att följa monteringsproceduren i omvänd ordning.

► **Fig.37:** 1. Vingbult 2. Svärd

## Montera eller demontera dammunstycket på den sänkbara bottenplattan

Sätt i dammunstycket på den sänkbara bottenplattan så att den utskjutande delen på dammunstycket passar in i skåran i den sänkbara bottenplattan och dra därefter åt tumskraven på dammunstycket. Ta bort munstycket genom att följa monteringsproceduren i omvänd ordning.

► **Fig.38:** 1. Utspång 2. Dammunstycke 3. Tumskrav

► **Fig.39**

# ANVÄNDNING

## Använda maskinen med kantfräsens bottenplatta

Placera bottenplattan på arbetsstycket utan att fräshuvudet kommer i kontakt med det. Starta maskinen och vänta tills fräsverktøget uppnått full hastighet. För maskinen framåt över arbetsstyckets yta. Håll bottenplattan jäms med arbetsstycket när du flyttar maskinen. Vid fräsning av kanten ska arbetsstyckets yta befinna sig på vänster sida av fräshuvudet i matningsriktningen.

► Fig.40

**OBS:** Innan du fräser på arbetsstycket rekommenderas att göra en provfräsning. Lämplig matningshastighet beror på fräsverktøgets dimension, typ av arbetsstycke och fräsdjup. Om maskinen matas framåt för snabbt kan den frästa ytan få en dålig finish, eller så kan fräsverktøget eller motorn skadas. Om maskinen förs framåt för långsamt kan arbetsstycket bli bränt och ytan skadas.

När fräsanslaget, parallellanslaget eller rullanslaget används, skall du se till att hålla anslaget på den högra sidan i matningsriktningen. Det blir då lättare att hålla anslaget plant mot arbetsstyckets sida.

► Fig.41: 1. Fräshuvud 2. Arbetsstycke  
3. Parallellanslag

**OBSERVERA:** Eftersom en för kraftig fräsning kan orsaka överbelastning av motorn eller svårigheter att kontrollera maskinen, bör fräsdjupet inte vara mer än 3 mm per gång vid spårfräsning. Gör flera fräsningar med en gradvis ökande inställning av fräsdjupet när du vill fräsa spår som är djupare än 3 mm.

## Använda parallellanslag

### Extra tillbehör

1. Fäst parallellanslaget med bulten och vingmuttern.  
► Fig.42: 1. Bult 2. Vingmutter

2. Montera parallellanslaget på kantfräsens bottenplatta med låsskruven.

► Fig.43: 1. Spännskruv

3. Lossa vingmuttern på parallellanslaget och justera avståndet mellan fräsverktøget och parallellanslaget. Fäst vingmuttern vid önskat avstånd.

► Fig.44: 1. Vingmutter

4. För verktøget med parallellanslaget plant mot arbetsstyckets sida.

► Fig.45

Om avståndet (A) mellan arbetsstyckets sida och fräslinjen är för stort för parallellanslaget, eller om arbetsstyckets sida inte är rak, kan parallellanslaget inte användas.

Spänn i sådant fall fast en träskiva med rak kant på arbetsstycket och använd den som anslag mot kantfräsens bottenplatta. För maskinen i pilens riktning.

► Fig.46

## Använda ett parallellanslag för cirkelarbete

Montera parallellanslaget för cirkelarbete enligt figurerna. Minsta och maximala radie hos cirklar som ska fräsas (avståndet mellan cirkelns mittpunkt och fräsverktøgets mittpunkt) är enligt följande:

- Min: 70 mm
- Max: 221 mm

**För fräsning av cirklar med en radie mellan 70 mm och 121 mm.**

► Fig.47: 1. Mitthål

**För fräsning av cirklar med en radie mellan 121 mm och 221 mm.**

► Fig.48: 1. Mitthål

**OBS:** Cirklar med en radie mellan 172 mm och 186 mm kan inte fräsas med detta anslag.

Rikta in mitthålet på parallellanslaget efter mittpunkten på den cirkel som ska fräsas. Slå i en spik som är mindre än 6 mm i diameter i mitthålet för att fästa parallellanslaget. Sväng maskinen medurs runt spiken.

► Fig.49: 1. Spik 2. Mitthål

## Använda mallanslag

### Extra tillbehör

Med ett mallanslag kan man upprepa fräsningen efter mallmönster med en mall.

1. Lossa skruven på bottenplattan och ta bort bottenplattan från kantfräsens bottenplatta.

2. Placera mallanslaget på bottenplattan och fäst därefter bottenplattan genom att dra åt skruvarna.

► Fig.50: 1. Bottenplatta 2. Mallanslag

3. Placera verktøget på mallen och för verktøget med mallanslaget glidande utefter mallens sida.

► Fig.51

**OBS:** Den faktiska fräsdimensionen på arbetsstycket skiljer sig lite från mallen. Skillnaden är avståndet (X) mellan fräshuvudet och mallanslagets utsida. Avståndet (X) kan beräknas genom att använda följande ekvation:

Avstånd (X) = (mallanslagets ytterdiameter - fräshuvudets diameter)/2

► Fig.52: 1. Fräshuvud 2. Mallanslag 3. Avstånd (X)  
4. Mallanslagets ytterdiameter

## Använda fräsanslag

### Extra tillbehör

Fräsanslaget möjliggör trimning av den rundade sidan som exempelvis fanér för möbler genom att föra rullanslaget längs med arbetsstycket.

► Fig.53

1. Lossa låsskruven och montera fräsanslaget på kantfräsens bottenplatta och dra åt låsskruven.

► Fig.54: 1. Spännskruv

2. Lossa lässkruven och justera avståndet mellan fråshuvudet och fräsanslaget genom att vrida på justeringsskruven (1 mm per varv). Vid önskat avstånd drar du åt lässkruven för att säkra fräsanslaget.

► **Fig.55:** 1. Inställningsskruv 2. Spännskruv

3. För maskinen med rullanslaget löpande mot arbetsstyckets sida.

► **Fig.56:** 1. Arbetsstycke 2. Fräsverktyg 3. Rullanslag

## Använda maskinen med den fällbara bottenplattan

Den fällbara bottenplattan är behändig vid fasning. Lossa på vingskruvarna, fäll maskinen till önskad vinkel och dra fast vingskruvarna.

Spänn fast en rak bräda ordentligt på arbetsstycket och använd den som ett anslag mot den fällbara bottenplattan. För maskinen i pilens riktning.

► **Fig.57:** 1. Vingskruv

## Använda den fällbara bottenplattan med kantfräsens bottenplatta

För att använda kantfräsens bottenplatta med en fyrkantig bottenplatta, ta bort bottenplattan från den fällbara bottenplattan och fäst den till kantfräsens bottenplatta.

► **Fig.58:** 1. Fällbar bottenplatta 2. Bottenplatta för kantfräs

## Använda maskinen med distansbottenplattan

Distansbottenplattan är praktisk för arbete i trånga utrymmen, som hörn.

► **Fig.59**

## Använda kantfräsens bottenplatta med distansbottenplattan och handtag

Distansbottenplattan kan också användas med kantfräsens bottenplatta och en grepp tillsats (valfritt tillbehör) för mer stabilitet.

1. Lossa skruven på bottenplattan och ta bort bottenplattan från distansbottenplattan.

► **Fig.60:** 1. Distansbottenplatta 2. Bottenplatta för kantfräs

2. Fäst distansbottenplattan på kantfräsens bottenplatta genom att dra åt skruvarna.

3. Fäst grepp tillsatsen och det rörformade greppet till distansbottenplattan genom att dra åt skruvarna.

► **Fig.61:** 1. Rörformat grepp 2. Grepp tillsats

Knoppgreppet som tagits bort från den sänkbara bottenplattan kan monteras på distansbottenplattan istället för det rörformade greppet.

► **Fig.62:** 1. Skruv 2. Knoppgrepp

## Använda maskinen med den sänkbara bottenplattan

Håll alltid maskinen stadigt med båda händerna under arbetet. Använd maskinen på samma sätt som kantfräsens bottenplatta.

## Använda parallellanslag

### Extra tillbehör

1. Montera parallellanslaget på anslagshållaren genom att dra åt vingmuttern. Sätt in anslagshållaren i hålen på den sänkbara bottenplattan och dra åt vingbultarna.

► **Fig.63:** 1. Vingbult 2. Anslagshållare 3. Vingmutter 4. Parallellanslag

2. Lossa vingmuttern på parallellanslaget och justera avståndet mellan fräsverktyget och parallellanslaget. Fäst vingmuttern vid önskat avstånd.

► **Fig.64:** 1. Vingmutter

3. Använd maskinen på samma sätt som parallellanslaget för kantfräsens bottenplatta.

► **Fig.65**

## Använda mallanslag

### Extra tillbehör

1. Lossa på skruvarna på bottenplattan och ta bort dem. Placera mallanslaget på bottenplattan och dra därefter åt skruvarna.

► **Fig.66:** 1. Skruv 2. Mallanslag

2. Använd maskinen på samma sätt som mallanslaget för kantfräsens bottenplatta.

► **Fig.67**

## Använda parallellinjalen

Parallellinjalen är effektiv att använda för raka arbetslinjer vid avfasning eller spårfräsning. Justera avståndet mellan fräsverktyget och parallellinjalen. Vid önskat avstånd drar du åt vingbultarna, så att parallellinjalen sitter på plats. För maskinen med parallellinjalen plant mot arbetsstyckets sida under fräsningen.

► **Fig.68**

Om avståndet (A) mellan arbetsstyckets sida och fräslinjen är för stort för parallellinjalen, eller om arbetsstyckets sida inte är rak, kan parallellinjalen inte användas.

Spänn in sådant fall fast en träskiva med rak kant på arbetsstycket och använd den som anslag mot den sänkbara bottenplattan. För maskinen i pilens riktning.

► **Fig.69**

## Ändra knoppgrepp mot rörformat grepp

För att montera det rörformade greppet på den sänkbara bottenplattan, lossa skruven på knoppgreppet och ta bort det, montera därefter det rörformade greppet genom att dra fast det.

► **Fig.70:** 1. Knoppgrepp 2. Skruv 3. Rörformat grepp

## UNDERHÅLL

**⚠ FÖRSIKTIGT:** Se alltid till att maskinen är avstängd och batterikassetten borttagen innan inspektion eller underhåll utförs.

**OBSERVERA:** Använd inte bensin, förtunningsmedel, alkohol eller liknande. Missfärgning, deformation eller sprickor kan uppstå.

För att upprätthålla produktens SÄKERHET och TILLFÖRLITLIGHET bör allt underhålls- och justeringsarbete utföras av ett auktoriserat Makita servicecenter och med reservdelar från Makita.

## VALFRIA TILLBEHÖR

**⚠ FÖRSIKTIGT:** Följande tillbehör eller tillsatser rekommenderas för användning med den Makita-maskin som denna bruksanvisning avser. Om andra tillbehör eller tillsatser används kan det uppstå risk för personskador. Använd endast tillbehören eller tillsatserna för de syften de är avsedda för.

Kontakta ditt lokala Makita servicecenter om du behöver ytterligare information om dessa tillbehör.

- Notfräs- och spårfräsverktyg
- Kantfräsverktyg
- Kantfräsverktyg med styrlager
- Parallellanslag
- Fräsanslag
- Bottenplatta för fräs
- Bottenplatta (harts)
- Sats för fällbar bottenplatta
- Sats för sänkbar bottenplatta
- Sats för distansbottenplatta
- Grepptillsats
- Mallanslag
- Spännhylsa 6 mm
- Spännhylsa 6,35 mm (1/4")
- Spännhylsa 8 mm
- Spännhylsa 9,53 mm (3/8")
- Nyckel 13
- Nyckel 22
- Makitas originalbatteri och -laddare

**OBS:** Några av tillbehören i listan kan vara inkluderade i maskinpaketet som standardtillbehör. De kan variera mellan olika länder.

## Fråshuvuden

### Notfräs

#### ► Fig.71

	D	A	L1	L2
20	6	20	50	15
20E	1/4"			
8	8	8	60	25
8	6		50	18
8E	1/4"			
6	6	6	50	18
6E	1/4"			

Måtenhet: mm

### "U"-fräsverktyg

#### ► Fig.72

	D	A	L1	L2	R
6	6	6	50	18	3
6E	1/4"				

Måtenhet: mm

### "V"-fräsverktyg

#### ► Fig.73

D	A	L1	L2	θ
1/4"	20	50	15	90°

Måtenhet: mm

### Kantfräs med styrlager

#### ► Fig.74

	D	A	L1	L2	L3
8	8	8	60	20	35
6	6	6		18	28
6E	1/4"				

Måtenhet: mm

### Kantfräs med dubbelt styrlager

#### ► Fig.75

	D	A	L1	L2	L3	L4
8	8	8	80	95	20	25
6	6	6	70	40	12	14
6E	1/4"					

Måtenhet: mm

### Avrundningsfräs

#### ► Fig.76

	D	A1	A2	L1	L2	L3	R
8R	6	25	9	48	13	5	8
8RE	1/4"						
4R	6	20	8	45	10	4	4
4RE	1/4"						

Måtenhet: mm

**Fasfräs**  
► Fig.77

D	A	L1	L2	L3	θ
6	23	46	11	6	30°
6	20	50	13	5	45°
6	20	49	14	2	60°

Mätenhet: mm

**Hålkärfsfräs**  
► Fig.78

D	A	L1	L2	R
6	20	43	8	4
6	25	48	13	8

Mätenhet: mm

**Kullagrad kantfräs**  
► Fig.79

D	A	L1	L2
6	10	50	20
1/4"			

Mätenhet: mm

**Kullagrad avrundningsfräs**  
► Fig.80

D	A1	A2	L1	L2	L3	R
6	15	8	37	7	3,5	3
6	21		40	10		6
1/4"						

Mätenhet: mm

**Kullagrad fasfräs**  
► Fig.81

D	A1	A2	L1	L2	θ
6	26	8	42	12	45°
1/4"					
6	20		41	11	60°

Mätenhet: mm

**Kullagrad spegelprofilfräs**  
► Fig.82

D	A1	A2	A3	L1	L2	L3	R
6	20	12	8	40	10	5,5	4
6	26			42	12	4,5	7

Mätenhet: mm

**Kullagrad hålkärfsfräs**  
► Fig.83

D	A1	A2	A3	A4	L1	L2	L3	R
6	20	18	12	8	40	10	5,5	3
6	26	22			42	12	5	5

Mätenhet: mm

**Kullagrad profilfräs**  
► Fig.84

D	A1	A2	L1	L2	L3	R1	R2
6	20	8	40	10	4,5	2,5	4,5
6	26		42	12		3	6

Mätenhet: mm

## TEKNISKE DATA

Modell:	DRT50
Kjokskapasitet	6 mm, 8 mm, 1/4" eller 3/8"
Hastighet uten belastning	10 000 - 30 000 min <sup>-1</sup>
Total lengde	226 mm
Merkespenning	DC 18 V
Standard batteriinnsett	BL1815N / BL1820 / BL1820B / BL1830 / BL1830B / BL1840 / BL1840B / BL1850 / BL1850B / BL1860B
Nettovekt	1,8 - 2,1 kg

- På grunn av vårt kontinuerlige forsknings- og utviklingsprogram kan spesifikasjonene som oppgis i dette dokumentet endres uten varsel.
- Spesifikasjoner og batteriinnsett kan variere fra land til land.
- Vekten kan variere avhengig av tilbehøret/tilbehørene, inkludert batteriet. Den letteste og tyngste kombinasjonen, i henhold til EPTA-prosedyre 01/2014, vises i tabellen.

### Riktig bruk

Denne maskinen er laget for rask tilskjæring og profilering av tre, plast og lignende materialer.

### Støy

Typisk A-vektet lydtrykknivå er bestemt i henhold til EN60745:

Lydtrykknivå ( $L_{pA}$ ): 78 dB (A)

Usikkerhet (K): 3 dB (A)

**⚠ ADVARSEL:** Bruk hørselsvern.

### Vibrasjoner

Den totale vibrasjonsverdien (triaksial vektorsum) bestemt i henhold EN60745:

Arbeidsmodus: Rotasjon uten belastning

Genererte vibrasjoner ( $a_h$ ): 2,5 m/s<sup>2</sup> eller mindre

Usikkerhet (K): 1,5 m/s<sup>2</sup>

Arbeidsmodus: Frese spor i MDF-plate

Genererte vibrasjoner ( $a_h$ ): 4,5 m/s<sup>2</sup>

Usikkerhet (K): 1,5 m/s<sup>2</sup>

**MERK:** Den angitte verdien for de genererte vibrasjonene er målt i samsvar med standardtestmetoden og kan brukes til å sammenlikne et verktøy med et annet.

**MERK:** Den angitte verdien for de genererte vibrasjonene kan også brukes til en foreløpig vurdering av eksponeringen.

**⚠ ADVARSEL:** De genererte vibrasjonene ved faktisk bruk av elektroverktøyet kan avvike fra den angitte vibrasjonsverdien, avhengig av hvordan verktøyet brukes.

**⚠ ADVARSEL:** Sørg for å identifisere vernetiltak for å beskytte operatøren, som er basert på et estimat av eksponeringen under de faktiske bruksforholdene (idet det tas hensyn til alle deler av driftssyklusen, dvs. hvor lenge verktøyet er slått av, hvor lenge det går på tomgang og hvor lenge startbryteren faktisk holdes trykket).

### EFs samsvarserklæring

*Gjelder kun for land i Europa*

EFs samsvarserklæring er lagt til som vedlegg A i denne bruksanvisningen.

## SIKKERHETSADVARSEL

### Generelle advarsler angående sikkerhet for elektroverktøy

**⚠ ADVARSEL:** Les alle sikkerhetsadvarsler, instruksjoner, illustrasjoner og spesifikasjoner som følger med dette elektroverktøyet. Hvis ikke alle instruksjonene nedenfor følges, kan det forekomme elektrisk støt, brann og/eller alvorlig skade.

### Oppbevar alle advarsler og instruksjoner for senere bruk.

Uttrykket «elektrisk verktøy» i advarslene refererer både til elektriske verktøy (med ledning) tilkoblet strømmettet, og batteridrevne verktøy (uten ledning).

### Sikkerhetsanvisninger for batteridrevet tilskjæringsmaskin

1. **Elektromaskinen skal holdes i de isolerte håndtakene, da kutteren kan komme i kontakt med skjulte ledninger.** Hvis en strømførende ledning kuttet, kan ikke-isolerte metalldeleler på maskinen bli strømførende og gi brukeren elektrisk støt.
2. **Bruk tvinger eller en annen praktisk måte for å sikre og støtte arbeidsstykket på en stabil plattform.** Hvis du holder det med hånden eller mot kroppen, kan det være ustabil og føre til at du mister kontrollen.
3. **Bruk hørselsvern ved lengre arbeidsøkter.**
4. **Tilskjæringsbitset skal håndteres meget forsiktig.**

5. Sjekk at det ikke finnes sprekker eller andre skader på tilskjæringsbitset, før du tar det i bruk. Skift ut sprukne eller ødelagte bits omgående.
  6. Unngå å skjære i spiker. Se etter og fjern alle spikre fra arbeidsstykket, før arbeidet påbegynnes.
  7. Hold godt fast i verktøyet.
  8. Hold hendene unna roterende deler.
  9. Forviss deg om at tilskjæringsbitset ikke er i kontakt med arbeidsstykket før startbryteren er slått på.
  10. La maskinen gå en liten stund, før du begynner å bruke den på et arbeidsstykke. Se etter vibrasjoner eller vingling som kan tyde på at bitset ikke er korrekt montert.
  11. Vær nøye med tilskjæringsbitsets dreieretning og arbeidsretning.
  12. Ikke gå fra verktøyet mens det er i gang. Verktøyet må bare brukes mens operatøren holder det i hendene.
  13. Før du fjerner verktøyet fra arbeidsstykket, må du alltid slå av maskinen og vente til tilskjæringsbitset har stoppet helt.
  14. Ikke rør tilskjæringsbitset umiddelbart etter bruk. Det kan være ekstremt varmt og kan gi brannskader.
  15. Ikke søl tynner, bensin, olje eller liknende på maskinfoten. Disse stoffene kan forårsake sprekker i maskinfoten.
  16. Bruk tilskjæringsbitset med riktig skaftdiameter som passer for verktøyets hastighet.
  17. Enkelte materialer inneholder kjemikalier som kan være giftige. Vis varsomhet for å hindre hudkontakt og innånding av støv. Følg leverandørens sikkerhetsanvisninger.
  18. Bruk alltid riktig støvmaske/pustemaske for materialet og bruksområdet du arbeider med.
4. Hvis du får elektrolytt i øynene, må du skylle dem med store mengder rennende vann og oppsøke lege med én gang. Denne typen uhell kan føre til varig blindhet.
  5. Ikke kortslutt batteriet:
    - (1) De kan være ekstremt varme og du kan brenne deg.
    - (2) Ikke lagre batteriet i samme beholder som andre metallgjenstander, som for eksempel spiker, mynter osv.
    - (3) Ikke la batteriet komme i kontakt med vann eller regn.
 En kortslutning av batteriet kan føre til et kraftig strømstøt, overopphvarming, mulige forbrenninger og til og med til at batteriet går i stykker.
  6. Ikke lagre maskinen og batteriet på steder hvor temperaturen kan komme opp i eller overskride 50 °C.
  7. Ikke sett fyr på batteriet, ikke engang om det er sterkt skadet eller helt utslitt. Batteriet kan eksplodere hvis det begynner å brenne.
  8. Vær forsiktig så du ikke mister batteriet eller utsetter det for slag.
  9. Ikke bruk batterier som er skadet.
  10. Lithium-ion-batteriene som medfølger er gjenstand for krav om spesialavfall. For kommersiell transport, f.eks av tredjeparter eller speditører, må spesielle krav om pakking og merking følges. Før varen blir sendt, må du forhøre deg med en ekspert på farlig materiale. Ta også hensyn til muligheten for mer detaljerte nasjonale bestemmelser. Bruk teip eller maskeringsteip for å skjule åpne kontakter og pakk inn batteriet på en slik måte at den ikke kan bevege seg rundt i emballasjen.
  11. Følg lokale bestemmelser for avhending av batterier.
  12. Bruk batteriene kun med produkter spesifisert av Makita. Montere batteriene i produkter som ikke er konforme kan føre til brann, overheting eller elektrolyttlekkasje.

## TA VARE PÅ DISSE INSTRUKSENE.

**⚠ ADVARSEL:** IKKE LA hensynet til hva som er "behagelig" eller det faktum at du kjenner produktet godt (etter mange gangers bruk) gjøre deg mindre oppmerksom på sikkerhetsreglene for bruken av det aktuelle produktet. Ved MISBRUK eller hvis ikke sikkerhetsreglene i denne bruksanvisningen følges, kan det oppstå alvorlig personskade.

### Viktige sikkerhetsanvisninger for batteriinnstas

1. Før du begynner å bruke batteriet, må du lese alle anvisninger og forsiktighetsregler på (1) batteriladeren, (2) batteriet og (3) det produktet batteriet skal brukes i.
2. Ikke ta fra hverandre batteriet.
3. Hvis driftstiden er blitt vesentlig kortere, må du omgående slutte å bruke maskinen. Hvis ikke kan resultatet bli overoppheting, mulige forbrenninger eller til og med en eksplosjon.

## TA VARE PÅ DISSE INSTRUKSENE.

**⚠ FORSIKTIG:** Bruk kun originale Makita-batterier. Bruk av batterier som har endret seg, eller som ikke er originale Makita-batterier, kan føre til at batteriet sprekker og forårsaker brann, personskader og andre skader. Det vil også ugyldiggjøre garantien for Makita-verktøyet og -laderen.

## Tips for å opprettholde maksimal batterilevetid

1. Lad batteriinnstaset før den er helt utladet. Stopp alltid driften av verktøyet og lad batteriinnstaset når du merker at effekten reduseres.
2. Lad aldri en batteriinnstaset som er fulladet. Overopplading forkorter batteriets levetid.
3. Lad batteriet i romtemperatur ved 10 °C - 40 °C. Et varmt batteri må kjøles ned før lading.
4. Lad batteriet hvis det ikke har vært brukt på en lang stund (over seks måneder).



# FUNKSJONSBEKRIVELSE

**⚠ FORSIKTIG:** Forviss deg alltid om at maskinen er slått av og batteriet tatt ut før du justerer maskinen eller kontrollerer dens mekaniske funksjoner.

## Sette inn eller ta ut batteri

**⚠ FORSIKTIG:** Slå alltid av verktøyet før du setter inn eller fjerner batteriet.

**⚠ FORSIKTIG:** Hold verktøyet og batteripatronen i et fast grep når du monterer eller fjerner batteripatronen. Hvis du ikke holder verktøyet og batteripatronen godt fast, kan du miste grepet, og dette kan føre til skader på verktøyet og batteripatronen samt personskader.

► **Fig.1:** 1. Rød indikator 2. Knapp 3. Batteriinnsetts

For å ta ut batteriet må du skyve på knappen foran på batteriet og trekke det ut.

Når du skal sette inn batteriet, må du plassere tungen på batteriet på linje med sporet i huset og skyve batteriet på plass. Skyv det helt inn til det går i inngrep med et lite klikk. Hvis du kan se den røde anviseren på oversiden av knappen, er det ikke fullstendig låst.

**⚠ FORSIKTIG:** Batteriet må alltid settes helt inn, så langt at den røde anviseren ikke lenger er synlig. Hvis dette ikke gjøres, kan batteriet komme til å falle ut av maskinen og skade deg eller andre som oppholder seg i nærheten.

**⚠ FORSIKTIG:** Ikke bruk makt når du setter i batteriet. Hvis batteriet ikke glir lett inn, er det fordi det ikke settes inn på riktig måte.

## Indikere gjenværende batterikapasitet

**Kun for batterier med indikatoren**

► **Fig.2:** 1. Indikatorlamper 2. Kontrollknapp

Trykk på sjekk-knappen på batteriet for vise gjenværende batterikapasitet. Indikatorlampene lyser i et par sekunder.

Indikatorlamper			Gjenværende batterinivå
Tent	Av	Bliker	
			75 % til 100 %
			50 % til 75 %
			25 % til 50 %
			0 % til 25 %
			Lad batteriet.
			Batteriet kan ha en feil.

**MERK:** Det angitte nivået kan avvike noe fra den faktiske kapasiteten alt etter bruksforholdene og den omgivende temperaturen.

## Batterivernsystem for verktøy/batteri

Verktøyet er utstyrt med et batterivernsystem for verktøy/batteri. Dette systemet kutter automatisk strømmen til motoren for å forlenge verktøyets og batteriets levetid. Verktøyet stopper automatisk under drift hvis verktøyet eller batteriet utsettes for en av følgende tilstander:

### Overlastsikring

Når batteriet brukes på en måte som gjør at det bruker unormalt mye strøm, vil verktøyet stoppe, helt automatisk og uten forvarsel. I dette tilfellet må du slå av verktøyet og avslutte bruken som forårsaket at verktøyet ble overbelastet. Slå deretter verktøyet på for å starte det igjen.

### Overopphetingsvern

Når verktøyet eller batteriet er overopphetet, stanser maskinen automatisk, og lampen blinker. I dette tilfellet, la verktøyet og batteriet avkjøles før du starter verktøyet på nytt.

### Overutladingsvern

Når det blir batterikapasiteten er utilstrekkelig, stopper verktøyet automatisk. I så fall fjerner du batteriet fra verktøyet og lader det.

## Bryterfunksjon

Slå på maskinen ved å trykke på sperreknappen. Maskinen går til ventemodus. Start maskinen med å trykke på start/stopp-knappen i ventemodus. Stopp maskinen ved å trykke på start/stopp-knappen igjen. Maskinen går til ventemodus. Slå av maskinen med å trykke på sperreknappen i ventemodus.

► **Fig.3:** 1. Sperreknapp 2. Start/stopp-knapp

**MERK:** Hvis maskinen er inaktiv i ventemodus i mer enn 10 sekunder, slår maskinen seg av automatisk, og lampen slukkes.

**MERK:** Du kan også stoppe og slå av maskinen ved å trykke på sperreknappen mens maskinen er i drift.

## Tenne frontlampen

**⚠ FORSIKTIG:** Ikke se inn i lyset eller se direkte på lyskilden.

Slå på lampen ved å trykke på sperreknappen. Slå av lampen ved å trykke på sperreknappen igjen.

**OBS:** Hvis maskinen blir overopphetet, flimrer lampen. Kjøøl ned maskinen helt før den brukes igjen.

**MERK:** Bruk en tørr klut til å tørke støv osv. av lampelinsen. Vær forsiktig så det ikke blir riper i lampelinsen, da dette kan redusere lysstyrken.

## Hastighetsinnstillingshjul

Maskinens rotasjonshastighet kan endres ved å dreie på hastighetsinnstillingshjulet. Tabellen nedenfor hvis tallet på innstillingshjulet og den tilsvarende rotasjonshastigheten.

► **Fig.4:** 1. Hastighetsinnstillingshjul

Tall	Hastighet
1	10 000 min <sup>-1</sup>
2	15 000 min <sup>-1</sup>
3	20 000 min <sup>-1</sup>
4	25 000 min <sup>-1</sup>
5	30 000 min <sup>-1</sup>

**OBS:** Hvis maskinen brukes lenge og kontinuerlig på lav hastighet, vil motoren bli overbelastet og slutte å virke som den skal.

**OBS:** Når du skal bevege hastighetsinnstillingshjulet fra "5" til "1", dreier du innstillingshjulet mot klokken. Ikke bruk makt for å dreie innstillingshjulet med klokken.

## Elektronisk funksjon

Maskinen er utstyrt med de elektroniske funksjonen for å gjøre den enkel å bruke.

- Konstant hastighetskontroll  
Hastighetskontrollfunksjonen sørger for konstant rotasjonshastighet uavhengig av belastningsforhold.
- Myk start  
Myk start-funksjonen reduserer oppstartssjokket til et minimum, og gjør at maskinen starter mykt.

## Justere skjæredybde

Hvis du vil justere skjæredybden, åpner du sperrehendelen, og deretter flytter du maskinfoten opp eller ned ved å vri på justeringsskruen. Etter justering må du lukke sperrehendelen godt.

► **Fig.5:** 1. Sperrehendel 2. Justeringsskrue

**OBS:** Hvis maskinen ikke er festet selv om sperrehendelen er lukket, strammer du sekskantmutteren, og deretter lukker du sperrehendelen.

► **Fig.6:** 1. Sekskantmutter

## Justere skjæredybde med senkefoten

### Valgfritt tilbehør

1. Plasser maskinen på den flate underlaget.
2. Velg stopperskruen ved å rotere stopperfoten.  
► **Fig.7:** 1. Stopperskrue 2. Stopperfot
3. Løsne festemutteren på stopperstangen, og dra deretter stopperstangen oppover mens du trykker på mateknappen.  
► **Fig.8:** 1. Stopperstang 2. Festemutter 3. Mateknapp

4. Skyv maskinen ned til spissen av tilskjæringsbiten berører det flate underlaget, og drei deretter festespaken for å feste maskinen.

► **Fig.9:** 1. Festespak 2. Tilskjæringsbits

5. Trykk stopperstangen nedover samtidig som du trykker på mateknappen, til stangen kommer i kontakt med stopperskruen.

► **Fig.10:** 1. Stopperstang 2. Stopperskrue 3. Mateknapp

6. Skyv dybdepekeren slik at pekeren angir "0" på skalaen.

► **Fig.11:** 1. Dybdepeker

7. Juster skjæredybden ved å dra stopperstangen oppover mens du trykker på mateknappen.

► **Fig.12:** 1. Stopperstang 2. Mateknapp

8. Hvis du vil finjustere skjæredybden, dreier du innstillingshjulet på stopperstangen slik at det angir "0".

► **Fig.13:** 1. Innstillingshjul

9. Drei hodet på stopperstangen for å oppnå ønsket dybde. Hvis du vil øke dybden, dreier du hodet mot klokken. Hvis du vil redusere dybden, dreier du hodet med klokken.

► **Fig.14:** 1. Hode på stopperstangen

10. Stram stopperstangens festemutter.

► **Fig.15:** 1. Festemutter

11. Slipp festespaken.

► **Fig.16:** 1. Festespak

## MONTERING

**⚠FORSIKTIG:** Forviss deg alltid om at maskinen er slått av og batteriet tatt ut før du utfører noe arbeid på maskinen.

## Montere eller demontere tilskjæringsbits

**OBS:** Ikke stram kjoksmutteren uten at du har satt inn bitsen. Kjokskonusen kan knekke.

Sett tilskjæringsbitsen helt inn i kjokskonusen. Trykk på spindellåsen, og stram kjoksmutteren med skrunøkkel, eller stram kjoksmutteren godt med to skrunøkler. Ta ut bitsen ved å følge monteringsprosedyren i motsatt rekkefølge.

► **Fig.17:** 1. Spindellås 2. Løsne 3. Stramme 4. Skrunøkkel 5. Kjoksmutter

► **Fig.18:** 1. Skrunøkkel 2. Løsne 3. Stramme 4. Kjoksmutter

**MERK:** Det kan hende at spindellåsen ikke går tilbake til opprinnelig stilling når du strammer kjoksmutteren ved montering av tilskjæringsbitsen. Spindellåsen går tilbake til opprinnelig stilling når du starter maskinen.

► **Fig.19:** 1. Spindellås

## Montere eller demontere foten på tilskjæringsmaskinen

1. Åpne sperrehendelen på foten på tilskjæringsmaskinen, og sett maskinen inn i foten på tilskjæringsmaskinen mens du innretter maskinen med fremspringet på foten på tilskjæringsmaskinen.

► **Fig.20:** 1. Sperrehendel

**MERK:** Du kan bruke foten på tilskjæringsmaskinen (harpiks) som valgfritt tilbehør som vist i figuren. Når du bruker foten på tilskjæringsmaskinen (harpiks), løsner eller strammer du fingermutteren i stedet for å åpne eller lukke låsehendelen.

► **Fig.21:** 1. Fingermutter

2. Lukk sperrehendelen.

3. Fest støvmunnstykket til foten på tilskjæringsmaskinen, og stram deretter fingerskrue.

► **Fig.22:** 1. Støvmunnstykke 2. Fingerskrue

► **Fig.23**

Demonter foten ved å følge monteringsprosedyren i motsatt rekkefølge.

**⚠FORSIKTIG:** Sørg for å montere støvmunnstykket på foten på tilskjæringsmaskinen før du bruker maskinen med foten på tilskjæringsmaskinen.

## Montere eller demontere vippefoten

### Valgfritt tilbehør

1. Åpne sperrehendelen på vippefoten, og sett maskinen inn i vippefoten mens du innretter maskinen med fremspringet på vippefoten.

► **Fig.24:** 1. Sperrehendel

2. Lukk sperrehendelen.

Demonter foten ved å følge monteringsprosedyren i motsatt rekkefølge.

## Montere eller demontere den forskjøvede foten

### Valgfritt tilbehør

1. Trykk på spindellåsen, og deretter løsner du kjoksmutteren.

► **Fig.25:** 1. Kjoksmutter 2. Spindellås 3. Skrunøkkel

2. Fjern kjoksmutteren og kjokskonusen.

► **Fig.26:** 1. Kjoksmutter 2. Kjokskonus

3. Monter trinsen på maskinen ved å trykke på spindellåsen og stramme trinsen med en skrunøkkel.

► **Fig.27:** 1. Skrunøkkel 2. Trinse 3. Spindellås

4. Løse skruene på fotplaten, og fjern fotplaten.

► **Fig.28:** 1. Fotplate

5. Åpne sperrehendelen på den forskjøvede foten, og sett maskinen inn i den forskjøvede foten.

► **Fig.29:** 1. Sperrehendel

6. Monter båndet på trinsen ved å rotere båndet manuelt.

► **Fig.30:** 1. Trinse 2. Bånd

7. Lukk sperrehendelen.

► **Fig.31:** 1. Sperrehendel

8. Fest fotplaten ved å stramme skruene.

► **Fig.32:** 1. Fotplate

9. Sett kjokskonusen og tilskjæringsbitsen inn i den forskjøvede foten, og stram deretter kjoksmutteren.

► **Fig.33:** 1. Tilskjæringsbits 2. Kjoksmutter 3. Kjokskonus

10. Sett sekskantnøkkelen inn i hullet i den forskjøvede foten, og stram deretter kjoksmutteren med skrunøkkel.

► **Fig.34:** 1. Kjoksmutter 2. Skrunøkkel 3. Sekskantnøkkel

Demonter foten ved å følge monteringsprosedyren i motsatt rekkefølge.

**MERK:** Du kan også montere båndet på trinsen uten å fjerne fotplaten, som vist i figuren.

► **Fig.35:** 1. Trinse 2. Bånd

## Montere eller demontere senkefoten

### Valgfritt tilbehør

1. Åpne sperrehendelen på senkefoten, og sett maskinen helt inn i senkefoten mens du innretter maskinen med fremspringet på senkefoten.

► **Fig.36:** 1. Sperrehendel

2. Lukk sperrehendelen.

Demonter foten ved å følge monteringsprosedyren i motsatt rekkefølge.

## Montere eller demontere parallellinjalen på senkefoten

### Valgfritt tilbehør

Sett føringsstengene inn i hullene i senkefoten, og stram deretter vingeboltene. Demonter linjalen ved å følge monteringsprosedyren i motsatt rekkefølge.

► **Fig.37:** 1. Vingebolt 2. Føringsstang

## Montere eller demontere støvmunnstykket på senkefoten

Sett støvmunnstykket inn i senkefoten slik at fremspringet på støvmunnstykket går inn i hakket i senkefoten, og stram deretter fingerskrue på støvmunnstykket. Demonter munnstykket ved å følge monteringsprosedyren i motsatt rekkefølge.

► **Fig.38:** 1. Fremspring 2. Støvmunnstykke 3. Fingerskrue

► **Fig.39**

## BRUK

### Bruke maskinen med foten på tilskjæringsmaskinen

Sett maskinfoten på arbeidsstykket uten at tilskjæringsbitsen kommer i kontakt med arbeidsstykket. Slå på maskinen, og vent til bitsen oppnår full hastighet. Beveg maskinen fremover på arbeidsstykkets overflate. Hold maskinfoten i flukt med arbeidsstykket mens du beveger maskinen.

Når du skal skjære kanten, må arbeidsstykkets overflate være på venstre side av tilskjæringsbitsen i materetningen.

► Fig.40

**MERK:** Det anbefales å foreta en prøveskjæring før du skjærer selve arbeidsstykket. Riktig matehastighet avhenger av størrelsen på tilskjæringsbitsen, arbeidsstykketypen og skjæredybden. Beveger du maskinen fremover for raskt, kan det føre til dårlig skjærekvalitet eller skader på bitsen eller motoren. Beveger du maskinen for sakte, kan du brenne eller skade skjæreeverflaten.

Når du bruker skjæreskoen, den rette føringen eller skjæreføringen, må du forsikre deg om at de er på riktig side i materetningen. Dette vil hjelpe deg med å holde den i flukt med siden på arbeidsstykket.

► Fig.41: 1. Tilskjæringsbits 2. Arbeidsstykke 3. Rett føring

**OBS:** Ettersom overdreven skjæring kan overbelaste motoren eller føre til vanskeligheter med å kontrollere maskinen, må ikke skjæredybden være mer enn 3 mm på det dypeste når du skjærer spor. Hvis du ønsker å skjære spor som er dypere enn 3 mm må du foreta flere skjæringer med gradvis dypere bitsinnstillinger.

### Bruke den rette føringen

#### Valgfritt tilbehør

1. Monter den rette føringen med skruen og vingemutteren.

► Fig.42: 1. Skruer 2. Vingemutter

2. Fest den rette føringen på foten på tilskjæringsmaskinen med klemskruen.

► Fig.43: 1. Klemskrue

3. Løsne vingemutteren på den rette føringen, og juster avstanden mellom bitsen og føringen. Stram vingemutteren i ønsket avstand.

► Fig.44: 1. Vingemutter

4. Beveg verktøyet med den rette føringen i flukt med siden på arbeidsstykket.

► Fig.45

Hvis avstanden (A) mellom siden på arbeidsstykket og skjærestillingen er for bred for den rette føringen, eller hvis arbeidsstykket ikke er rett, kan ikke denne føringen brukes. I slike tilfeller må du klemme fast en rett planker til arbeidsstykket og bruke denne som en føring mot foten på tilskjæringsmaskinen. Mat maskinen i pilens retning.

► Fig.46

### Bruke den rette føringen til sirkelarbeid

Denne rette føringen monteres som vist i figurene når du skal utføre sirkelarbeid. Minimums- og maksimalradius for sirkelene som skal skjæres (avstand mellom senter i sirkelen og senter på bitsen) er som følger:

- Minimum: 70 mm
- Maksimum: 221 mm

For å skjære sirkler mellom 70 mm og 121 mm i radius.

► Fig.47: 1. Senterhull

For å skjære sirkler mellom 121 mm og 221 mm i radius.

► Fig.48: 1. Senterhull

**MERK:** Sirkler med radius mellom 172 mm og 186 mm kan ikke skjæres ved hjelp av denne føringen.

Rett inn senterhullet i den rette føringen mot senter i sirkelen som skal skjæres. Slå en spiker på under 6 mm i diameter inn i senterhullet for å sikre føringen. Drei maskinen rundt spikeren med klokken.

► Fig.49: 1. Spiker 2. Senterhull

### Bruke malføringen

#### Valgfritt tilbehør

Malføringen gjør det mulig å utføre gjentatte skjæringer med malmønster ved å bruke en mal.

1. Løse skruene på fotplaten, og fjern deretter fotplaten fra foten på tilskjæringsmaskinen.

2. Plasser malføringen på foten, og fest deretter fotplaten ved å stramme skruene.

► Fig.50: 1. Fotplate 2. Malføring

3. Plasser maskinen på malen, og beveg maskinen med malføringen langs siden på malen.

► Fig.51

**MERK:** Det faktiske skjærestørrelsen på arbeidsstykket avviker noe fra malen. Avviket er avstanden (X) mellom tilskjæringsbitsen og utsiden av malføringen. Avstanden (X) kan beregnes med følgende ligning:

Avstand (X) = (utvendig diameter på malføringen – tilskjæringsbitsdiameter) / 2

► Fig.52: 1. Tilskjæringsbits 2. Malføring 3. Avstand (X) 4. Malføringens utvendige diameter

### Bruke skjæreføringen

#### Valgfritt tilbehør

Skjæreføringen gjør det mulig å skjære den buede siden av finér for møbler ved å bevege føringssrullen langs siden av arbeidsstykket.

► Fig.53

1. Løsne klemskruen, og deretter monterer du skjæreføringen på foten på tilskjæringsmaskinen før du strammer klemskruen.

► Fig.54: 1. Klemskrue

2. Løsne klemskruen, og juster avstanden mellom tilskjæringsbitsen og skjæreføringen ved å dreie på justeringssskruen (1 mm per omdreining). Når avstanden er slik du vil ha den, må du stramme klemskruen for å feste skjæreføring på riktig sted.

► **Fig.55:** 1. Justeringssskrue 2. Klemskrue

3. Beveg verktøyet med føringsrullen langs siden på arbeidsstykket.

► **Fig.56:** 1. Arbeidsstykke 2. Bits 3. Føringsrull

## Bruke maskinen med vippefoten

Vippefoten er praktisk for skråskjæring. Løsne vingeskruene, og vipp deretter maskinen i ønsket vinkel før du strammer vingeskruene.

Klem en rett planke fast mot arbeidsstykket, og bruk den som en føring mot vippefoten. Mat maskinen i pilens retning.

► **Fig.57:** 1. Vingeskrue

## Bruke vippefotplaten med foten på tilskjæringsmaskinen

Hvis du vil bruke foten på tilskjæringsmaskinen med en firkantet fotplate, fjerner du fotplaten fra vippefoten og fester den til foten på tilskjæringsmaskinen.

► **Fig.58:** 1. Vippefotplate 2. Fotplate på tilskjæringsmaskinen

## Bruke maskinen med den forskjøvede foten

Den forskjøvede foten er nyttig for jobbing på trange steder, som for eksempel i et hjørne.

► **Fig.59**

## Bruke foten på tilskjæringsmaskinen med den forskjøvede fotplaten og grep

Den forskjøvede fotplaten kan også brukes med en fot på tilskjæringsmaskinen og et håndtakfeste (valgfritt tilbehør) for bedre stabilitet.

1. Løse skruene på fotplaten, og fjern deretter fotplaten fra den forskjøvede fotplaten.

► **Fig.60:** 1. Forskjøvet fotplate 2. Fotplate på tilskjæringsmaskinen

2. Fest den forskjøvede fotplaten til foten på tilskjæringsmaskinen ved å stramme skruene.

3. Fest håndtakfestet og stanghåndtaket til den forskjøvede fotplaten ved å stramme skruene.

► **Fig.61:** 1. Stanghåndtak 2. Håndtakfeste

Kulehåndtaket som er demontert fra senkefoten kan monteres på den forskjøvede foten i stedet for stanghåndtaket.

► **Fig.62:** 1. Skrue 2. Kulehåndtak

## Bruke maskinen med senkefoten

Hold alltid godt fast i håndtakene med begge hendene ved bruk. Bruk verktøyet på sammen måte som foten på tilskjæringsmaskinen.

## Bruke den rette føringen

### Valgfritt tilbehør

1. Monter den rette føringen på føringsholderen ved å stramme vingemutteren. Sett føringsholderen inn i hullene i senkefoten, og stram deretter vingeboltene.

► **Fig.63:** 1. Vingebolt 2. Føringsholder 3. Vingemutter 4. Rett føring

2. Løsne vingemutteren på den rette føringen, og juster avstanden mellom bitsen og føringen. Stram vingemutteren i ønsket avstand.

► **Fig.64:** 1. Vingemutter

3. Bruk verktøyet på sammen måte som den rette føringen for foten på tilskjæringsmaskinen.

► **Fig.65**

## Bruke malføringen

### Valgfritt tilbehør

1. Løsne skruene på foten, og fjern dem. Plasser malføringen på foten, og stram deretter skruene.

► **Fig.66:** 1. Skrue 2. Malføring

2. Bruk verktøyet på sammen måte som malføringen for foten på tilskjæringsmaskinen.

► **Fig.67**

## Bruke parallellinjalen

Parallellinjalen er nyttig når du skal skråskjære eller skjære spor. Juster avstanden mellom bitsen og parallellinjalen. Når avstanden er slik du vil ha den, må du stramme vingeboltene for å feste parallellinjalen. Når du skjærer, må du bevege maskinen med parallellinjalen i flukt med siden på arbeidsstykket.

► **Fig.68**

Hvis avstanden (A) mellom siden på arbeidsstykket og skjærestillingen er for bred for parallellinjalen, eller hvis arbeidsstykket ikke er rett, kan ikke parallellinjalen brukes.

I slike tilfeller må du klemme fast en rett planke til arbeidsstykket og bruke denne som en føring mot senkefoten. Mat maskinen i pilens retning.

► **Fig.69**

## Bytte fra kulehåndtak til stanghåndtak

Når du skal montere stanghåndtaket på senkefoten, løsner du skruen på kulehåndtaket, fjerner kulehåndtaket og monterer deretter stanghåndtaket ved å stramme det.

► **Fig.70:** 1. Kulehåndtak 2. Skrue 3. Stanghåndtak

## VEDLIKEHOLD

**⚠️FORSIKTIG:** Forviss deg alltid om at maskinen er slått av og batteriet tatt ut før du foretar inspeksjon eller vedlikehold.

**OBS:** Aldri bruk gasolin, bensin, tynner alkohol eller lignende. Det kan føre til misfarging, deformering eller sprekkdannelse.

For å opprettholde produktets SIKKERHET og PÅLITELIGHET, må reparasjoner, vedlikehold og justeringer utføres av autoriserte Makita servicesentre eller fabrikkservicesentre, og det må alltid brukes reservedeler fra Makita.

## VALGFRITT TILBEHØR

**⚠️FORSIKTIG:** Det anbefales at du bruker dette tilbehøret eller verktøyet sammen med den Makita-maskinen som er spesifisert i denne håndboken. Bruk av annet tilbehør eller verktøy kan forårsake personskader. Tilbehør og verktøy må kun brukes til det formålet det er beregnet på.

Ta kontakt med ditt lokale Makita-servicesenter hvis du trenger mer informasjon om dette tilbehøret.

- Rette og sporformende bits
- Kantformende bits
- Laminatskjærebiter
- Enhet for rett føring
- Skjæreføringsenhet
- Foten på tilskjæringsmaskinen
- Foten på tilskjæringsmaskinen (harpiks)
- Vippefotenhet
- Senkefotenhet
- Forskjøvet fot-enhet
- Håndtakfeste
- Malføring
- Kjøkskonus 6 mm
- Kjøkskonus 6,35 mm (1/4")
- Kjøkskonus 8 mm
- Kjøkskonus 9,53 mm (3/8")
- Skrunøkkel 13
- Skrunøkkel 22
- Makita originalbatteri og lader

**MERK:** Enkelte elementer i listen kan være inkludert som standardtilbehør i verktøypakken. Elementene kan variere fra land til land.

## Tilskjæringsbits

### Retts bits

#### ► Fig.71

	D	A	L1	L2
20	6	20	50	15
20E	1/4"			
8	8	8	60	25
8	6		50	18
8E	1/4"			
6	6	6	50	18
6E	1/4"			

Enhet: m

### "U"-sporbits

#### ► Fig.72

	D	A	L1	L2	R
6	6	6	50	18	3
6E	1/4"				

Enhet: m

### "V"-sporbits

#### ► Fig.73

D	A	L1	L2	θ
1/4"	20	50	15	90°

Enhet: m

### Utjevningsskjæringsbits for borspiss

#### ► Fig.74

	D	A	L1	L2	L3
8	8	8	60	20	35
6	6	6		18	28
6E	1/4"				

Enhet: m

### Dobbelt utjevningsskjæringsbits for borspiss

#### ► Fig.75

	D	A	L1	L2	L3	L4
8	8	8	80	95	20	25
6	6	6	70	40	12	14
6E	1/4"					

Enhet: m

### Hjørnefresbits

#### ► Fig.76

	D	A1	A2	L1	L2	L3	R
8R	6	25	9	48	13	5	8
8RE	1/4"						
4R	6	20	8	45	10	4	4
4RE	1/4"						

Enhet: m

**Skråfasebits**

## ► Fig.77

D	A	L1	L2	L3	θ
6	23	46	11	6	30°
6	20	50	13	5	45°
6	20	49	14	2	60°

Enhet: m

**Rund pregingsbits**

## ► Fig.78

D	A	L1	L2	R
6	20	43	8	4
6	25	48	13	8

Enhet: m

**Utjevningsskjærbits for kulelager**

## ► Fig.79

D	A	L1	L2
6	10	50	20
1/4"			

Enhet: m

**Hjørnefresbits for kulelager**

## ► Fig.80

D	A1	A2	L1	L2	L3	R
6	15	8	37	7	3,5	3
6	21		40	10		6
1/4"						

Enhet: m

**Skråfasebits for kulelager**

## ► Fig.81

D	A1	A2	L1	L2	θ
6	26	8	42	12	45°
1/4"					
6	20		41	11	60°

Enhet: m

**Pregingsbits for kulelager**

## ► Fig.82

D	A1	A2	A3	L1	L2	L3	R
6	20	12	8	40	10	5,5	4
6	26			42	12	4,5	7

Enhet: m

**Rundt pregingsbits for kulelager**

## ► Fig.83

D	A1	A2	A3	A4	L1	L2	L3	R
6	20	18	12	8	40	10	5,5	3
6	26	22			42	12	5	5

Enhet: m

**Romersk karnissbits for kulelager**

## ► Fig.84

D	A1	A2	L1	L2	L3	R1	R2
6	20	8	40	10	4,5	2,5	4,5
6	26		42	12		3	6

Enhet: m

## TEKNISET TIEDOT

Malli:	DRT50
Kirstysholkin kapasiteetti	6 mm, 8 mm, 1/4", tai 3/8"
Kuormittamaton kierrosnopeus	10 000 - 30 000 min <sup>-1</sup>
Kokonaispituus	226 mm
Nimellisjännite	DC 18 V
Vakio akkupaketti	BL1815N / BL1820 / BL1820B / BL1830 / BL1830B / BL1840 / BL1840B / BL1850 / BL1850B / BL1860B
Nettopaino	1,8 - 2,1 kg

- Jatkuvasta tutkimus- ja kehitystyöstämme johtuen esitetyt tekniset tiedot saattavat muuttua ilman erillistä ilmoitusta.
- Tekniset tiedot ja akkupaketti voivat vaihdella maittain.
- Paino voi olla erilainen lisävarusteista sekä akusta johtuen. EPTA-menettelytavan 01/2014 mukaisesti, taulukossa on kuvattu kevyin ja painavin laiteyhdistelmä.

## Käyttötarkoitus

Laite on tarkoitettu puun, muovin ja vastaavien materiaalien tasojuersintään ja profilointiin.

## Melutaso

Tyypillinen A-painotettu melutaso määräytyy standardin EN60745 mukaan:

Äänenpainetaso ( $L_{pA}$ ): 78 dB (A)

Virhemarginaali (K): 3 dB (A)

**VAROITUS:** Käytä kuulosuojaimia.

## Tärinä

Kokonaistärinä (kolmen akselin vektorien summa)

määräytyy standardin EN60745 mukaan:

Työtilla: pyöriminen ilman kuormaa

Tärinäpäästö ( $a_{h1}$ ): 2,5 m/s<sup>2</sup> tai alhaisempi

Virhemarginaali (K): 1,5 m/s<sup>2</sup>

Työtilla: urien leikkaaminen MDF-levvyyn

Tärinäpäästö ( $a_{h1}$ ): 4,5 m/s<sup>2</sup>

Virhemarginaali (K): 1,5 m/s<sup>2</sup>

**HUOMAA:** Ilmoitettu tärinäpäästöarvo on mitattu standarditestausmenetelmän mukaisesti, ja sen avulla voidaan vertailla työkaluja keskenään.

**HUOMAA:** Ilmoitettua tärinäpäästöarvoa voidaan käyttää myös altistumisen alustavaan arviointiin.

**VAROITUS:** Työkalun käytön aikana mitattu todellinen tärinäpäästöarvo voi poiketa ilmoitetusta tärinäpäästöarvosta työkalun käyttötavan mukaan.

**VAROITUS:** Selvitä käyttäjän suojaamiseksi tarvittavat varoitimet todellisissa käyttöolosuhteissa tapahtuvan arvioitun altistumisen mukaisesti (ottaen huomioon käyttöjakso kokonaisuudessaan, myös jaksot, joiden aikana työkalu on sammutettuna tai käy tyhjäkäynnillä).

## EY-vaatimustenmukaisuusvakuutus

**Koskee vain Euroopan maita**

EY-vaatimustenmukaisuusvakuutus on liitetty tähän käyttöoppaaseen.

## TURVAVAROITUKSET

### Sähkötyökalujen käyttöä koskevat yleiset varoitukset

**VAROITUS:** Tutustu kaikkiin tämän sähkötyökalun mukana toimitettuihin varoituksiin, ohjeisiin, kuviin ja teknisiin tietoihin. Seuraavassa lueteltujen ohjeiden noudattamatta jättäminen saattaa johtaa sähköiskuun, tulipaloon tai vakavaan vammautumiseen.

### Säilytä varoitukset ja ohjeet tulevaa käyttöä varten.

Varoituksissa käytettävällä termillä "sähkötyökalu" tarkoitetaan joko verkkovirtaa käyttävää (johdollista) työkalua tai akkukäyttöistä (johdotonta) työkalua.

### Akkukäyttöistä jyrästä koskevat turvallisuusvaroitukset

1. **Pidä sähkötyökalusta kiinni vain sen eristeistä tartuntapinnoista, sillä terä saattaa osua pilolissa oleviin johtoihin.** Jos terä osuu jännitteelliseen johtoon, jännite voi siirtyä laitteen sähköä johtaviin metalliosiin ja aiheuttaa käyttäjälle sähköiskun.
2. **Kiinnitä ja tue työkalupale tukevalle alustalle puristimilla tai muulla käytännöllisellä tavalla.** Työkalupaleen piteleminen käsin tai vartaloa vasten ei tue työkalupalea riittävästi ja voi johtaa hallinnan menetykseen.



3. Käytä kuulosuojaimia, jos käytät laitetta pitkään yhtäjaksoisesti.
4. Käsittele jyrssinteriä hyvin huolellisesti.
5. Tarkasta, ettei jyrssinkärjessä ole halkeamia tai vikoja, ennen kuin aloitat työskentelyn. Vaihda halkeileva tai muuten vahingoittunut kärki heti uuteen.
6. Vältä naulojen sahaamista. Tarkasta työkapale ja poista kaikki nauulat ennen työstöä.
7. Ota koneesta luja ote.
8. Pidä kädet loitolla pyörivistä osista.
9. Varmista, ettei jyrssinkärki kosketa työkapaletta, ennen kuin kytkin käännetään päälle.
10. Anna koneen käydä jonkin aikaa, ennen kuin alat työstää työkapaletta. Jos jyrssinkärki pyörii epätasaisesti tai täristen, se voi olla väärin asennettu.
11. Ole huolellinen jyrssinkärjen pyörimissuunnan ja syötteen suunnan suhteen.
12. Älä jätä työkalua käymään itseksensä. Käytä työkalua vain silloin, kun pidät sitä kädessä.
13. Sammuuta aina laite ja odota, kunnes jyrssinkärki on täysin pysähtynyt ennen työkalun poistamista työkapaleesta.
14. Älä kosketa jyrssintä välittömästi käytön jälkeen, sillä se saattaa olla erittäin kuuma ja polttaa ihoasi.
15. Älä tahraa työkalun pohjaa huolimattomasti tinnerillä, bensiinillä, öljyllä tai vastaavalla. Ne voivat aiheuttaa halkeamia työkalu pohjaan.
16. Käytä jyrssinteriä, joiden karan halkaisija on sopiva työkalun pyörimisnopeudelle.
17. Jotkin materiaalit sisältävät kemikaaleja, jotka voivat olla myrkyllisiä. Huolehdi, että pölyn sisäinhengittämistä ja ihokosketusta vältetään. Noudata materiaalin toimittajan turvaohjeita.
18. Käytä aina työstettävän materiaalin ja käyttö-tarkoituksen mukaan valittua pölynaamaaria/hengityssuojainta.
5. Älä oikosulje akkua.
  - (1) Älä koske akun napoihin millään sähköä johtavalla materiaaalilla.
  - (2) Vältä akun oikosulkemista äläkä säilytä akkua yhdessä muiden metalliesineiden, kuten naulojen, kolikoiden ja niin edelleen kanssa.
  - (3) Älä aseta akkua alttiiksi vedelle tai sateelle.

Oikosulku voi aiheuttaa virtapiikin, yli-kuumentumista, palovammoja tai laitteen rikkoutumisen.
6. Älä säilytä työkalua ja akkua paikassa, jossa lämpötila voi nousta 50 °C:een tai sitäkin korkeammaksi.
7. Älä hävitä akkua polttamalla, vaikka se olisi pahoin vaurioitunut tai täysin loppuun kulunut. Avotuli voi aiheuttaa akun räjähtämisen.
8. Varo kolhimasta tai pudottamasta akkua.
9. Älä käytä viallista akkua.
10. Sisältyviä litium-ioni-akkuja koskevat vaarallisten aineiden lainsäädännön vaatimukset. Esimerkiksi kolmansien osapuolten huolintaliikkeiden tulee kaupallisissa kuljetuksissa noudattaa pakkaamista ja merkintöjä koskevia erityisvaatimuksia. Lähetettävän tuotteen valmistelu edellyttää vaarallisten aineiden asiantuntijan neuvontaa. Huomioi myös mahdollisesti yksityiskohtaisemmat kansalliset määräykset  
Akun avoimet liittimet tulee suojata teipillä tai suojuksella ja pakkaaminen tulee tehdä niin, ettei akku voi liikkua pakkauksessa.
11. Hävitä akku paikallisten määräysten mukaisesti.
12. Käytä akkua vain Makitan ilmoittamien tuotteiden kanssa. Akkujen asentaminen yhteensopimattomiin tuotteisiin voi aiheuttaa tulipalon, liiallisen ylikuumentumisen, räjähdysen tai akkuneustevuotoja.

## SÄILYTÄ NÄMÄ OHJEET.

**VAROITUS:** ÄLÄ anna työkalun heppokäyttöisyyden (toistuvan käytön aikaansaama) johtaa sinua väärään turvallisuuden tunteeseen niin, että laiminlyöt työkalun turvaohjeiden noudattamisen. **VÄÄRINKÄYTTÖ** tai tässä käyttöohjeessa ilmoitettujen turvamääräysten laiminlyönti voi aiheuttaa vakavia henkilövahinkoja.

## Akkupakettia koskevia tärkeitä turvaohjeita

1. Ennen akun käyttöönottoa tutustu kaikkiin laturissa (1), akussa (2) ja akkukäyttöisessä tuotteessa (3) oleviin varoitusteksteihin.
2. Älä pura akkua.
3. Jos akun toiminta-aika lyhenee merkittävästi, lopeta akun käyttö. Seurauksena voi olla ylikuumentuminen, palovammoja tai jopa räjähdys.
4. Jos akkuneustettä pääsee silmiin, huuhtelee puhtaalla vedellä ja hakeudu välittömästi lääkärin hoitoon. Akkuneuste voi aiheuttaa näön menetyksen.

## SÄILYTÄ NÄMÄ OHJEET.

**HUOMIO:** Käytä vain alkuperäisiä Makita-akkuja. Muiden kuin aitojen Makita-akkujen, tai mahdollisesti muutettujen akkujen käyttö voi johtaa akun murtumiseen ja aiheuttaa tulipaloja, henkilö- ja omaisuusvahinkoja. Se mitätöi myös Makita-työkalun ja -laturin Makita-takuun.

## Vihjeitä akun käyttöön pidentämiseksi

1. Lataa akku ennen kuin se purkautuu täysin. Lopeta aina työkalun käyttö ja lataa akku, jos huomaat työkalun tehon vähenevän.
2. Älä koskaan lataa uudestaan täysin ladattua akkua. Ylilataaminen lyhentää akun käyttöikää.
3. Lataa akku huoneen lämpötilassa välillä 10 °C - 40 °C. Anna kuuman akun jäähtyä ennen lataamista.
4. Lataa akkupaketti, jos et käytä sitä pitkään aikaan (yli kuusi kuukautta).

# TOIMINTOJEN KUVAUS

**⚠HUOMIO:** Varmista aina ennen säätöjä ja tarkastuksia, että työkalu on sammutettu ja akkupaketti irrotettu.

## Akun asentaminen tai irrottaminen

**⚠HUOMIO:** Sammuta työkalu aina ennen akun kiinnittämistä tai irrottamista.

**⚠HUOMIO:** Pidä työkalusta ja akusta tiukasti kiinni, kun irrotat tai kiinnität akkua. Jos akkupaketti tai työkalu putoaa, ne voivat vaurioitua tai aiheuttaa tapaturman.

- **Kuva1:** 1. Punainen merkkivalo 2. Painike  
3. Akkupaketti

Irrota akku painamalla akun etupuolella olevaa painiketta ja vetämällä akku ulos työkalusta.

Akku liitetään sovittamalla akun kieleke rungon uraan ja työntämällä se sitten paikoilleen. Työnnä akku pohjaan asti niin, että kuulet sen napsahtavan paikoilleen. Jos painikkeen yläpuolella näkyy punainen ilmaisin, akku ei ole lukkiutunut täysin paikoilleen.

**⚠HUOMIO:** Työnnä akku aina pohjaan asti, niin että punainen ilmaisin ei enää näy. Jos akku ei ole kunnolla paikallaan, se voi pudota työkalusta ja aiheuttaa vammoja joko sinulle tai sivullisille.

















**⚠HUOMIO:** Älä käytä voimaa akun asennuksessa. Jos akku ei liu'u paikalleen helposti, se on väärässä asennossa.

## Akun jäljellä olevan varaustason ilmaisin

**Vain akkupaketeille ilmaisimella**

- **Kuva2:** 1. Merkkivalot 2. Tarkistuspainike

Painamalla tarkistuspainiketta saat näkyviin akun jäljellä olevan varausten. Merkkivalot palavat muutaman sekunnin ajan.

Merkkivalot			Akussa jäljellä olevan varaus
 Palaa	 Pois päältä	 Viilkuu	
			75% - 100%
			50% - 75%
			25% - 50%
			0% - 25%
			Lataa akku.
			Akussa on saattanut olla toimintahäiriö.
			

**HUOMAA:** Ilmoitettu varaustaso voi erota hieman todellisesta varaustasosta sen mukaan, millaisissa oloissa ja missä lämpötilassa laitetta käytetään.

## Työkalun/akun suojausjärjestelmä

Työkalu on varustettu työkalu/akun suojausjärjestelmällä. Tämä järjestelmä pidentää työkalun ja akun käyttöikää katkaisemalla automaattisesti moottorin virran. Työkalu pysähtyy automaattisesti kesken käytön, jos työkalussa tai akussa ilmenee jokin seuraavista tilanteista:

### Ylikuormitussuoja

Kun työkalua käytetään tavalla, mikä saa sen kulutamaan epätavallisen suuren määrän virtaa, työkalu pysähtyy automaattisesti ilman mitään merkkivaloa tai ilmaisinta. Katkaise tässä tilanteessa työkalusta virta ja lopeta ylikuormitustilan aiheuttanut käyttö. Käynnistä sitten työkalu uudelleen kytkemällä siihen virta.

### Ylikuumenemissuoja

Työkalun ylikuumentessa se pysähtyy automaattisesti ja lamppu alkaa vilkkua. Anna silloin työkalun/akun jäähtyä, ennen kuin kytket työkaluun uudelleen virran.

### Ylipurkautumissuoja

Kun akun varaus on riittämätön, työkalu pysähtyy automaattisesti. Irrota silloin akku työkalusta ja lataa se.

## Kytkimen käyttäminen

Käynnistä laite painamalla lukitus-/vapautuspainiketta. Laite siirtyy valmiustilaan. Käynnistä laite painamalla käynnistys-/sammutuspainiketta valmiustilassa. Pysäytä laite painamalla uudelleen käynnistys-/sammutuspainiketta. Laite siirtyy valmiustilaan. Sammuta laite painamalla käynnistys-/sammutuspainiketta valmiustilassa.

- **Kuva3:** 1. Lukitus-/vapautuspainike 2. Käynnistys-/sammutuspainike

**HUOMAA:** Jos laitetta ei käytetä valmiustilassa 10 sekunnin aikana, laite sammuu automaattisesti ja lamppu sammuu.

**HUOMAA:** Voit myös pysäyttää ja sammuttaa laitteen painamalla lukitus-/vapautuspainiketta laitteen ollessa käynnissä.

## Etulampun syyttäminen

**⚠HUOMIO:** Älä katso suoraan lampuun tai valonlähteeseen.

Voit syyttää lampun painamalla lukitus-/vapautuspainiketta. Voit sammuttaa lampun painamalla uudelleen lukitus-/vapautuspainiketta.

**HUOMAUTUS:** Jos laite on ylikuumentunut, lamppu alkaa vilkkua. Anna laitteen jäähtyä ennen sen käyttämistä uudelleen.

**HUOMAA:** Pyyhi lika pois linsistä kuivalla liinalla. Varo naarmuttamasta linssiä, ettei valoteho laske.

## Nopeudensäätöpyörä

Laitteen pyörimisnopeutta voidaan muuttaa kiertämällä nopeudensäätöpyörää. Alapuolella olevassa taulukossa kuvataan säätöpyörän numerot ja vastaavat pyörimisnopeudet.

► **Kuva4:** 1. Nopeudensäätöpyörä

Número	Nopeus
1	10 000 min <sup>-1</sup>
2	15 000 min <sup>-1</sup>
3	20 000 min <sup>-1</sup>
4	25 000 min <sup>-1</sup>
5	30 000 min <sup>-1</sup>

**HUOMAUTUS:** Jos laitetta käytetään jatkuvasti pitkään alhaisella nopeudella, moottori voi ylikuormittua ja aiheuttaa laitteen toimintahäiriön.

**HUOMAUTUS:** Jos nopeudensäätöpyörää on muutettava lukemasta "5" lukemaan "1", kierrä nopeudensäätöpyörää vastapäivään. Älä kierrä nopeudensäätöpyörää väkisin.

## Sähköinen toiminta

Laitte on varustettu sähköisillä toiminnoilla helppokäyttöisyyttä ajatellen.

- Vakionopeuden säätö  
Vakionopeuden säätö mahdollistaa vakiopyörimisnopeuden kuormitusolosuhteista riippumatta.
- Pehmeä käynnistys  
Pehmeä käynnistys -toiminto minimoi käynnistysiskun ja näin laite käynnistyy tasaisesti.

## Lastuamissyvyyden säätö

Säädä lastuamissyvyyttä avaamalla lukitusvipua ja siirtämällä tämän jälkeen laitteen pohjalevyä ylös tai alas säätöruuvia kiertämällä. Kiristä lukitusvipu luotettavasti säädön jälkeen.

► **Kuva5:** 1. Lukitusvipu 2. Säätöruuvi

**HUOMAUTUS:** Jos laite ei lukitu paikalleen lukitusvivun kiristämisen jälkeen, kiristä ensin kuusiomutteri ja kiristä tämän jälkeen lukitusvipu uudelleen.

► **Kuva6:** 1. Kuusiomutteri

## Lastuamissyvyyden säätö yläjyrsinjalustan kanssa

### Lisävaruste

1. Aseta laite tasaisen pinnan päälle.
2. Valitse rajoitinruuvi kiertämällä rajoitinjalustaa.  
► **Kuva7:** 1. Rajoitinruuvi 2. Rajoitinjalusta
3. Löysää rajoitintapin kiinnitysmutteria ja vedä tämän jälkeen rajoitintappia ylöspäin painamalla samanaikaisesti syöttöpainiketta.  
► **Kuva8:** 1. Rajoitintappi 2. Kiinnitysmutteri 3. Syöttöpainike

4. Paina laitetta alas, kunnes jyrsterän kärki koskettaa tasaista pintaa. Tämän jälkeen kierrä kiinnitysvipua laitteen lukitsemiseksi.

► **Kuva9:** 1. Kiinnitysvipu 2. Jyrsterä

5. Paina rajoitintappia alas painamalla samanaikaisesti syöttöpainiketta niin kauan, kunnes se koskettaa rajoitinruuvia.

► **Kuva10:** 1. Rajoitintappi 2. Rajoitinruuvi 3. Syöttöpainike

6. Siirrä syvyydenosoitinta niin, että osoitin osoittaa säätöpyörän asteikon lukemaa "0".

► **Kuva11:** 1. Syvyydenosoitin

7. Säädä lastuamissyvyyttä vetämällä rajoitintappia ylös ja painamalla samanaikaisesti syöttöpainiketta.

► **Kuva12:** 1. Rajoitintappi 2. Syöttöpainike

8. Suorita lastuamissyvyyden hienosäätö kiertämällä rajoitintapin säätöpyörän asteikkoa niin, että lukema on "0".

► **Kuva13:** 1. Asteikko

9. Kierrä rajoitintapin päätä halutun syvyyden saavuttamiseksi. Suurena syvyyttä kiertämällä päätä vastapäivään. Pienennä syvyyttä kiertämällä päätä myötäpäivään.

► **Kuva14:** 1. Rajoitintapin pää

10. Kiristä rajoitintapin kiinnitysmutteria.

► **Kuva15:** 1. Kiinnitysmutteri

11. Vapauta kiinnitysvipu.

► **Kuva16:** 1. Kiinnitysvipu

## KOKOONPANO

**HUOMIO:** Varmista aina ennen mitään työkälyä tehtäviä toimenpiteitä, että se on sammutettu ja akku irrotettu.

## Jyrsterän kiinnitys ja irrotus

**HUOMAUTUS:** Älä kiristä kiristysholkin mutteria ilman kärkeä. Kiristysholkki voi rikkoutua.

Kiinnitä jyrsterä täysin kiristysholkin loppuun asti. Paina karalukkoa ja kiristä kiristysholkin mutteri kiintoavaimella tai kiristä kiristysholkin mutteri luotettavasti paikalleen kahta kiintoavainta käyttämällä. Irrota terä päivävastaisessa järjestyksessä.

► **Kuva17:** 1. Karalukko 2. Löysää 3. Kiristä 4. Kiintoavain 5. Kiristysholkin mutteri

► **Kuva18:** 1. Kiintoavain 2. Löysää 3. Kiristä 4. Kiristysholkin mutteri

**HUOMAA:** Karalukko ei ehkä palaudu alkuperäiseen asentoonsa kiristäessäsi kiristysholkin mutteria jyrsterän kiinnityksen aikana. Karalukko palautuu alkupe-  
räiseen asentoonsa kun laite käynnistetään.

► **Kuva19:** 1. Karalukko

## Jyrsinjalustan asentaminen ja irrottaminen

1. Avaa jyrsinjalustan lukitusvipu. Tämän jälkeen kiinnitä laite jyrsinjalustaan kohdistamalla laitteen ura jyrsinjalustan ulkonemaan.  
► **Kuva20:** 1. Lukitusvipu

**HUOMAA:** Voit käyttää (hartsista) jyrsinjalustaa valinnaisena lisävarusteena kuvan mukaisesti. Kun käytät (hartsista) jyrsinjalustaa, löysää tai kiristä siipimutteriä lukkovivun sijasta.

- **Kuva21:** 1. Siipimutteri

2. Lukitse lukitusvipu.
3. Kiinnitä pölysuutin jyrsinjalustaan ja tämän jälkeen kiristä siipiruuvi.  
► **Kuva22:** 1. Pölysuutin 2. Siipiruuvi  
► **Kuva23**

Irrota jalusta päinvastaisessa järjestyksessä.

**⚠HUOMIO:** Ennen kuin käytät laitetta jyrsinjalustan kanssa, varmista, että kiinnität pölysuuttimen jyrsinjalustaan.

## Kallistusjalustan asentaminen ja irrottaminen

### Lisävaruste

1. Avaa kallistusjalustan lukitusvipu. Tämän jälkeen kiinnitä laite kallistusjalustaan kohdistamalla laitteen ura kallistusjalustan ulkonemaan.  
► **Kuva24:** 1. Lukitusvipu

2. Lukitse lukitusvipu.

Irrota jalusta päinvastaisessa järjestyksessä.

## Kulmajalustan asentaminen ja irrottaminen

### Lisävaruste

1. Paina karalukkoa ja tämän jälkeen löysää kiristysholkki.  
► **Kuva25:** 1. Kiristysholkin mutteri 2. Karalukko 3. Kiintoavain
2. Irrota kiristysholkin mutteri ja kiristysholkki.  
► **Kuva26:** 1. Kiristysholkin mutteri 2. Kiristysholkki
3. Asenna hihnapyörä laitteeseen painamalla karalukkoa ja kiristämällä hihnapyörä paikalleen kiintoavaimella.  
► **Kuva27:** 1. Kiintoavain 2. Hihnapyörä 3. Karalukko
4. Löysää pohjalevyn ruuveja ja irrota tämän jälkeen pohjalevy.  
► **Kuva28:** 1. Pohjalevy
5. Avaa kulmajalustan lukitusvipu ja tämän jälkeen kiinnitä laite kulmajalustaan.  
► **Kuva29:** 1. Lukitusvipu
6. Asenna hihna pyörälle kiertämällä hihnaa käsin.  
► **Kuva30:** 1. Hihnapyörä 2. Hihna
7. Lukitse lukitusvipu.  
► **Kuva31:** 1. Lukitusvipu

8. Kiinnitä pohjalevy paikalleen kiristämällä ruuvit.  
► **Kuva32:** 1. Pohjalevy
9. Kiinnitä kiristysholkki ja jyrsinterä kulmajalustaan ja tämän jälkeen kiristä kiristysholkki.  
► **Kuva33:** 1. Jyrsinterä 2. Kiristysholkin mutteri 3. Kiristysholkki
10. Kiinnitä kuusioavain kulmajalustan reikään ja kiristä kiristysholkin mutteri kiintoavaimella.  
► **Kuva34:** 1. Kiristysholkin mutteri 2. Kiintoavain 3. Kuusioavain

Irrota jalusta päinvastaisessa järjestyksessä.

**HUOMAA:** Voit myös asentaa hihnan pyörälle ilman pohjalevyn irrottamista kuvan osoittamalla tavalla.

- **Kuva35:** 1. Hihnapyörä 2. Hihna

## Yläjyrsinjalustan asentaminen ja irrottaminen

### Lisävaruste

1. Avaa yläjyrsinjalustan lukitusvipu. Tämän jälkeen kiinnitä laite yläjyrsinjalustaan kohdistamalla laitteen ura yläjyrsinjalustan ulkonemaan.  
► **Kuva36:** 1. Lukitusvipu
2. Lukitse lukitusvipu.

Irrota jalusta päinvastaisessa järjestyksessä.

## Yläjyrsinjalustan rinnakkaisohjaimen asentaminen ja irrottaminen

### Lisävaruste

Kiinnitä ohjauskiskot yläjyrsinjalustassa oleviin aukkoihin ja tämän jälkeen kiristä siipipultit. Irrota rinnakkaisohjain päinvastaisessa järjestyksessä.

- **Kuva37:** 1. Siipipultti 2. Ohjauskisko

## Yläjyrsinjalustan pölysuuttimen asentaminen ja irrottaminen

Kiinnitä pölysuutin yläjyrsinjalustaan niin, että pölysuuttimen ulkonema vastaa yläjyrsinjalustan uraa. Tämän jälkeen kiristä pölysuuttimen siipiruuvi. Irrota suutin päinvastaisessa järjestyksessä.

- **Kuva38:** 1. Ulkonema 2. Pölysuutin 3. Siipiruuvi  
► **Kuva39**

## TYÖSKENTELY

### Laitteen käyttö jyrsinjalustalla

Aseta laitteen pohja työkappaleen päälle niin, ettei jyrsinterä kosketa työkappaletta. Käynnistä laite ja odota, kunnes jyrsinterä saavuttaa täyden pyörimisnopeutensa. Liikuta laitetta eteenpäin työkappaleen päällä. Pidä laitteen pohja tasaisena laitteen liikuttamisen aikana. Kun jyrsit reunoja, varmista, että työkappaleen pinta on jyrsinterän syöttösuuntaan nähden vasemmalla puolella.

- **Kuva40**

**HUOMAA:** Suosittelemme suorittamaan koejyrnsinnän ennen todellisen työkappaleen jyrnsimistä. Oikea syötönopeus riippuu jyrnsinterän koosta, työkappaleen tyypistä ja lastuamissyvyydestä. Laitteen liian nopea liikuttaminen eteenpäin voi aiheuttaa huonolaatuisen jyrnsintätuloksen tai terä- tai moottorivaurion. Laitteen liian hidas liikuttaminen eteenpäin voi polttaa ja pilata jyrnsittävän pinnan.

Käytettäessä jyrnsinkenkää, suoraa ohjainta tai jyrnsinohjainta, varmista, että pidät sitä syöttösuunnan oikealla puolella. Tämä auttaa pitämään sitä samassa tasossa työkappaleen sivun kanssa.

► **Kuva41:** 1. Jyrnsinterä 2. Työkappale 3. Suora ohjain

**HUOMAUTUS:** Koska liiallinen jyrnsintä voi ylikuormittaa moottoria tai vaikeuttaa työkalun hallintaa, lastuamissyvyys ei saa olla yli 3 mm uria jyrnsittäessä. Kun haluat jyrnsiä yli 3 mm uria, tee monta läpäisyä jyrnsinterän asteittain syvemmällä asetuksilla.

## Suoran ohjaimen käyttö

### Lisävaruste

- Kiinnitä suora ohjain pultilla ja siipimutterilla.  
► **Kuva42:** 1. Pultti 2. Siipimutteri
- Kiinnitä suora ohjain jyrnsinjalustaan kiristysruuvilla.  
► **Kuva43:** 1. Kiristysruuvi
- Löysää suorassa ohjaimessa oleva siipimutteri ja säädä jyrnsinterän ja suoraohjaimen välistä etäisyyttä. Kun haluttu etäisyys on saavutettu, kiristä siipimutteri.  
► **Kuva44:** 1. Siipimutteri
- Liikuta työkalua niin, että suora ohjain on samassa tasossa laitteen sivun kanssa.  
► **Kuva45**

Jos laitteen sivun ja jyrnsintäasennon välillä oleva etäisyys (A) on suoralle ohjaimelle liian leveä, tai jos työkappaleen sivu ei ole suora, suoraa ohjainta ei voi käyttää.

Kiristä tässä tapauksessa suora lauta tiukasti kiinni työkappaleeseen ja käytä sitä ohjaimena jyrnsinjalustaa vasten. Siirrä laitetta nuolen osoittamaan suuntaan.

► **Kuva46**

## Suoran ohjaimen käyttö pyöreille kuviolle

Kiinnitä suora ohjain kuvien osoittamalla tavalla pyöreitä kuvioita varten. Jyrnsittävien ympyröiden pienin ja suurin säde (etäisyys ympyrän keskion ja jyrnsinterän keskion välissä) on seuraava:

- Pienin: 70 mm
- Suurin: 221 mm

**Säteeltään 70 mm ja 121 mm välisten ympyröiden jyrnsimiseksi.**

► **Kuva47:** 1. Keskireikä

**Säteeltään 121 mm ja 221 mm välisten ympyröiden jyrnsimiseksi.**

► **Kuva48:** 1. Keskireikä

**HUOMAA:** Säteeltään 172 mm ja 186 mm välisiä ympyröitä ei voida jyrnsiä tätä ohjainta käyttämällä.

Kohdistista suoran ohjaimen keskireikä jyrnsittävän ympyrän keskiosan kanssa. Naulaa halkaisijaltaan alle 6 mm naula keskireikään suoran ohjaimen lukitsemiseksi. Käännä laitetta naulan ympäri myötäpäivään.

► **Kuva49:** 1. Naula 2. Keskireikä

## Malliohjaimen käyttö

### Lisävaruste

Malliohjain mahdollistaa mallikuvioiden toistuvat jyrnsinnät mallia käyttämällä.

- Löysää pohjalevyn ruuvit ja irrota tämän jälkeen pohjalevy jyrnsinjalustasta.
- Aseta malliohjain pohjaan ja tämän jälkeen kiinnitä pohjalevy kiristämällä ruuvit.  
► **Kuva50:** 1. Pohjalevy 2. Malliohjain
- Aseta laite mallin päälle ja liikuta laitetta niin, että malliohjain liukuu mallin sivua pitkin.  
► **Kuva51**

**HUOMAA:** Todellinen työkappaleen jyrnsintäkoko voi hieman erota mallista. Eroavaisuus on etäisyys (X) jyrnsinterän ja malliohjaimen ulkosivun välillä. Etäisyys (X) voidaan laskea seuraavaa yhtälöä käyttämällä:

Etäisyys (X) = (malliohjaimen ulkohalkaisija - jyrnsinterän halkaisija) / 2

► **Kuva52:** 1. Jyrnsinterä 2. Malliohjain 3. Etäisyys (X)  
4. Malliohjaimen ulkohalkaisija

## Jyrnsinohjaimen käyttö

### Lisävaruste

Jyrnsinohjain mahdollistaa kaarevien reunojen, kuten huonekaluvanereiden muotoilemisen liikuttamalla ohjainrullaa työkappaleen sivua pitkin.

► **Kuva53**

- Löysää kiristysruuvia ja kiinnitä tämän jälkeen jyrnsinohjain jyrnsinjalustaan ja kiristä kiristysruuvi.  
► **Kuva54:** 1. Kiristysruuvi
- Löysää kiristysruuvia ja säädä jyrnsinterän ja jyrnsinohjaimen välistä etäisyyttä säätöruuvia kiertämällä (1 mm per kierros). Kun haluttu etäisyys on saavutettu, lukitse jyrnsinohjain paikalleen kiristämällä kiristysruuvia.  
► **Kuva55:** 1. Säätöruuvi 2. Kiristysruuvi
- Liikuta laitetta niin, että ohjainrulla etenee työkalun sivulla.  
► **Kuva56:** 1. Työkappale 2. Terä 3. Ohjainrulla

## Laitteen käyttö kallistusjalustalla

Kallistusjalusta on kätevä viisteityksessä. Löysää siipiruuvit, kallista laitetta haluttuun kulmaan ja tämän jälkeen kiristä siipiruuvit.

Kiinnitä suora lauta luotettavasti työkappaleeseen ja käytä sitä ohjaimena kallistusjalustaa vasten. Siirrä laitetta nuolen osoittamaan suuntaan.

► **Kuva57:** 1. Siipiruuvi

## Kallistusjalustan käyttö jyrnsinjalustalla

Jyrnsinjalustan käyttämiseksi nelionmuotoisella pohjalevyllä, irrota pohjalevy kallistusjalustasta ja tämän jälkeen kiinnitä se jyrnsinjalustaan.

► **Kuva58:** 1. Kallistusjalustan pohjalevy  
2. Jyrnsinjalustan pohjalevy

## Laitteen käyttö kulmajalustalla

Kulmajalusta on kätevä ahtaisiin paikkoihin, kuten esim. kulmiin.

► **Kuva59**

## Jyrnsinjalustan käyttö kulmajalustan levyllä ja kahvalla

Kulmajalustaa voidaan käyttää myös jyrnsinjalustan ja kahvaruusteen (lisävaruste) kanssa lisävakauden saavuttamiseksi.

1. Löysää pohjalevyn ruuvit ja irrota tämän jälkeen pohjalevy kulmajalustasta.

► **Kuva60:** 1. Kulmajalustan pohjalevy  
2. Jyrnsinjalustan pohjalevy

2. Kiinnitä kulmajalusta jyrnsinjalustaan kiristämällä ruuvit.

3. Kiinnitä kahvaruuste ja kahvatanko kulmajalustaan kiristämällä ruuvit.

► **Kuva61:** 1. Kahvatanko 2. Kahvaruuste

Yläjyrnsinjalustasta irrotettu nuppikahva voidaan asentaa kulmajalustaan tankokahvan sijasta.

► **Kuva62:** 1. Ruuvi 2. Nuppikahva

## Laitteen käyttö yläjyrnsinjalustalla

Pidä laitteesta kiinni tukevasti molemmilla käsillä käytön aikana. Käytä laitetta samalla tavalla kuin jyrnsinjalustan kanssa.

## Suoran ohjaimen käyttö

### Lisävaruste

1. Kiinnitä suora ohjain ohjainpidikkeeseen siipimutterilla. Kiinnitä ohjainpidike yläjyrnsinjalustassa oleviin reikiin ja tämän jälkeen kiristä siipipultit.

► **Kuva63:** 1. Siipipultti 2. Ohjainpidike 3. Siipimutteri  
4. Suora ohjain

2. Löysää suorassa ohjaimessa oleva siipimutteri ja säädä jyrnsinterän ja suoraohjaimen välistä etäisyyttä. Kun haluttu etäisyys on saavutettu, kiristä siipimutteri.

► **Kuva64:** 1. Siipimutteri

3. Käytä laitetta samalla tavalla kuin suoraa ohjainta jyrnsinjalustaan.

► **Kuva65**

## Malliohjaimen käyttö

### Lisävaruste

1. Löysää pohjan ruuvit ja irrota ne. Aseta malliohjain pohjaan ja tämän jälkeen kiristä ruuvit.

► **Kuva66:** 1. Ruuvi 2. Malliohjain

2. Käytä laitetta samalla tavalla kuin malliohjainta jyrnsinjalustaan.

► **Kuva67**

## Rinnakkaisohjaimen käyttö

Rinnakkaisohjainta käytetään tehokkaasti suoraan jyrnsintään viisteityksen tai urittamisen aikana. Säädä terän ja rinnakkaisohjaimen välinen etäisyys. Kun haluttu etäisyys on saavutettu, lukitse rinnakkaisohjain paikalleen kiristämällä siipipultit. Jyrnsinnan aikana liikuta laitetta niin, että rinnakkaisohjain on samassa tasossa työkappaleen sivun kanssa.

► **Kuva68**

Jos työkappaleen sivun ja jyrnsintäasennon välillä oleva etäisyys (A) on rinnakkaisohjaimelle liian leveä, tai jos työkappaleen sivu ei ole suora, rinnakkaisohjainta ei voi käyttää.

Kiristä tässä tapauksessa suora lauta tiukasti kiinni työkappaleeseen ja käytä sitä ohjaimena yläjyrnsinjalustaa vasten. Siirrä laitetta nuolen osoittamaan suuntaan.

► **Kuva69**

## Nuppikahvan vaihtaminen kahvatangoksi

Kiinnitä kahvatanko pistolalustaan löysäämällä nuppikahvan ruuvia ja irrota nuppikahva. Tämän jälkeen kiinnitä kahvatanko paikalleen kiristämällä sitä.

► **Kuva70:** 1. Nuppikahva 2. Ruuvi 3. Kahvatanko

## KUNNOSSAPITO

**!HUOMIO:** Varmista aina ennen tarkastusta tai huoltoa, että työkalu on sammutettu ja akku irrotettu.

**HUOMAUTUS:** Älä koskaan käytä bensiiniä, ohenteita, alkoholia tai tms. aineita. Muutoin pinta voi halkeilla tai sen värit ja muoto voivat muuttua. Muutoin laitteeseen voi tulla värjäytyymiä, muodon vääristymiä tai halkeamia.

Tuotteen TURVALLISUUDEN ja LUOTETTAVUUDEN takaamiseksi korjaukset, muut huoltotyöt ja säädöt on teetettävä Makitan valtuutetussa huoltopisteessä Makitan varaosia käyttäen.

# LISÄVARUSTEET

**⚠️HUOMIO:** Seuraavia lisävarusteita tai laitteita suositellaan käytettäväksi tässä ohjeessa kuvatun Makita-työkalan kanssa. Muiden lisävarusteiden tai laitteiden käyttö voi aiheuttaa henkilövahinkoja. Käytä lisävarusteita ja -laitteita vain niiden käyttötarkoituksen mukaisesti.

Jos tarvitset apua tai yksityiskohtaisempia tietoja seuraavista lisävarusteista, ota yhteys paikalliseen Makitan huoltoon.

- Suorat ja uritusterät
- Reunanmuotoluterät
- Viilujärsinterät
- Suora ohjain
- Jyrsinohjain
- Jyrsinjalusta
- Jyrsinjalusta (hartsinen)
- Kallistusjalusta
- Yläjärsinjalusta
- Kulmajalusta
- Kahvaruste
- Malliohjain
- Kiristysholkki 6 mm
- Kiristysholkki 6,35 mm (1/4")
- Kiristysholkki 8 mm
- Kiristysholkki 9,53 mm (3/8")
- Kiintoavain 13
- Kiintoavain 22
- Aito Makitan akku ja laturi

**HUOMAA:** Jotkin luettelossa mainitut varusteet voivat sisältyä työkalun toimitukseen vakiovarusteina. Ne voivat vaihdella maittain.

## Järsinterät

Suora kärki

► Kuva71

	D	A	L1	L2
20	6	20	50	15
20E	1/4"			
8	8	8	60	25
8	6			
8E	1/4"			
6	6	6	50	18
6E	1/4"			

Yksikkö: mm

”U” -uritusterä

► Kuva72

	D	A	L1	L2	R
6	6	6	50	18	3
6E	1/4"				

Yksikkö: mm

”V”-uritusterä

► Kuva73

D	A	L1	L2	θ
1/4"	20	50	15	90°

Yksikkö: mm

Poranterämallinen yläjärsinterä

► Kuva74

	D	A	L1	L2	L3
8	8	8	60	20	35
6	6			18	28
6E	1/4"				

Yksikkö: mm

Poranterämallinen kaksoisyläjärsinterä

► Kuva75

	D	A	L1	L2	L3	L4
8	8	8	80	95	20	25
6	6		70	40	12	14
6E	1/4"					

Yksikkö: mm

Kulmanpyörästysterä

► Kuva76

	D	A1	A2	L1	L2	L3	R
8R	6	25	9	48	13	5	8
8RE	1/4"						
4R	6	20	8	45	10	4	4
4RE	1/4"						

Yksikkö: mm

Viisteitysterä

► Kuva77

D	A	L1	L2	L3	θ
6	23	46	11	6	30°
6	20	50	13	5	45°
6	20	49	14	2	60°

Yksikkö: mm

Reunalistäterä

► Kuva78

D	A	L1	L2	R
6	20	43	8	4
6	25	48	13	8

Yksikkö: mm

Kuulalaakeroito yläjärsinterä

► Kuva79

D	A	L1	L2
6	10	50	20
1/4"			

Yksikkö: mm

**Kuulalaakeroitu kulmanpyöristysterä****► Kuva80**

D	A1	A2	L1	L2	L3	R
6	15	8	37	7	3,5	3
6	21		40	10		6
1/4"						

Yksikkö: mm

**Kuulalaakeroitu viisteitysterä****► Kuva81**

D	A1	A2	L1	L2	θ
6	26	8	42	12	45°
1/4"					
6	20		41	11	60°

Yksikkö: mm

**Kuulalaakeroitu listaterä****► Kuva82**

D	A1	A2	A3	L1	L2	L3	R
6	20	12	8	40	10	5,5	4
6	26			42	12	4,5	7

Yksikkö: mm

**Kuulalaakeroitu reunalistaterä****► Kuva83**

D	A1	A2	A3	A4	L1	L2	L3	R
6	20	18	12	8	40	10	5,5	3
6	26	22			42	12	5	5

Yksikkö: mm

**Kuulalaakeroitu suippokaariterä****► Kuva84**

D	A1	A2	L1	L2	L3	R1	R2
6	20	8	40	10	4,5	2,5	4,5
6	26		42	12		3	6

Yksikkö: mm



## SPECIFIKĀCIJAS

Modelis:	DRT50
Ietvara spīļpatronas iekšējais diametrs	6 mm, 8 mm, 1/4", 3/8"
Ātrums bez slodzes	10 000–30 000 min <sup>-1</sup>
Kopējais garums	226 mm
Nominālais spriegums	18 V līdzstrāva
Standarta akumulatora kasetne	BL1815N / BL1820 / BL1820B / BL1830 / BL1830B / BL1840 / BL1840B / BL1850 / BL1850B / BL1860B
Tīrsvars	1,8–2,1 kg

- Nepārtrauktās izpētes un izstrādes programmas dēļ šeit uzrādītās specifikācijas var tikt mainītas bez brīdinājuma.
- Specifikācijas un akumulatora kasetne var atšķirties dažādās valstīs.
- Svārs var būt atšķirīgs atkarībā no papildierīces(-ēm), tostarp akumulatora kasetnes. Tabulā ir attēlota vieglākā un smagākā kombinācija atbilstoši EPTA procedūrai 01/2014.

### Paredzētā lietošana

Šis darbarīks paredzēts koka, plastmasas un tamlīdzīgu materiālu līdzenai apzāģēšanai un profilēšanai.

### Trokšņa līmenis

Tipiskais A svērtais trokšņa līmenis noteikts saskaņā ar EN60745:

Skaņas spiediena līmeni ( $L_{pA}$ ): 78 dB (A)

Mainīgums (K): 3 dB (A)

**▲BRĪDINĀJUMS:** Lietojiet ausu aizsargus.

### Vibrācija

Vibrācijas kopējā vērtība (trīsasu vektora summa) noteikta atbilstoši EN60745:

Darba režīms: rotācija bez slodzes

Vibrācijas izmete ( $a_{h1}$ ): 2,5 m/s<sup>2</sup> vai mazāk

Mainīgums (K): 1,5 m/s<sup>2</sup>

Darba režīms: rienu iegriešana vidēja blīvuma kokšķiedru plātnē (MDF)

Vibrācijas izmete ( $a_{h2}$ ): 4,5 m/s<sup>2</sup>

Mainīgums (K): 1,5 m/s<sup>2</sup>

**PIEZĪME:** Paziņotā vibrācijas emisijas vērtība noteikta atbilstoši standarta pārbaudes metodei un to var izmantot, lai salīdzinātu vienu darbarīku ar citu.

**PIEZĪME:** Paziņoto vibrācijas emisijas vērtību arī var izmantot iedarbības sākotnējā novērtējumā.

**▲BRĪDINĀJUMS:** Reāli lietojot elektrisko darbarīku, vibrācijas emisija var atšķirties no paziņotās emisijas vērtības atkarībā no darbarīka izmantošanas veida.

**▲BRĪDINĀJUMS:** Lai aizsargātu lietotāju, nosakiet drošības pasākumus, kas pamatoti ar iedarbību reālos darba apstākļos (ņemot vērā visus ekspluatācijas cikla posmus, piemēram, laiku, kamēr darbarīks ir izslēgts un kad darbojas tukšgaitā, kā arī palaides laiku).

### EK atbilstības deklarācija

*Tikai Eiropas valstīm*

EK atbilstības deklarācija šajā lietošanas rokasgrāmatā ir iekļauta kā A pielikums.

## DROŠĪBAS BRĪDINĀJUMI

### Vispārīgi elektrisko darbarīku drošības brīdinājumi

**▲BRĪDINĀJUMS:** Izlasiet visus drošības brīdinājumus, instrukcijas, apskatiet ilustrācijas un tehniskos datus, kas iekļauti mehānizētā darbarīka komplektācijā. Ja netiek ievēroti visi tālāk minētie noteikumi, var tikt izraisīta elektrotrauma, notikt aizdegšanās un/vai rasties smagas traumas.

### Glabājiet visus brīdinājumus un norādījumus, lai varētu tajos ieskatīties turpmāk.

Termins „elektrisks darbarīks” brīdinājumos attiecas uz tādu elektrisko darbarīku, ko darbina ar elektrību (ar vadu), vai tādu, ko darbina ar akumulatoru (bez vada).

### Bezvadu apgriežjēmašinas drošības brīdinājumi

1. Darba laikā turiet mehānizēto darbarīku tikai pie izolētajām satveršanas virsmām, jo griezējs var saskarties ar apslēptu elektroinstalāciju. Sagriežot vadu, kurā ir spriegums, mehānizētā darbarīka metāla virsmas var vadīt spriegumu, un operators saņems strāvas triecienu.
2. Izmantojiet skavas vai citu praktiski piemērojamu paņēmieni, lai apstrādājamo materiālu nostiprinātu un atbalstītu uz stabilas pamatnes. Turot materiālu ar roku vai pie ķermeņa, tas ir nestabilā stāvoklī, un jūs varat zaudēt kontroli pār to.

3. Ilgstoša darba laikā lietojiet ausu aizsargus.
4. Ar apgriezējmašīnas uzgaļiem rīkojieties ļoti uzmanīgi.
5. Pirms sākat darbu, uzmanīgi pārbaudiet, vai apgriezējmašīnas uzgalim nav plaisu vai bojājumu. Ieplaisājūšu vai bojātu uzgali nekavējoties nomainiet.
6. Negrieziet naglas. Pirms sākt darbu pārbaudiet, vai apstrādājamā materiāla nav naglas, un tās izņemiet.
7. Darbarīku turiet cieši.
8. Rokas netuviniet rotējošām daļām.
9. Pirms slēdža pārslēgšanas ieslēgtā stāvoklī pārliecinieties, ka apgriezējmašīnas uzgalis nepieskaras apstrādājamajam materiālam.
10. Pirms darbarīku lietojāt materiāla apstrādei, īslaicīgi darbiniet to bez slodzes. Pievērsiet uzmanību vibrācijai vai svārstībām, jo tas var liecināt par nepareizi uzstādītu uzgali.
11. Pievērsiet uzmanību apgriezējmašīnas uzgala griešanās virzienam un padeves virzienam.
12. Neatstājiet darbarīku ieslēgtu. Darbiniet darbarīku vienīgi tad, ja turat to rokās.
13. Pirms apgriezējmašīnas izņemšanas no apstrādājamā materiāla vienmēr izslēdziet darbarīku un nogaidiet, līdz apgriezējmašīnas uzgalis pavisam apstājas.
14. Apgriezējmašīnas uzgalim nepieskaroties tūlīt pēc darba izpildes; tas var būt ļoti karsts un apdedzināt ādu.
15. Sargieties nosmērēt darbarīka pamatni ar šķīdinātāju, benzīnu, eļļu vai tamlīdzīgām vielām. Tas var radīt plaisas darbarīka pamatnē.
16. Izmantojiet apgriezējmašīnas uzgaļus ar pareizu kāta diametru, kas piemērots darbarīka griešanās ātrumam.
17. Daži materiāli satur ķīmiskas vielas, kas var būt toksiskas. Izvairieties no putekļu ieelpošanas un to nokļūšanas uz ādas. Ievērojiet materiāla piegādātāja drošības datus.
18. Vienmēr izmantojiet materiālam un konkrētam gadījumam piemērotu putekļu masku/respiratoru.

## SAGLABĀJIET ŠOS NORĀDĪJUMUS.

**⚠ BRĪDINĀJUMS:** NEPIELĀUJIET to, ka labu iemaņu vai izstrādājuma labas pārzināšanas (darbarīku atkārtoti ekspluatējot) rezultātā vairs stingri neievērojat šī izstrādājuma drošības noteikumus. NEPAREIZI LIETOJOT darbarīku vai neievērojot šajā instrukciju rokasgrāmatā minētos drošības noteikumus, var tikt gūtas smagas traumas.

## Svarīgi drošības norādījumi par akumulatora kasetni

1. Pirms akumulatora lietošanas izlasiet visus norādījumus un brīdinājumus, kuri attiecas uz (1) akumulatora lādētāju, (2) akumulatoru un (3) ierīci, kurā tiek izmantots akumulators.
2. Neizjauciet akumulatoru.
3. Ja akumulatora darbības laiks kļūva ievērojami īsāks, nekavējoties pārtrauciet to izmantot. Citādi, tas var izraisīt pārkarsējumu, uzliesmojumu vai pat sprādzienu.
4. Ja elektrolīts nonāk acīs, izskalojiet tās ar tīru ūdeni un nekavējoties griezieties pie ārsta. Tas var izraisīt redzes zaudēšanu.

5. Neradiet īssavienojumu akumulatora kasetnē:
    - (1) Nepieskarieties spaiļēm ar elektrību vadošiem materiāliem.
    - (2) Neuzglabājiet akumulatoru kasetni kopā ar citiem metāla priekšmetiem, tādiem kā naglas, monētas u. c.
    - (3) Nepakļaujiet akumulatora kasetni ūdens vai lietus iedarbībai.
- Akumulatora īssavienojums var radīt spēcīgu strāvas plūsmu, pārkaršanu, uzliesmojumu un pat sabojāt akumulatoru.
6. Neglabājiet darbarīku un akumulatora kasetni vietās, kur temperatūra var sasniegt vai pārsniegt 50 °C (122 °F).
  7. Nededziniet akumulatora kasetni, pat ja tā ir stipri bojāta vai pilnībā nolietota. Akumulatora kasetne uguni var eksplodēt.
  8. Uzmanieties, lai neļautu akumulatoram nokrist un nepakļautu to sītiemam.
  9. Neizmantojiet bojātu akumulatoru.
  10. Uz izmantotajiem litija jonu akumulatoriem attiecas likumdošanas prasības par bīstamiem izstrādājumiem.

Komerציālā transportēšanā, ko veic, piemēram, trešās puses, transporta uzņēmumi, jāievēro uz iesaiņojuma un marķējuma norādītās īpašās prasības. Lai izstrādājumu sagatavotu nosūtīšanai, jāsažinās ar bīstamo materiālu speciālistu. Ievērojiet arī citus attiecināmos valsts normatīvus. Vaļējus kontaktus nosedziet ar filmlenti vai citādi pārklājiet, bet akumulatoru iesaiņojiet tā, lai sainī tas nevarētu izkustēties.

11. Ievērojiet vietējos noteikumus par akumulatora likvidēšanu.
12. Izmantojiet šos akumulatorus tikai ar izstrādājumiem, kurus norādījis Makita. Ievietojot šos akumulatorus nesaderīgos izstrādājumos, var rasties ugunsgrēks, pārmērīgs karstums, tie var uzsprāgt vai no tiem var izteciēt elektrolīts.

## SAGLABĀJIET ŠOS NORĀDĪJUMUS.

**⚠ UZMANĪBU:** Lietojiet tikai oriģinālos Makita akumulatorus. Ja lietojat neoriģinālus Makita akumulatorus vai pārveidotus akumulatorus, tie var uzsprāgt un izraisīt aizdegšanos, traumas un materiālos zaudējumus. Tikas anulēta arī Makita darbarīka un lādētāja garantija.

## Ieteikumi akumulatora kalpošanas laika pagarināšanai

1. Uzlādējiet akumulatora kasetni, pirms tā ir pilnībā izlādējusies. Vienmēr, kad ievērojat, kad darbarīka darba jauda zudusi, apturiet darbarīku un uzlādējiet akumulatora kasetni.
2. Nekad neuzlādējiet pilnībā uzlādētu akumulatora kasetni. Pārmērīga uzlāde saīsina akumulatora kalpošanas laiku.
3. Uzlādējiet akumulatora kasetni istabas temperatūrā 10 °C - 40 °C. Karstai akumulatora kasetnei pirms uzlādes ļaujiet atdzist.
4. Uzlādējiet litija jonu akumulatora kasetni, ja to ilgstoši nelietosit (vairāk nekā sešus mēnešus).

# FUNKCIJU APRAKSTS

**⚠ UZMANĪBU:** Pirms darbarīka regulēšanas vai tā darbības pārbaudes vienmēr pārliecinieties, ka darbarīks ir izslēgts un akumulatora kasetne ir izņemta.

## Akumulatora kasetnes uzstādīšana un izņemšana

**⚠ UZMANĪBU:** Vienmēr pirms akumulatora kasetnes uzstādīšanas vai noņemšanas izslēdziet darbarīku.

**⚠ UZMANĪBU:** Uzstādot vai izņemot akumulatora kasetni, darbarīku un akumulatora kasetni turiet cieši. Ja darbarīku un akumulatora kasetni netur cieši, tie var izkrist no rokām un radīt bojājumus darbarīkam un akumulatora kasetnei, kā arī izraisīt ievainojumus.

- **Att. 1:** 1. Sarkanās krāsas indikators 2. Poga 3. Akumulatora kasetne

Lai izņemtu akumulatora kasetni, izvelciet to no darbarīka, pārbīdot kasetnes priekšpusē esošo pogu.

Lai uzstādītu akumulatora kasetni, salāgojiet mēlīti uz akumulatora kasetnes ar rievu ietvarā un iebīdīdīt vietā. Ievietojiet to līdz galam, līdz tā ar klikšķi nofiksējas. Ja pogas augšējā daļā redzams sarkanās krāsas indikators, tas nozīmē, ka tā nav pilnīgi fiksēta.

**⚠ UZMANĪBU:** Vienmēr ievietojiet akumulatora kasetni tā, lai sarkanais indikators nebūtu redzams. Pretējā gadījumā tā var nejauši izkrist no darbarīka un izraisīt jums vai apkārtējiem traumas.

















**⚠ UZMANĪBU:** Neievietojiet akumulatora kasetni ar spēku. Ja kasetne neslīd ietvarā viegli, tā nav pareizi ielikta.

## Atlikušās akumulatora jaudas indikators

*Tikai akumulatora kasetnēm ar indikatoru*

- **Att. 2:** 1. Indikatora lampas 2. Pārbaudes poga

Nospiediet akumulatora kasetnes pārbaudes pogu, lai pārbaudītu akumulatora atlikušo uzlādes līmeni. Indikatoru iedegsies uz dažām sekundēm.

Indikatora lampas			Atlikusī jauda
 Iedegdzies	 Izslēgts	 Mirgo	
			No 75% līdz 100%
			No 50% līdz 75%
			No 25% līdz 50%
			No 0% līdz 25%
			Uzlādējiet akumulatoru.
			Iespējama akumulatora kļūme.
		↑ ↓	

**PIEZĪME:** Reālā jauda var nedaudz atšķirties no norādītās atkarībā no lietošanas apstākļiem un apkārtējās temperatūras.

## Darbarīka/akumulatora aizsardzības sistēma

Darbarīkam ir darbarīka/akumulatora aizsardzības sistēma. Šī sistēma automātiski izslēdz strāvas padevi motoram, lai pagarinātu darbarīka un akumulatora darbību. Lietošanas laikā darbarīks automātiski pārstās darboties, ja darbarīku vai akumulatoru pakļaus kādam no šādiem apstākļiem.

### Aizsardzība pret pārslodzi

Ja akumulatoru lieto tā, ka tas patērē pārmērīgi lielu strāvas daudzumu, darbarīks automātiski pārstāj darboties bez jebkādas norādes. Šādā gadījumā izslēdziet darbarīku un pārtrauciet darbību, kas izraisīja darbarīka pārslodzi. Tad ieslēdziet darbarīku, lai atsāktu darbu.

### Aizsardzība pret pārkaršanu

Ja darbarīks vai akumulators ir pārkaršis, darbarīks automātiski izslēdzas un sāk mirgot lampa. Šādā gadījumā ļaujiet darbarīkam un akumulatoram atdzist un tikai tad atkal ieslēdziet darbarīku.

### Aizsardzība pret akumulatora pārmērīgu izlādi

Ja akumulatora jaudas līmenis ir zems, darbarīks automātiski pārstāj darboties. Šajā gadījumā akumulatoru izņemiet no darbarīka un uzlādējiet.

## Slēdža darbība

Lai ieslēgtu darbarīku, nospiediet atbloķēšanas/bloķēšanas pogu. Darbarīks pārslēdzas gaidstāves režīmā. Lai ieslēgtu darbarīku, gaidstāves režīmā nospiediet barošanas pogu. Lai izslēgtu darbarīku, vēlreiz nospiediet barošanas pogu. Darbarīks pārslēdzas gaidstāves režīmā. Lai izslēgtu darbarīku, gaidstāves režīmā nospiediet atbloķēšanas/bloķēšanas pogu.

- **Att. 3:** 1. Bloķēšanas/atbloķēšanas poga 2. Ieslēgšanas/izslēgšanas poga

**PIEZĪME:** Ja ar darbarīku gaidstāves režīmā 10 sekundes netiek veiktas nekādas darbības, tas automātiski izslēdzas un lampa izdziest.

**PIEZĪME:** Darbarīku var arī apturēt un izslēgt, darba laikā nospiežot bloķēšanas/atbloķēšanas pogu.

## Priekšējās lampas ieslēgšana

**⚠ UZMANĪBU:** Neskatieties gaismā, neļaujiet tās avotam iespīdēt acīs.

Lai ieslēgtu lampu, nospiediet atbloķēšanas/bloķēšanas pogu. Lai izslēgtu lampu, nospiediet atbloķēšanas/bloķēšanas pogu.

**IEVĒRĪBAI:** Ja darbarīks ir pārkaršis, lampa mirgo. Pirms atsākat darbu, pilnībā atdzesējiet darbarīku.

**PIEZĪME:** Ar sausu lupatīņu notīriet netīrumus no lampas lēcas. Izvairieties saskrāpēt lampas lēcu, jo tādējādi tiek samazināts apgaismojums.

## Ātruma regulēšanas gredzens

Darbarīka griešanās ātrumu var mainīt, griežot ātruma regulēšanas gredzenu. Tabulā tālāk norādīts katram gredzena ciparam atbilstošais griešanās ātrums.

► **Att.4:** 1. Ātruma regulēšanas gredzens

Cipars	Ātrums
1	10 000 min <sup>-1</sup>
2	15 000 min <sup>-1</sup>
3	20 000 min <sup>-1</sup>
4	25 000 min <sup>-1</sup>
5	30 000 min <sup>-1</sup>

**IEVĒRĪBAI:** Ja darbarīku ilgstoši darbināsīt ar mazu ātrumu, motors tiks pārslogots, tādējādi radot darbarīka darbības traucējumus.

**IEVĒRĪBAI:** Mainot ātrumu no 5 uz 1, griežiet gredzenu pretēji pulksteņrādītāju kustības virzienam. Negriežiet gredzenu pulksteņrādītāju kustības virzienā ar spēku.

## Elektronika

Lai atvieglotu lietošanu, darbarīks ir aprīkots ar elektro-niskām funkcijām.

- Nemainīga ātruma vadība  
Ātruma vadības funkcijas nodrošina nemainīgu griešanās ātrumu neatkarīgi no slodzes.
- Laidena ieslēgšana  
Laidena ieslēgšana mazina iedarbināšanas triecienu, un darbarīks uzsāk darbību vienmērīgi.

## Griešanas dziļuma regulēšana

Lai noregulētu griešanas dziļumu, atveriet fiksācijas sviru un tad virziet darbarīka pamatni augšup vai lejup, griežot regulēšanas skrūvi. Pēc noregulēšanas cieši aizveriet fiksācijas aizmura sviru.

► **Att.5:** 1. Bloķēšanas svira 2. Regulēšanas skrūve

**IEVĒRĪBAI:** Ja darbarīks nav nofiksēts, kad bloķēšanas svira ir aizvērts, pievelciet sešstūru uzgriezni un pēc tam aizveriet bloķēšanas sviru.

► **Att.6:** 1. Sešstūru uzgrieznis

## Griešanas dziļuma regulēšana, ja izmanto iegremdēšanas pamatni

### Papildpiederumi

1. Darbarīku novietojiet uz līdzenas virsmas.
2. Izvēlieties aizmura skrūvi, griežot aizmura pamatni.  
► **Att.7:** 1. Aizmura skrūve 2. Aizmura pamatne
3. Atbrīvojiet aizmura stieņa fiksācijas uzgriezni, tad velciet uz augšu aizmura stieni, vienlaikus turot nospiestu strāvas padeves pogu.

► **Att.8:** 1. Aizmura stienis 2. Fiksācijas uzgrieznis 3. Strāvas padeves poga

4. Spiediet darbarīku uz leju, līdz apgriezējmašīnas uzgalis pieskaras plakanajai virsmai, tad pagriežiet fiksācijas sviru, lai nostiprinātu darbarīku.

► **Att.9:** 1. Fiksācijas svira 2. Apgriezējmašīnas uzgalis

5. Spiediet aizmura stieni uz leju, līdz tas saskaras ar aizmura skrūvi, vienlaikus turot nospiestu strāvas padeves pogu.

► **Att.10:** 1. Aizmura stienis 2. Aizmura skrūve 3. Strāvas padeves poga

6. Bīdīd dzijuma rādītāju līdz vērtībai „0”.

► **Att.11:** 1. Dzijuma rādītājs

7. Lai regulētu griešanas dziļumu, velciet uz augšu aizmura stieni, vienlaikus turot nospiestu strāvas padeves pogu.

► **Att.12:** 1. Aizmura stienis 2. Strāvas padeves poga

8. Lai griešanas dziļumu noregulētu ļoti precīzi, pagriežiet aizmura stieņa gredzenu, lai tā indikators rādītu „0”.

► **Att.13:** 1. Gredzens

9. Lai noregulētu vajadzīgo dziļumu, griežiet aizmura stieņa augšdaļu. Lai palielinātu dziļumu, griežiet augšdaļu pretēji pulksteņrādītāju kustības virzienam. Lai mazinātu dziļumu, griežiet augšdaļu pulksteņrādītāju kustības virzienā.

► **Att.14:** 1. Aizmura stieņa augšdaļa

10. Pievelciet aizmura stieņa fiksācijas uzgriezni.

► **Att.15:** 1. Fiksācijas uzgrieznis

11. Atbrīvojiet fiksācijas sviru.

► **Att.16:** 1. Fiksācijas svira

## MONTĀŽA

**UZMANĪBU:** Pirms darbarīka regulēšanas vai apkopes vienmēr pārliecinieties, ka darbarīks ir izslēgts un akumulatora kasetne ir izņemta.

## Apgriezējmašīnas uzgaļa uzstādīšana vai noņemšana

**IEVĒRĪBAI:** Nepievelciet ietvara uzgriezni, ja nav ievietots uzgalis. Ietvara konuss var salūzt.

Ievietojiet apgriezējmašīnas uzgali līdz galam ietvara konusā. Piespiediet vārpstas bloķētāju un pievelciet ietvara uzgriezni ar vienu uzgriežņatslēgu vai pievelciet ietvara uzgriezni ar divām uzgriežņatslēgām. Lai noņemtu uzgali, iepriekš aprakstītās darbības izpildiet pretējā secībā.

► **Att.17:** 1. Vārpstas bloķētājs 2. Atskrūvēt 3. Pievilkt 4. Uzgriežņatslēga 5. Ietvara uzgrieznis

► **Att.18:** 1. Uzgriežņatslēga 2. Atskrūvēt 3. Pievilkt 4. Ietvara uzgrieznis

**PIEZĪME:** Vārpstas bloķētājs var neatgriezties sākotnējā pozīcijā, kad pievelkat ietvara uzgriezni apgriezējmašīnas uzgala uzstādīšanas laikā. Vārpstas bloķētājs atgriežas sākotnējā pozīcijā, kad iedarbināt darbarīku.

► **Att.19:** 1. Vārpstas bloķētājs

## Apgriezējmašīnas pamatnes uzstādīšana vai noņemšana

1. Atveriet apgriezējmašīnas pamatnes fiksācijas sviru un tad ievietojiet darbarīku apgriezējmašīnas pamatnē, savietojot darbarīka rievu ar izbīdījumu apgriezējmašīnas pamatnē.

► **Att.20:** 1. Bloķēšanas svira

**PIEZĪME:** Attēlā tālāk parādīts, kā jūs varat izmantot papildaprīkojumu – apgriezējmašīnas pamatni (sveķu). Kad izmantojat apgriezējmašīnas pamatni (sveķu), neatbrīvojiet un nebloķējiet fiksācijas sviru, bet gan atskrūvējiet vai pievelciet ar roku skrūvējamo uzgriezni.

► **Att.21:** 1. Ar roku skrūvējams uzgrieznis

2. Aizveriet fiksācijas sviru.

3. Piestipriniet apgriezējmašīnas pamatnei putekļsūcēja uzgali un tad pievelciet pirkstu skrūvi.

► **Att.22:** 1. Putekļsūcēja uzgals 2. Spārnskrūve

► **Att.23**

Lai noņemtu pamatni, iepriekš aprakstītās darbības izpildiet pretējā secībā.

**⚠ UZMANĪBU:** Ja darbarīku izmantojat ar apgriezējmašīnas pamatni, vienmēr piestipriniet putekļsūcēja uzgali apgriezējmašīnas pamatnei.

## Slīpās pamatnes uzstādīšana vai noņemšana

### Papildpiederums

1. Atveriet slīpās pamatnes fiksācijas sviru un tad ievietojiet darbarīku slīpajā pamatnē, savietojot darbarīka rievu ar izbīdījumu slīpajā pamatnē.

► **Att.24:** 1. Bloķēšanas svira

2. Aizveriet fiksācijas sviru.

Lai noņemtu pamatni, iepriekš aprakstītās darbības izpildiet pretējā secībā.

## Nobīdes pamatnes uzstādīšana vai noņemšana

### Papildpiederums

1. Piespiediet vārpstas bloķētāju un tad atskrūvējiet ietvara uzgriezni.

► **Att.25:** 1. Ietvara uzgrieznis 2. Vārpstas bloķētājs 3. Uzgriežņatslēga

2. Noņemiet ietvara uzgriezni un tad ietvara konusu.

► **Att.26:** 1. Ietvara uzgrieznis 2. Ietvara konuss

3. Uzstādiat skriemeli uz darbarīka, piespiežot vārpstas bloķētāju un ar uzgriežņatslēgu pieskrūvējot skriemeli.

► **Att.27:** 1. Uzgriežņatslēga 2. Skriemelis 3. Vārpstas bloķētājs

4. Atskrūvējiet pamatnes plāksnes skrūves un tad noņemiet pamatnes plāksni.

► **Att.28:** 1. Pamatnes plāksne

5. Atveriet nobīdes pamatnes fiksācijas sviru un ievietojiet darbarīku nobīdes pamatnē.

► **Att.29:** 1. Bloķēšanas svira

6. Uzstādiat siksnu uz skriemeļa, manuāli pagriežot siksnu.

► **Att.30:** 1. Skriemelis 2. Sikсна

7. Aizveriet fiksācijas sviru.

► **Att.31:** 1. Bloķēšanas svira

8. Piestipriniet pamatnes plāksni, pievelkot skrūves.

► **Att.32:** 1. Pamatnes plāksne

9. Ievietojiet ietvara konusu un apgriezējmašīnas uzgali nobīdes pamatnē un tad pievelciet konusa uzgriezni.

► **Att.33:** 1. Apgriezējmašīnas uzgals 2. Ietvara uzgrieznis 3. Ietvara konuss

10. Ievietojiet sešstūru uzgriežņatslēgu nobīdes pamatnē un tad ar uzgriežņatslēgu pievelciet konusa uzgriezni.

► **Att.34:** 1. Ietvara uzgrieznis 2. Uzgriežņatslēga 3. Sešstūru uzgriežņatslēga

Lai noņemtu pamatni, iepriekš aprakstītās darbības izpildiet pretējā secībā.

**PIEZĪME:** Rīkojoties, kā norādīts attēlā, siksnu uz skriemeļa var uzmontēt, arī nenonēmot pamatnes plāksni.

► **Att.35:** 1. Skriemelis 2. Sikсна

## Iegremdēšanas pamatnes uzstādīšana vai noņemšana

### Papildpiederums

1. Atveriet iegremdēšanas pamatnes fiksācijas sviru un tad pilnībā ievietojiet darbarīku iegremdēšanas pamatnē, savietojot darbarīka rievu ar izbīdījumu iegremdēšanas pamatnē.

► **Att.36:** 1. Bloķēšanas svira

2. Aizveriet fiksācijas sviru.

Lai noņemtu pamatni, iepriekš aprakstītās darbības izpildiet pretējā secībā.

## Paralēlā lineāla uzstādīšana vai noņemšana no iegremdēšanas pamatnes

### Papildpiederums

Ievietojiet vadotnes sliedes iegremdēšanas pamatnes caurumos un tad pievelciet spārnskrūves. Lai noņemtu lineālu, iepriekš aprakstītās darbības izpildiet pretējā secībā.

► **Att.37:** 1. Spārnskrūve 2. Vadotne

## Putekļsūcēja uzgaļa uzstādīšana vai noņemšana no iegremdēšanas pamatnes

Ievietojiet putekļsūcēja uzgali iegremdēšanas pamatnē tā, lai putekļsūcēja uzgaļa izvirkums savietotos ar riervu iegremdēšanas pamatnē, un tad pievelciet putekļsūcēja uzgaļa pirkstu skrūvi. Lai noņemtu uzgali, iepriekš aprakstītās darbības izpildiet pretējā secībā.

► **Att.38:** 1. Izvirkums 2. Putekļsūcēja uzgali 3. Spārnskrūve

► **Att.39**

## EKSPLUATĀCIJA

### Darbarīka izmantošana ar apgriezējmašīnas pamatni

Novietojiet darbarīka pamatni uz apstrādājamā materiāla tā, lai apgriezējmašīnas uzgali nepieskartos virsmai. Ieslēdziet darbarīku un gaidiet, līdz uzgali sasniedz pilnu ātrumu. Virziet darbarīku uz priekšu pa apstrādājamo materiālu. Kamēr virzāt darbarīka pamatni, turiet to cieši klāt apstrādājamajam materiālam. Griežot stūrus, apstrādājamā materiāla virsmai ir jābūt apgriezējmašīnas uzgaļa kreisajā pusē no padeves virziena.

► **Att.40**

**PIEZĪME:** Pirms sākat griezt īsto materiālu, ieteicams veikt izmēģinājuma iegriezumu citur. Pareizs padeves ātrums ir atkarīgs no apgriezējmašīnas uzgaļa izmēra, apstrādājamā materiāla veida un griezumam dziļuma. Ja darbarīku uz priekšu virza pārāk ātri, var pasliktināties griezumam kvalitāte vai var sabojāt ierīces uzgali vai dzinēju. Ja darbarīku uz priekšu virza pārāk lēni, virsmu var apdedzināt vai sabojāt.

Izmantojot apgriezējmašīnas slieci, taisnā griezumam vadotni vai frēzes vadotni, tai jāatrodas padeves virziena labajā pusē. Šādi darbarīku būs vieglāk noturēt cieši klāt apstrādājamā materiāla malai.

► **Att.41:** 1. Apgriezējmašīnas uzgali 2. Apstrādājamais materiāls 3. Taisnā griezumam vadotne

**IEVĒRĪBAI:** Pārmērīgi grūta griešana var pārlogot motoru vai apgrūtināt darbarīka vadību, tāpēc riervu griešanas dziļums vienā reizē nedrīkst pārsniegt 3 mm. Ja rievas jāgriež dziļāk par 3 mm, dariet to vairākos piegājiēnos, aizvien palielinot frēzes uzgaļa dziļumu.

## Taisnā griezumam vadotnes lietošana

### Papildpiederumi

1. Pieskrūvējiet taisnā griezumam vadotni ar skrūvi un spārnskrūvi.

► **Att.42:** 1. Skrūve 2. Spārnskrūvis

2. Ar spīlējuma skrūvi pieskrūvējiet taisnā griezumam vadotni pie apgriezējmašīnas pamatnes.

► **Att.43:** 1. Spīlējuma skrūve

3. Atskrūvējiet taisnā griezumam vadotnes spārnskrūvi un noregulējiet attālumu starp uzgali un taisnā griezumam vadotni. Kad vēlamais attālums noregulēts, pievelciet spārnskrūvi.

► **Att.44:** 1. Spārnskrūvis

4. Darbarīku virziet tā, lai taisnā griezumam vadotne atrastos tieši uz apstrādājamā materiāla malas.

► **Att.45**

Ja attālums (A) starp apstrādājamā materiāla malu un griešanas vietu taisnā griezumam vadotnei ir pārāk liels vai ja apstrādājamā materiāla mala nav taisna, tad taisnā griezumam vadotni izmantot nevar.

Šādā gadījumā pie apstrādājamā materiāla stingri nostipriniet taisnu dēli un izmantojiet to kā vadotni apgriezējmašīnas pamatnei. Darbarīku virziet bultiņas virzienā.

► **Att.46**

## Taisnā griezumam vadotne apļveida griezumam

Apļveida griezumam salieciet taisnā griezumam vadotni, kā parādīts attēlos. Minimālais un maksimālais izgriežamo apļu rādiuss (attālums starp apļa centru un uzgaļa centru) norādīts tālāk:

- Minimums: 70 mm
- Maksimums: 221 mm

**Griežot apļus, kuru rādiuss ir no 70 mm līdz 121 mm.**

► **Att.47:** 1. Centra atvere

**Griežot apļus, kuru rādiuss ir no 121 mm līdz 221 mm.**

► **Att.48:** 1. Centra atvere

**PIEZĪME:** Ar šo vadotni nav iespējams griezt apļus, kuru rādiuss ir no 172 mm līdz 186 mm.

Savietojiet taisnā griezumam vadotnes centra atveri ar izgriežamā apļa centru. Lai nostiprinātu taisnā griezumam vadotni, centra atverē iedzeniet naglu, kuras diametrs nepārsniedz 6 mm. Darbarīku grieziet ap naglu pulksteņrādītāju kustības virzienā.

► **Att.49:** 1. Nagla 2. Centra atvere

## Šablona vadotnes lietošana

### Papildpiederumi

Šablona vadotne ļauj atkārtoti izzāgēt vienāda gājiēna figūras.

1. Atskrūvējiet pamatnes plāksnes skrūves un tad atvienojiet pamatnes plāksni no apgriezējmašīnas pamatnes.

2. Novietojiet šablona vadotni uz pamatnes un tad ar skrūvēm piestipriniet pamatnes plāksni.

► **Att.50:** 1. Pamatnes plāksne 2. Šablona vadotne

3. Darbarīku novietojiet uz šablona un pārvietojiet, šablona vadotnei slīdot gar šablona malu.

► **Att.51**



**PIEZĪME:** Patiesais griezuma izmērs uz apstrādājamā materiāla nedaudz atšķiras no šablona izmēra. Atšķirība ir attālumš (X) starp apgriezējmašīnas uzgali un šablona vadotnes ārpusi. Attālumu (X) var aprēķināt ar šādu vienādojumu:

$$\text{attālumš (X)} = (\text{šablona vadotnes ārējais diametrs} - \text{apgriezējmašīnas uzgala diametrs}) / 2$$

- **Att.52:** 1. Apgriezējmašīnas uzgali 2. Šablona vadotne 3. Attālumš (X) 4. Šablona vadotnes ārējais diametrs

## Apgriezējmašīnas vadotnes lietošana

### Papildpiederumi

Virzot vadotnes rullīti gar apstrādājamā materiāla malu, ar apgriezējmašīnas vadotni varēsiet izgriezt ieliektas formas, piemēram, finieri mēbelēm.

► **Att.53**

1. Atskrūvējiet spīlējuma skrūvi, uzstādiat apgriezējmašīnas vadotni uz apgriezējmašīnas pamatnes un tad pievelciat spīlējuma skrūvi.

► **Att.54:** 1. Spīlējuma skrūve

2. Atlaidiet spīlējuma skrūvi un, griežot regulēšanas skrūvi (1 mm apgriezienā), noregulējiet attālumu starp apgriezējmašīnas uzgali un apgriezējmašīnas vadotni. Kad vēlamais attālumš ir noregulēts, pievelciat spīlējuma skrūvi un nofiksējiet apgriezējmašīnas vadotni.

► **Att.55:** 1. Regulēšanas skrūve 2. Spīlējuma skrūve

3. Darbarīku ar vadotnes veltnīti virziet pa apstrādājamā materiāla sānu.

► **Att.56:** 1. Apstrādājamais materiāls 2. Uzgalis 3. Vadotnes veltnītis

## Darbarīka izmantošana ar slīpo pamatni

Slīpā pamatne ir ērta nošķēlumiem. Atskrūvējiet spārnskrūves, sasveriet darbarīku vajadzīgajā leņķī un tad pievelciat spārnskrūves.

Pie apstrādājamā materiāla stingri piestipriniet taisnu dēli un izmantojiet to kā vadotni slīpajai pamatnei. Darbarīku virziet bultiņas virzienā.

► **Att.57:** 1. Spārnskrūve

## Slīpās pamatnes plāksnes izmantošana ar apgriezējmašīnas pamatni

Lai apgriezējmašīnas pamatnes plāksni izmantotu ar taisnstūra pamatnes plāksni, noņemiet pamatnes plāksni no slīpās pamatnes un piestipriniet to apgriezējmašīnas pamatnei.

- **Att.58:** 1. Slīpās pamatnes plāksne 2. Apgriezējmašīnas pamatnes plāksne

## Darbarīka izmantošana ar nobīdes pamatni

Nobīdes pamatne ir parocīga, strādājot šaurās vietās, piemēram, stūros.

► **Att.59**

## Apgriezējmašīnas pamatnes lietošana ar nobīdes pamatni un rokturi

Nobīdes pamatni var izmantot arī ar apgriezējmašīnas pamatni un roktura stiprinājumu (papildaprīkojums), lai nodrošinātu lielāku stabilitāti.

1. Atskrūvējiet pamatnes plāksnes skrūves un tad atvienojiet pamatnes plāksni no nobīdes pamatnes.

- **Att.60:** 1. Nobīdes pamatnes plāksne 2. Apgriezējmašīnas pamatnes plāksne

2. Ar skrūvēm pieskrūvējiet nobīdes pamatnes plāksni apgriezējmašīnas pamatnei.

3. Ar skrūvēm pieskrūvējiet roktura stiprinājumu un stieņa veida rokturi nobīdes pamatnei.

- **Att.61:** 1. Stieņa veida rokturis 2. Roktura stiprinājums

Stieņa veida roktura vietā nobīdes pamatnei varat piestiprināt apaļo rokturi, kas noņemts no iegremdēšanas pamatnes.

- **Att.62:** 1. Skrūve 2. Apaļais rokturis

## Darbarīka izmantošana ar iegremdēšanas pamatni

Darba laikā vienmēr stingri ar abām rokām turiet rokturus. Apejieties ar darbarīku tāpat kā ar apgriezējmašīnas pamatni.

## Taisnā griezuma vadotnes lietošana

### Papildpiederumi

1. Ar spārnuzgriezni pieskrūvējiet taisnā griezuma vadotni pie turētāja. Ievietojiet vadotnes turētāju iegremdēšanas pamatnes caurumos un tad pievelciat spārnskrūves.

- **Att.63:** 1. Spārnskrūve 2. Vadotnes turētājs 3. Spārnuzgrieznis 4. Taisnā griezuma vadotne

2. Atskrūvējiet taisnā griezuma vadotnes spārnuzgriezni un noregulējiet attālumu starp uzgali un taisnā griezuma vadotni. Kad vēlamais attālumš noregulēts, pievelciat spārnuzgriezni.

- **Att.64:** 1. Spārnuzgrieznis

3. Apejieties ar darbarīku tāpat kā ar apgriezējmašīnas pamatni, kurai pievienota taisnā griezuma vadotne.

- **Att.65**

## Šablona vadotnes lietošana

### Papildpiederumi

1. Atskrūvējiet un izņemiet pamatnes skrūves. Šablona vadotni novietojiet uz pamatnes un tad pievelciet skrūves.

► **Att.66:** 1. Skrūve 2. Šablona vadotne

2. Apejieties ar darbarīku tāpat kā ar apgriezējmašīnas pamatni, kurai pievienota šablona vadotne.

► **Att.67**

## Paralēlā lineāla izmantošana

Paralēlais lineāls ir noderīgs taisniem griezumiem, veidojot nošķēlumus vai rievas. Noregulējiet attālumu starp uzgali un paralēlo lineālu. Kad vēlamais attālums noregulēts, pievelciet spārnskrūves, lai nofiksētu paralēlo lineālu. Griešanas laikā darbarīku pārvietojiet tā, lai paralēlais lineāls atrastos tieši uz apstrādājamā materiāla malas.

► **Att.68**

Ja attālums (A) starp apstrādājamā materiāla malu un griešanas vietu paralēlajam lineālam ir pārāk liels vai ja apstrādājamā materiāla mala nav taisna, tad paralēlo lineālu izmantot nevar.

Šādā gadījumā pie apstrādājamā materiāla stingri nostipriniet taisnu dēli un izmantojiet to kā vadotni iegremdēšanas pamatnei. Darbarīku virziet bultiņas virzienā.

► **Att.69**

## Apajā roktura maiņa uz stieņa veida rokturi

Lai iegremdēšanas pamatnei piestiprinātu apaļo rokturi, atskrūvējiet apaļā roktura skrūvi, noņemiet apaļo rokturi un tad pieskrūvējiet stieņa veida rokturi.

► **Att.70:** 1. Apaļais rokturis 2. Skrūve 3. Stieņa veida rokturis

## APKOPE

**▲UZMANĪBU:** Pirms darbarīka pārbaudes vai apkopes vienmēr pārlicinieties, ka darbarīks ir izslēgts un akumulatora kasetne ir izņemta.

**IEVĒRĪBAI:** Nekad neizmantojiet gazolinu, benzīnu, atšķaidītāju, spirtu vai līdzīgus šķidrumus. Tas var radīt izbalēšanu, deformāciju vai plaisas.

Lai saglabātu izstrādājuma DROŠU un UZTICAMU darbību, remontdarbus, apkopi un regulēšanu uzticiet veikt tikai Makita pilnvarotam vai rūpnīcas apkopes centram, un vienmēr izmantojiet tikai Makita rezerves daļas.

## PAPILDU PIEDERUMI

**▲UZMANĪBU:** Šādi piederumi un papildierīces tiek ieteiktas lietošanai ar šajā rokasgrāmatā aprakstīto Makita darbarīku. Izmantojot citus piederumus vai papildierīces, var tikt radīta traumu gūšanas bīstamība. Piederumu vai papildierīci izmantojiet tikai paredzētajam mērķim.

Ja jums vajadzīga palīdzība vai precīzāka informācija par šiem piederumiem, vērsieties savā tuvākajā Makita apkopes centrā.

- Taisnā griezuma un rievu uzgali
- Malu uzgali
- Lamināta uzgali
- Taisnā griezuma vadotne montējums
- Apgriezējmašīnas vadotne
- Apgriezējmašīnas pamatne
- Apgriezējmašīnas pamatne (sveķu)
- Slīpā pamatne
- Iegremdēšanas pamatne
- Nobīdes pamatne
- Roktura stiprinājums
- Šablona vadotne
- Ietvara konuss 6 mm
- Ietvara konuss 6,35 mm (1/4")
- Ietvara konuss 8 mm
- Ietvara konuss 9,53 mm (3/8")
- Uzgriežņatslēga 13
- Uzgriežņatslēga 22
- Makita oriģinālais akumulators un lādētājs

**PIEZĪME:** Daži sarakstā norādītie izstrādājumi var būt iekļauti instrumenta komplektācijā kā standarta piederumi. Tie dažādās valstīs var būt atšķirīgi.

## Apgriezējmašīnas uzgali

Taisnā griezuma uzgali

► **Att.71**

	D	A	L1	L2
20	6	20	50	15
20E	1/4"			
8	8	8	60	25
8	6			
8E	1/4"			
6	6	6	50	18
6E	1/4"			

Mērvienība: mm

U formas rievu frēzēšanas uzgali

► **Att.72**

	D	A	L1	L2	R
6	6	6	50	18	3
6E	1/4"				

Mērvienība: mm



**V formas rievu frēzēšanas uzgalis**

► Att.73

D	A	L1	L2	θ
1/4"	20	50	15	90°

Mērvienība: mm

**Urbja smailes līdzenas apgrīšanas uzgalis**

► Att.74

	D	A	L1	L2	L3
8	8	8	60	20	35
6	6	6		18	28
6E	1/4"				

Mērvienība: mm

**Urbja smailes dubultas līdzenas apgrīšanas uzgalis**

► Att.75

	D	A	L1	L2	L3	L4
8	8	8	80	95	20	25
6	6	6	70	40	12	14
6E	1/4"					

Mērvienība: mm

**Stūra noapaļošanas uzgalis**

► Att.76

	D	A1	A2	L1	L2	L3	R
8R	6	25	9	48	13	5	8
8RE	1/4"						
4R	6	20	8	45	10	4	4
4RE	1/4"						

Mērvienība: mm

**Nošķēluma uzgalis**

► Att.77

D	A	L1	L2	L3	θ
6	23	46	11	6	30°
6	20	50	13	5	45°
6	20	49	14	2	60°

Mērvienība: mm

**Iedobuma profilēšanas uzgalis**

► Att.78

D	A	L1	L2	R
6	20	43	8	4
6	25	48	13	8

Mērvienība: mm

**Lodīšu gultņu līdzenas apgrīšanas uzgalis**

► Att.79

D	A	L1	L2
6	10	50	20
1/4"			

Mērvienība: mm

**Lodīšu gultņu stūru noapaļošanas uzgalis**

► Att.80

D	A1	A2	L1	L2	L3	R
6	15	8	37	7	3,5	3
6	21		40	10		
1/4"						

Mērvienība: mm

**Lodīšu gultņu nošķēluma uzgalis**

► Att.81

D	A1	A2	L1	L2	θ
6	26	8	42	12	45°
1/4"					
6	20		41	11	60°

Mērvienība: mm

**Lodīšu gultņu profilēšanas uzgalis**

► Att.82

D	A1	A2	A3	L1	L2	L3	R
6	20	12	8	40	10	5,5	4
6	26			42	12	4,5	7

Mērvienība: mm

**Lodīšu gultņu iedobuma profilēšanas uzgalis**

► Att.83

D	A1	A2	A3	A4	L1	L2	L3	R
6	20	18	12	8	40	10	5,5	3
6	26	22			42	12	5	5

Mērvienība: mm

**Lodīšu gultņu romiešu stila profilēšanas uzgalis**

► Att.84

D	A1	A2	L1	L2	L3	R1	R2
6	20	8	40	10	4,5	2,5	4,5
6	26		42	12		3	6

Mērvienība: mm

## SPECIFIKACIJOS

Modelis:	DRT50
Įvorės griebtuvo dydis	6 mm, 8 mm, 1/4", arba 3/8"
Greitis be apkrovos	10 000 - 30 000 min <sup>-1</sup>
Bendras ilgis	226 mm
Vardinė įtampa	N.S. 18 V
Standartinė akumuliatoriaus kasetė	BL1815N / BL1820 / BL1820B / BL1830 / BL1830B / BL1840 / BL1840B / BL1850 / BL1850B / BL1860B
Grynasis svoris	1,8 – 2,1 kg

- Atlikame tęstinius tyrimus ir nuolat tobuliname savo gaminius, todėl čia pateikiamos specifikacijos gali būti keičiamos be įspėjimo.
- Įvairiose šalyse specifikacijos ir akumuliatoriaus kasetė gali skirtis.
- Svoris gali priklausyti nuo priedo (-ų), įskaitant akumuliatoriaus kasetę. Lengviausias ir sunkiausias deriniai pagal EPTA 2014 m. sausio mėn. procedūrą yra parodyti lentelėje.

### Numatytoji naudojimo paskirtis

Šis įrankis skirtas medienai, plastmasei ir panašioms medžiagoms apdailinti ir profiluoti.

### Triukšmas

Įprastas triukšmo A lygis, nustatytas pagal EN60745:  
Garso slėgio lygis (L<sub>PA</sub>): 78 dB (A)  
Paklaida (K): 3 dB (A)

**⚠️ ĮSPĖJIMAS:** Dėvėkite ausų apsaugą.

### Vibracija

Vibracijos bendroji vertė (triašio vektorius suma) nustatyta pagal EN60745 standartą:  
Darbo režimas: grežimas be kalimo  
Vibracijos emisija (a<sub>h</sub>): 2,5 m/s<sup>2</sup> arba mažiau  
Paklaida (K): 1,5 m/s<sup>2</sup>  
Darbo režimas: griovelių pjovimas MDF režimu  
Vibracijos emisija (a<sub>h</sub>): 4,5 m/s<sup>2</sup>  
Paklaida (K): 1,5 m/s<sup>2</sup>

**PASTABA:** Paskelbtasis vibracijos emisijos dydis nustatytas pagal standartinį testavimo metodą ir jį galima naudoti vienam įrankiui palyginti su kitu.

**PASTABA:** Paskelbtasis vibracijos emisijos dydis taip pat gali būti naudojamas preliminariai įvertinti vibracijos poveikį.

**⚠️ ĮSPĖJIMAS:** Faktiškai naudojant elektrinį įrankį, keliamos vibracijos dydis gali skirtis nuo paskelbtojo dydžio, priklausomai nuo būdų, kuriais yra naudojamas šis įrankis.

**⚠️ ĮSPĖJIMAS:** Siekdami apsaugoti operatorių, būtinai įvertinkite saugos priemones, remdamiesi vibracijos poveikio įvertinimu esant faktinėms naudojimo sąlygoms (atsižvelgdami į visas darbo ciklo dalis, pavyzdžiui, ne tik kiek laiko įrankis veikia, bet ir kiek kartų jis yra išjungiamas bei kai jis veikia be apkrovų).

### EB atitikties deklaracija

*Tik Europos šalims*

EB atitikties deklaracija yra pridama kaip šio instrukcijų vadovo A priedas.

## SAUGOS ĮSPĖJIMAI

### Bendrieji įspėjimai dirbant elektriniais įrankiais

**⚠️ ĮSPĖJIMAS:** Perskaitykite visus saugos įspėjimus, instrukcijas, iliustracijas ir techninius duomenis, pateiktus kartu su šiuo elektriniu įrankiu. Nesilaikant visų toliau išvardytų instrukcijų galima patirti elektros smūgi, gali kilti gaisras ir (arba) galima sunkiai susižaloti.

### Išsaugokite visus įspėjimus ir instrukcijas, kad galėtumėte jas peržiūrėti ateityje.

Terminas „elektrinis įrankis“ pateiktuose įspėjimuose reiškia į maitinimo tinklą jungiamą (laidinį) elektrinį įrankį arba akumuliatoriaus maitinamą (belaidį) elektrinį įrankį.

### Belaidės frezos saugos įspėjimai

1. **Laikykitės elektrinį prietaisą tik už izoliuotų, laikyti skirtų vietų, nes pjaustytuvas gali užkliudyti nematomus laidus.** Prisilietus prie laido, kuriuo teka elektros srovė, išorinės metalinės dalys taip pat turi srovę ir gali nutrenkti operatorių.
2. **Ruošinė ant stabilios platformos tvirtinkite spaustuvais arba kitais parankiais būdais.** Jei laikysite ruošinį rankomis arba atrėmę j save, jis nebus stabilus, todėl galite prarasti jo kontrolę.
3. **Jei ketinate dirbti ilgai, naudokite klausos apsaugines priemones.**

4. Su profiliavimo staklių frezomis elkitės labai atsargiai.
5. Prieš naudodami patikrinkite profiliavimo staklių frežą, ar nėra įtrūkimų ar pažeidimų. Nedelsdami pakeiskite įtrūkusią arba pažeistą frežą.
6. Nepjaukite vinių. Prieš dirbdami apžiūrėkite ruošinį ir išimkite visas vinis.
7. Tvirtai laikykite įrankį.
8. Laikykite rankas toliau nuo sukamųjų dalių.
9. Prieš įjungdami jungiklį, patikrinkite, ar profiliavimo staklių freza neličia ruošinio.
10. Prieš naudodami įrankį su ruošiniu, leiskite jam kurį laiką veikti be apkrovos. Jei pastebėsite vibraciją arba klībėjimą, tai gali rodyti, kad freza netinkamai įstatyta.
11. Atkreipkite dėmesį į profiliavimo staklių frezos sukimosi kryptį ir tiekimo kryptį.
12. Nepalikite veikiančio įrankio. Naudokite įrankį tik laikydami rankomis.
13. Prieš ištraukdami įrankį iš ruošinio, būtinai išjunkite ir palaukite, kol profiliavimo staklių freza visiškai sustos.
14. Nelieskite profiliavimo staklių frezos iškart po naudojimo; jis gali būti itin karštas ir nudeginti odą.
15. Saugokitės, kad neišteptumėte įrankio pagrindo skiedikliu, benzinu, alyva ir pan. Jie gali įskelti įrankio pagrindą.
16. Naudokite reikiamo skersmens profiliavimo staklių frezas, tinkamas pagal įrankio greitį.
17. Kai kuriose medžiagose esama cheminių medžiagų, kurios gali būti nuodingos. Saugokitės, kad neįkvėptumėte dulkių ir nesiliestumėte oda. Laikykites medžiagų tiekėjo saugos duomenų.
18. Atsižvelgdami į apdirbamą medžiagą ir darbo pobūdį, būtinai užsidėkite kaukę nuo dulkių / respiratorių.
5. Neužtrumpinkite akumulatoriaus kasetės:
  - (1) Nelieskite kontaktų degiomis medžiagomis.
  - (2) Venkite laikyti akumulatoriaus kasetę kartu su kitais metaliniais daiktais, pavyzdžiui, vinimis, monetomis ir pan.
  - (3) Saugokite akumulatoriaus kasetę nuo vandens ir lietaus.

Trumpasis jungimas akumulatoriuje gali sukelti stiprią srovę, perkaitimą, galimus nudegimus ar net akumulatoriaus gedimą.
6. Nelaikykite įrankio ir akumulatoriaus kasetės vietose, kur temperatūra gali pasiekti ar viršyti 50 °C.
7. Nedeginkite akumulatoriaus kasetės, net jei yra stipriai pažeista ar visiškai susidėvėjusi. Ugnyje akumulatoriaus kasetė gali sprogti.
8. Saugokite akumulatorių nuo kritimo ir smūgių.
9. Nenaudokite pažeisto akumulatoriaus.
10. Įdėtos ličio jonų akumulatoriams taikomi Pavojingų prekių teisės akto reikalavimai. Komercinis transportas, pvz., trečiųjų šalių, prekių vežimo atstovų, turi laikytis specialaus reikalavimo ant pakuotės ir ženklinimo. Norėdami paruošti siųstiną prekę, pasitarkite su pavojingų medžiagų specialistu. Be to, laikykites galimai išsamesnių nacionalinių reglamentų. Užklijuokite juosta arba padenkite atvirus kontaktus ir supakuokite akumulatorių taip, kad jį pakuotėje nejudėtų.
11. Vadovaukitės vietos įstatymais dėl akumulatorių išmetimo.
12. Baterijas naudokite tik su „Makita“ nurodytais gaminiais. Baterijas įdėjus į netinkamus gaminius gali kilti gaisras, gaminys pernelyg kaisti, kilti sprogimas arba pratekėti elektrolitas.

## SAUGOKITE ŠIAS INSTRUKCIJAS.

**⚠️ PERSPĖJIMAS:** NELEISKITE, kad patogumas ir gaminio pažinimas (įgyjamas pakartotinai naudojant) susilpnintų griežtą saugos taisyklių, taikytinų šiam gaminiui, laikymąsi. Dėl NETINKAMO NAUDOJIMO arba saugos taisyklių, kurios pateiktos šioje instrukcijoje, nesilaikymo galima rimtai susižeisti.

### Svarbios saugos instrukcijos, taikomos akumulatoriaus kasetei

1. Prieš naudodami akumulatoriaus kasetę, perskaitykite visas instrukcijas ir perspėjimus ant (1) akumulatorių įkroviklio, (2) akumulatorių ir (3) akumulatorių naudojančio gaminio.
2. Neardykite akumulatoriaus kasetės.
3. Jei įrankio darbo laikas žymiai sutrumpėjo, nedelsdami nutraukite darbą su įrankiu. Tai gali kelti perkaitimo, nudegimų ar net sprogimo pavojų.
4. Jei elektrolitas pateko į akis, plaukite jas tyru vandeniu ir nedelsdami kreipkitės į gydytoją. Gali kilti regėjimo praradimo pavojus.

## SAUGOKITE ŠIAS INSTRUKCIJAS.

**⚠️ PERSPĖJIMAS:** Naudokite tik originalų „Makita“ akumulatorių. Neoriginalaus „Makita“ arba pakeisto akumulatoriaus naudojimas gali nulemti gaisrą, asmens sužalojimą ir pažeidimą. Tai taip pat panaikina „Makita“ suteikiamą „Makita“ įrankio ir įkroviklio garantiją.

### Patarimai, ką daryti, kad akumulatorius veiktų kuo ilgiau

1. Pakraukite akumulatoriaus kasetę prieš jai visiškai išsikraunant. Visuomet nustokite naudoti įrankį ir pakraukite akumulatoriaus kasetę, kai pastebite, kad įrankio galia sumažėjo.
2. Niekada nekraukite iki galo įkrautos akumulatoriaus kasetės. Perkraunant trumpėja akumulatoriaus eksploatacijos laikas.
3. Akumulatoriaus kasetę kraukite esant kambario temperatūrai 10 - 40 °C. Prieš pradėdami krauti, leiskite įkaitusiai akumulatoriaus kasetei atvėsti.
4. Įkraukite akumulatoriaus kasetę, jei jos nenaudojate ilgą laiką (ilgiau nei šešis mėnesius).

# VEIKIMO APRAŠYMAS

**⚠ PERSPĖJIMAS:** Prieš pradėdami reguliuoti arba tikrinti įrankio veikimą, visuomet būtinai išjunkite įrankį ir išimkite akumuliatoriaus kasetę.

## Akumuliatoriaus kasetės uždėjimas ir nuėmimas

**⚠ PERSPĖJIMAS:** Prieš įdėdami arba išimdami akumuliatoriaus kasetę, visada išjunkite įrankį.

**⚠ PERSPĖJIMAS:** Įdėdami arba išimdami akumuliatoriaus kasetę, tvirtai laikykite įrankį ir akumuliatoriaus kasetę. Jeigu įrankį ir akumuliatoriaus kasetę laikysite netvirtai, jie gali išslysti iš jūsų rankų, todėl įrankis ir akumuliatoriaus kasetė gali būti sugadinti, o naudotojas sužalotas.

- **Pav.1:** 1. Raudonas indikatorius 2. Mygtukas 3. Akumuliatoriaus kasetė

Jei norite išimti akumuliatoriaus kasetę, ištraukite ją iš įrankio, stumdami mygtuką, esantį kasetės priekyje.

Jei norite įdėti akumuliatoriaus kasetę, sulygiuokite liežuvių ant akumuliatoriaus kasetės su grioveliu korpusė ir įstumkite į jai skirtą vietą. Įdėkite iki galo, kol spragtelėdama užsifiksuos. Jeigu matote raudoną indikatorių viršutinėje mygtuko pusėje, ji nėra visiškai užfiksuota.

**⚠ PERSPĖJIMAS:** Akumuliatoriaus kasetę visada įkiškite iki galo, kol nebematysite raudono indikatoriaus. Priešingu atveju ji gali atsiktinkinai iškristi iš įrankio, sužeisti jus arba aplinkinius.




**⚠ PERSPĖJIMAS:** Neikiškite akumuliatoriaus kasetės įėga. Jeigu kasetė sunkiai lenda, ją kiškite netinkamai.

## Likusios akumuliatoriaus galios rodymas

**Tik akumuliatoriaus kasetėms su indikatoriumi**

- **Pav.2:** 1. Indikatorijų lemputės 2. Tikrinimo mygtukas

Paspauskite akumuliatoriaus kasetės tikrinimo mygtuką, kad būtų rodoma likusi akumuliatoriaus energija. Maždaug trims sekundėms užsidegs indikatorijų lemputės.

Indikatorijų lemputės			Likusi galia
			
■	□	▬	75 - 100 %
■	■	■	50 - 75 %
■	■	□	25 - 50 %
■	□	□	0 - 25 %
▬	□	□	Įjunkite akumuliatorių.
■	■	□	Galimai įvyko akumuliatoriaus veikimo triktis.
□	□	■	

**PASTABA:** Rodmuo gali šiek tiek skirtis nuo faktinės energijos lygio – tai priklauso nuo naudojimo sąlygų ir aplinkos temperatūros.

## Įrankio / akumuliatoriaus apsaugos sistema

Įrankyje įrengta įrankio / akumuliatoriaus apsaugos sistema. Ši sistema automatiškai atjungia variklio maitinimą, kad įrankis ir akumuliatorius ilgiau veiktų. Įrankis automatiškai išsijungs darbo metu esant vienai iš toliau nurodytų įrankio arba akumuliatoriaus darbo sąlygų:

### Apsauga nuo perkrovos

Akumuliatorių naudojant taip, kad susidaro neįprastai aukšta srovė, nepateikiant jokios indikacijos, įrankis automatiškai sustabdomas. Tokiu atveju išjunkite įrankį ir nutraukite darbą, dėl kurio įrankis buvo perkrautas. Tada įjunkite įrankį, kad jis būtų paleistas iš naujo.

### Apsauga nuo perkaitimo

Kai įrankis ar akumuliatorius perkaista, jis automatiškai išsijungia ir pradeda mirksėti lemputė. Esant šiai situacijai, leiskite įrankiui ir akumuliatoriui atvėsti, prieš vėl jungdami įrankį.

### Apsauga nuo visiško išsekvojimo

Kai akumuliatoriaus įkrovos lygis nepakankamas, įrankis automatiškai išsijungia. Tokiu atveju ištraukite akumuliatorių iš įrankio ir įkraukite jį.

## Jungiklio veikimas

Norėdami įjungti prietaisą, paspauskite fiksavimo jungiklį. Prietaisas pereina į laukimo režimą. Norėdami įjungti prietaisą, paspauskite įjungimo/išjungimo mygtuką prietaisui veikiant laukimo režimu. Norėdami sustabdyti prietaisą, paspauskite įjungimo/išjungimo mygtuką. Prietaisas pereina į laukimo režimą. Norėdami išjungti prietaisą, paspauskite užrakinimo/atrakinimo mygtuką prietaisui veikiant laukimo režimu.

- **Pav.3:** 1. Užfiksavimo / atlaisvinimo mygtukas 2. Įjungimo/išjungimo mygtukas

**PASTABA:** Jeigu prietaisui veikiant parengties režimu 10 sekundžių neatliekamas joks veiksmas, jis automatiškai išsijungiamas ir lemputė užgęsta.

**PASTABA:** Taip pat galite sustabdyti ir išjungti prietaisą paspaudę užrakinimo/atrakinimo mygtuką, kol prietaisas veikia.

## Priekinės lemputės uždegimas

**⚠ PERSPĖJIMAS:** Nežiūrėkite tiesiai į šviesą arba šviesos šaltinį.

Norėdami įjungti lemputę, paspauskite užfiksavimo / atlaisvinimo jungiklį. Norėdami įjungti lemputę, paspauskite užfiksavimo / atlaisvinimo jungiklį dar kartą.

**PASTABA:** Jeigu prietaisas perkaista, pradeda žybcioti lemputė. Palaukite, kol prietaisas visiškai atvės, o paskui vėl tęskite darbą.

**PASTABA:** Purvą nuo lemos objektyvo nuvalykite sausu skudurėliu. Būkite atsargūs, kad nesubraižytumėte lemos objektyvo, nes pablogės apšvietimas.

## Greičio reguliavimo ratukas

Prietaiso sukimosi greitį galima keisti sukant greičio reguliavimo ratuką. Toliau pateiktoje lentelėje parodytas skaičius skalėje ir atitinkamas sukimosi greitis.

► **Pav.4:** 1. Greičio reguliavimo ratukas

Skaičius	Greitis
1	10 000 min <sup>-1</sup>
2	15 000 min <sup>-1</sup>
3	20 000 min <sup>-1</sup>
4	25 000 min <sup>-1</sup>
5	30 000 min <sup>-1</sup>

**PASTABA:** Jeigu prietaisu ilgą laiką be pertraukos dirbama nedideliu greičiu, variklis bus perkrautas ir prietaisas suges.

**PASTABA:** Keisdami greitį nuo „5“ iki „1“, sukite ratuką prieš laikrodžio rodyklę. Nesukite rankenėlės pagal laikrodžio rodyklę per jėgą.

## Elektroninė funkcija

Prietaise yra elektroninė funkcija paprastam naudojimui.

- Nuolatinis greičio reguliavimas  
Greičio kontrolės funkcija užtikrina pastovų sukimosi greitį, nepriklausomai nuo apkrovos.
- Švelnus paleidimas  
Švelnaus paleidimo funkcija iki minimumo sumažina paleidimo smūgį ir leidžia sklandžiai paleisti prietaisą.

## Pjovimo gylio nustatymas

Norėdami pareguliuoti pjovimo gylį, atsukite fiksavimo svirtį ir, sukdami reguliavimo varžtą, pakreipkite prietaiso pagrindą norimu kampu aukštyn arba žemyn. Sureguliuotą tvirtai uždarykite svirtį.

► **Pav.5:** 1. Fiksavimo svirtis 2. Reguliavimo varžtas

**PASTABA:** Jeigu užtvirtinus fiksavimo svirtį prietaisas vis tiek neužtvirtinamas, priveržkite šešiakampę veržlę, tada užtvirtinkite fiksavimo svirtį.

► **Pav.6:** 1. Šešiakampė veržlė

## Nuleidžiamo pagrindo pjovimo gylio nustatymas

**Pasirenkamasis priedas**

1. Padėkite prietaisą ant lygaus paviršiaus.
  2. Pasirinkite stabdiklio varžtą sukdami stabdiklio pagrindą.
- **Pav.7:** 1. Stabdiklio varžtas 2. Stabdiklio pagrindas

3. Atsukite stabdiklio strypo tvirtinimo veržlę, tada patraukite stabdiklio strypą į viršų, spausdami veikimo mygtuką.

► **Pav.8:** 1. Stabdiklio strypas 2. Fiksuojamoji veržlė 3. Veikimo mygtukas

4. Spauskite prietaisą žemyn tol, kol frezos peilio galas palies plokščią paviršų, tada pasukite fiksavimo svirtį, norėdami įtvirtinti prietaisą.

► **Pav.9:** 1. Tvirtinimo svirtis 2. Frezos peilis

5. Nuspauskite stabdiklio strypą, spausdami veikimo mygtuką, kol jis palies stabdiklio strypą.

► **Pav.10:** 1. Stabdiklio strypas 2. Stabdiklio varžtas 3. Veikimo mygtukas

6. Pastumkite gylio žymeklį taip, kad žymelis skalėje rodytų „0“.

► **Pav.11:** 1. Gylio žymeklis

7. Sureguliuokite pjovimo gylį, traukdami stabdiklio strypą į viršų ir spausdami veikimo mygtuką.

► **Pav.12:** 1. Stabdiklio strypas 2. Veikimo mygtukas

8. Norėdami tiksliai nustatyti pjovimo gylį, pasukite ratuką ant stabdiklio strypo taip, kad jis rodytų „0“.

► **Pav.13:** 1. Ratukas

9. Pasukite stabdiklio strypo galvutę, norėdami gauti norimą gylį. Norėdami didinti gylį, sukite galvutę prieš laikrodžio rodyklę. Norėdami sumažinti gylį, sukite galvutę pagal laikrodžio rodyklę.

► **Pav.14:** 1. Stabdiklio strypo galvutė

10. Priveržkite stabdiklio strypą tvirtinimo veržlę.

► **Pav.15:** 1. Fiksuojamoji veržlė

11. Atleiskite fiksavimo svirtį.

► **Pav.16:** 1. Tvirtinimo svirtis

## SURINKIMAS

**⚠️ PERSPĖJIMAS:** Prieš darydami ką nors įrankiui visada patikrinkite, ar įrenginys išjungtas, o akumuliatorių kasetė – nuimta.

## Frezos peilio įdėjimas ir išėmimas

**PASTABA:** Nebandykite veržti įvorės veržlės prieš tai neuždėję frezos. Įvorės kūgis gali nulūžti.

Iki galo įkiškite frezos antgalį į įvorės kūgį. Paspauskite ašies fiksatorius ir priveržkite įvorės veržlę su raktu arba saugiai priveržkite įvorės veržlę su dviem veržliarakčiais. Jei norite nuimti peilį, laikykites uždėjimo procedūros atvirkščia tvarka.

► **Pav.17:** 1. Ašies fiksatorius 2. Atlaisvinti 3. Priveržti 4. Raktas 5. Įvorės veržlė

► **Pav.18:** 1. Raktas 2. Atlaisvinti 3. Priveržti 4. Įvorės veržlė

**PASTABA:** Ašies fiksatorius negali grįžti į pradinę padėtį, kai veržiate įvorės veržlę ties frezos peilio montavimo vieta. Ašies fiksatorius grįžta į pradinę padėtį, kai įjungiate prietaisą.

► **Pav.19:** 1. Ašies fiksatorius

## Frezos pagrindo įdėjimas ir išėmimas

1. Atidarykite frezos pagrindo fiksavimo svirtį, tada įdėkite prietaisą į frezos pagrindą, sulygiuodami griovelį ant prietaiso su iškyša ant frezos pagrindo.

► **Pav.20:** 1. Fiksavimo svirtis

**PASTABA:** Kaip pasirinkamą priedą galite naudoti (guminį) profiliavimo staklių pagrindą, kaip parodyta paveikslėlyje. Kai naudojate (guminį) profiliavimo staklių pagrindą, atlaisvinkite arba priveržkite varžtą su rankėne, o ne atidarykite ar uždarykite fiksavimo svirtelę.

► **Pav.21:** 1. Varžtas su rankėnele

2. Uždarykite fiksavimo svirtį.

3. Pritvirtinkite dulkių ištraukimo antgalį prie frezos pagrindo, tada užsukite sparnuotąjį veržlę.

► **Pav.22:** 1. Dulkių ištraukimo antgalis 2. Sparnuotoji veržlė

► **Pav.23**

Jei norite nuimti pagrindą, atlikite uždėjimo procedūrą atvirkščia tvarka.

**⚠ PERSPĖJIMAS:** Naudojant prietaisą su frezos pagrindu būtina uždėti dulkių ištraukimo antgalį ant frezos pagrindo.

## Pakreipiamo pagrindo įdėjimas ir nuėmimas

### Pasirenkamasis priedas

1. Atidarykite pakreipiamo pagrindo fiksavimo svirtį, tada įdėkite prietaisą į pakreipiamą pagrindą, sulygiuodami griovelį ant prietaiso su iškyša ant pakreipiamo pagrindo fiksavimo svirtį, tada įdėkite prietaisą.

► **Pav.24:** 1. Fiksavimo svirtis

2. Uždarykite fiksavimo svirtį.

Jei norite nuimti pagrindą, atlikite uždėjimo procedūrą atvirkščia tvarka.

## Slenkamo pagrindo įdėjimas ir nuėmimas

### Pasirenkamasis priedas

1. Paspauskite ašies fiksatorių, tada atlaisvinkite įvorės veržlę.

► **Pav.25:** 1. Įvorės veržlė 2. Ašies fiksatorius 3. Raktas

2. Nuimkite įvorės veržlę ir įvorės kūgį.

► **Pav.26:** 1. Įvorės veržlė 2. Įvorės kūgis

3. Sumontuokite skriemulį ant prietaiso, paspausdami ašies fiksatorių ir tvirtai užverždami skriemulį veržliarakčiu.

► **Pav.27:** 1. Raktas 2. Skriemulys 3. Ašies fiksatorius

4. Atsukite varžtus ant pagrindo plokštės ir nuimkite pagrindą plokštę.

► **Pav.28:** 1. Pagrindo plokštelė

5. Atidarykite slenkamo pagrindo fiksavimo svirtį ir įdėkite prietaisą į slenkamą pagrindą.

► **Pav.29:** 1. Fiksavimo svirtis

6. Pritvirtinkite diržą prie skriemulio sukdamis diržą rankiniu būdu.

► **Pav.30:** 1. Skriemulys 2. Diržas

7. Uždarykite fiksavimo svirtį.

► **Pav.31:** 1. Fiksavimo svirtis

8. Tada priveržkite pagrindo plokštę varžtais.

► **Pav.32:** 1. Pagrindo plokštelė

9. Įdėkite įvorės kūgį ir frezos peilį į slenkamą pagrindą ir priveržkite įvorės veržlę.

► **Pav.33:** 1. Frezos peilis 2. Įvorės veržlė 3. Įvorės kūgis

10. Įdėkite šešiakampį raktą į slenkamo pagrindo skylę ir priveržkite įvorės veržlę su raktu.

► **Pav.34:** 1. Įvorės veržlė 2. Raktas 3. Šešiakampis veržliasukis

Jei norite nuimti pagrindą, atlikite uždėjimo procedūrą atvirkščia tvarka.

**PASTABA:** Taip pat galite prijungti diržą prie skriemulio nemontuodami pagrindo plokštės, kaip parodyta paveikslėlyje.

► **Pav.35:** 1. Skriemulys 2. Diržas

## Nuleidžiamo pagrindo įdėjimas ir nuėmimas

### Pasirenkamasis priedas

1. Atidarykite nuleidžiamo pagrindo fiksavimo svirtį ir įkiškite įrankį iki galo į nuleidžiamą pagrindą, sutapdindami griovelį ant įrankio su iškyša ant nuleidžiamo pagrindo.

► **Pav.36:** 1. Fiksavimo svirtis

2. Uždarykite fiksavimo svirtį.

Jei norite nuimti pagrindą, atlikite uždėjimo procedūrą atvirkščia tvarka.

## Lygiagrečios linuotės ant nuleidžiamo pagrindo įdėjimas ir išėmimas

### Pasirenkamasis priedas

Įstatykite kreiptuvo juostas į angas, esančias nuleidžiamame pagrinde, ir užveržkite sparnuotąsias veržles.

Jei norite nuimti liniuotę, atlikite uždėjimo procedūrą atvirkščia tvarka.

► **Pav.37:** 1. Sparnuotasis varžtas 2. Kreiptuvo juosta

## Dulkių ištraukimo antgalio ant nuleidžiamo pagrindo įdėjimas ir išėmimas

Įdėkite dulkių ištraukimo antgalį į nuleidžiamą pagrindą taip, kad iškyša ant dulkių ištraukimo antgalio sutaptų su įjova ant nuleidžiamo pagrindo, tada užsukite veržlę ant dulkių ištraukimo antgalio. Jei norite nuimti antgalį, atlikite uždėjimo procedūrą atvirkščia tvarka.

► **Pav.38:** 1. Iškyša 2. Dulkių ištraukimo antgalis 3. Sparnuotoji veržlė

► **Pav.39**

# NAUDOJIMAS

## Prietaiso naudojimas su frezos pagrindu

Padėkite prietaiso pagrindą ant ruošinio, kurį pjausite, taip, kad frezos peilis ruošinio neliestų. Įjunkite prietaisą ir palaukite, kol freza pradės sukintis visu greičiu. Pastumkite prietaisą į priekį virš ruošinio paviršiaus. Priglauskite prietaiso pagrindą, stumdami prietaisą. Pjaunant kraštą, ruošinio paviršius turi būti iš kairės frezos peilio pusės, nukreiptas stūmimo kryptimi.

► **Pav.40**

**PASTABA:** Prieš pjaunant patį ruošinį, rekomenduojama atlikti bandomąjį pjovimą. Tinkamas prietaiso stūmimo tempas priklauso nuo frezos peilio dydžio, ruošinio rūšies ir pjovimo gylio. Per greitai stumiant prietaisą į priekį, pjūvis gali būti prastos kokybės arba galima sugadinti peilį arba variklį. Per lėtai stumiant prietaisą, pjūvis gali būti nudegintas arba sugadintas.

Naudodami frezos trinkelę, tiesų kreipiklį arba frezos kreipiklį, būtinai dėkite jį dešinėje pusėje, stūmimo kryptimi. Taip jis bus sutapdintas su ruošinio šonu.

► **Pav.41:** 1. Frezos peilis 2. Ruošinys 3. Tiesusis kreiptuvas

**PASTABA:** Pernelyg ilgai dirbant, variklis gali būti perkrautas, prietaisą gali būti sunku suvaldyti; pjaunant griovelius, pjūvio gylis neturėtų viršyti 3 mm. Jeigu norite pjauti gilesnius nei 3 mm griovelius, atlikite keletą pjūvių, vis padidindami peilio galo gylio nustatymus.

## Tiesiojo kreiptuvo naudojimas

### *Pasirenkamasis priedas*

1. Prie tiesiojo kreiptuvo pritvirtinkite varžtą ir sparnuotąją veržlę.

► **Pav.42:** 1. Varžtas 2. Sparnuotoji veržlė

2. Sumontuokite tiesųjį kreiptuvą ant frezos pagrindo, naudodami suveržimo varžtą.

► **Pav.43:** 1. Spaustuvo sraigtas

3. Atlaisvinkite sparnuotąją veržlę ant tiesiojo kreiptuvo ir pareguliuokite atstumą tarp peilio ir tiesiojo kreiptuvo. Nustatę norimą atstumą, užveržkite sparnuotąją veržlę.

► **Pav.44:** 1. Sparnuotoji veržlė

4. Pjaudami stumkite prietaisą su tiesiuoju kreiptuvu, sulygiavę jį su ruošinio kraštu.

► **Pav.45**

Jeigu atstumas (A) tarp ruošinio ir pjovimo padėties yra per didelis tiesiajam kreiptuvui, arba jeigu ruošinio kraštas netiesus, tiesiojo kreiptuvo naudoti negalima. Tokiu atveju prie ruošinio tvirtai prispauskite tiesią lentą ir naudokite ją kaip kreiptuvą, atrėmę į frezos pagrindą. Slinkite prietaisą rodyklės kryptimi.

► **Pav.46**

## Tiesiojo kreiptuvo naudojimas darbui su diskiniu pjūkle

Darbui su diskiniu pjūkle sumontuokite surinkti tiesųjį kreiptuvą, kaip parodyta paveikslėliuose. Galima atlikti tokius minimalaus ir maksimalaus spindulio pjūvius (atstumas tarp apskritimo centro ir peilio centro):

- Minimalus: 70 mm
- Maksimalus: 221 mm

### **Pjaunant nuo 70 mm iki 121 mm spindulio apskritimus.**

► **Pav.47:** 1. Centrinė skylė

### **Pjaunant nuo 121 mm iki 221 mm spindulio apskritimus.**

► **Pav.48:** 1. Centrinė skylė

**PASTABA:** Naudojant šį kreiptuvą, negalima pjauti apskritimų, kurių spindulys yra nuo 172 mm iki 186 mm.

Sulygiuokite tiesiojo kreiptuvo centrinę skylę su pjaunamo apskritimo centru. Į centrinę skylę įkalkite mažesnio nei 6 mm skersmens vinį, kad būtų užtvirtintas tiesusis kreiptuvas. Sukite įrankį aplink vinį pagal laikrodžio rodyklę.

► **Pav.49:** 1. Vinis 2. Centrinė skylė

## Lekalo kreiptuvo naudojimas

### *Pasirenkamasis priedas*

Su lekalo kreiptuvu galima pjauti pasikartojančius raštus naudojant lekala.

1. Atsukite varžtus ant pagrindo plokštės, tada nuimkite pagrindo plokštę nuo frezos pagrindo.

2. Padėkite lekalo kreiptuvą ant pagrindo ir pritvirtinkite pagrindo plokštę užverždami varžtus.

► **Pav.50:** 1. Pagrindo plokštelė 2. Lekalo kreiptuvas

3. Dėkite prietaisą ant lekalo ir kartu su lekalo kreiptuvu slinkite išilgai lekalo šono.

► **Pav.51**

**PASTABA:** Tikrasis pjaunamo ruošinio dydis šiek tiek skiriasi nuo lekalo. Tarp frezos peilio ir išorinio lekalo kreiptuvo krašto palikite (X) atstumą. (X) atstumą galima apskaičiuoti pagal tokią lygtį:

(X) atstumas = (lekalo kreiptuvo išorinis skersmuo - frezos peilio skersmuo) / 2

► **Pav.52:** 1. Frezos peilis 2. Lekalo kreiptuvas  
3. Atstumas (X) 4. Lekalo kreiptuvo išorinis skersmuo

## Naudojant frezos kreiptuvą

### *Pasirenkamasis priedas*

Su frezos kreiptuvu galima atlikti lenktus baldų faneros pjūvius, stumiant kreipiamąjį ritinėlį išilgai ruošinio.

► **Pav.53**

1. Atlaisvinkite varžtą, sumontuokite frezos kreiptuvą, frezos pagrindą, o tada priveržkite varžtą.

► **Pav.54:** 1. Spaustuvo sraigtas



2. Atlaisvinkite suveržimo varžtą ir, sukdami reguliavimo varžtą (1 mm/sūkiui), pareguliuokite atstumą tarp frezos peilio ir frezos kreiptuvo. Nustatę norimą atstumą, užveržkite suveržimo varžtą taip, kad frezos kreiptuvas nejudėtų.

► **Pav.55:** 1. Reguliavimo varžtas 2. Spaustuvo sraigtas

3. Pjaudami, stumkite prietaisą taip, kad kreiptuvo velenėlis slystų ruošinio šonu.

► **Pav.56:** 1. Ruošinys 2. Antgalis 3. Kreiptuvo velenėlis

## Prietaiso naudojimas su slenkamu pagrindu

Pakreipiamą pagrindą patogiu naudoti kamučių nupjovimui. Atsukite sparnuotuosius varžtus, palenkite prietaisą norimu kampu ir priveržkite sparnuotuosius varžtus.

Prie ruošinio tvirtai prispauskite tiesią lentą ir naudokite ją kaip kreiptuvą, atrėmę į pakreipiamą pagrindą. Slinkite prietaisą rodyklės kryptimi.

► **Pav.57:** 1. Sparnuotasis varžtas

## Pakreipiamo pagrindo plokštės naudojimas su frezos pagrindu

Norėdami naudoti frezos pagrindą su kvadratine pagrindo plokšte, nuimkite pagrindo plokštę nuo pakreipiamo pagrindo ir uždėkite ant frezos pagrindo.

► **Pav.58:** 1. Pakreipiamo pagrindo plokštė 2. Frezos pagrindo plokštė

## Prietaiso naudojimas su slenkamu pagrindu

Slenkamą pagrindą patogiu naudoti siaurose vietose, pavyzdžiui, kamuose.

► **Pav.59**

## Frezos pagrindo naudojimas su slenkamu pagrindu ir rankena

Slenkamą pagrindą (papildomą priedą) taip pat galima naudoti kartu su frezos pagrindu ir rankenos priedu, kad įrankis būtų stabilesnis.

1. Atsukite varžtus ant pagrindo plokštės, tada nuimkite pagrindo plokštę nuo slenkamo pagrindo.

► **Pav.60:** 1. Slenkamo pagrindo plokštė 2. Frezos pagrindo plokštė

2. Pritvirtinkite slenkamą pagrindą plokštę prie frezos pagrindo užverždami varžtus.

3. Pritvirtinkite rankenos priedą ir vamzdžio tipo rankeną ant slenkamo pagrindo užverždami varžtus.

► **Pav.61:** 1. Vamzdžio tipo rankena 2. Rankenos priedas

Rankenėlės tipo rankeną galima išimti iš nuleidžiamo pagrindo ir sumontuoti ant vamzdžio tipo rankenos slenkamo pagrindo.

► **Pav.62:** 1. Varžtas 2. Rankenėlės tipo rankena

## Prietaiso naudojimas su nuleidžiamu pagrindu

Dirbdami rankenas laikykite tvirtai abiem rankomis. Naudokite prietaisą taip pat, kaip ir frezos pagrindą.

## Tiesiojo kreiptuvo naudojimas

### *Pasirenkamasis priedas*

1. Pritvirtinkite tiesųjį kreiptuvą ant kreiptuvo laikiklio priverždami sparnuotąją veržlę. Įstatykite kreiptuvo laikiklį į angas, esančias nuleidžiamame pagrinde, ir užveržkite sparnuotąsias veržles.

► **Pav.63:** 1. Sparnuotasis varžtas 2. Kreiptuvo laikiklis 3. Sparnuotoji veržlė 4. Tiesusis kreiptuvas

2. Atlaisvinkite sparnuotąją veržlę ant tiesiojo kreiptuvo ir pareguliuokite atstumą tarp peilio ir tiesiojo kreiptuvo. Nustatę norimą atstumą, užveržkite sparnuotąją veržlę.

► **Pav.64:** 1. Sparnuotoji veržlė

3. Naudokite prietaisą taip pat, kaip ir tiesųjį kreiptuvą frezos pagrindu.

► **Pav.65**

## Lekalo kreiptuvo naudojimas

### *Pasirenkamasis priedas*

1. Atsukite varžtus ant pagrindo ir juos išimkite. Padėkite lekalo kreiptuvą ant pagrindo ir priveržkite varžtus.

► **Pav.66:** 1. Varžtas 2. Lekalo kreiptuvas

2. Naudokite prietaisą taip pat, kaip ir lekalo kreiptuvą frezos pagrindu.

► **Pav.67**

## Lygiagrečios liniuotės naudojimas

Lygiagreti liniuotė efektyviai naudojama tiesiems pjūviams, išpjaunant išėmas arba griovelius.

Pareguliuokite atstumą tarp antgalio ir tiesiojo kreiptuvo. Nustatę norimą atstumą, užveržkite sparnuotuosius varžtus, kad lygiagreti liniuotė nejudėtų. Pjaudami stumkite įrankį, priglaudę lygiagrečią liniuotę prie ruošinio krašto.

► **Pav.68**

Jeigu atstumas (A) tarp ruošinio šono ir pjovimo padėties yra per didelis lygiagrečia liniuotei arba jeigu ruošinio kraštas netiesus, lygiagrečios liniuotės naudoti negalima.

Tokiu atveju prie ruošinio tvirtai prispauskite tiesią lentą ir naudokite ją kaip kreiptuvą, atrėmę į nuleidžiamą pagrindą. Slinkite prietaisą rodyklės kryptimi.

► **Pav.69**

## Rankenėlės tipo rankenos keitimas vamzdžio tipo rankena

Norėdami sumontuoti vamzdžio tipo rankeną ant nuleidžiamo pagrindo, atlaisvinkite rankenėlės tipo rankenos varžtą, nuimkite rankenėlės tipo rankeną ir uždėkite vamzdžio tipo rankeną, ją užverždami.

► **Pav.70:** 1. Rankenėlės tipo rankena 2. Varžtas 3. Vamzdžio tipo rankena



## TECHNINĖ PRIEŽIŪRA

**▲PERSPĖJIMAS:** Visuomet įsitikinkite, ar įrankis yra išjungtas ir akumuliatoriaus kasetė yra nuimta prieš atlikdami apžiūrą ir priežiūrą.

**PASTABA:** Niekada nenaudokite gazolino, benzino, tirpiklio, spirito arba panašių medžiagų. Gali atsirasti išblukimų, deformacijų arba įtrūkimų.

Kad gaminyt būtų SAUGUS ir PATIKIMAS, jį taisyti, apžiūrėti ar vykdyti bet kokią kitą priežiūrą ar derinimą turi įgaliotasis kompanijos „Makita“ techninės priežiūros centras; reikia naudoti tik kompanijos „Makita“ pagamintą atsarginę dalis.

## PASIRENKAMI PRIEDAI

**▲PERSPĖJIMAS:** Šiuos papildomus priedus arba įtaisus rekomenduojama naudoti su šioje instrukcijoje nurodytu „Makita“ bendrovės įrankiu. Naudojant bet kokius kitus papildomus priedus arba įtaisus, gali kilti pavojus sužeisti žmones. Naudokite tik nurodytam tikslui skirtus papildomus priedus arba įtaisus.

Jeigu norite daugiau sužinoti apie tuos priedus, kreipkitės į artimiausią „Makita“ techninės priežiūros centrą.

- Tiesių pjūvių ir griovelių formavimo peiliai
- Kraštų formavimo peiliai
- Frezos peiliai iš valcuoto metalo
- Tiesiojo kreiptuvo komplektas
- Frezos kreiptuvo komplektas
- Frezos pagrindo komplektas
- Profiliavimo staklių pagrindo komplektas (guminis)
- Pakreipiamo pagrindo komplektas
- Nuleidžiamo pagrindo komplektas
- Slenkamo pagrindo komplektas
- Rankenos priedas
- Lekalo kreiptuvas
- Įvorės kūgis 6 mm
- Įvorės kūgis 6,35 mm (1/4")
- Įvorės kūgis 8 mm
- Įvorės kūgis 9,53 mm (3/8")
- Veržliaraktis 13
- Veržliaraktis 22
- Originalus „Makita“ akumuliatorius ir įkroviklis

**PASTABA:** Kai kurie sąrašė esantys priedai gali būti pateikti įrankio pakuotėje kaip standartiniai priedai. Jie įvairiose šalyse gali skirtis.

## Frezos peiliai

Tiesioji freza

► Pav.71

	D	A	L1	L2
20	6	20	50	15
20E	1/4"			
8	8	8	60	25
8	6		50	18
8E	1/4"			
6	6	6	50	18
6E	1/4"			

Vienetas: mm

„U“ griovelių freza

► Pav.72

	D	A	L1	L2	R
6	6	6	50	18	3
6E	1/4"				

Vienetas: mm

„V“ griovelių freza

► Pav.73

D	A	L1	L2	θ
1/4"	20	50	15	90°

Vienetas: mm

Gražtas-profilavimo freza

► Pav.74

	D	A	L1	L2	L3
8	8	8	60	20	35
6	6	6		18	28
6E	1/4"				

Vienetas: mm

Gražtas-dvigubo profiliavimo freza

► Pav.75

	D	A	L1	L2	L3	L4
8	8	8	80	95	20	25
6	6	6	70	40	12	14
6E	1/4"					

Vienetas: mm

Kampų apvalinimo freza

► Pav.76

	D	A1	A2	L1	L2	L3	R
8R	6	25	9	48	13	5	8
8RE	1/4"						
4R	6	20	8	45	10	4	4
4RE	1/4"						

Vienetas: mm

**Briaunų nuskvelbimo peilis****► Pav.77**

D	A	L1	L2	L3	θ
6	23	46	11	6	30°
6	20	50	13	5	45°
6	20	49	14	2	60°

Vienetas: mm

**Skliauto ornamento pjovimo freza****► Pav.78**

D	A	L1	L2	R
6	20	43	8	4
6	25	48	13	8

Vienetas: mm

**Guolinė profiliavimo freza****► Pav.79**

D	A	L1	L2
6	10	50	20
1/4"			

Vienetas: mm

**Guolinė kampų apvalinimo freza****► Pav.80**

D	A1	A2	L1	L2	L3	R
6	15	8	37	7	3,5	3
6	21		40	10		6
1/4"						

Vienetas: mm

**Guolinė briaunų nuskvelbimo freza****► Pav.81**

D	A1	A2	L1	L2	θ
6	26	8	42	12	45°
1/4"					
6	20		41	11	60°

Vienetas: mm

**Guolinė ornamentų pjovimo freza****► Pav.82**

D	A1	A2	A3	L1	L2	L3	R
6	20	12	8	40	10	5,5	4
6	26			42	12	4,5	7

Vienetas: mm

**Guolinė skliauto ornamento pjovimo freza****► Pav.83**

D	A1	A2	A3	A4	L1	L2	L3	R
6	20	18	12	8	40	10	5,5	3
6	26	22			42	12	5	5

Vienetas: mm

**Guolinis romėniškos „S“ pavidalo kreivės freza****► Pav.84**

D	A1	A2	L1	L2	L3	R1	R2
6	20	8	40	10	4,5	2,5	4,5
6	26		42	12		3	6

Vienetas: mm

## TEHNILISED ANDMED

Mudel:	DRT50
Tsangpadruni suurus	6 mm, 8 mm, 1/4" või 3/8"
Koormuseta kiirus	10 000 - 30 000 min <sup>-1</sup>
Kogupikkus	226 mm
Nimipinge	Alalisvool 18 V
Standardne akukassett	BL1815N / BL1820 / BL1820B / BL1830 / BL1830B / BL1840 / BL1840B / BL1850 / BL1850B / BL1860B
Netokaal	1,8 - 2,1 kg

- Meie pideva uuringu- ja arendusprogrammi tõttu võidakse tehnilisi andmeid muuta ilma sellest ette teatamata.
- Tehnilised andmed ja akukassett võivad riigiti erineda.
- Kaal võib erineda olenevalt lisaseadistest, kaasa arvatud akukassetist. Kergeim ja raskeim kombinatsioon EPTA-protseduuri 01/2014 kohaselt on toodud tabelis.

### Kavandatud kasutus

Tööriist on ettenähtud puidu, plasti ja teiste sarnaste materjalide servamiseks ja profileerimiseks.

### Müra

Tüüpiline A-korrigeeritud müratase, määratud standardi EN60745 kohaselt:

Helirõhutase ( $L_{pA}$ ): 78 dB (A)

Määramatus (K): 3 dB (A)

**⚠ HOIATUS:** Kasutage kõrvakaitsmeid.

### Vibratsioon

Vibratsiooni koguväärtus (kolmeteljeliste vektorite summa) määratud standardi EN60745 kohaselt:

Töörežiim: pöörlemine ilma koormuseta

Vibratsiooniheide ( $a_h$ ): 2,5 m/s<sup>2</sup> või vähem

Määramatus (K): 1,5 m/s<sup>2</sup>

Töörežiim: keskmise tihedusega puitkiudplaatidesse löigete tegemine

Vibratsiooniheide ( $a_h$ ): 4,5 m/s<sup>2</sup>

Määramatus (K): 1,5 m/s<sup>2</sup>

**MÄRKUS:** Deklareeritud vibratsiooniheite väärtus on mõõdetud kooskõlas standardse testimismeetodiga ning seda võib kasutada ühe seadme võrdlemiseks teisega.

**MÄRKUS:** Deklareeritud vibratsiooniheite väärtust võib kasutada ka mürataseme esmaseks hindamiseks.

**⚠ HOIATUS:** Vibratsioonitase võib elektritööriista tegelikkuses kasutamise ajal erineda deklareeritud väärtusest olenevalt tööriista kasutamise viisidest.

**⚠ HOIATUS:** Rakendage operaatori kaitsmiseks kindlasti piisavaid ohutusabinõusid, mis põhinevad hinnangulisel müratasemel tegelikus tööolukorras (võttes arvesse tööperioodi kõiki osasid, nagu näiteks korrad, kui seade lülitatakse välja ja seade töötab tühikäigul, lisaks tööajale).

### EÜ vastavusdeklaratsioon

**Ainult Euroopa riikide puhul**

EÜ vastavusdeklaratsioon sisaldub käesoleva juhendi Lisas A.

## OHUTUSHOIATUSED

### Üldised elektritööriistade ohutushoiatused

**⚠ HOIATUS:** Lugege läbi kõik selle elektritööriistaga kaasas olevad ohutushoiatused, juhised, joonised ja tehnilised andmed. Järgnevate juhiste eiramine võib põhjustada elektrilöögi, süttimise ja/või raske kehavigastuse.

### Hoidke edaspidisteks viideteks alles kõik hoiatused ja juhtnõidid.

Hoiatuses kasutatud termini „elektritööriist“ all peetakse silmas elektriga töötavaid (juhtmega) elektritööriistu või akuga töötavaid (juhtmeta) elektritööriistu.

### Akuga servamismasin ohutusnõuded

1. **Hoidke elektritööriista isoleeritud haardepindadest, sest löikur võib puutuda vastu varjatud juhtmeid.** Voolu all olevasse juhtmessa löikamine võib pingestada elektritööriista metallosasid ning kasutaja võib saada elektrilöögi.
2. **Kasutage detaili kinnitamiseks ja stabiilsele alusele toetamiseks klambreid või mõnda muud sobivat viisi.** Töödeldava detaili hoidmisel käega või selle toetamisel vastu keha on detail ebastabiilses asendis ja detaili üle võib kaduda kontroll.

3. Pikema tööperioodi kestel kandke kuulmiskaitsevahendeid.
  4. Käsitsege servamismasina otsakuid väga ettevaatlikult.
  5. Enne toimingu tegemist kontrollige hoolikalt, et servamismasina otsakul poleks mõrasid ega kahjustusi. Asendage pragunenud või vigastatud otsak viivitamatult.
  6. Vältige naeltesse sisselõikamist. Enne toimingu tegemist kontrollige töödelavat detaili ja eemaldage sellest kõik naelad.
  7. Hoidke tööriistast kindlalt kinni.
  8. Hoidke käed pöörlevatest osadest eemal.
  9. Veenduge, et servamisotsak ei puudutaks töödelavat detaili enne tööriista sisselülitamist.
  10. Enne tööriista kasutamist töödelavat esemel laske sellel mõnda aega koormuseta töötada. Jälgige vibratsiooni või vibamist, mis võib viidata valesti paigaldatud lõikeotsakule.
  11. Olge tähelepanelik servamisotsaku pöörlemis- ja etteandesuuna suhtes.
  12. Ärge jätke tööriista käima. Käivitage tööriist ainult siis, kui hoiate seda käes.
  13. Enne tööriista eemaldamist töödelavat detailist lülitage tööriist alati vooluvõrgust välja ja oodake, kuni servamisotsak on täielikult seiskunud.
  14. Ärge puudutage servamisotsakut vahetult pärast toimingu lõpetamist; see võib olla väga kuum ja põhjustada põletushaavu.
  15. Ärge määrige tööriista põhja hoolimatult lahusti, bensini, õli vms-ga. Need võivad põhjustada tööriista põhja pragunemise.
  16. Kasutage õige saba läbimõõduga servamisotsakuid, mis vastavad tööriista kiirusele.
  17. Mõned materjalid võivad sisaldada mürgiseid aineid. Võtke meetmed tolmu sissehingamise ja nahaga kokkupuute vältimiseks. Järgige materjali tarnija ohutusteavet.
  18. Kasutage alati õiget tolumumaski/respiraatorit, mis vastab materjalile ja rakendusele, millega töötate.
5. Ärge tekitage akukassetis lühist:
    - (1) Ärge puutuge klemme elektrijuhtidega.
    - (2) Ärge hoidke akukasseti tööriistakastis koos metallesemetega, nagu naelad, mündid jne.
    - (3) Ärge tehke akukasseti märjaks ega jätke seda vihma kätte.

Aku lühis võib põhjustada tugevat elektrivoolu, ülekuumenemist, põletusi ning ka seedet tõsiselt kahjustada.

6. Ärge hoidke tööriista ja akukasseti kohtades, kus temperatuur võib tõusta üle 50 °C.
7. Ärge põletage akukasseti isegi siis, kui see on saanud tõsiselt vigastada või on täiesti kulunud. Akukassetit võib tules plahvatada.
8. Olge ettevaatlik, ärge laske aku maha kukkuda ja vältige lööke.
9. Ärge kasutage kahjustatud akut.
10. Sisalduvatele liitium-ioonakudele võivad kohalduda ohtlike kaupade õigusaktide nõuded. Kaubanduslikul transportimisel, näiteks kolmandate poolte või transpordiettevõtete poolt, tuleb järgida pakendil ja siltidel toodud erinõudeid. Transportimiseks ettevalmistamisel on vajalik pidada nõu ohtliku materjali ekspordiga. Samuti tuleb järgida võimalike riiklike regulatsioonide üksikasjalikumaid nõudeid. Katke teibiga või varjake avatud kontaktid ja pakendage aku selliselt, et see ei saaks pakendis liikuda.
11. Järgige kasutusõlbrmatuks muutunud aku käitlemisel kohalikke eeskirju.
12. Kasutage akusid ainult Makita heaks kiidetud toodetega. Akude paigaldamine selleks mitte ettenähtud toodetele võib põhjustada süttimist, ülemäärast kuumust, plahvatamist või elektrolüüdi lekkimist.

## HOIDKE JUHEND ALLES.

**⚠ETTEVAATUST:** Kasutage ainult Makita originaalakusid. Mitte Makita originaalakude või muudetud akude kasutamine võib põhjustada akude süttimise, kehavigastuse ja kahjustuse. Samuti muudab see kehtetuks Makita tööriista ja laadija Makita garantii.

## HOIDKE JUHEND ALLES.

**⚠HOIATUS:** ÄRGE UNUSTAGE järgida toote ohutusnõudeid mugavuse või toote (korduskasutamise saavutatud) hea tundmise tõttu. **VALE KASUTUS** või kasutusjuhendi ohutuseeskirjade eiramine võib põhjustada tervisekahjustusi.

## Akukassetiga seotud olulised ohutusjuhised

1. Enne akukasseti kasutamist lugege (1) akulaadija, (2) aku ja (3) seadmel olevad juhtnõodid ja hoiatused läbi.
2. Ärge võtke akukasseti lahti.
3. Kui tööaeg järsult lüheneb, siis lõpetage kohe kasutamine. Edasise kasutamise tulemuseks võib olla ülekuumenemisoht, võimalikud põletused või isegi plahvatus.
4. Kui elektrolüüti satub silma, siis loputage silma puhta veega ja pöörduge koheselt arsti poole. Selline õnnetus võib põhjustada pimedaksjäämist.

## Vihjeid aku maksimaalse kasutaja tagamise kohta

1. Laadige akukasseti enne selle täielikku tühjenemist. Kui märkate, et tööriist töötab väiksema võimsusega, peatage töö ja laadige akukasseti.
2. Ärge laadige täielikult laetud akukasseti. Ülelaadimine lühendab akude kasutusiga.
3. Laadige akukasseti toatemperatuuril 10 °C - 40 °C. Enne laadimist laske kuumenenud akukassetil maha jahtuda.
4. Kui te ei kasuta akukasseti kauem kui kuus kuud, laadige see.

# FUNKTSIONAALNE KIRJELDUS

**⚠ETTEVAATUST:** Kandke alati hoolt selle eest, et tööriist oleks enne reguleerimist ja kontrollimist välja lülitatud ja akukassett eemaldatud.

## Akukasseti paigaldamine või eemaldamine

**⚠ETTEVAATUST:** Lülitage tööriist alati enne akukasseti paigaldamist või eemaldamist välja.

**⚠ETTEVAATUST:** Akukasseti paigaldamisel või eemaldamisel tuleb tööriista ja akukassetti kindlalt paigal hoida. Kui tööriista ja akukassetti ei hoita kindlalt paigal, võivad need käest libiseda ning kahjustada tööriista ja akukassetti või põhjustada kehavigastusi.

► **Joon.1:** 1. Punane näidik 2. Nupp 3. Akukassett

Akukasseti eemaldamiseks libistage see tööriista küljest lahti, vajutades kasseti esiküljel paiknevat nuppu alla.

Akukasseti paigaldamiseks joondage akukasseti keel korpuse soonega ja libistage kassett oma kohale.

Paigaldage akuaadapter alati nii kaugele, et see lukustuks klõpsatusega oma kohale. Kui näete nupu ülaosas punast osa, pole kassett täielikult lukustunud.

**⚠ETTEVAATUST:** Paigaldage akukassett alati täies ulatuses nii, et punast osa ei jääks näha. Muidu võib adapter juhuslikult tööriistast välja kukkuda ning põhjustada teile või läheduses viibivatele isikutele vigastusi.











**⚠ETTEVAATUST:** Ärge rakendage akukasseti paigaldamisel jõudu. Kui kassett ei lähe kergesti sisse, pole see õigesti paigaldatud.

## Aku jääkmahutavuse näit

**Ainult näidikuga akukassettidele**

► **Joon.2:** 1. Märkulambid 2. Kontrollimise nupp

Akukasseti järelejäänud mahutavuse kontrollimiseks vajutage kontrollimise nuppu. Märkulambid süttivad mõneks sekundiks.

Märkulambid			Jääkmahutavus
			
Pöleb	Ei põle	Vilgub	
			75 - 100%
			50 - 75%
			25 - 50%
			0 - 25%
			Laadige akut.
			Akul võib olla tõrge.
			

**MÄRKUS:** Näidatud mahutavus võib veidi erineda tegelikust mahutavusest olenevalt kasutustingimustest ja ümbritseva keskkonna temperatuurist.

## Tööriista/aku kaitsesüsteem

Tööriist on varustatud tööriista või aku kaitsesüsteemiga. Süsteem lülitab mootori automaatselt välja, et pikendada tööriista ja aku tööiga. Tööriist seiskub käitamise ajal automaatselt, kui tööriista või aku kohta kehtib üks järgmistest tingimustest.

## Ülekoormuskaitse

Kui akut kasutatakse viisil, mis nõuab akust tavatult palju voolu, seiskub tööriist ilma mingi näiduta. Sellises olukorras lülitage tööriist välja ja lõpetage tegevus, mis põhjustas tööriista ülekoormuse. Seejärel lülitage tööriist taaskäivitamiseks uuesti sisse.

## Ülekuumenemiskaitse

Kui tööriist või aku on ülekuumenenud, peatub tööriist automaatselt ja lamp vilgub. Sellisel juhul laske tööriistal ja akul maha jahtuda, enne kui tööriista uuesti sisse lülitate.

## Ülelaadimiskaitse

Kui aku laetuse tase ei ole piisav, seiskub tööriist automaatselt. Sellisel juhul eemaldage aku seadmest ja laadige täis.

## Lüliti funktsioneerimine

Tööriista sisselülitamiseks vajutage lukustus-/avamisnuppu. Tööriist lülitub ooterežiimi. Tööriista käivitamiseks vajutage ooterežiimis start/stop nuppu. Tööriista seiskamiseks vajutage start/stop nuppu uuesti. Tööriist lülitub ooterežiimi. Tööriista väljalülitamiseks vajutage ooterežiimis lukustus-/avamisnuppu.

► **Joon.3:** 1. Lukustus-/avamisnupp 2. Start/stop nupp

**MÄRKUS:** Kui ooterežiimis oleva tööriistaga 10 sekundi jooksul ühtegi toimingut ei tehta, siis lülitub tööriist automaatselt välja ja lamp kustub.

**MÄRKUS:** Tööriista on võimalik seisata ja välja lülitada, kui töötaval seadmel vajutada lukustus-/avamisnuppu.

## Eesmise lambi süütamine

**⚠ETTEVAATUST:** Ärge vaadake otse valgusesse ega valgusallikat.

Lambi sisselülitamiseks vajutage lukustus-/avamisnuppu. Lambi väljalülitamiseks vajutage lukustus-/avamisnuppu uuesti.

**TÄHELEPANU:** Kui tööriist üle kuumeneb, siis hakkab tuli vilkuma. Laske tööriistal enne uuesti kasutamist täielikult maha jahtuda.

**MÄRKUS:** Pühkige lamp kuiva lapiga puhtaks. Olge seda tehes ettevaatlik, et lambi läätse mitte kriimustada, sest muidu võib valgustus väheneda.

## Kiirusregulaator

Tööriista pöörlemiskiirust saab kiirusregulaatorit pöörates muuta. Järgnevas tabelis on toodud regulaatoril asuv number ja sellele vastav pöörlemiskiirus.

► **Joon.4:** 1. Kiirusregulaator

Number	Kiirus
1	10 000 min <sup>-1</sup>
2	15 000 min <sup>-1</sup>
3	20 000 min <sup>-1</sup>
4	25 000 min <sup>-1</sup>
5	30 000 min <sup>-1</sup>

**TÄHELEPANU:** Kui tööriista kasutatakse lakka-  
matult pika aja vältel aeglasel kiirusel, koormab  
see mootori üle ja tööriista töös võivad tekkida  
tõrked.

**TÄHELEPANU:** Muutes kiirusregulaatorit  
asendist „5” asendisse „1”, pöörake regulaatorit  
vastupäeva. Ärge pöörake regulaatorit jõuga  
päripäeva.

## Elektroniline funktsioon

Tööriist on varustatud lihtsama kasutamise jaoks elekt-  
roniliste funktsioonidega.

- Püsikiiruse juhtimine  
Kiiruse juhtimise funktsioon tagab koormusest  
olenemata püsiva pöörlemiskiiruse.
- Sujuvkäivitus  
Sujuvkäivituse funktsioon minimeerib käivita-  
misel tagasilööki ja võimaldab tööriistal sujuvalt  
käivituda.

## Löikesügavuse reguleerimine

Löikesügavuse reguleerimiseks avage lukustushoob  
ja nihutage tööriista alust reguleerkruvi keerates üles  
või alla. Pärast reguleerimist sulgege lukustushoob  
tugevalt.

► **Joon.5:** 1. Lukustushoob 2. Reguleerimiskruvi

**TÄHELEPANU:** Kui tööriist ei ole fikseeritud  
isegi pärast lukustushoova sulgemist, pingutage  
kuuskantmutrit ja sulgege seejärel lukustushoob.

► **Joon.6:** 1. Kuuskantmutter

## Profiilreesimise alusega löikesügavuse muutmise

### Lisatarvik

1. Asetage tööriist tasasele pinnale.
2. Valige stopperit pöörates stopperkruvi.  
► **Joon.7:** 1. Stopperkruvi 2. Stopper
3. Lõdvendage stoppervarda kinnitusmutter ja tõm-  
make seejärel stoppervarrast üles, vajutades samal ajal  
etteandenuppi.  
► **Joon.8:** 1. Stoppervarras 2. Kinnitusmutter  
3. Etteandenupp

4. Vajutage tööriista alla, kuni servamismasina otsak  
puudutab tasast pinda, ja pöörake seejärel tööriista  
kinnitamiseks kinnitushooba.

► **Joon.9:** 1. Kinnitushoob 2. Servamismasina otsak

5. Vajutage stoppervarrast alla, ise samal ajal ettean-  
denuppu vajutades, kuni see puutub vastu stopperkruvi.

► **Joon.10:** 1. Stoppervarras 2. Stopperkruvi  
3. Etteandenupp

6. Lükake sügavusosutit nii, et osuti näitaks skaalal  
„0”.

► **Joon.11:** 1. Sügavusosuti

7. Reguleerige löikesügavust, tõmmates sügavus-  
varrast üles ja vajutades samal ajal etteandenuppi.

► **Joon.12:** 1. Stoppervarras 2. Etteandenupp

8. Löikesügavuse peenreguleerimiseks pöörake  
stoppervardal asuvat skaalat nii, et see näitaks „0”.

► **Joon.13:** 1. Valikuketas

9. Pöörake soovitud sügavuse saavutamiseks stop-  
pervarda pead. Sügavuse suurendamiseks pöörake  
pead vastupäeva. Sügavuse vähendamiseks pöörake  
pead päripäeva.

► **Joon.14:** 1. Stoppervarda pea

10. Pingutage stoppervarda kinnitusmutrit.

► **Joon.15:** 1. Kinnitusmutter

11. Vabastage kinnitushoob.

► **Joon.16:** 1. Kinnitushoob

## KOKKUPANEK

**⚠ETTEVAATUST:** Kandke alati hoolt selle eest,  
et tööriist oleks enne igasuguseid hooldustöid  
välja lülitatud ja akukasset eemaldatud.

## Servamisotsaku paigaldamine või eemaldamine

**TÄHELEPANU:** Ärge pingutage tsangmutrit ilma  
otsakut sisestamata. Tsangkoonus võib puruneda.

Sisestage servamisotsak lõpuni tsangkoonusesse.  
Vajutage võllilukku ja pingutage tsangmutrit mutrivõt-  
mega või pingutage tsangmutrit kahe mutrivõtmega.  
Otsaku eemaldamiseks järgige paigaldamise protse-  
duuri vastupidises järjekorras.

► **Joon.17:** 1. Võllilukk 2. Lõdvendamine  
3. Pingutamine 4. Mutrivõti  
5. Tsangmutter

► **Joon.18:** 1. Mutrivõti 2. Lõdvendamine  
3. Pingutamine 4. Tsangmutter

**MÄRKUS:** Servamisotsaku paigaldamise ajal tsang-  
mutrit pingutades ei pruugi võllilukk algasendisse  
naasta. Võllilukk naaseb algasendisse tööriista  
käivitamisel.

► **Joon.19:** 1. Võllilukk

## Servamismasina aluse paigaldamine või eemaldamine

1. Avage servamismasina aluse lukustushoob ja sisestage tööriist servamismasina alusesse, viies kohakuti tööriistal asuva soone ja servamismasina alusel oleva eendi.

► **Joon.20:** 1. Lukustushoob

**MÄRKUS:** Võite kasutada servamismasina põhjamoodulit (vaik) lisavarustusena, nagu on näidatud joonisel. Kui kasutate servamismasina põhjamoodulit (vaik), vabastage või pingutage lukustushoova avamise või sulgemise asemel tiibmutrit.

► **Joon.21:** 1. Tiibmutter

2. Sulgege lukustushoob.

3. Kinnitage tolmuotsik servamismasina alusele ja pingutage seejärel käsikruvi.

► **Joon.22:** 1. Tolmuotsik 2. Käsikruvi

► **Joon.23**

Aluse eemaldamiseks järgige paigaldamise protseduuri vastupidises järjekorras.

**⚠ETTEVAATUST:** Tööriista koos servamismasina alusega kasutamisel, paigaldage servamismasina alusele kindlasti tolmuotsik.

## Kallutusluse paigaldamine või eemaldamine

### Lisatarvik

1. Avage kallutusluse lukustushoob ja sisestage tööriist kallutuslusesse, viies kohakuti tööriistal asuva soone ja kallutuslusel oleva eendi.

► **Joon.24:** 1. Lukustushoob

2. Sulgege lukustushoob.

Aluse eemaldamiseks järgige paigaldamise protseduuri vastupidises järjekorras.

## Nihutatud otsaku aluse paigaldamine või eemaldamine

### Lisatarvik

1. Vajutage võllilukku ja lõdvendage seejärel tsangmutrit.

► **Joon.25:** 1. Tsangmutter 2. Võllilukk 3. Mutrivõti

2. Eemaldage tsangmutter ja tsangkoonus.

► **Joon.26:** 1. Tsangmutter 2. Tsangkoonus

3. Paigaldage rihmaratas tööriista külge, vajutades võllilukku ja keerates rihmaratta mutrivõtmega kinni.

► **Joon.27:** 1. Mutrivõti 2. Rihmaratas 3. Võllilukk

4. Lõdvendage alusplaadil asuvad kruvid ja eemaldage seejärel alusplaat.

► **Joon.28:** 1. Alusplaat

5. Avage nihutatud otsaku aluse lukustushoob ja sisestage seejärel tööriist nihutatud otsaku alusesse.

► **Joon.29:** 1. Lukustushoob

6. Käsitsi rihma pöörates asetage rihm rihmarattale.

► **Joon.30:** 1. Rihmaratas 2. Rihm

7. Sulgege lukustushoob.

► **Joon.31:** 1. Lukustushoob

8. Kinnitage kruve pingutades alusplaat.

► **Joon.32:** 1. Alusplaat

9. Sisestage tsangkoonus ja servamisotsak nihutatud otsaku alusesse ning pingutage seejärel tsangmutter.

► **Joon.33:** 1. Servamismasina otsak 2. Tsangmutter 3. Tsangkoonus

10. Sisestage kuuskantvõti nihutatud otsaku alusesse ja pingutage seejärel mutrivõtmega tsangmutter.

► **Joon.34:** 1. Tsangmutter 2. Mutrivõti 3. Kuuskantvõti

Aluse eemaldamiseks järgige paigaldamise protseduuri vastupidises järjekorras.

**MÄRKUS:** Rihma on võimalik paigaldada rihmarattale ka ilma alusplaati eemaldamata, nagu on näha joonisel.

► **Joon.35:** 1. Rihmaratas 2. Rihm

## Profiilfreesimise aluse paigaldamine või eemaldamine

### Lisatarvik

1. Avage profiilfreesimise aluse lukustushoob ja sisestage tööriist profiilfreesimise alusesse, viies kohakuti tööriistal asuva soone ja profiilfreesimise alusel oleva eendi.

► **Joon.36:** 1. Lukustushoob

2. Sulgege lukustushoob.

Aluse eemaldamiseks järgige paigaldamise protseduuri vastupidises järjekorras.

## Rööpjoonlause profiilfreesimise alusele paigaldamine ja sealt eemaldamine

### Lisatarvik

Sisestage juhtlatid profiilfreesimise aluses olevatesse avadesse ja pingutage seejärel tiibpoldid. Joonlause eemaldamiseks järgige paigaldamise protseduuri vastupidises järjekorras.

► **Joon.37:** 1. Tiibpolt 2. Juhtlatt

## Tolmuotsiku profiilfreesimise alusele paigaldamine ja sealt eemaldamine

Sisestage tolmuotsik profiilfreesimise alusesse nii, et tolmuotsiku eend sobiks profiilfreesimise aluse sälguga ja pingutage tolmaotsiku käsikruvi. Otsaku eemaldamiseks järgige paigaldamise protseduuri vastupidises järjekorras.

► **Joon.38:** 1. Eend 2. Tolmuotsik 3. Käsikruvi

► **Joon.39**

# TÖÖRIISTA KASUTAMINE

## Tööriista kasutamine koos servamismasina alusega

Asetage tööriista alus töödeldavale detailile, ilma et servamismasina otsak detaili vastu puutuks. Lülitage tööriist sisse ja oodake, kuni otsak saavutab täiskiruse. Liigutage tööriista edasisuunas üle töödeldava eseme pinna. Hoidke tööriista alus tööriista liigutamise ajal ühetasasel.

Serva lõikamise ajal hoidke töödeldava eseme pind kindlasti liikumissuunas servamismasina otsaku vasaikul küljel.

► **Joon.40**

**MÄRKUS:** Enne tegelikult töödeldava eseme lõikamist on soovitatav teha proovilõikamine. Õige liikumiskiirus sõltub servamismasina otsaku suurusel, töödeldavast materjalist ja lõikesügavusest. Kui tööriista nihutatakse edasi liiga kiiresti, võib see põhjustada lõike halva kvaliteedi või kahjustada otsakut või mootorit. Kui tööriista liigutatakse edasi liiga aeglaselt, võib see lõikekohta kõrvetada ja kahjustada.

Servamistalla, sirgjuhuks või servamisjuhuks kasutamisel hoidke seda etteandesuunas paremal pool. Sel juhul on lihtsam juhikut töödeldava pinna servaga kohakuti hoida.

► **Joon.41:** 1. Servamismasina otsak 2. Töödeldav detail 3. Sirgjuhuks

**TÄHELEPANU:** Kuna liiga sügav lõikamine võib mootori üle koormata või raskendada tööriista valitsemist, ei tohiks lõikesügavus soonte lõikamisel olla korraga suurem kui 3 mm. Kui soovite lõigata sügavamaid sooni kui 3 mm, tehke järjest suureneva lõikesügavusega mitu lõiget.

## Sirgjuhuks kasutamine

### Lisatarvik

1. Pange kokku sirgjuhuks koos poldi ja tiibmutriga.

► **Joon.42:** 1. Pold 2. Tiibmutter

2. Kinnitage sirgjuhuks pitskrui abil servamismasina aluse külge.

► **Joon.43:** 1. Pitskrui

3. Lõdvendage sirgjuhuksil olevat tiibmutrit ja reguleerige otsaku ning sirgjuhuks vahemaad. Soovitud vahemaa saavutamisel pingutage tiibmutrit.

► **Joon.44:** 1. Tiibmutter

4. Liigutage tööriista nii, et sirgjuhuks oleks töödeldava detaili servaga ühel joonel.

► **Joon.45**

Kui töödeldava detaili külje ja lõikeasendi vahemaa (A) on sirgjuhuks jaoks liiga lai või kui töödeldava detaili serv pole sirge, ei saa sirgjuhuks kasutada.

Sellisel juhul kinnitage töödeldava detaili külge sirge laud ja kasutage seda servamismasina aluse vastas juhikuna. Juhtige tööriista noole suunas.

► **Joon.46**

## Sirgjuhuks kasutamine ringlõigetega tegemiseks

Ringlõigetega tegemiseks pange sirgjuhuks kokku joonistel näidatud viisil. Lõigatavate ringide minimaalne ja maksimaalne raadius (ringi keskpunkti ning otsaku keskpunkti vahekaugus) on järgmine:

- Minimaalne: 70 mm
- Maksimaalne: 221 mm

**70 mm ja 121 mm raadiusega ringide lõikamine.**

► **Joon.47:** 1. Keskava

**121 mm ja 221 mm raadiusega ringide lõikamine.**

► **Joon.48:** 1. Keskava

**MÄRKUS:** 172 mm ja 186 mm raadiusega ringe ei saa selle juhuks abil lõigata.

Seadke sirgjuhuks keskel olev ava lõigatava ringi keskpunkti kohale. Lõige sirgjuhuks fikseerimiseks keskel olevasse avasse alla 6 mm läbimõõduga nael. Liikuge tööriistaga päripäeva ümber naela.

► **Joon.49:** 1. Nael 2. Keskava

## Šabloonjuhuks kasutamine

### Lisatarvik

Šabloonjuhuks võimaldab lõigata šabloonide abil karduvaid lõikeid.

1. Lõdvendage alusplaadil asuvad kruvid ja eemaldage seejärel servamismasina aluselt alusplaat.

2. Asetage šabloonjuhuks alusele ja kinnitage kruvisid pingutades alusplaat.

► **Joon.50:** 1. Alusplaat 2. Šabloonjuhuks

3. Asetage tööriist šabloonile ja liigutage tööriista edasi nii, et šabloonjuhuks libiseks piki šablooni serva.

► **Joon.51**

**MÄRKUS:** Tegelik lõikesuurus töödeldaval esemel on šablooniga võrreldes natukene erinev. Erinevuse suurus on servamismasina otsaku ja šabloonjuhuks väliskülje vahele jääv vahemaa (X). Vahemaa (X) arvutamiseks saab kasutada järgmist valemit:

Vahemaa (X) = (šabloonjuhuks välisläbimõõt – servamismasina otsaku läbimõõt) / 2

► **Joon.52:** 1. Servamismasina otsak 2. Šabloonjuhuks 3. Vahemaa (X) 4. Šabloonjuhuks välisläbimõõt

## Servamisjuhuks kasutamine

### Lisatarvik

Servamisjuhuks võimaldab servata kõverat külge, näiteks mööblispoonil, liigutades juhrullikut piki töödeldava eseme külge.

► **Joon.53**

1. Lõdvendage pitskrui, paigaldage servamisjuhuks servamismasina alusele ja pingutage seejärel pitskrui.

► **Joon.54:** 1. Pitskrui



2. Lõdvendage pitskruvi ning reguleerige servamismasina otsaku ja -juhiku vahekaugust, keerates reguleerkruvi (1 mm pöörde kohta). Soovitud kaugusel pingutage pitskruvi servamisjuhiku fikseerimiseks.

► **Joon.55:** 1. Reguleerimiskruvi 2. Pitskruvi

3. Liigutage tööriista nii, et juhrullik liiguks mööda töödeldava detaili serva.

► **Joon.56:** 1. Töödeldav detail 2. Otsak 3. Juhtrullik

## Tööriista kasutamine koos kallutuslusega

Kallutusluse on käepärane faasimisel. Lõdvendage tiibpoldid, kallutage seejärel tööriist soovitud nurga alla ja pingutage tiibpoldid uuesti.

Kinnitage töödeldava detaili külge tugevasti sirge laud ja kasutage seda kallutusluse vastas juhikuna. Juhtige tööriista noole suunas.

► **Joon.57:** 1. Tiibpolt

## Kallutusluse plaadi kasutamine koos servamismasina alusega

Servamismasina aluse kasutamiseks koos nelinurkse alusplaadiga, eemaldage alusplaat kallutuslusest ja kinnitage servamismasina aluse külge.

► **Joon.58:** 1. Kallutusluse plaat 2. Servamismasina alusplaat

## Tööriista kasutamine koos nihutatud otsaku alusega

Nihutatud otsaku alus sobib töödeks, mida teostatakse kitsas piirkonnas, näiteks nurgas.

► **Joon.59**

## Servamismasina aluse kasutamine koos nihutatud otsaku alusplaadi ja käepidemega

Nihutatud otsaku alust võib parema stabiilsuse saavutamiseks kasutada ka koos servamismasina aluse ja käepideme kinnitusega (lisavarustus).

1. Lõdvendage alusplaadil asuvad kruvid ja eemaldage seejärel nihutatud otsaku aluselt alusplaat.

► **Joon.60:** 1. Nihutatud otsaku alusplaat  
2. Servamismasina alusplaat

2. Kinnitage kruvisid pingutades nihutatud otsaku alusplaat servamismasina alusele.

3. Kinnitage käepideme kinnitus ja kangtüüpi käepide kruvisid pingutades nihutatud otsaku alusplaadi külge.

► **Joon.61:** 1. Kangtüüpi käepide 2. Käepideme kinnitus

Kangtüüpi käepideme asemele saab nihutatud otsaku alusele paigaldada profiilreesimise alusel eemaldatud nupptüüpi käepideme.

► **Joon.62:** 1. Kruvi 2. Nupptüüpi käepide

## Tööriista kasutamine koos profiilreesimise alusega

Hoidke töötamise ajal alati käepidemetest tugevalt kinni. Kasutage tööriista sama moodi nagu servamismasina alusega.

## Sirgjuhiku kasutamine

### Lisatarvik

1. Paigaldage sirgjuhik tiibmutrit pingutades juhi-kuhoidikusse. Sisestage juhikuhoioidik profiilreesimise aluses olevatesse avadesse ja pingutage seejärel tiibpoldid.

► **Joon.63:** 1. Tiibpolt 2. Juhikuhoioidik 3. Tiibmutter 4. Sirgjuhik

2. Lõdvendage sirgjuhikul olevat tiibmutrit ja reguleerige otsaku ning sirgjuhiku vahemaad. Soovitud vahemaa saavutamisel pingutage tiibmutrit.

► **Joon.64:** 1. Tiibmutter

3. Kasutage tööriista sama moodi nagu servamismasina aluse sirgjuhikut.

► **Joon.65**

## Šabloonjuhiku kasutamine

### Lisatarvik

1. Lõdvendage alusel asuvad kruvid ja eemaldage need. Asetage šabloonjuhik alusele ja pingutage seejärel kruvid.

► **Joon.66:** 1. Kruvi 2. Šabloonjuhik

2. Kasutage tööriista sama moodi nagu servamismasina aluse šabloonjuhikut.

► **Joon.67**

## Rööpjoonlaua kasutamine

Rööpjoonlauda kasutatakse faasimisel või soonte lõikamisel sirge lõike saamiseks. Reguleerige vahemaa otsaku ja rööpjoonlaua vahel. Soovitud vahemaa saavutamisel pingutage rööpjoonlaua fikseerimiseks tiibpolt. Lõikamisel liigutage tööriista nii, et rööpjoonlaud oleks töödeldava detaili servaga ühel joonel.

► **Joon.68**

Kui töödeldava detaili külge ja lõikeasendi vahemaa (A) on rööpjoonlaua jaoks liiga lai või kui töödeldava detaili serv pole sirge, ei saa rööpjoonlauda kasutada.

Sellisel juhul kinnitage töödeldava detaili külge sirge laud ja kasutage seda profiilreesimise aluse vastas juhikuna. Juhtige tööriista noole suunas.

► **Joon.69**

## Nupptüüpi käepideme vahetamine kangtüüpi käepideme vastu

Kangtüüpi käepideme profiilreesimise alusele paigaldamiseks lõdvendage nupptüüpi käepide, eemaldage seejärel nupptüüpi käepide ja paigaldage kangtüüpi käepide, pingutades selle kinni.

► **Joon.70:** 1. Nupptüüpi käepide 2. Kruvi 3. Kangtüüpi käepide

## HOOLDUS

**⚠ETTEVAATUST:** Enne kontroll- või hooldustöimingute tegemist kandke alati hoolt selle eest, et tööriist oleks välja lülitatud ja akukassett kor-puse küljest eemaldatud.

**TÄHELEPANU:** Ärge kunagi kasutage bensiini, vedeldit, alkoholi ega midagi muud sarnast. Selle tulemuseks võib olla luitumine, deformatsioon või pragunemine.

Toote OHUTUSE ja TÖÖKINDLUSE tagamiseks tuleb vajalikud remonttööd ning muud hooldus- ja reguleerimistööd lasta teha Makita volitatud teeninduskeskustes või tehase teeninduskeskustes. Alati tuleb kasutada Makita varuosi.

## VALIKULISED TARVIKUD

**⚠ETTEVAATUST:** Neid tarvikuid ja liseseadi-seid on soovitatav kasutada koos Makita tööriis-taga, mille kasutamist selles kasutusjuhendis kirjeldatakse. Muude tarvikute ja liseseadiste kasu-tamisega kaasneb vigastada saamise oht. Kasutage tarvikuid ja liseseadiseid ainult otstarbekohaselt.

Saate vajaduse korral kohalikust Makita teeninduskes-kusest lisateavet nende tarvikute kohta.

- Sirg- ja rihvamisotsakud
- Ääreotsakud
- Laminaadiservamisotsakud
- Sirgjuhiku moodul
- Servamisjuhiku moodul
- Servamismasina põhjamooodul
- Servamismasina põhjamooodul (vaik)
- Kallutusalus moodul
- Profiilfreesimise aluse moodul
- Nihutatud otsaku aluse moodul
- Käepideme kinnitus
- Šabloonjuhik
- Tsangkoonus 6 mm
- Tsangkoonus 6,35 mm (1/4")
- Tsangkoonus 8 mm
- Tsangkoonus 9,53 mm (3/8")
- Mutrivõti 13
- Mutrivõti 22
- Makita algupärane aku ja laadija

**MÄRKUS:** Mõned nimekirjas loetletud tarvikud või-vad kuuluda standardvarustusse ning need on lisatud tööriista pakendisse. Need võivad riigiti erineda.

## Servamismasina otsakud

### Sirgotsak

#### ► Joon.71

	D	A	L1	L2
20	6	20	50	15
20E	1/4"			
8	8	8	60	25
8	6		50	18
8E	1/4"			
6	6	6	50	18
6E	1/4"			

Ühik: mm

### „U” soone lõikamise otsak

#### ► Joon.72

	D	A	L1	L2	R
6	6	6	50	18	3
6E	1/4"				

Ühik: mm

### „V” soone lõikamise otsak

#### ► Joon.73

D	A	L1	L2	θ
1/4"	20	50	15	90°

Ühik: mm

### Puuriteravikuga tasaservamisotsak

#### ► Joon.74

	D	A	L1	L2	L3
8	8	8	60	20	35
6	6	6		18	28
6E	1/4"				

Ühik: mm

### Puuriteravikuga kahekordne tasaservamisotsak

#### ► Joon.75

	D	A	L1	L2	L3	L4
8	8	8	80	95	20	25
6	6	6	70	40	12	14
6E	1/4"					

Ühik: mm

### Nurgaümmardusotsak

#### ► Joon.76

	D	A1	A2	L1	L2	L3	R
8R	6	25	9	48	13	5	8
8RE	1/4"						
4R	6	20	8	45	10	4	4
4RE	1/4"						

Ühik: mm

**Faasimisotsak****► Joon.77**

D	A	L1	L2	L3	θ
6	23	46	11	6	30°
6	20	50	13	5	45°
6	20	49	14	2	60°

Ühik: mm

**Nõgusfreesimisotsak****► Joon.78**

D	A	L1	L2	R
6	20	43	8	4
6	25	48	13	8

Ühik: mm

**Kuullaagritega tasaservamisotsak****► Joon.79**

D	A	L1	L2
6	10	50	20
1/4"			

Ühik: mm

**Kuullaagritega nurgaümardusotsak****► Joon.80**

D	A1	A2	L1	L2	L3	R
6	15	8	37	7	3,5	3
6	21		40	10		6
1/4"						

Ühik: mm

**Kuullaagritega faasimisotsak****► Joon.81**

D	A1	A2	L1	L2	θ
6	26	8	42	12	45°
1/4"					
6	20		41	11	60°

Ühik: mm

**Kuullaagritega ribitamisosak****► Joon.82**

D	A1	A2	A3	L1	L2	L3	R
6	20	12	8	40	10	5,5	4
6	26			42	12	4,5	7

Ühik: mm

**Kuullaagritega nõgusprofiili ribitamisosak****► Joon.83**

D	A1	A2	A3	A4	L1	L2	L3	R
6	20	18	12	8	40	10	5,5	3
6	26				22	42	12	5

Ühik: mm

**Kuullaagritega rooma tüüpi S-profiili otsak****► Joon.84**

D	A1	A2	L1	L2	L3	R1	R2
6	20	8	40	10	4,5	2,5	4,5
6	26		42	12		3	6

Ühik: mm

## ТЕХНИЧЕСКИЕ ХАРАКТЕРИСТИКИ

Модель:	DRТ50
Размер цангового патрона	6 мм, 8 мм, 1/4 дюйма, или 3/8 дюйма
Число оборотов без нагрузки	10 000 - 30 000 мин <sup>-1</sup>
Общая длина	226 мм
Номинальное напряжение	18 В пост. тока
Стандартный блок аккумулятора	BL1815N / BL1820 / BL1820B / BL1830 / BL1830B / BL1840 / BL1840B / BL1850 / BL1850B / BL1860B
Масса нетто	1,8 - 2,1 кг

- Благодаря нашей постоянно действующей программе исследований и разработок указанные здесь технические характеристики могут быть изменены без предварительного уведомления.
- Технические характеристики и аккумуляторный блок могут отличаться в зависимости от страны.
- Масса может отличаться в зависимости от дополнительного оборудования. Обратите внимание, что блок аккумулятора также считается дополнительным оборудованием. В таблице представлены комбинации с наибольшим и наименьшим весом в соответствии с процедурой ЕРТА 01/2014.

### Назначение

Данный инструмент предназначен для зачистки заплотило и профилирования дерева, пластмассы и подобных материалов.

### Шум

Типичный уровень взвешенного звукового давления (А), измеренный в соответствии с EN60745:  
Уровень звукового давления (L<sub>РА</sub>): 78 дБ (А)  
Погрешность (К): 3 дБ (А)

**⚠ ОСТОРОЖНО:** Используйте средства защиты слуха.

### Вибрация

Суммарное значение вибрации (сумма векторов по трем осям), определенное в соответствии с EN60745:  
Рабочий режим: вращение без нагрузки  
Распространение вибрации (a<sub>н</sub>): 2,5 м/с<sup>2</sup> или менее  
Погрешность (К): 1,5 м/с<sup>2</sup>  
Рабочий режим: резка пазов в МДФ  
Распространение вибрации (a<sub>н</sub>): 4,5 м/с<sup>2</sup>  
Погрешность (К): 1,5 м/с<sup>2</sup>

**ПРИМЕЧАНИЕ:** Заявленное значение распространения вибрации измерено в соответствии со стандартной методикой испытаний и может быть использовано для сравнения инструментов.

**ПРИМЕЧАНИЕ:** Заявленное значение распространения вибрации можно также использовать для предварительных оценок воздействия.

**⚠ ОСТОРОЖНО:** Распространение вибрации во время фактического использования электроинструмента может отличаться от заявленного значения в зависимости от способа применения инструмента.

**⚠ ОСТОРОЖНО:** Обязательно определите меры безопасности для защиты оператора, основанные на оценке воздействия в реальных условиях использования (с учетом всех этапов рабочего цикла, таких как выключение инструмента, работа без нагрузки и включение).

### Декларация о соответствии ЕС

*Только для европейских стран*

Декларация о соответствии ЕС включена в руководство по эксплуатации (Приложение А).

## МЕРЫ БЕЗОПАСНОСТИ

### Общие рекомендации по технике безопасности для электроинструментов

**⚠ ОСТОРОЖНО:** Ознакомьтесь со всеми представленными инструкциями по технике безопасности, указаниями, иллюстрациями и техническими характеристиками, прилагаемыми к данному электроинструменту. Несоблюдение каких-либо инструкций, указанных ниже, может привести к поражению электрическим током, пожару и/или серьезной травме.

### Сохраните брошюру с инструкциями и рекомендациями для дальнейшего использования.

Термин "электроинструмент" в предупреждениях относится ко всему инструменту, работающему от сети (с проводом) или на аккумуляторах (без провода).

## Правила техники безопасности при эксплуатации аккумуляторный триммер

1. Держите электроинструмент за специально предназначенные изолированные поверхности, так как при выполнении работ существует риск контакта режущего инструмента со скрытой электропроводкой. Контакт с проводом под напряжением приведет к тому, что металлические детали инструмента также будут под напряжением, что может стать причиной поражения оператора электрическим током.
2. Для фиксации разрезаемой детали на устойчивой поверхности используйте зажимы или другие соответствующие приспособления. Никогда не держите распиливаемые детали в руках и не прижимайте их к телу, так как это не обеспечит устойчивого положения детали и может привести к потере контроля над инструментом.
3. В случае длительной эксплуатации инструмента используйте средства защиты слуха.
4. Аккуратно обращайтесь с фрезой для триммера.
5. Перед эксплуатацией тщательно осмотрите фрезу для триммера и убедитесь в отсутствии трещин или повреждений. Немедленно замените треснувшую или поврежденную фрезу.
6. Избегайте попадания режущего инструмента на гвозди. Перед выполнением работ осмотрите деталь и удалите из нее все гвозди.
7. Крепко держите инструмент.
8. Руки должны находиться на расстоянии от вращающихся деталей.
9. Перед включением выключателя убедитесь, что фреза для триммера не касается детали.
10. Перед использованием инструмента на реальной детали дайте ему немного поработать вхолостую. Убедитесь в отсутствии вибрации или биения, которые могут свидетельствовать о неправильной установке фрезы.
11. Помните о направлении вращения фрезы для триммера и направлении ее подачи.
12. Не оставляйте работающий инструмент без присмотра. Включайте инструмент только тогда, когда он находится в руках.
13. Перед извлечением инструмента из детали всегда выключайте его и ждите, пока фреза полностью остановится.
14. Сразу после окончания работ не прикасайтесь к фрезе. Она может быть очень горячей, что приведет к ожогам кожи.
15. Не выполняйте очистку основания инструмента растворителями, бензином или схожими веществами. Они могут привести к растрескиванию основания инструмента.
16. Используйте фрезы для триммера, диаметр хвостовика которых соответствует скорости инструмента.

17. Некоторые материалы могут содержать токсичные химические вещества. Примите соответствующие меры предосторожности, чтобы избежать вдыхания или контакта с кожей таких веществ. Соблюдайте требования, указанные в паспорте безопасности материала.
18. Обязательно используйте соответствующую пылезащитную маску/респиратор для защиты дыхательных путей от пыли разрезаемых материалов.

## СОХРАНИТЕ ДАННЫЕ ИНСТРУКЦИИ.

**▲ОСТОРОЖНО:** НЕ ДОПУСКАЙТЕ, чтобы удобство или опыт эксплуатации данного устройства (полученный от многократного использования) доминировали над строгим соблюдением правил техники безопасности при обращении с этим устройством. НЕПРАВИЛЬНОЕ ИСПОЛЬЗОВАНИЕ инструмента или несоблюдение правил техники безопасности, указанных в данном руководстве, может привести к тяжелой травме.

## Важные правила техники безопасности для работы с аккумуляторным блоком

1. Перед использованием аккумуляторного блока прочитайте все инструкции и предупреждающие надписи на (1) зарядном устройстве, (2) аккумуляторном блоке и (3) инструменте, работающем от аккумуляторного блока.
2. Не разбирайте аккумуляторный блок.
3. Если время работы аккумуляторного блока значительно сократилось, немедленно прекратите работу. В противном случае, может возникнуть перегрев блока, что приведет к ожогам и даже к взрыву.
4. В случае попадания электролита в глаза промойте их обильным количеством чистой воды и немедленно обратитесь к врачу. Это может привести к потере зрения.
5. Не замыкайте контакты аккумуляторного блока между собой:
  - (1) Не прикасайтесь к контактам какими-либо токопроводящими предметами.
  - (2) Не храните аккумуляторный блок в контейнере вместе с другими металлическими предметами, такими как гвозди, монеты и т. п.
  - (3) Не допускайте попадания на аккумуляторный блок воды или дождя.Замыкание контактов аккумуляторного блока между собой может привести к возникновению большого тока, перегреву, возможному ожогу и даже поломке блока.
6. Не храните инструмент и аккумуляторный блок в местах, где температура может достигать или превышать 50 °C (122 °F).

7. Не бросайте аккумуляторный блок в огонь, даже если он сильно поврежден или полностью вышел из строя. Аккумуляторный блок может взорваться под действием огня.
8. Не роняйте и не ударяйте аккумуляторный блок.
9. Не используйте поврежденный аккумуляторный блок.
10. Входящие в комплект литий-ионные аккумуляторы должны эксплуатироваться в соответствии с требованиями законодательства об опасных товарах.

При коммерческой транспортировке, например, третьей стороной или экспедитором, необходимо нанести на упаковку специальные предупреждения и маркировку.

В процессе подготовки устройства к отправке обязательно проконсультируйтесь со специалистом по опасным материалам. Также соблюдайте местные требования и нормы. Они могут быть строже.

Закройте или закрепите разомкнутые контакты и упакуйте аккумулятор так, чтобы он не перемещался по упаковке.

11. Выполняйте требования местного законодательства относительно утилизации аккумуляторного блока.
12. Используйте аккумуляторы только с продукцией, указанной Makita. Установка аккумуляторов на продукцию, не соответствующую требованиям, может привести к пожару, перегреву, взрыву или утечке электролита.

## СОХРАНИТЕ ДАННЫЕ ИНСТРУКЦИИ.

**ВНИМАНИЕ:** Используйте только фирменные аккумуляторные батареи Makita. Использование аккумуляторных батарей, не произведенных Makita, или батарей, которые были подвергнуты модификациям, может привести к взрыву аккумулятора, пожару, травмам и повреждению имущества. Это также автоматически аннулирует гарантию Makita на инструмент и зарядное устройство Makita.

## Советы по обеспечению максимального срока службы аккумулятора

1. Заряжайте блок аккумуляторов перед его полной разрядкой. Обязательно прекратите работу с инструментом и зарядите блок аккумуляторов, если вы заметили снижение мощности инструмента.
2. Никогда не подзаряжайте полностью заряженный блок аккумуляторов. Перезарядка сокращает срок службы аккумулятора.
3. Заряжайте блок аккумуляторов при комнатной температуре в 10 - 40 °C (50 - 104 °F). Перед зарядкой горячего блока аккумуляторов дайте ему остыть.
4. Зарядите ионно-литиевый аккумуляторный блок, если вы не будете пользоваться инструментом длительное время (более шести месяцев).

## ОПИСАНИЕ РАБОТЫ

**ВНИМАНИЕ:** Перед регулировкой или проверкой функций инструмента обязательно убедитесь, что он выключен и его аккумуляторный блок снят.

## Установка или снятие блока аккумуляторов

**ВНИМАНИЕ:** Обязательно выключайте инструмент перед установкой и извлечением аккумуляторного блока.

**ВНИМАНИЕ:** При установке и извлечении аккумуляторного блока крепко удерживайте инструмент и аккумуляторный блок. Если не соблюдать это требование, они могут выскользнуть из рук, что приведет к повреждению инструмента, аккумуляторного блока и травмированию оператора.

► **Рис.1:** 1. Красный индикатор 2. Кнопка 3. Блок аккумулятора

Для снятия аккумуляторного блока нажмите кнопку на лицевой стороне и извлеките блок.

Для установки аккумуляторного блока совместите выступ аккумуляторного блока с пазом в корпусе и задвиньте его на место. Устанавливайте блок до упора так, чтобы он зафиксировался на месте с небольшим щелчком. Если вы можете видеть красный индикатор на верхней части клавиши, адаптер аккумулятора не полностью установлен на месте.

**ВНИМАНИЕ:** Обязательно устанавливайте аккумуляторный блок до конца, чтобы красный индикатор не был виден. В противном случае аккумуляторный блок может выпасть из инструмента и нанести травму вам или другим людям.

**ВНИМАНИЕ:** Не прилагайте чрезмерных усилий при установке аккумуляторного блока. Если блок не двигается свободно, значит он вставлен неправильно.

## Индикация оставшегося заряда аккумулятора

*Только для блоков аккумулятора с индикатором*

► **Рис.2:** 1. Индикаторы 2. Кнопка проверки

Нажмите кнопку проверки на аккумуляторном блоке для проверки заряда. Индикаторы загорятся на несколько секунд.

Индикаторы			Уровень заряда
Горит	Выкл.	Мигает	
■	□	▧	от 75 до 100%
■ ■ ■ ■	□	□	от 50 до 75%
■ ■	□ □	□	от 25 до 50%
■	□ □ □	□	от 0 до 25%
▧	□ □ □	□	Зарядите аккумуляторную батарею.
■ ■ □ □	□ □	■ ■	Возможно, аккумуляторная батарея неисправна.

**ПРИМЕЧАНИЕ:** В зависимости от условий эксплуатации и температуры окружающего воздуха индикация может незначительно отличаться от фактического значения.

## Система защиты инструмента/аккумулятора

На инструменте предусмотрена система защиты инструмента/аккумулятора. Она автоматически отключает питание двигателя для продления срока службы инструмента и аккумулятора. Инструмент автоматически остановится во время работы в следующих случаях:

### Защита от перегрузки

Если из-за способа эксплуатации аккумулятора потребляет очень большое количество тока, он автоматически остановится без включения каких-либо индикаторов. В этом случае выключите инструмент и прекратите работу, повлекшую перегрузку инструмента. Затем включите инструмент для перезапуска.

### Защита от перегрева

При перегреве инструмента или аккумулятора инструмент автоматически останавливается, подсветка начинает мигать. В этом случае дайте инструменту/аккумулятору остыть перед повторным включением.

### Защита от переразрядки

При истощении емкости аккумулятора инструмент автоматически останавливается. В этом случае извлеките аккумулятор из инструмента и зарядите его.

## Действие выключателя

Чтобы включить инструмент, нажмите кнопку блокировки/разблокировки. Инструмент переходит в режим ожидания. Чтобы запустить инструмент, нажмите кнопку пуска/останова инструмента в режиме ожидания. Для остановки работы инструмента снова нажмите кнопку пуска/останова. Инструмент переходит в режим ожидания. Чтобы выключить инструмент, нажмите кнопку блокировки/разблокировки в режиме ожидания.

- **Рис.3:** 1. Кнопка блокировки/разблокировки  
2. Кнопка пуска/останова

**ПРИМЕЧАНИЕ:** Если инструмент находится в режиме ожидания более 10 секунд, он автоматически выключится, а лампа погаснет.

**ПРИМЕЧАНИЕ:** Вы также можете остановить и отключить инструмент, нажав кнопку блокировки/разблокировки в процессе работы.

## Включение передней лампы

**ВНИМАНИЕ:** Не смотрите непосредственно на свет или источник света.

Чтобы включить лампу, нажмите кнопку блокировки/разблокировки. Чтобы выключить лампу, нажмите кнопку блокировки/разблокировки еще раз.

**ПРИМЕЧАНИЕ:** При перегреве инструмента лампа начинает мигать. Прежде чем возобновить работу, убедитесь, что инструмент полностью остыл.

**ПРИМЕЧАНИЕ:** Для удаления пыли с линзы лампы используйте сухую ткань. Не допускайте возникновения царапин на линзе лампы, так как это приведет к снижению освещенности.

## Поворотный регулятор скорости

Скорость вращения инструмента можно настраивать, поворачивая регулятор скорости. В таблице ниже приведены порядковые номера регулировок и соответствующая им скорость вращения.

- **Рис.4:** 1. Поворотный регулятор скорости

Цифра	Скорость
1	10 000 мин <sup>-1</sup>
2	15 000 мин <sup>-1</sup>
3	20 000 мин <sup>-1</sup>
4	25 000 мин <sup>-1</sup>
5	30 000 мин <sup>-1</sup>

**ПРИМЕЧАНИЕ:** Если инструментом пользоваться непрерывно на низкой скорости в течение продолжительного времени, двигатель будет перегружен, что приведет к поломке инструмента.

**ПРИМЕЧАНИЕ:** Меняя настройку скорости инструмента со значения "5" на "1", поворачивайте регулятор скорости против часовой стрелки. Не прилагайте силу, чтобы повернуть регулятор скорости по часовой стрелке.



## Электронная функция

Для простоты эксплуатации инструмент оснащен электронными функциями.

- Постоянный контроль скорости  
Функция контроля скорости обеспечивает неизменное число оборотов независимо от нагрузки.
- Плавный запуск  
Функция плавного запуска уменьшает пусковой удар и смягчает запуск инструмента.

## Регулировка глубины резки

Для настройки глубины резки ослабьте стопорный рычаг и переместите основание инструмента вверх или вниз, для чего поверните регулировочный винт. После регулировки надежно затяните стопорный рычаг.

- **Рис.5:** 1. Стопорный рычаг 2. Регулировочный винт

**ПРИМЕЧАНИЕ:** Если инструмент не закреплен даже после затягивания стопорного рычага, затяните шестигранную гайку, а затем стопорный рычаг.

- **Рис.6:** 1. Шестигранная гайка

## Регулировка глубины резки инструмента с основанием для погружного фрезерования

*Дополнительные принадлежности*

1. Установите инструмент на плоскую поверхность.
2. Выберите стопорный винт, повернув стопорное основание.

- **Рис.7:** 1. Стопорный винт 2. Стопорное основание

3. Ослабьте фиксирующую гайку стопорной опоры, затем потяните вверх стопорную опору, нажимая при этом на кнопку управления подачей.

- **Рис.8:** 1. Стопорная опора 2. Фиксирующая гайка 3. Кнопка управления подачей

4. Надавливайте на инструмент, пока наконечник фрезы для фрезера не соприкоснется с ровной поверхностью. Затем поверните фиксирующий рычаг, чтобы закрепить инструмент.

- **Рис.9:** 1. Фиксирующий рычаг 2. Фреза для фрезера

5. Удерживая нажатой кнопку управления подачей, надавливайте на стопорную опору, пока она не соприкоснется со стопорным винтом.

- **Рис.10:** 1. Стопорная опора 2. Стопорный винт 3. Кнопка управления подачей

6. Сдвиньте указатель глубиномера так, чтобы он находился на отметке "0" на шкале.

- **Рис.11:** 1. Указатель глубиномера

7. Чтобы настроить глубину резки, потяните вверх стопорную опору, удерживая при этом нажатой кнопку управления подачей.

- **Рис.12:** 1. Стопорная опора 2. Кнопка управления подачей

8. Для точной регулировки глубины резки поверните диск регулировки на стопорной опоре в положение "0".

- **Рис.13:** 1. Регулятор со шкалой

9. Поверните головку стопорной опоры, чтобы настроить необходимую глубину. Чтобы увеличить глубину, поверните головку против часовой стрелки. Чтобы уменьшить глубину, поверните головку по часовой стрелке.

- **Рис.14:** 1. Головка на стопорной опоре

10. Затяните фиксирующую гайку стопорной опоры.

- **Рис.15:** 1. Фиксирующая гайка

11. Отпустите фиксирующий рычаг.

- **Рис.16:** 1. Фиксирующий рычаг

## СБОРКА

**ВНИМАНИЕ:** Перед проведением каких-либо работ с инструментом обязательно убедитесь, что инструмент отключен, а блок аккумулятора снят.

## Установка или снятие фрезы для фрезера

**ПРИМЕЧАНИЕ:** Не затягивайте цанговую гайку, не вставив фрезу. Это может привести к поломке цангового конуса.

Вставьте фрезу до конца в цанговый конус. Надавите на фиксатор вала и затяните цанговую гайку с помощью двух гаечных ключей или гаечковерта. Чтобы снять фрезу, выполните действия по установке в обратной последовательности.

- **Рис.17:** 1. Фиксатор вала 2. Ослабить 3. Затянуть 4. Гаечный ключ 5. Цанговая гайка

- **Рис.18:** 1. Гаечный ключ 2. Ослабить 3. Затянуть 4. Цанговая гайка

**ПРИМЕЧАНИЕ:** Фиксатор вала может не вернуться в исходное положение во время затяжки цанговой гайки в процессе установки фрезы. Фиксатор вала возвращается в исходное положение, когда вы включаете инструмент.

- **Рис.19:** 1. Фиксатор вала



## Установка и снятие основания для фрезера

1. Откройте стопорный рычаг основания для фрезера, затем вставьте инструмент в основание и совместите паз на инструменте с выступом на основании для фрезера.

► **Рис.20:** 1. Стопорный рычаг

**ПРИМЕЧАНИЕ:** В качестве дополнительной принадлежности можно использовать пластмассовое основание для триммера, как показано на рисунке. При использовании пластмассового основания для триммера вместо открытия и закрытия рычага крепления следует ослабить или, соответственно, затянуть накатную гайку.

► **Рис.21:** 1. Накатная гайка

2. Закройте рычаг блокировки.

3. Подсоедините пылесборный патрубок к основанию для фрезера, затем затяните барашковый винт.

► **Рис.22:** 1. Пылесборный патрубок 2. Винт с накатанной головкой

► **Рис.23**

Чтобы снять основание, выполните процедуру установки в обратном порядке.

**⚠ВНИМАНИЕ:** Если вы работаете с инструментом на основании, обязательно устанавливайте пылесборный патрубок именно на основание для фрезера.

## Установка и снятие основания для фрезерования под наклоном

### Дополнительные принадлежности

1. Откройте стопорный рычаг основания для фрезерования под наклоном, затем вставьте инструмент в основание и совместите паз на инструменте с выступом на основании.

► **Рис.24:** 1. Стопорный рычаг

2. Закройте рычаг блокировки.

Чтобы снять основание, выполните процедуру установки в обратном порядке.

## Установка и снятие основания для криволинейного фрезерования

### Дополнительные принадлежности

1. Надавите на фиксатор вала, затем ослабьте цанговую гайку.

► **Рис.25:** 1. Цанговая гайка 2. Фиксатор вала 3. Гаечный ключ

2. Снимите цанговую гайку и цанговый конус.

► **Рис.26:** 1. Цанговая гайка 2. Цанговый конус

3. Установите шкив на инструмент, нажав на фиксатор вала и затянув шкив ключом.

► **Рис.27:** 1. Гаечный ключ 2. Шкив 3. Фиксатор вала

4. Ослабьте винты на плите основания, затем снимите ее.

► **Рис.28:** 1. Плита основания

5. Откройте стопорный рычаг основания для криволинейного фрезерования, затем вставьте инструмент в основание.

► **Рис.29:** 1. Стопорный рычаг

6. Закрепите ремень на шкив, поворачивая ремень вручную.

► **Рис.30:** 1. Шкив 2. Ремень

7. Закройте рычаг блокировки.

► **Рис.31:** 1. Стопорный рычаг

8. Установите плиту основания, затянув винты.

► **Рис.32:** 1. Плита основания

9. Вставьте цанговый конус и фрезу в основание для криволинейного фрезерования, затем затяните цанговую гайку.

► **Рис.33:** 1. Фреза для фрезера 2. Цанговая гайка 3. Цанговый конус

10. Вставьте шестигранный ключ в отверстие основания для криволинейного фрезерования, затем затяните цанговую гайку с помощью гаечного ключа.

► **Рис.34:** 1. Цанговая гайка 2. Гаечный ключ 3. Шестигранный ключ

Чтобы снять основание, выполните процедуру установки в обратном порядке.

**ПРИМЕЧАНИЕ:** Вы также можете закрепить ремень на шкив, не снимая плиту основания, как показано на рисунке.

► **Рис.35:** 1. Шкив 2. Ремень

## Установка и снятие основания для погружного фрезерования

### Дополнительные принадлежности

1. Откройте стопорный рычаг основания для погружного фрезерования, затем вставьте инструмент в основание до упора и совместите паз на инструменте с выступом на основании.

► **Рис.36:** 1. Стопорный рычаг

2. Закройте рычаг блокировки.

Чтобы снять основание, выполните процедуру установки в обратном порядке.

## Установка параллельного упора на основание для погружного фрезерования и его снятие

### Дополнительные принадлежности

Вставьте направляющие в отверстия основания для погружного фрезерования и затяните барашковые болты. Чтобы снять упор, выполните процедуру установки в обратном порядке.

► **Рис.37:** 1. Барашковый болт 2. Пильная шина

## Установка пылесборного патрубка на основание для погружного фрезерования и его снятие

Установите пылесборный патрубок на основание для погружного фрезерования так, чтобы выступ на патрубке был совмещен с пазом на основании. Затем затяните барашковый винт на пылесборном патрубке. Чтобы снять патрубок, выполните процедуру установки в обратном порядке.

► **Рис.38:** 1. Выступ 2. Пылесборный патрубок 3. Винт с накатанной головкой

► **Рис.39**

## ЭКСПЛУАТАЦИЯ

### Работа с инструментом на основании для фрезера

Установите основание инструмента на деталь так, чтобы фреза не касалась детали. Включите инструмент и дождитесь, пока фреза наберет полную скорость. Затем перемещайте инструмент вперед по поверхности обрабатываемой детали. Во время перемещения инструмента основание должно быть заподлицо с обрабатываемой деталью.

При осуществлении резки кромки поверхность обрабатываемой детали должна находиться слева от фрезы в направлении подачи.

► **Рис.40**

**ПРИМЕЧАНИЕ:** Прежде чем переходить к обработке детали, выполните пробную резку. Надлежащая скорость подачи будет зависеть от размера фрезы, типа обрабатываемой детали и глубины резки. Слишком быстрое перемещение инструмента вперед может ухудшить качество резки или повредить фрезу или двигатель. Слишком медленное перемещение инструмента вперед может привести к сжиганию и порче обрабатываемой детали.

При использовании башмака фрезера, прямой направляющей или кромкообрезной направляющей обязательно устанавливайте ее на правой стороне в направлении подачи. Это поможет удерживать ее заподлицо с боковой стороной обрабатываемой детали.

► **Рис.41:** 1. Фреза для фрезера  
2. Обрабатываемая деталь 3. Прямая направляющая

**ПРИМЕЧАНИЕ:** Так как чрезмерная резка может привести к перегрузке двигателя или трудностям в управлении инструментом, глубина резки не должна превышать 3 мм за один проход при резке пазов. Если вы хотите вырезать пазы глубиной более 3 мм, сделайте несколько проходов, постепенно увеличивая глубину резки.

## Использование прямой направляющей

### Дополнительные принадлежности

1. Установите прямую направляющую при помощи болта и барашковой гайки.

► **Рис.42:** 1. Болт 2. Барашковая гайка

2. Закрепите прямую направляющую на основании для фрезера с помощью зажимного винта.

► **Рис.43:** 1. Зажимный винт

3. Ослабьте барашковую гайку на прямой направляющей и отрегулируйте расстояние между фрезой и прямой направляющей. Надежно затяните барашковую гайку, выбрав необходимое расстояние.

► **Рис.44:** 1. Барашковая гайка

4. Перемещайте инструмент, держа прямую направляющую заподлицо с боковой стороной обрабатываемой детали.

► **Рис.45**

Если расстояние (А) между боковой стороной обрабатываемой детали и положением резки слишком широкое для прямой направляющей, или если боковая сторона обрабатываемой детали неровная, прямую направляющую использовать нельзя.

В данном случае надежно закрепите прямую планку на обрабатываемой детали и используйте ее в качестве направляющей для основания фрезера. Подавайте инструмент в направлении стрелки.

► **Рис.46**

### Использование прямой направляющей при круговой резке

Для выполнения круговой резки закрепите прямую направляющую, как показано на рисунке. Минимальный и максимальный радиусы вырезаемых окружностей (расстояние между центром окружности и центром фрезы) следующие:

- Минимальный: 70 мм
- Максимальный: 221 мм

**Для резки окружностей радиусом от 70 мм до 121 мм.**

► **Рис.47:** 1. Центральное отверстие

**Для резки окружностей радиусом от 121 мм до 221 мм.**

► **Рис.48:** 1. Центральное отверстие

**ПРИМЕЧАНИЕ:** С использованием данной направляющей окружности диаметром от 172 до 186 мм вырезать нельзя.

Совместите центральное отверстие в прямой направляющей с центром вырезаемой окружности. Вставьте гвоздь диаметром до 6 мм в центральное отверстие для закрепления прямой направляющей. Поверните инструмент вокруг гвоздя по часовой стрелке.

► **Рис.49:** 1. Гвоздь 2. Центральное отверстие

## Использование профильной направляющей

### Дополнительные принадлежности

Профильная направляющая позволяет выполнять идентичные резы с помощью профиля.

1. Ослабьте винты на плите основания, затем снимите плиту основания с основания фрезера.
  2. Установите профильную направляющую на основание, затем закрепите плиту основания, затянув винты.
- **Рис.50:** 1. Плита основания 2. Профильная направляющая
3. Установите инструмент на профиль и перемещайте его, продвигая профильную направляющую вдоль боковой стороны профиля.

► **Рис.51**

**ПРИМЕЧАНИЕ:** Фактический размер реза на обрабатываемой детали незначительно отличается от размера профиля. Разница не превышает расстояния (X) между фрезой и внешней стороной профильной направляющей. Расстояние (X) можно вычислить при помощи следующего уравнения:

Расстояние (X) = (наружный диаметр профильной направляющей - диаметр фрезы) / 2

- **Рис.52:** 1. Фреза для фрезера 2. Профильная направляющая 3. Расстояние (X) 4. Внешний диаметр профильной направляющей

## Использование кромкообрезной направляющей

### Дополнительные принадлежности

Кромкообрезная направляющая позволяет резать фигурные кромки, например, для мебели, перемещая направляющий ролик вдоль боковой стороны обрабатываемой детали.

► **Рис.53**

1. Ослабьте зажимной винт, затем установите кромкообрезную направляющую на основание и затяните зажимной винт.
- **Рис.54:** 1. Зажимной винт
2. Ослабьте зажимной винт и отрегулируйте зазор между фрезой и кромкообрезной направляющей, повернув регулировочный винт (1 мм на оборот). Отрегулировав необходимый зазор, затяните зажимной винт, чтобы зафиксировать кромкообрезную направляющую.
- **Рис.55:** 1. Регулировочный винт 2. Зажимной винт
3. Перемещайте инструмент так, чтобы направляющий ролик перемещался по боковой стороне обрабатываемой детали.
- **Рис.56:** 1. Обрабатываемая деталь 2. Сверло 3. Направляющий ролик

## Работа с инструментом на основании для фрезерования под наклоном

Основание для фрезерования под наклоном удобно для снятия фаски. Ослабьте барашковые винты, затем наклоните инструмент до нужного угла и затяните барашковые винты.

Надежно зажмите на детали прямую планку и используйте ее в качестве направляющей для основания для фрезерования под наклоном. Подавайте инструмент в направлении стрелки.

► **Рис.57:** 1. Барашковый винт

## Использование плиты основания для фрезерования под наклоном на основании для фрезера

Чтобы использовать основание фрезера с квадратной плитой, снимите плиту с основания для фрезерования под наклоном и установите на основание для фрезера.

► **Рис.58:** 1. Плита основания для фрезерования под наклоном 2. Плита основания для фрезера

## Работа с инструментом на основании для криволинейного фрезерования

Основание для криволинейного фрезерования удобно для работы в ограниченном пространстве, например, в углу.

► **Рис.59**

## Использование основания для фрезера с плитой основания для криволинейного фрезерования и рукояткой

Плиту основания для криволинейного фрезерования можно также использовать с основанием для фрезера и рукояткой (поставляется отдельно) для обеспечения большей устойчивости.

1. Ослабьте винты на плите основания, затем снимите плиту основания с основания для криволинейного фрезерования.

► **Рис.60:** 1. Плита основания для криволинейного фрезерования 2. Плита основания для фрезера

2. Присоедините плиту основания для криволинейного фрезерования к основанию фрезера, затянув винты.

3. Присоедините крепление рукоятки и стержневую рукоятку к плите основания для криволинейного фрезерования, затянув винты.

► **Рис.61:** 1. Стержневая рукоятка 2. Крепление рукоятки

Круглая рукоятка, снятая с основания для погружного фрезерования, может быть установлена на основание для криволинейного фрезерования вместо стержневой рукоятки.

► **Рис.62:** 1. Винт 2. Круглая рукоятка

## Работа с инструментом на основании для погружного фрезерования

При работе крепко держите инструмент за рукоятки обеими руками. Работайте с инструментом так же, как с инструментом на основании для фрезера.

### Использование прямой направляющей

#### Дополнительные принадлежности

1. Установите прямую направляющую на держатель с помощью барашковой гайки. Вставьте держатель направляющей в отверстия основания для погружного фрезерования и затяните барашковые болты.

► **Рис.63:** 1. Барашковый болт 2. Держатель направляющей 3. Барашковая гайка 4. Прямая направляющая

2. Ослабьте барашковую гайку на прямой направляющей и отрегулируйте расстояние между фрезой и прямой направляющей. Надежно затяните барашковую гайку, выбрав необходимое расстояние.

► **Рис.64:** 1. Барашковая гайка

3. Работайте с инструментом так же, как с прямой направляющей на основании для фрезера.

► **Рис.65**

### Использование профильной направляющей

#### Дополнительные принадлежности

1. Ослабьте винты на основании и снимите их. Установите профильную направляющую на основание и затяните винты.

► **Рис.66:** 1. Винт 2. Профильная направляющая

2. Работайте с инструментом так же, как с профильной направляющей на основании для фрезера.

► **Рис.67**

### Использование параллельного упора

Параллельный упор эффективно используется для осуществления прямых вырезов при снятии фасок или резке пазов. Отрегулируйте зазор между фрезой и параллельным упором. Установив необходимое расстояние, затяните барашковые болты для закрепления параллельного упора. При резке перемещайте инструмент, держа параллельный упор задолго с боковой стороны обрабатываемой детали.

► **Рис.68**

Если расстояние (А) между боковой стороной обрабатываемой детали и положением резки слишком широкое для параллельного упора, или если боковая сторона обрабатываемой детали неровная, параллельный упор использовать нельзя.

В данном случае, надежно закрепите прямую планку на обрабатываемой детали и используйте ее в качестве направляющей для основания для погружного фрезерования. Подавайте инструмент в направлении стрелки.

► **Рис.69**

## Замена круглой рукоятки на стержневую

Чтобы установить стержневую рукоятку на основание для погружного фрезерования, ослабьте винты крепления круглой рукоятки, снимите круглую рукоятку, установите стержневую рукоятку и затяните ее.

► **Рис.70:** 1. Круглая рукоятка 2. Винт 3. Стержневая рукоятка

## ОБСЛУЖИВАНИЕ

**▲ВНИМАНИЕ:** Перед проведением проверки или работ по техобслуживанию всегда проверяйте, что инструмент выключен, а блок аккумуляторов снят.

**ПРИМЕЧАНИЕ:** Запрещается использовать бензин, растворители, спирт и другие подобные жидкости. Это может привести к обесцвечиванию, деформации и трещинам.

Для обеспечения БЕЗОПАСНОСТИ и НАДЕЖНОСТИ оборудования ремонт, любое другое техобслуживание или регулировку необходимо производить в уполномоченных сервис-центрах Makita или сервис-центрах предприятия с использованием только сменных частей производства Makita.

## ДОПОЛНИТЕЛЬНЫЕ ПРИНАДЛЕЖНОСТИ

**▲ВНИМАНИЕ:** Данные принадлежности или приспособления рекомендуются для использования с инструментом Makita, указанным в настоящем руководстве. Использование других принадлежностей или приспособлений может привести к получению травмы. Используйте принадлежность или приспособление только по указанному назначению.

Если вам необходимо содействие в получении дополнительной информации по этим принадлежностям, свяжитесь с вашим сервис-центром Makita.

- Фрезы для прямых и криволинейных пазов
- Фрезы для образования кромок
- Фрезы для резки многослойных кромок
- Блок прямой направляющей
- Блок кромкообрезной направляющей
- Комплект основания для фрезера
- Комплект основания для триммера (пластмасса)
- Комплект основания для фрезерования под наклоном
- Комплект основания для погружного фрезерования
- Комплект основания для криволинейного фрезерования
- Крепление рукоятки

- Профильная направляющая
- Цанговый конус 6 мм
- Цанговый конус 6,35 мм (1/4 дюйма)
- Цанговый конус 8 мм
- Цанговый конус 9,53 мм (3/8 дюйма)
- Гаечный ключ 13
- Гаечный ключ 22
- Оригинальный аккумулятор и зарядное устройство Makita

**ПРИМЕЧАНИЕ:** Некоторые элементы списка могут входить в комплект инструмента в качестве стандартных приспособлений. Они могут отличаться в зависимости от страны.

## Фрезы

### Прямая фреза

► Рис.71

	D	A	L1	L2
20	6	20	50	15
20E	1/4 дюйма			
8	8	8	60	25
8	6		50	18
8E	1/4 дюйма			
6	6	6	50	18
6E	1/4 дюйма			

Единица: мм

### U-образная фреза

► Рис.72

	D	A	L1	L2	R
6	6	6	50	18	3
6E	1/4 дюйма				

Единица: мм

### V-образная фреза

► Рис.73

D	A	L1	L2	θ
1/4 дюйма	20	50	15	90°

Единица: мм

### Фреза для обрезки кромок точек сверления заподлицо

► Рис.74

	D	A	L1	L2	L3
8	8	8	60	20	35
6	6	6		18	28
6E	1/4 дюйма				

Единица: мм

### Фреза для двойной обрезки кромок точек сверления заподлицо

► Рис.75

	D	A	L1	L2	L3	L4
8	8	8	80	95	20	25
6	6	6	70	40	12	14
6E	1/4 дюйма					

Единица: мм

### Фреза для закругления углов

► Рис.76

	D	A1	A2	L1	L2	L3	R
8R	6	25	9	48	13	5	8
8RE	1/4 дюйма						
4R	6	20	8	45	10	4	4
4RE	1/4 дюйма						

Единица: мм

### Фреза для снятия фасок

► Рис.77

D	A	L1	L2	L3	θ
6	23	46	11	6	30°
6	20	50	13	5	45°
6	20	49	14	2	60°

Единица: мм

### Фреза для выкружки

► Рис.78

D	A	L1	L2	R
6	20	43	8	4
6	25	48	13	8

Единица: мм

### Подшипниковая фреза для обрезки кромок заподлицо

► Рис.79

D	A	L1	L2
6	10	50	20
1/4 дюйма			

Единица: мм

### Подшипниковая фреза для закругления углов

► Рис.80

D	A1	A2	L1	L2	L3	R
6	15	8	37	7	3,5	3
6	21		40	10		
1/4 дюйма						

Единица: мм

**Подшипниковая фреза для снятия фасок****► Рис.81**

D	A1	A2	L1	L2	θ
6	26	8	42	12	45°
1/4 дюйма					
6	20		41	11	60°

Единица: мм

**Подшипниковая фреза для забортовки****► Рис.82**

D	A1	A2	A3	L1	L2	L3	R
6	20	12	8	40	10	5,5	4
6	26			42	12	4,5	7

Единица: мм

**Подшипниковая фреза для выкружки****► Рис.83**

D	A1	A2	A3	A4	L1	L2	L3	R
6	20	18	12	8	40	10	5,5	3
6	26	22			42	12	5	5

Единица: мм

**Подшипниковая фреза для S-образного профиля****► Рис.84**

D	A1	A2	L1	L2	L3	R1	R2
6	20	8	40	10	4,5	2,5	4,5
6	26		42	12		3	6

Единица: мм



**Makita Europe N.V.** Jan-Baptist Vinkstraat 2,  
3070 Kortenberg, Belgium

**Makita Corporation** 3-11-8, Sumiyoshi-cho,  
Anjo, Aichi 446-8502 Japan

[www.makita.com](http://www.makita.com)

885585D980  
EN, SV, NO, FI, LV,  
LT, ET, RU  
20170906